

[54] BEVERAGE CUP

D. 307,089 4/1990 Lage ..... D7/536

[75] Inventor: David P. Lage, St. Louis County, Mo.

OTHER PUBLICATIONS

*Bloomington's It Takes a Smart Cookie to Make a Great Sheet-Catalog*, Apr. 12, 1978, p. 17, panels ¶7, #8-Earthenware Mugs.

[73] Assignee: Quick Point, Inc., Fenton, Mo.

Primary Examiner—Winifred E. Herrmann  
Attorney, Agent, or Firm—Gravely, Lieder & Woodruff

[\*\*] Term: 14 Years

[21] Appl. No.: 234,289

[57] CLAIM

The ornamental design for a beverage cup, as shown.

[22] Filed: Aug. 19, 1988

[52] U.S. Cl. .... D7/536

[58] Field of Search ..... 220/94 A; 215/100 A, 215/100 R; D7/507, 509-521, 533-536, 622, 396.2, 394

DESCRIPTION

FIG. 1 is a top, front and right side perspective view of a beverage cup showing my new design;  
FIG. 2 is a top plan view thereof;  
FIG. 3 is a bottom plan view thereof;  
FIG. 4 is a right side elevational view thereof;  
FIG. 5 is a left side elevational view thereof; and  
FIG. 6 is a sectional view thereof taken on line 6—6 of FIG. 4.

[56] References Cited

U.S. PATENT DOCUMENTS

- D. 8,290 4/1875 Miller ..... D7/536
- D. 192,174 2/1962 Trombley ..... D7/536
- D. 249,316 9/1978 Tyska et al. .... D7/536

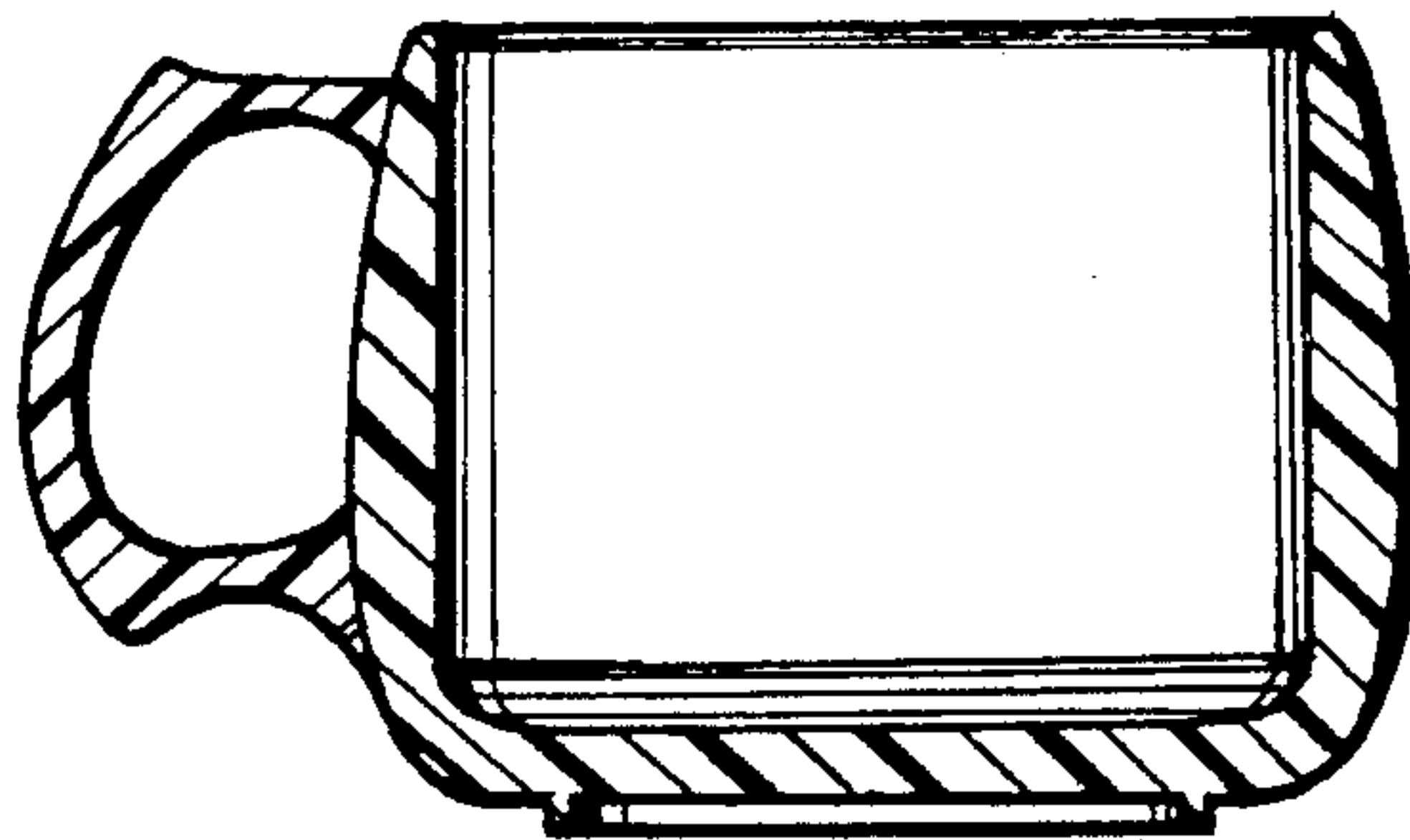
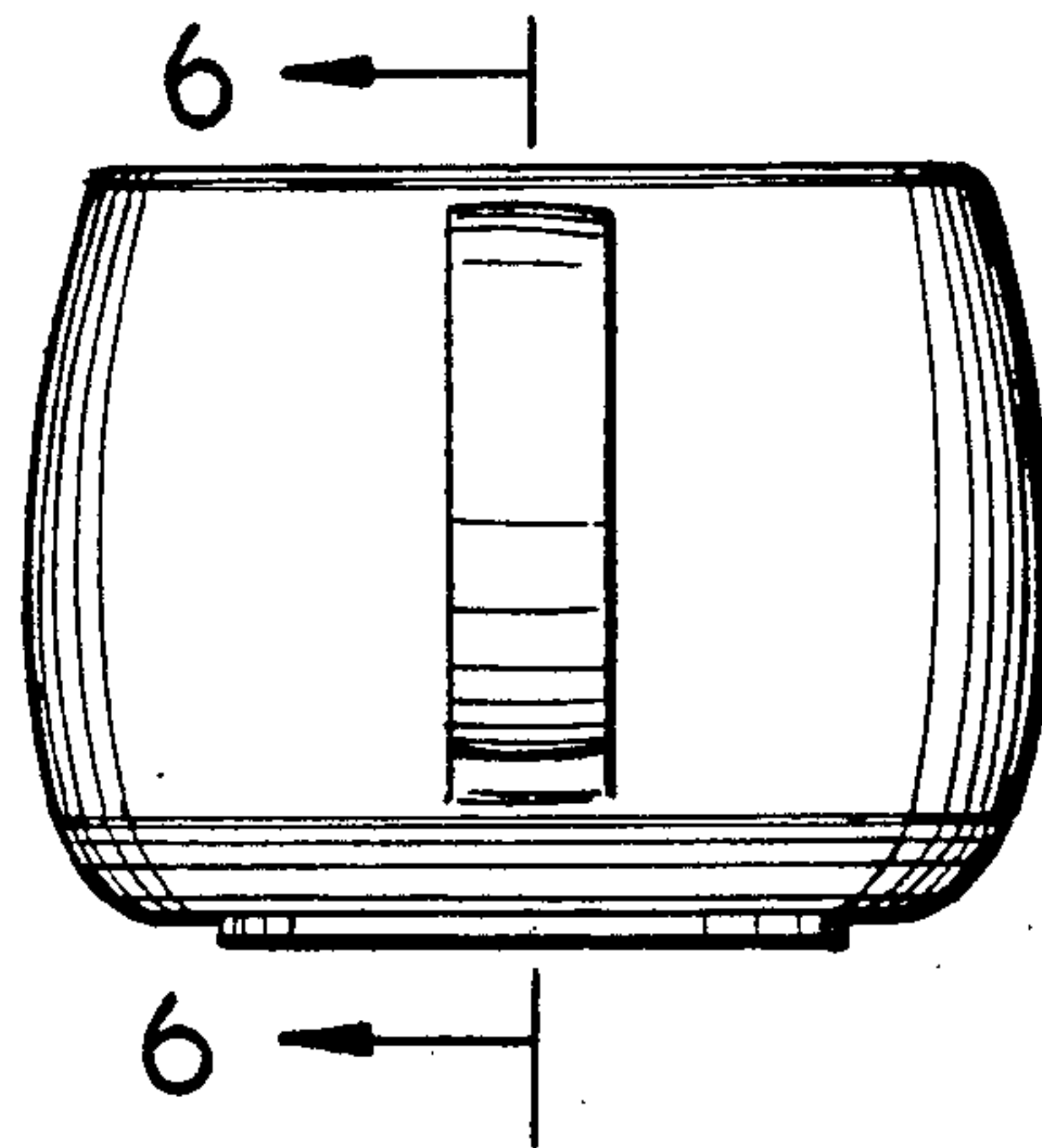


FIG. 1

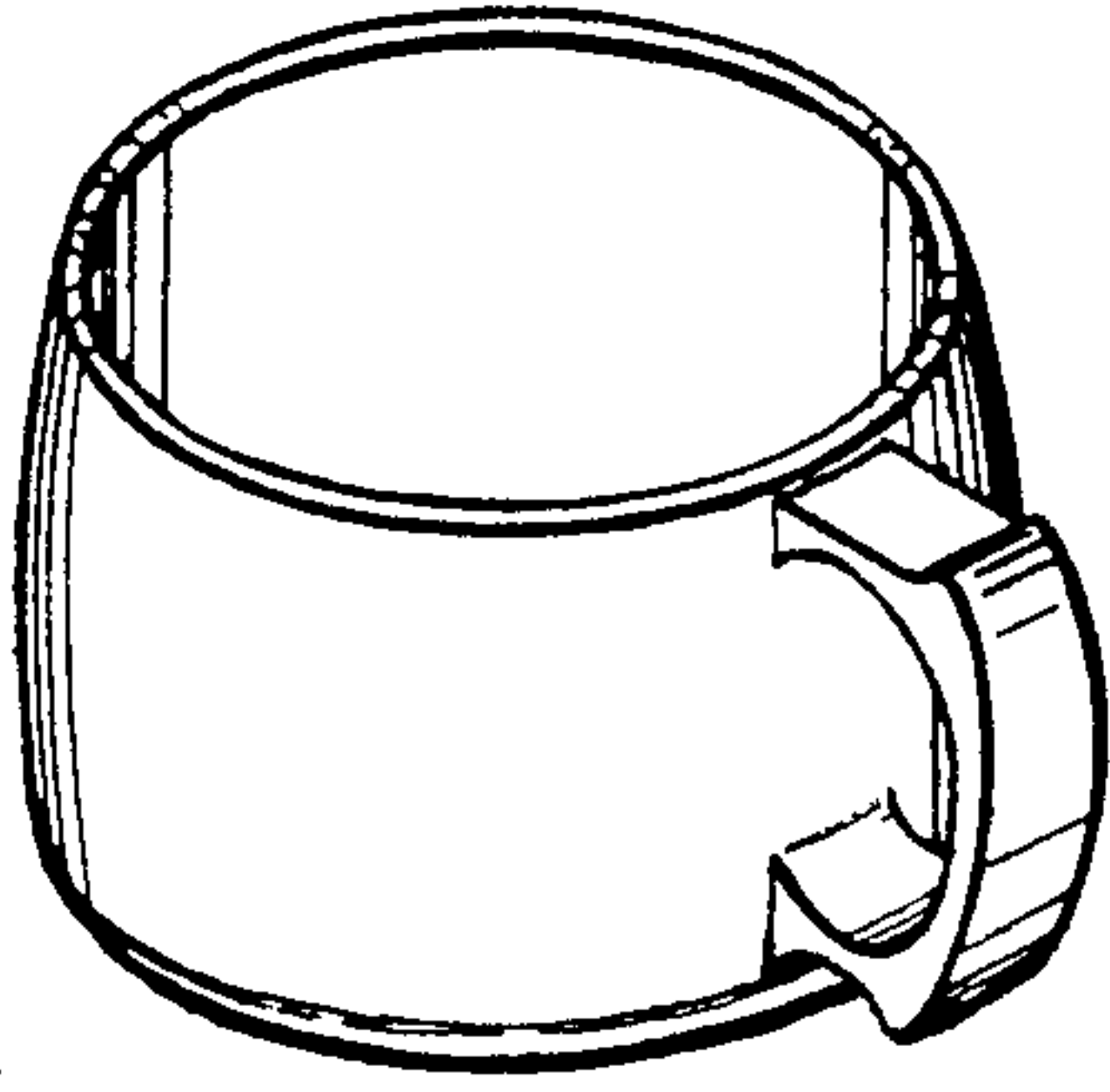


FIG. 2

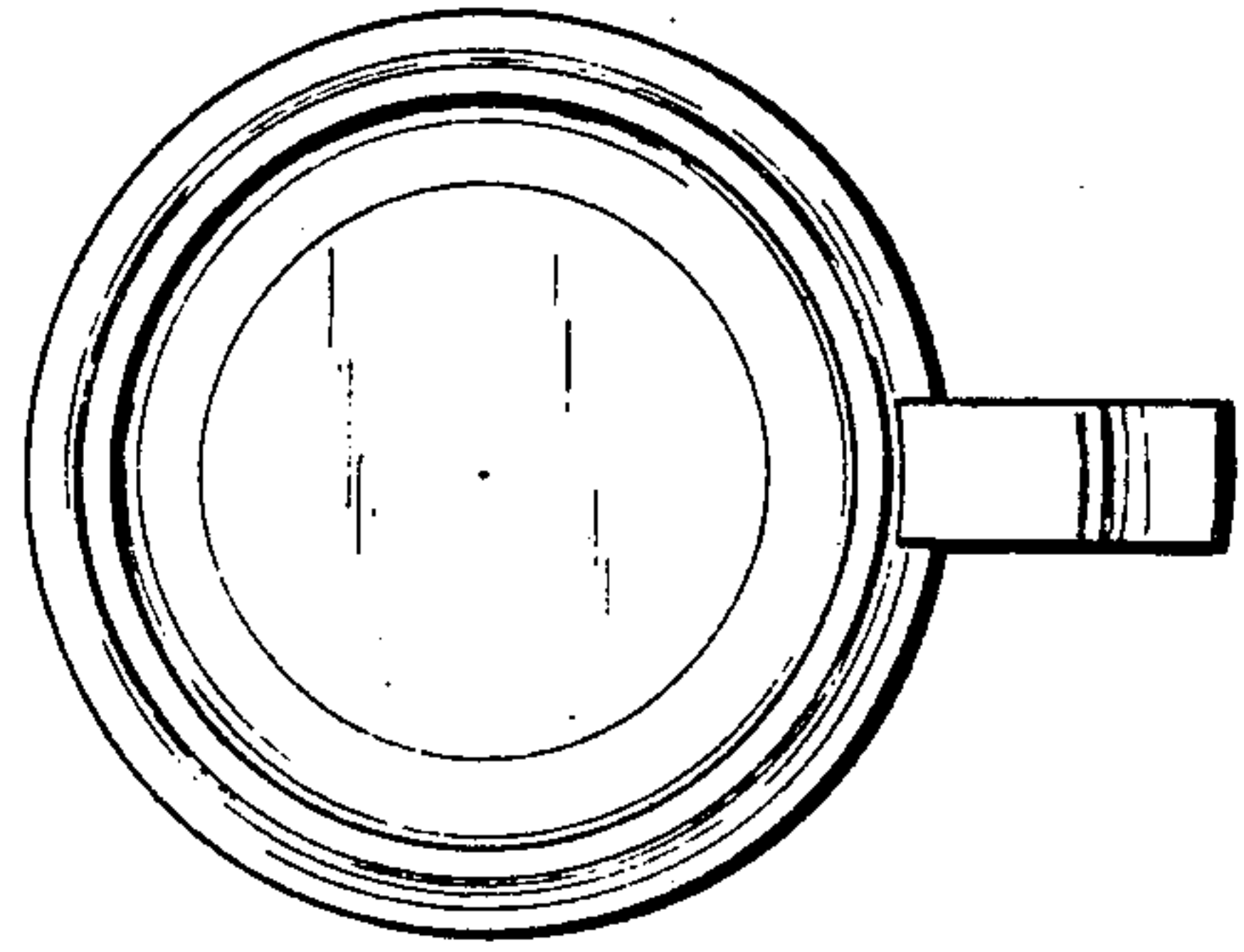


FIG. 3

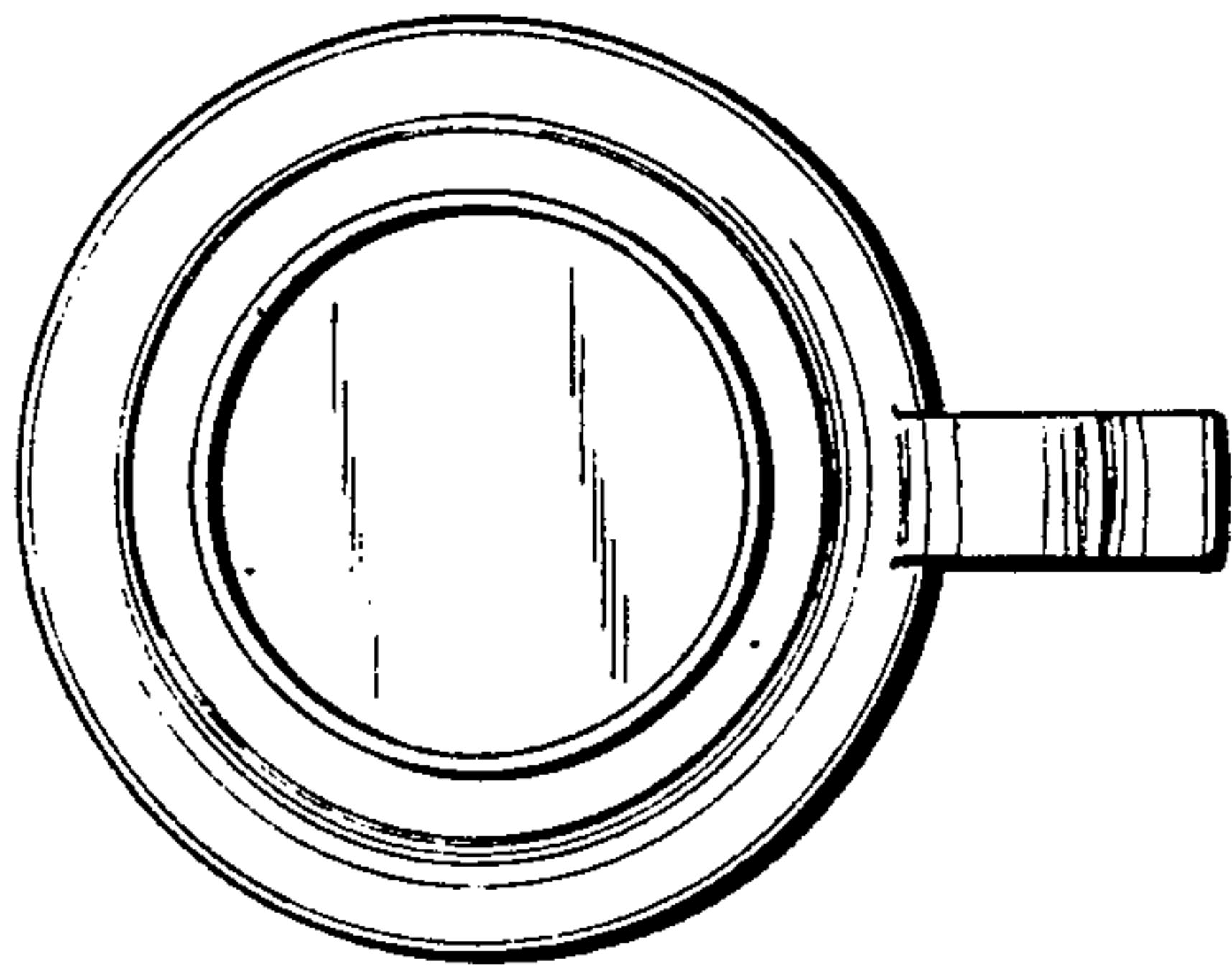


FIG. 4

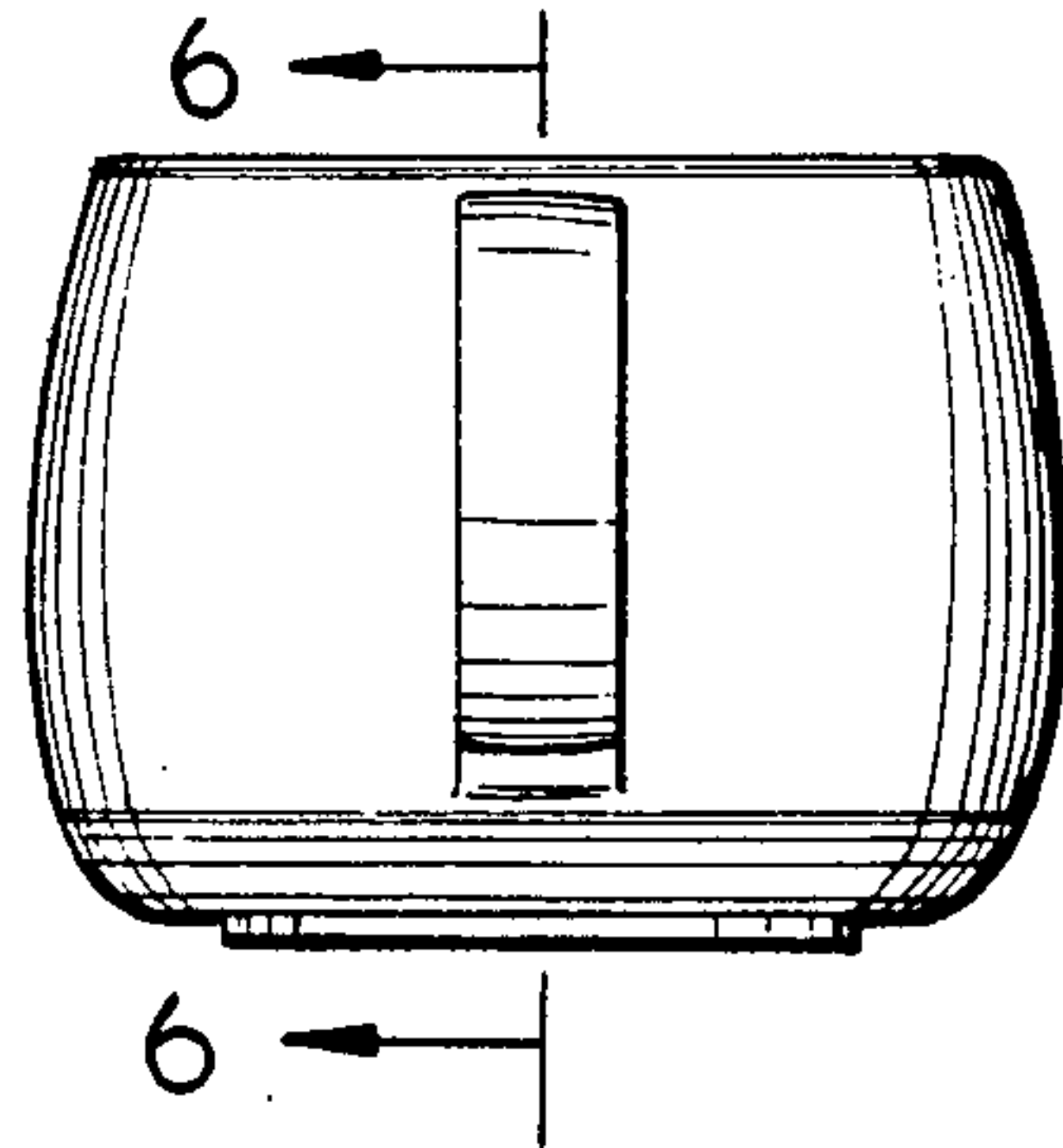


FIG. 5

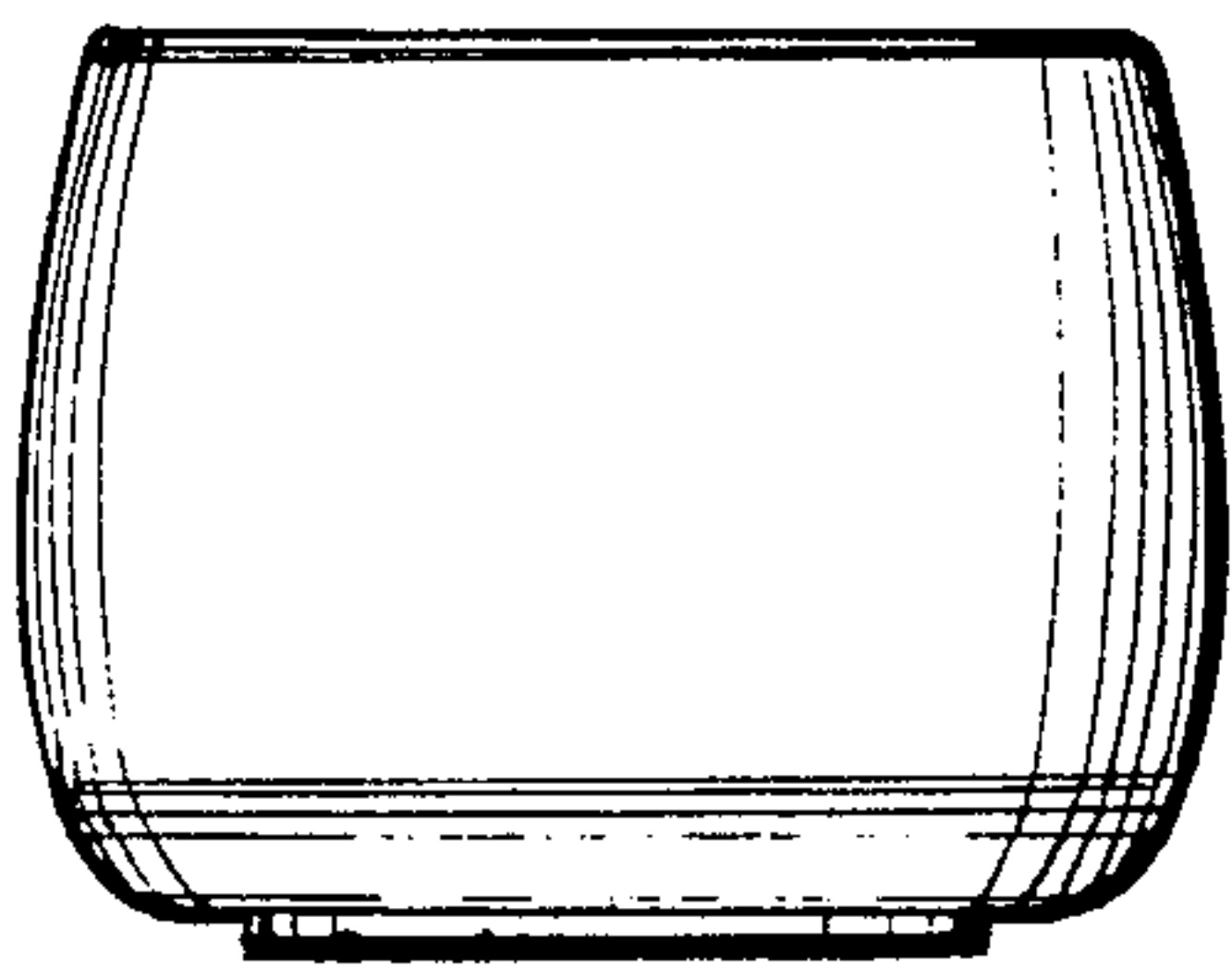


FIG. 6

