

[54] DISPENSER FOR LIQUID FOOD

[76] Inventor: Leif E. Stern, Fattershus, Lund, Sweden, S-225 90

[**] Term: 14 Years

[21] Appl. No.: 246,643

[22] Filed: Sep. 20, 1988

[30] Foreign Application Priority Data

Mar. 21, 1988 [SE] Sweden 88-0719

[52] U.S. Cl. D7/313; D7/312; D7/590; D9/403

[58] Field of Search D9/300, 301, 401, 403, D9/413; D7/305, 313, 300, 312, 590

[56] References Cited

U.S. PATENT DOCUMENTS

- D. 224,882 10/1972 Alpern D9/300
- D. 249,948 10/1978 Brutsman D7/313
- D. 308,801 6/1990 Stern D7/590

OTHER PUBLICATIONS

Server Products, Inc., Jun. 23, 1978, p. 3, Hot Fudge Dispenser "LFSP #81300" bottom r.

Server Products, Inc., Jun. 23, 1978, p. 4, Condiment Serving Station, bottom l. "55 #67000" Square Dispensing Wells/Pumps.

Primary Examiner—7

Assistant Examiner—Winifred E. Herrmann

Attorney, Agent, or Firm—Foley & Lardner

[57] CLAIM

The ornamental design for a dispenser for liquid food, as shown and described.

DESCRIPTION

FIG. 1 is a right side elevational view of a dispenser for liquid food showing my new design;
 FIG. 2 is a rear elevational view;
 FIG. 3 is a left side elevational view;
 FIG. 4 is a front elevational view;
 FIG. 5 is a top plan view;
 FIG. 6 is a bottom plan view;
 FIG. 7 is a top and rear perspective view; and
 FIG. 8 is a bottom and front perspective view thereof.

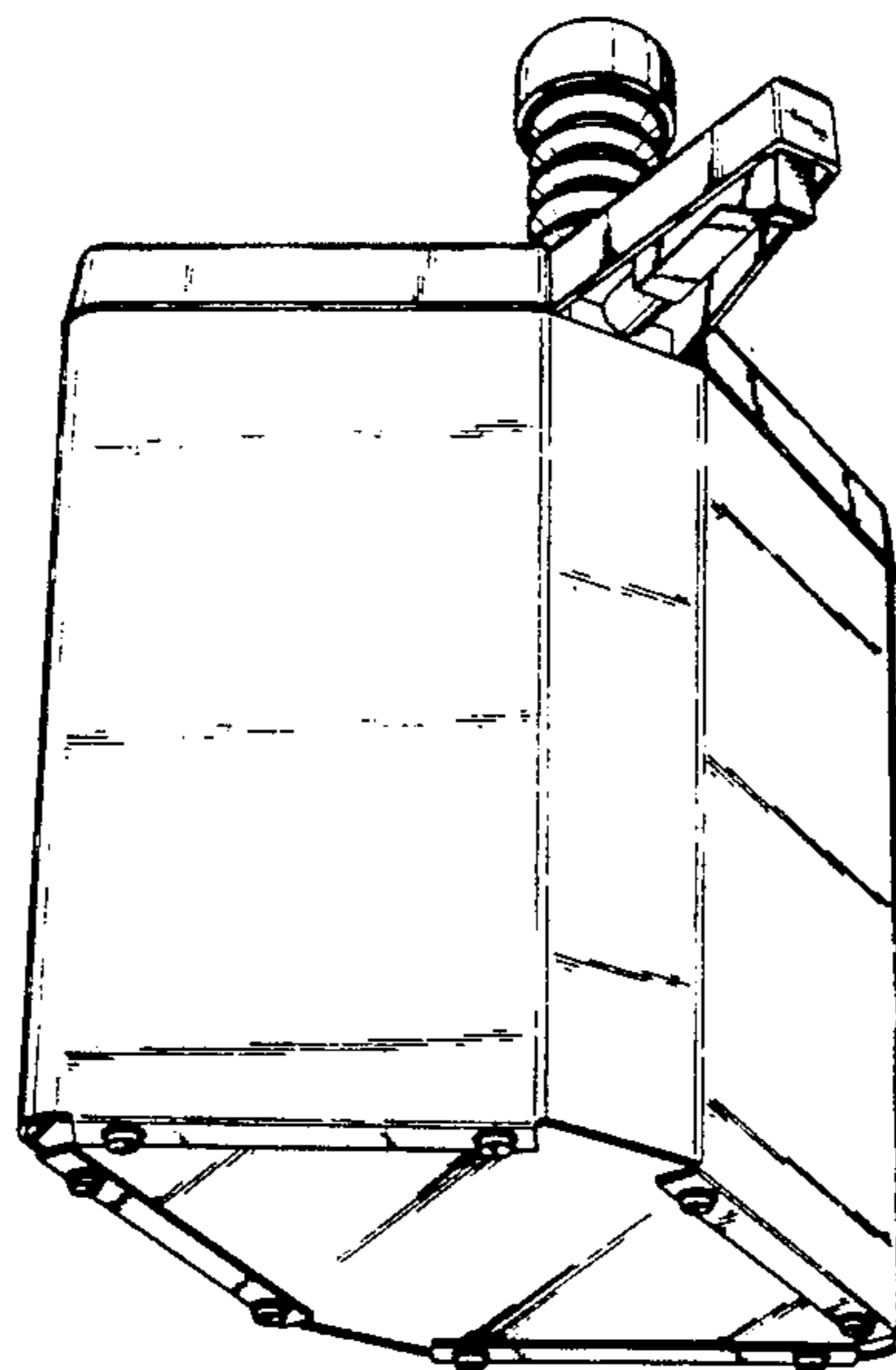
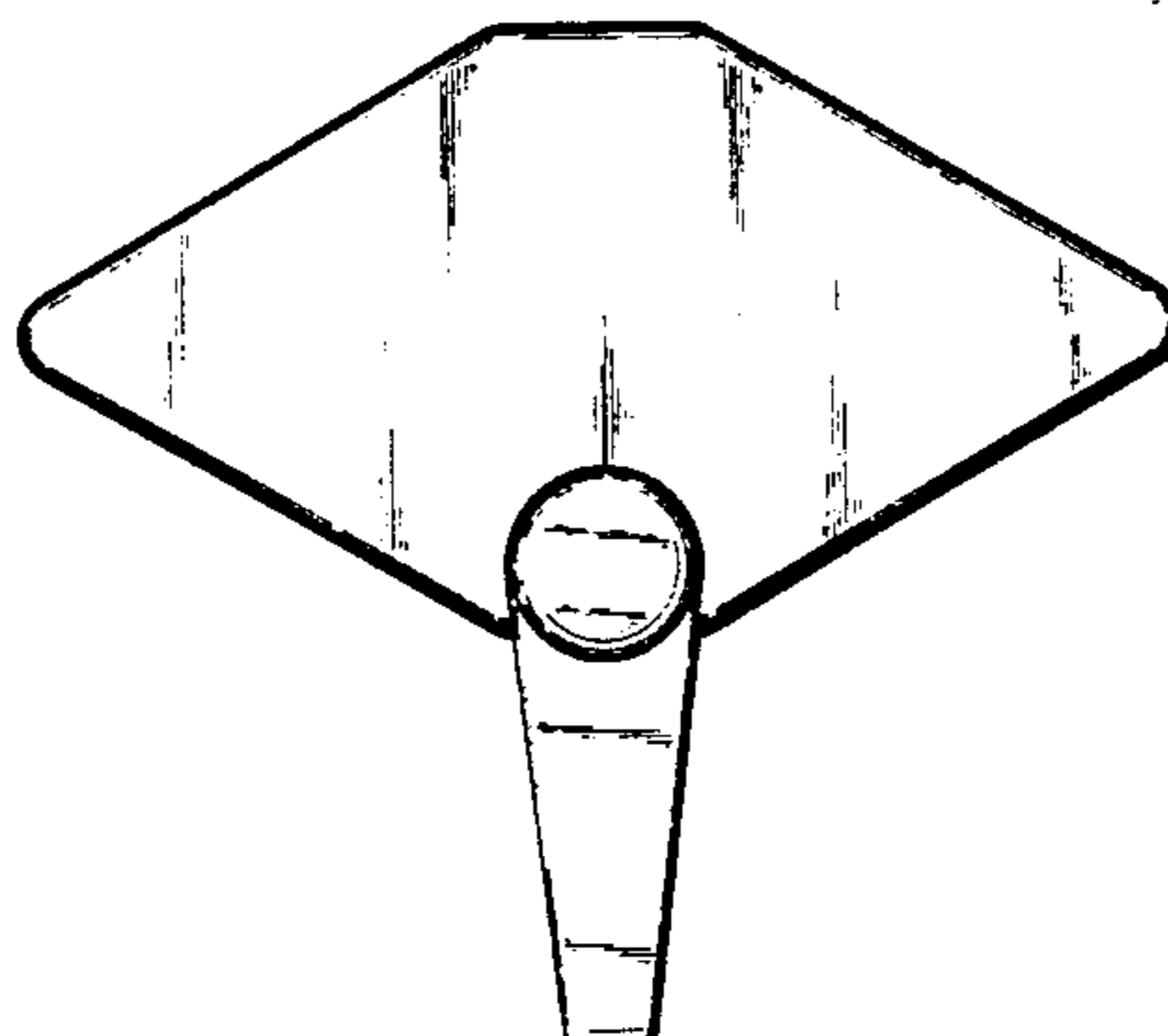


Fig. 1

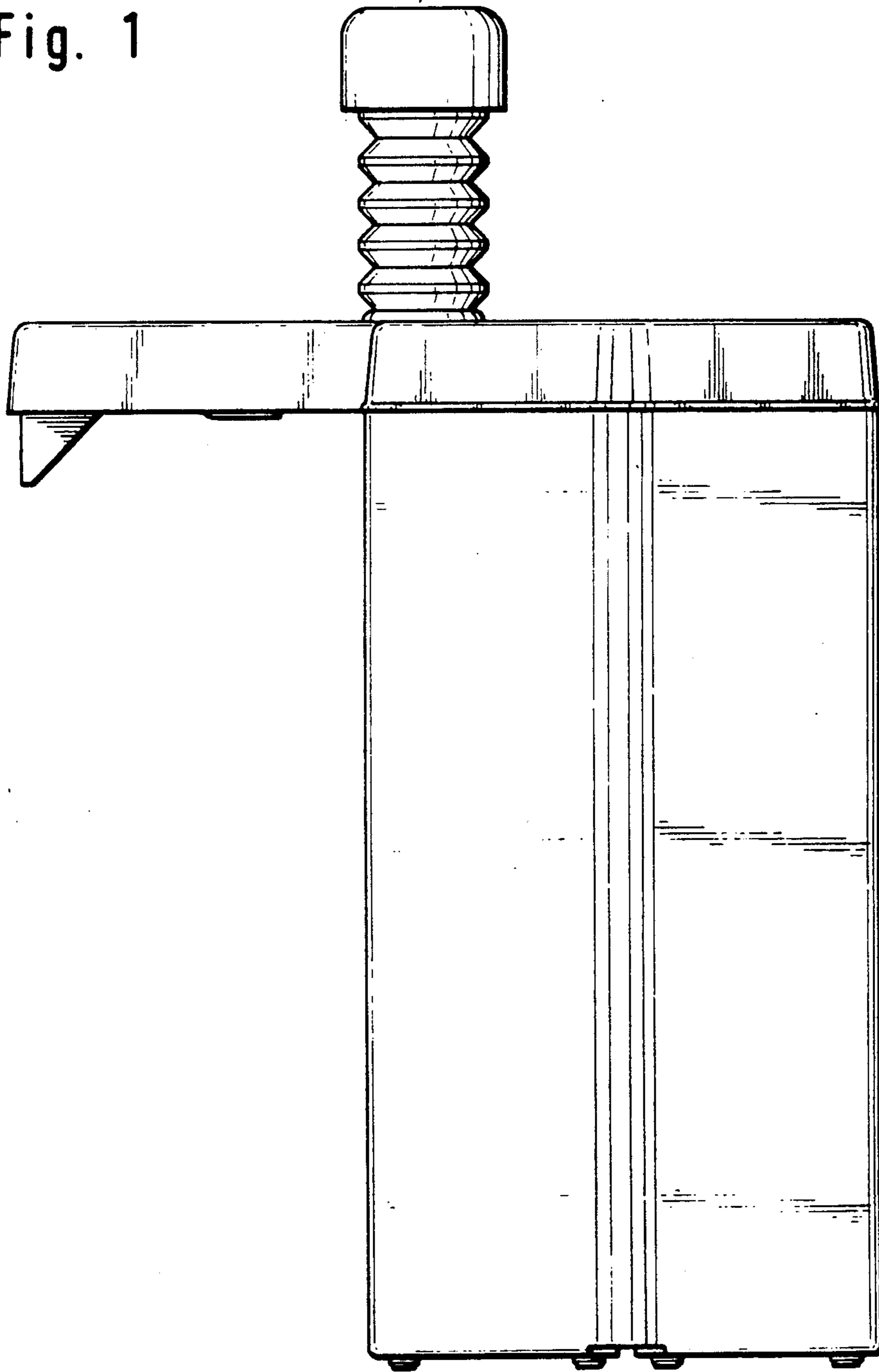


Fig. 2

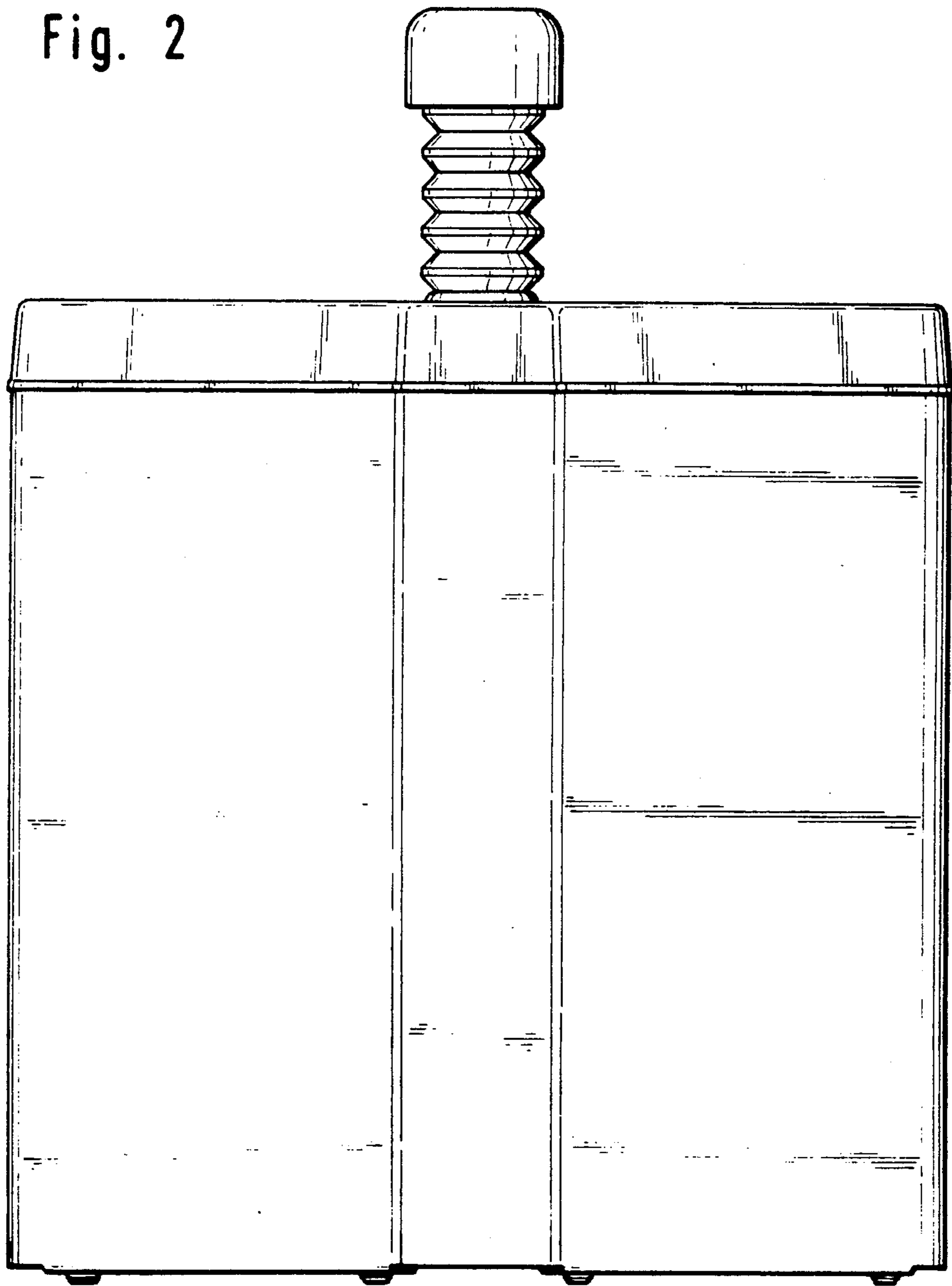


Fig. 3

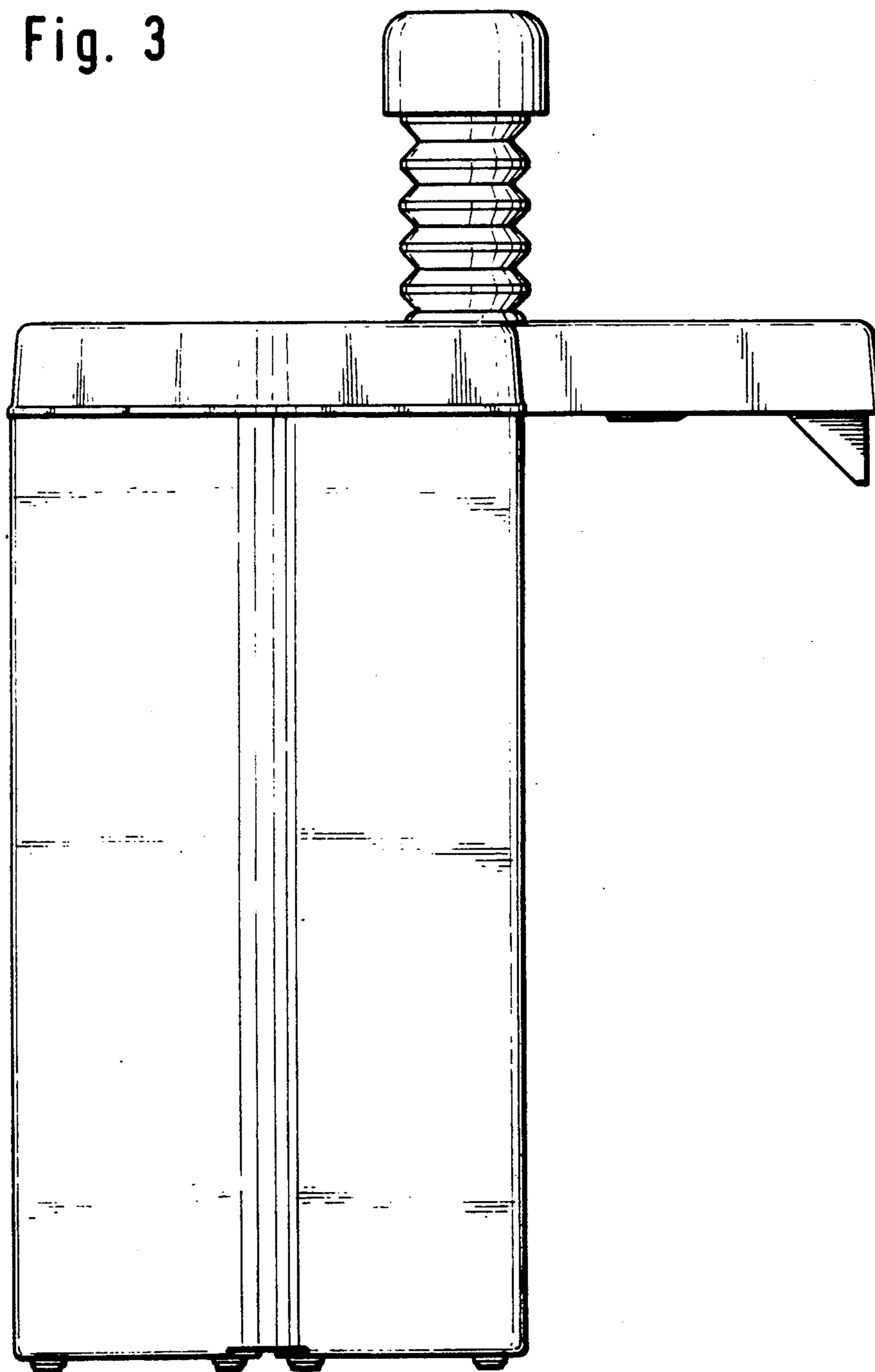


Fig. 4

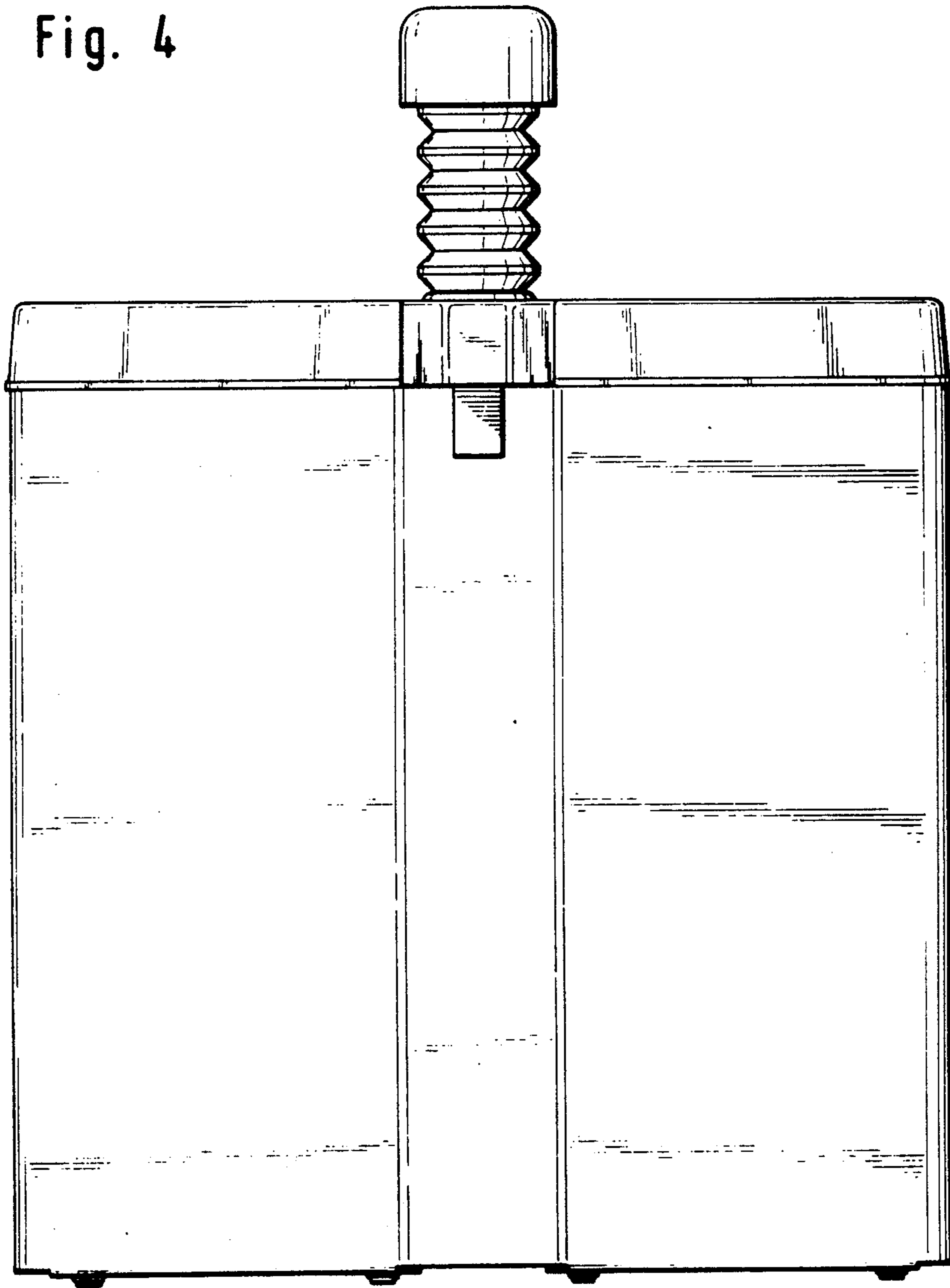


Fig. 5

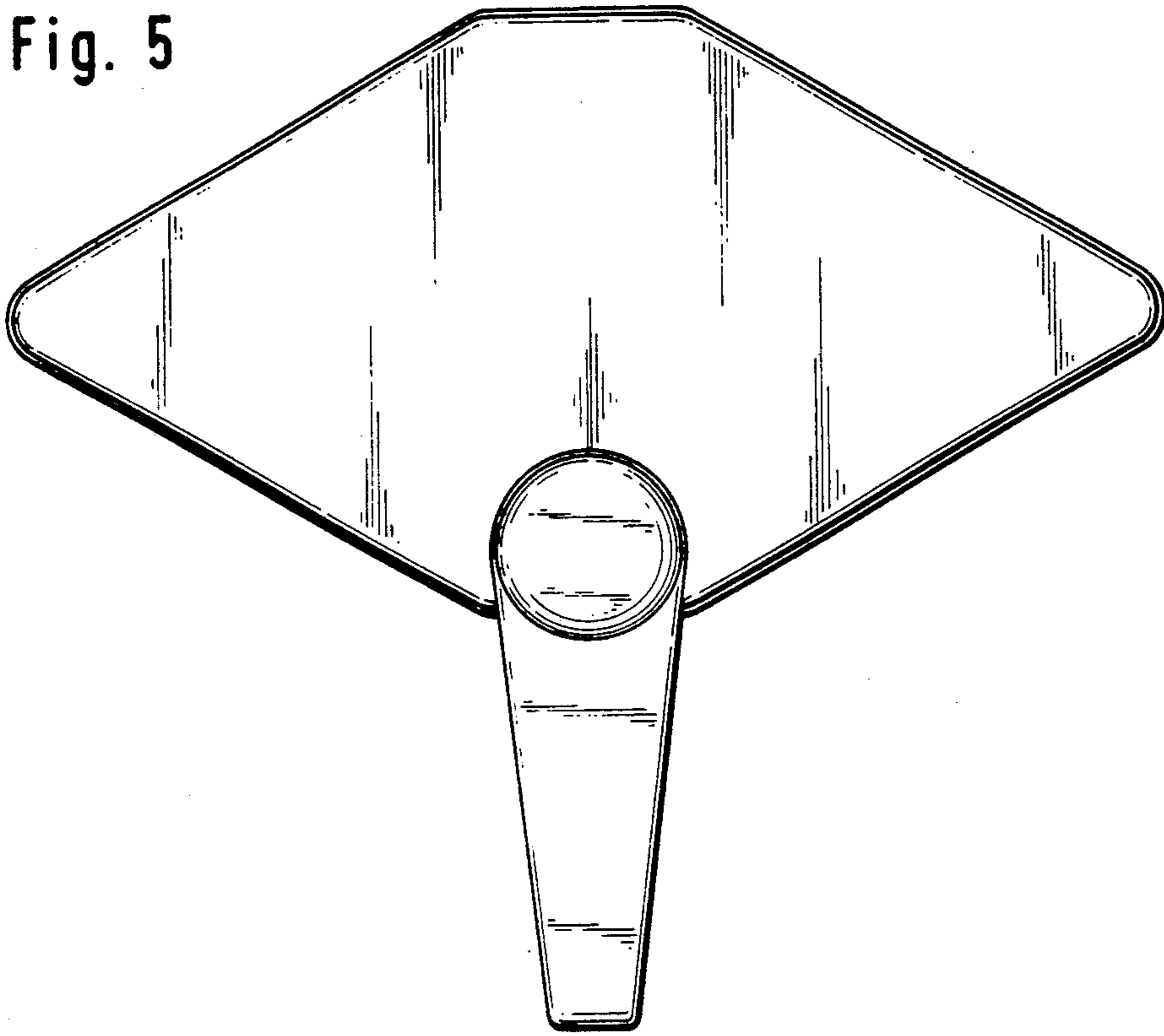


Fig. 6

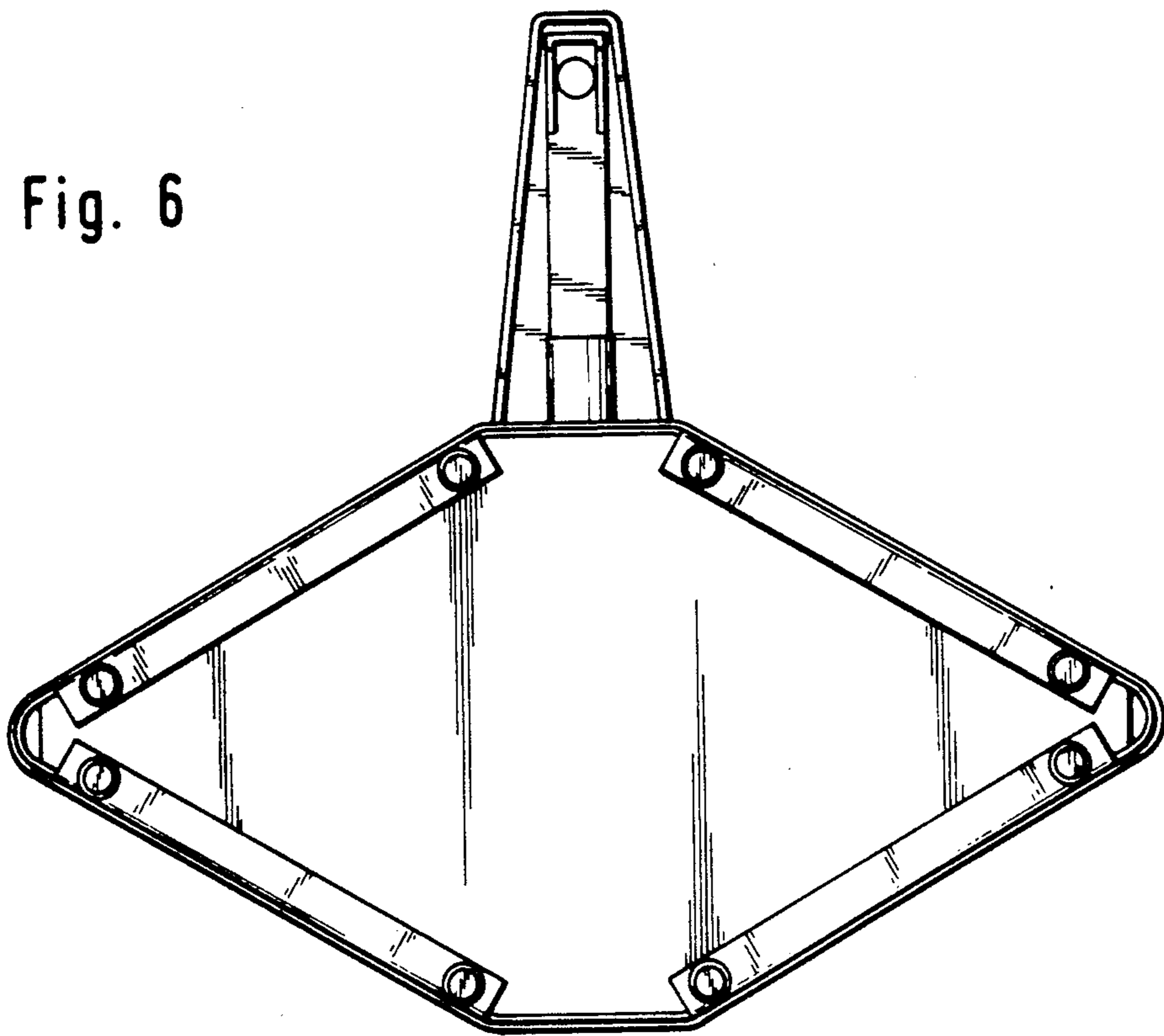


Fig. 7

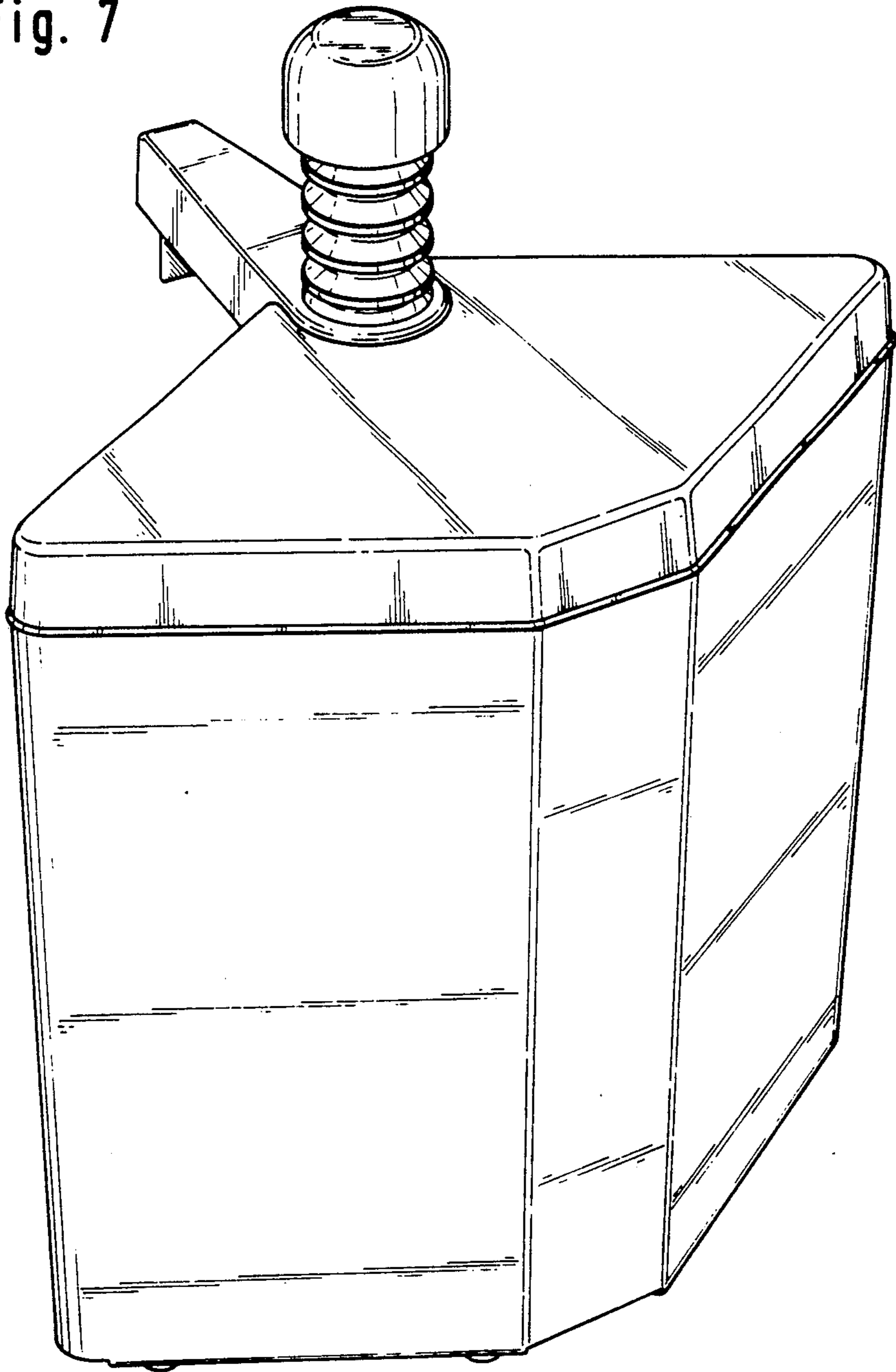


Fig. 8

