

[54] ROLLUP FOR TOOTHPASTE TUBES OR THE LIKE

2,903,162 9/1959 Regan ..... D6/541 X  
4,010,873 3/1977 Mardirossian ..... D6/541 X

[76] Inventor: William A. Curtis, 704 W. Pine St., Stillwater, Minn. 55082

Primary Examiner—Wallace R. Burke  
Assistant Examiner—Brian N. Vinson  
Attorney, Agent, or Firm—Douglas L. Tschida

[\*\*] Term: 14 Years

[57] CLAIM

[21] Appl. No.: 303,404

The ornamental design for a rollup for toothpaste tubes or the like, as shown and described.

[22] Filed: Jan. 30, 1989

[52] U.S. Cl. .... D6/541

[58] Field of Search ..... D6/541; 206/277; 222/95-96, 98-99, 101, 103

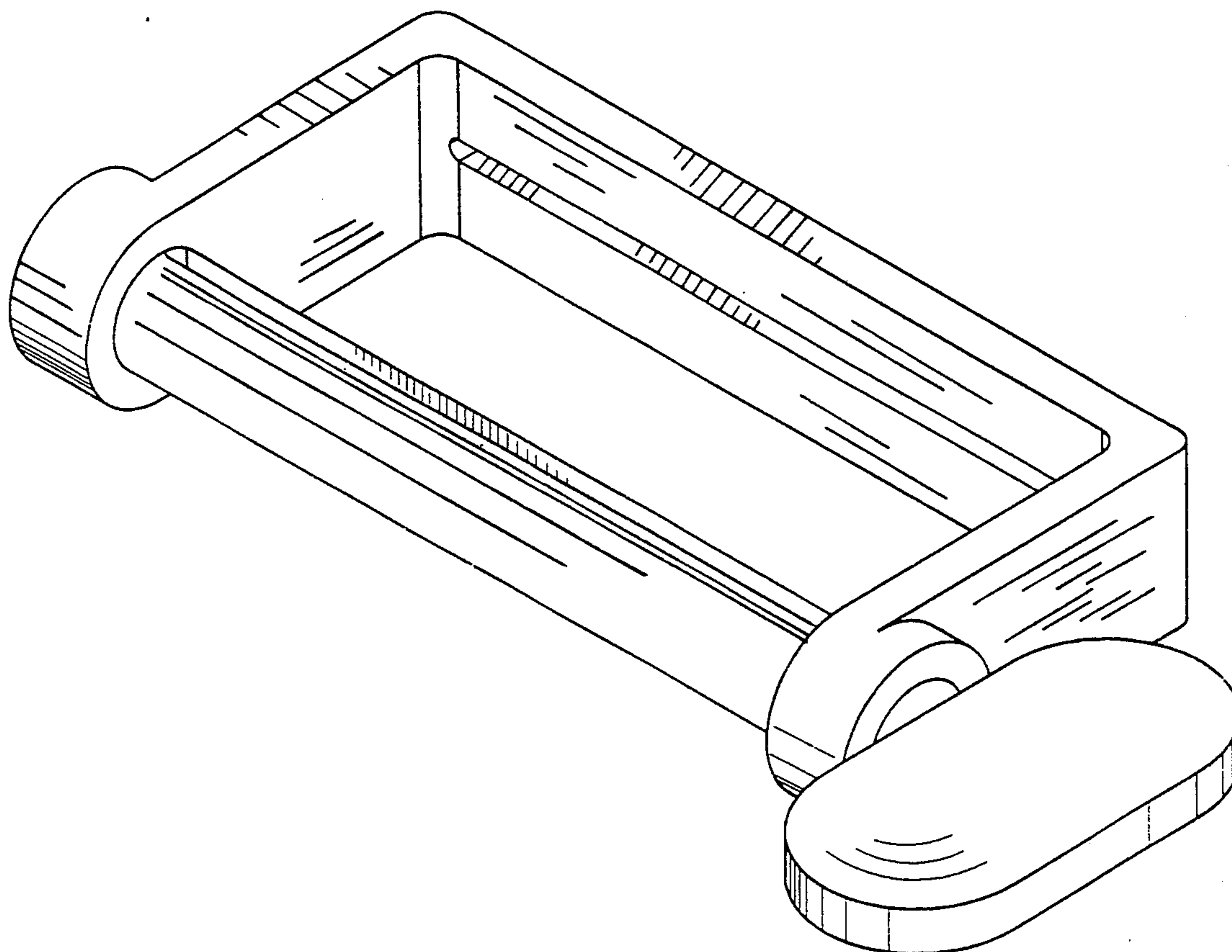
DESCRIPTION

FIG. 1 is a perspective view of a rollup for toothpaste tubes or the like showing my new design; FIG. 2 is a front elevational view thereof; FIG. 3 is a rear elevational view thereof; FIG. 4 is a top plan view thereof, the bottom being a mirror image of that shown; FIG. 5 is a right side elevational view thereof; and FIG. 6 is a left side elevational view thereof.

[56] References Cited

U.S. PATENT DOCUMENTS

- D. 191,610 10/1961 Gelb ..... D6/541
- D. 228,166 8/1973 Burckhardt ..... D6/541
- 2,883,087 4/1959 Nichols, Jr. .... D6/541 X



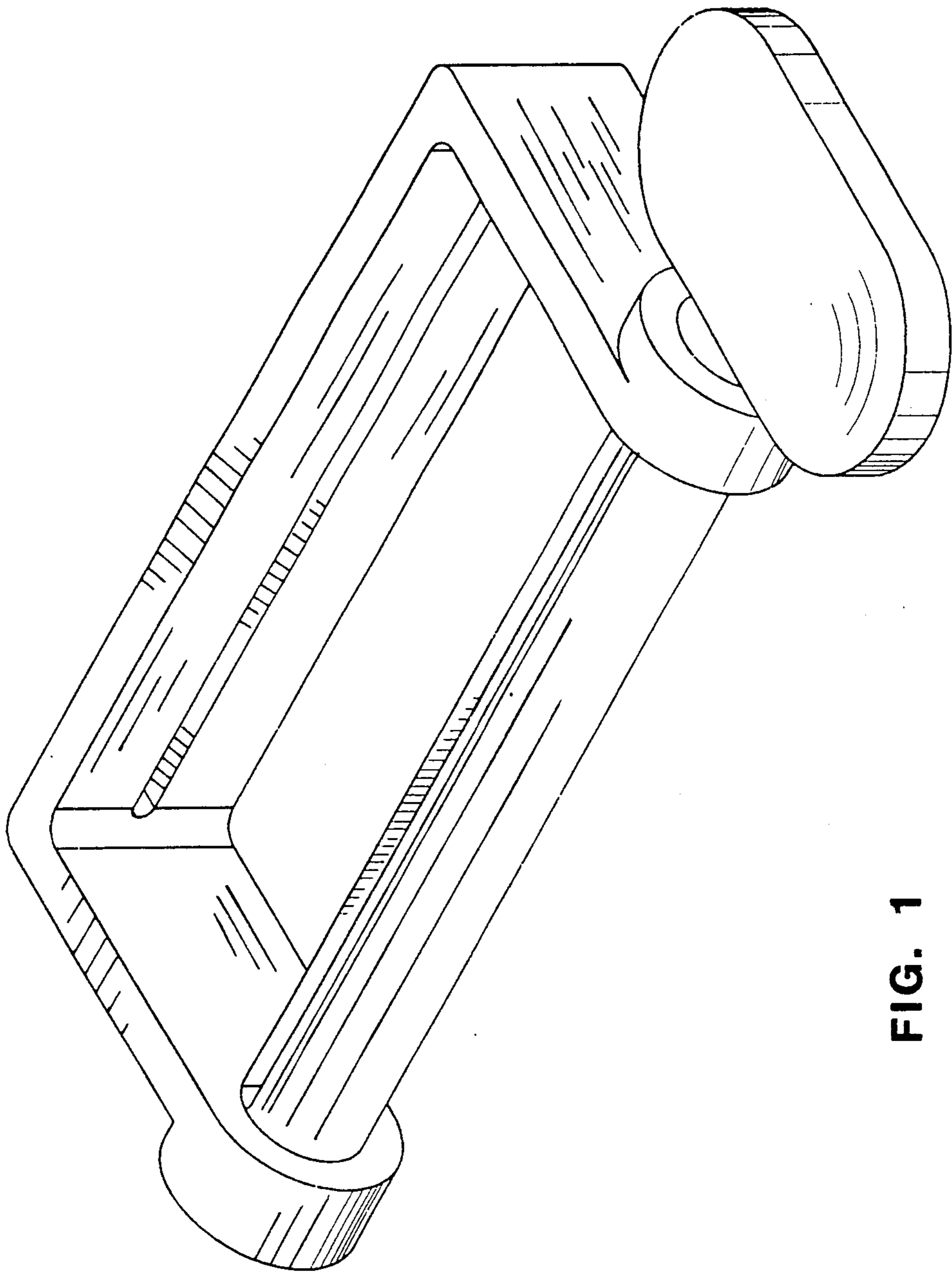


FIG. 1

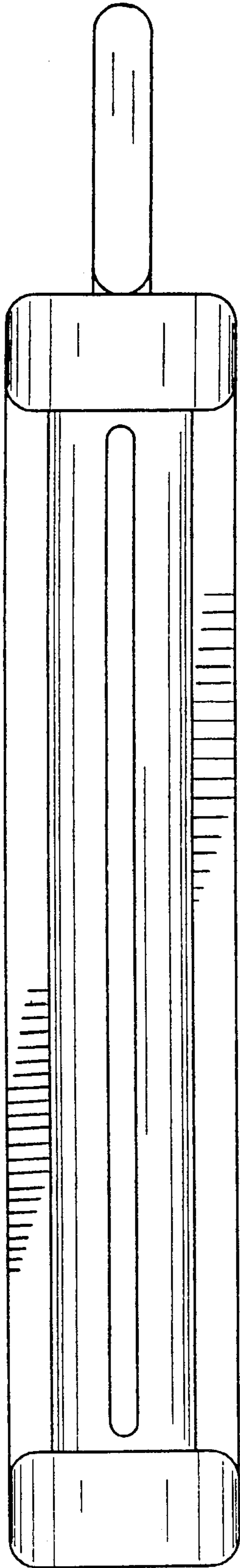


FIG. 2

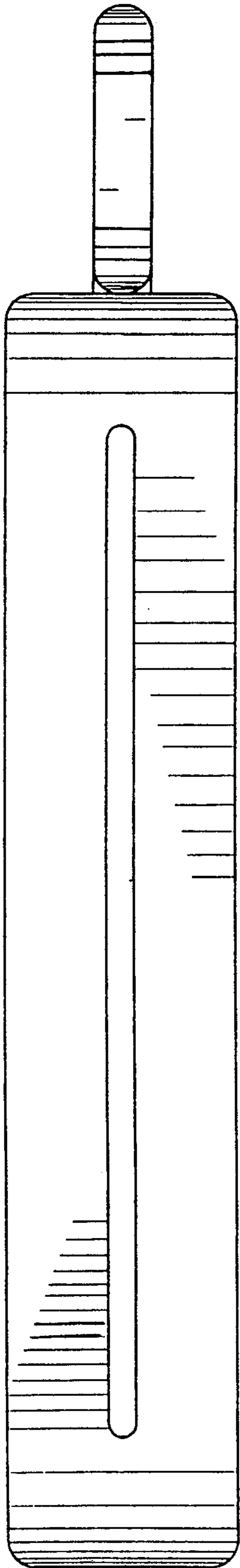


FIG. 3

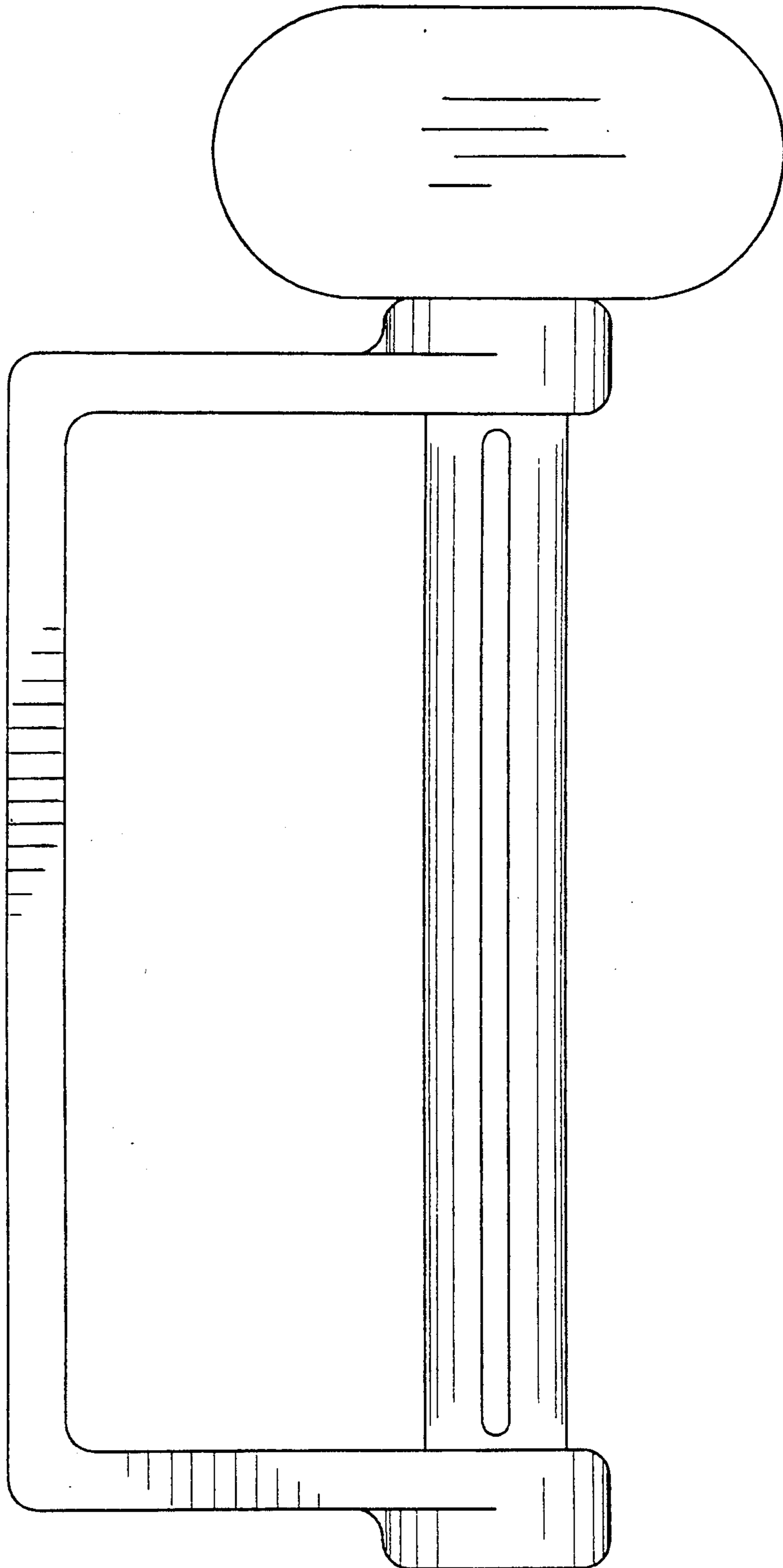


FIG. 4

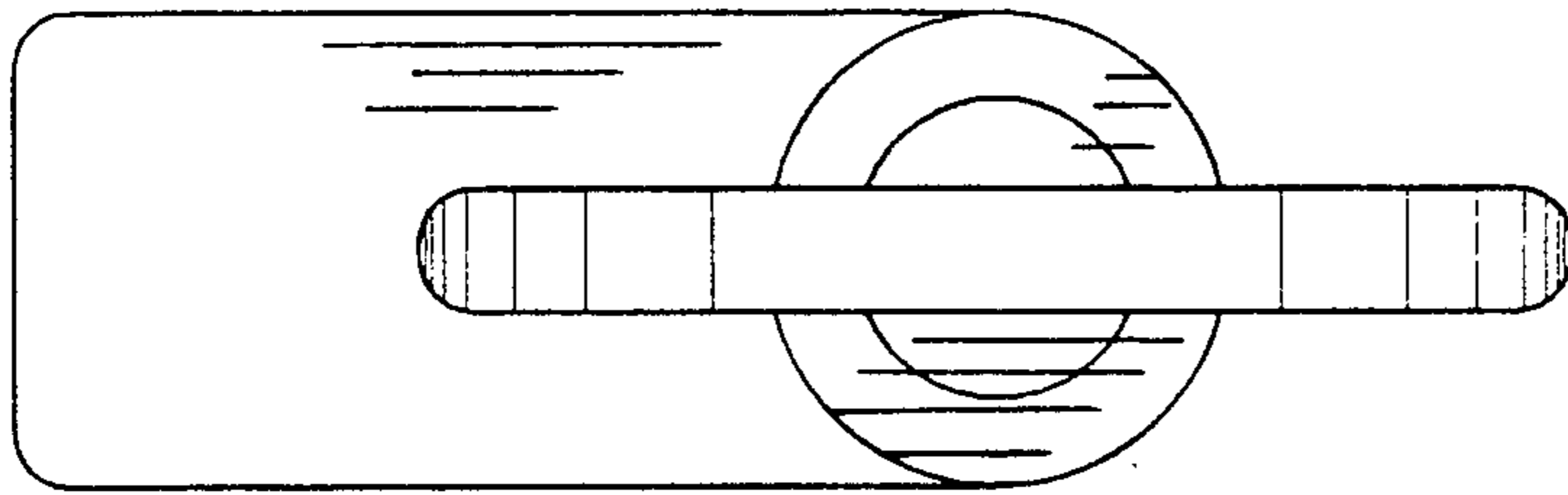


FIG. 5

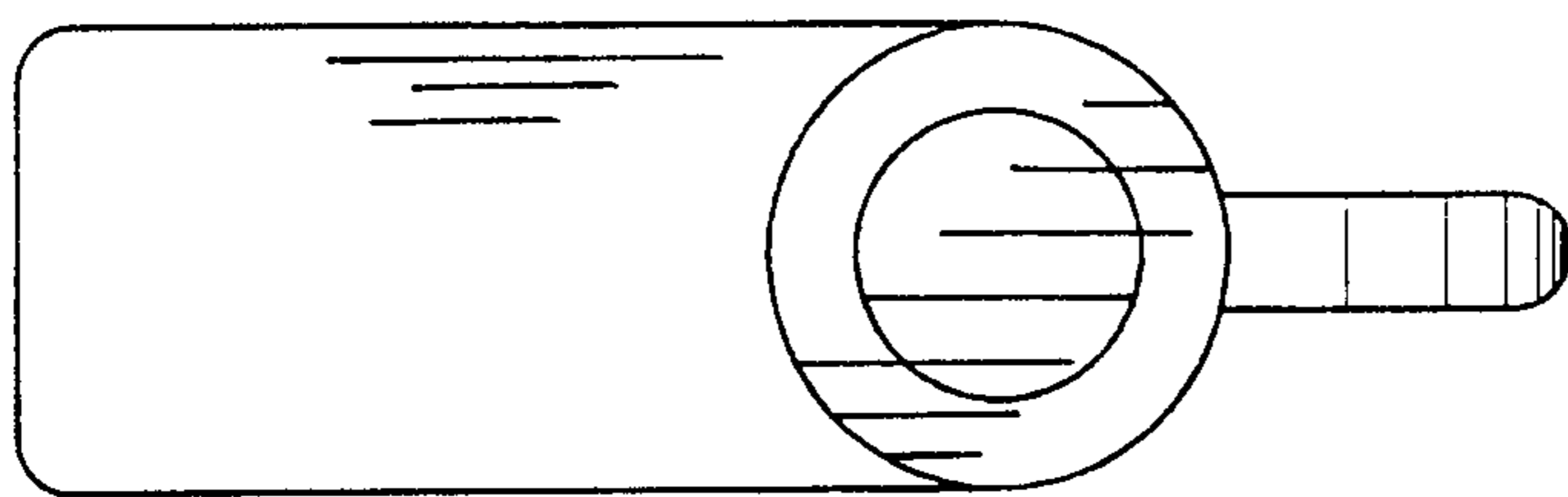


FIG. 6