

[54] DISPLAY RACK

[75] Inventors: George A. Bezzerrides, Benicia; Norman Feldner, Los Angeles, both of Calif.

[73] Assignee: Bezzerrides Company, Benicia, Calif.

[**] Term: 14 Years

[21] Appl. No.: 208,409

[22] Filed: Jun. 17, 1988

[52] U.S. Cl. D6/463; D6/465

[58] Field of Search D6/462, 463, 464, 465, D6/459, 458, 466, 467, 449, 411, 574, 566; 211/181, 186, 49 R

[56] References Cited

U.S. PATENT DOCUMENTS

D. 162,990	4/1951	Roeder	D6/463
D. 175,034	6/1955	Mohr	D6/463
D. 208,443	8/1967	Rollins, Jr.	D6/463
D. 249,615	9/1978	Frisbey	D6/463

D. 295,931 5/1988 Bezzerrides D6/463

OTHER PUBLICATIONS

Lozier Store Fixtures Brochure, back page at top.

Primary Examiner—Bruce W. Dunkins

Assistant Examiner—Jeffrey Asch

Attorney, Agent, or Firm—Majestic, Parsons, Siebert & Hsue

[57] CLAIM

The ornamental design of a display rack, as shown and described.

DESCRIPTION

FIG. 1 is a top, front, and left side perspective view of a display rack showing our new design on an enlarged scale;

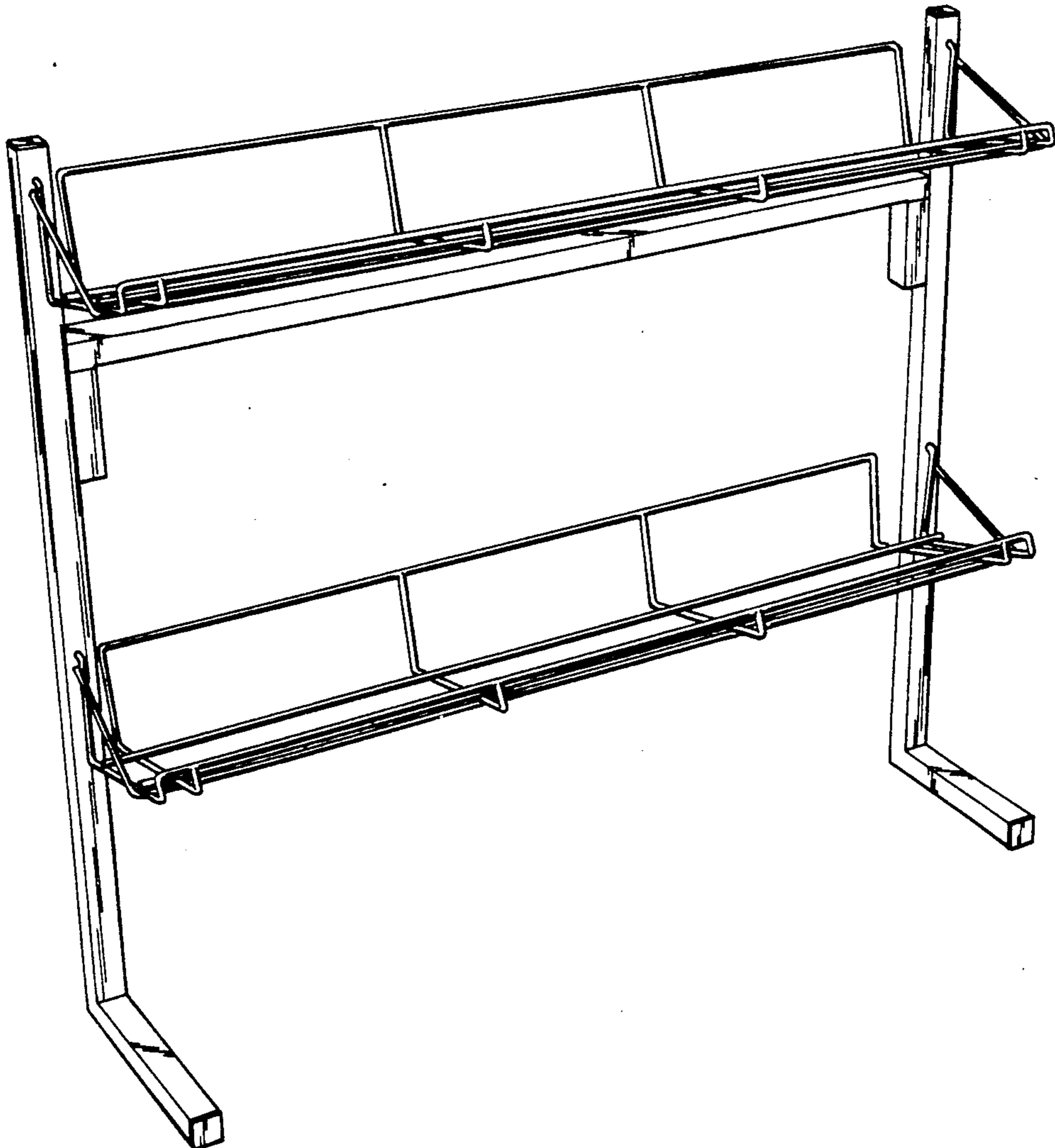
FIG. 2 is a top plan view thereof;

FIG. 3 is a front elevational view thereof;

FIG. 4 is a right side elevational view thereof;

FIG. 5 is a rear elevational view thereof; and

FIG. 6 is a bottom plan view thereof.



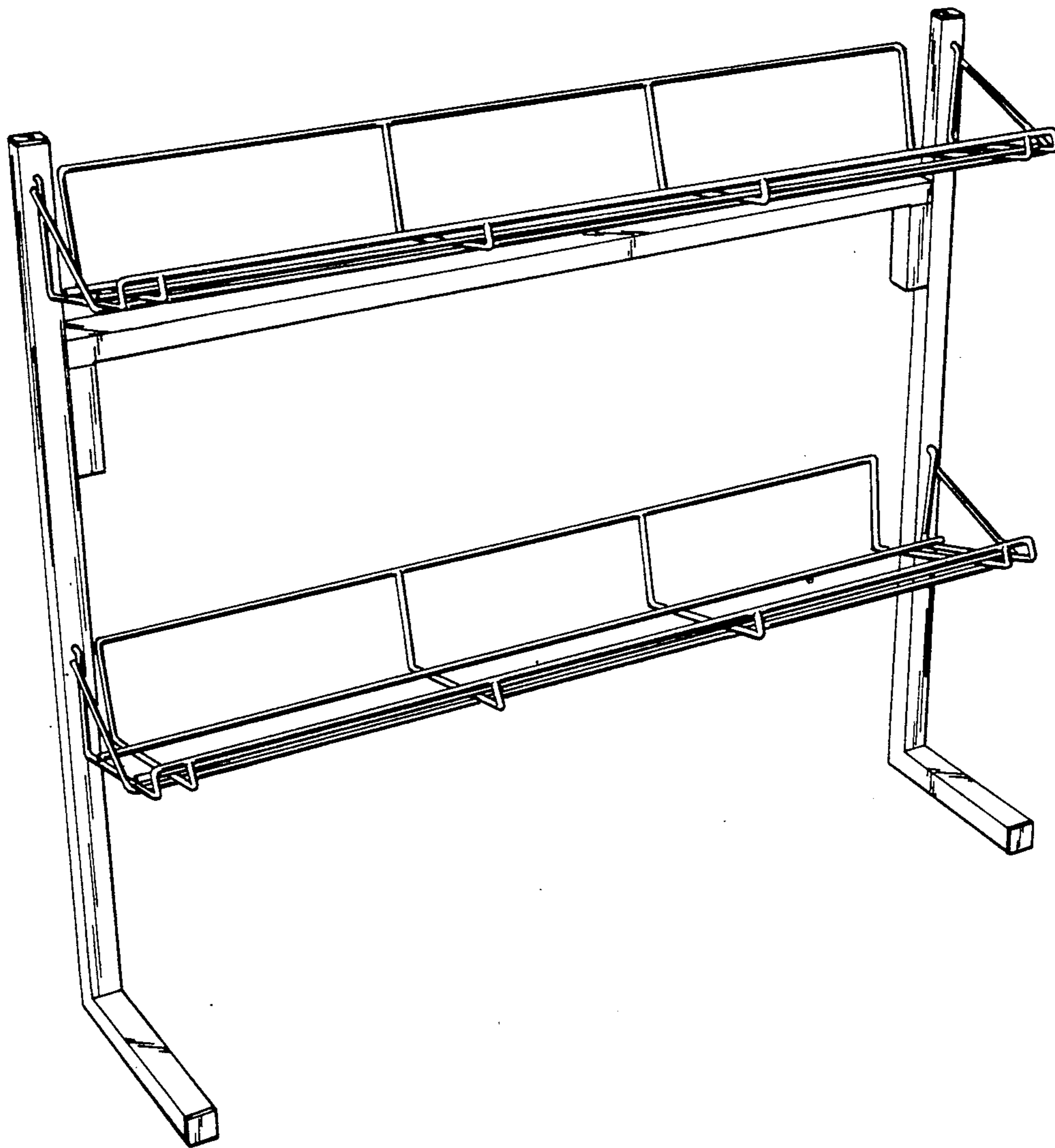


FIG. 1.

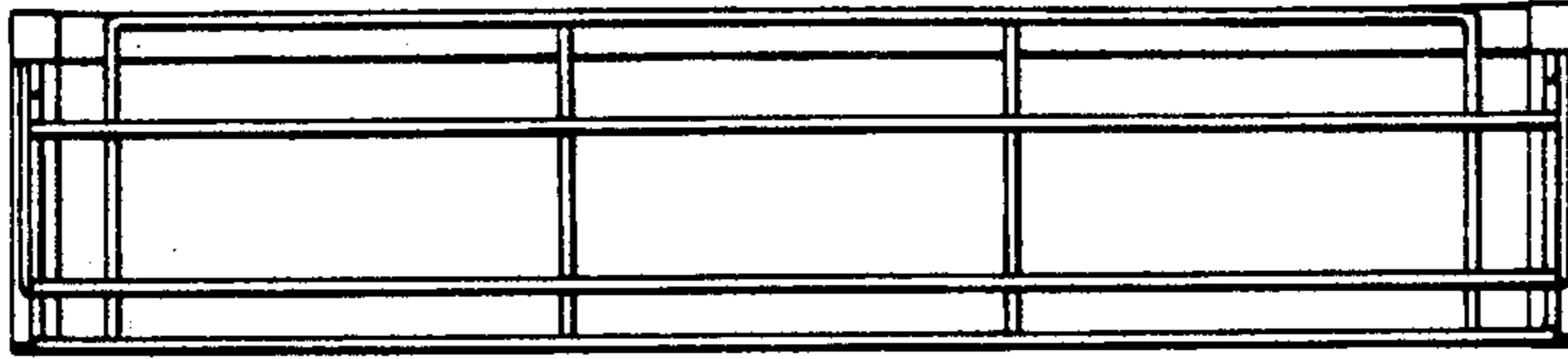


FIG. 2.

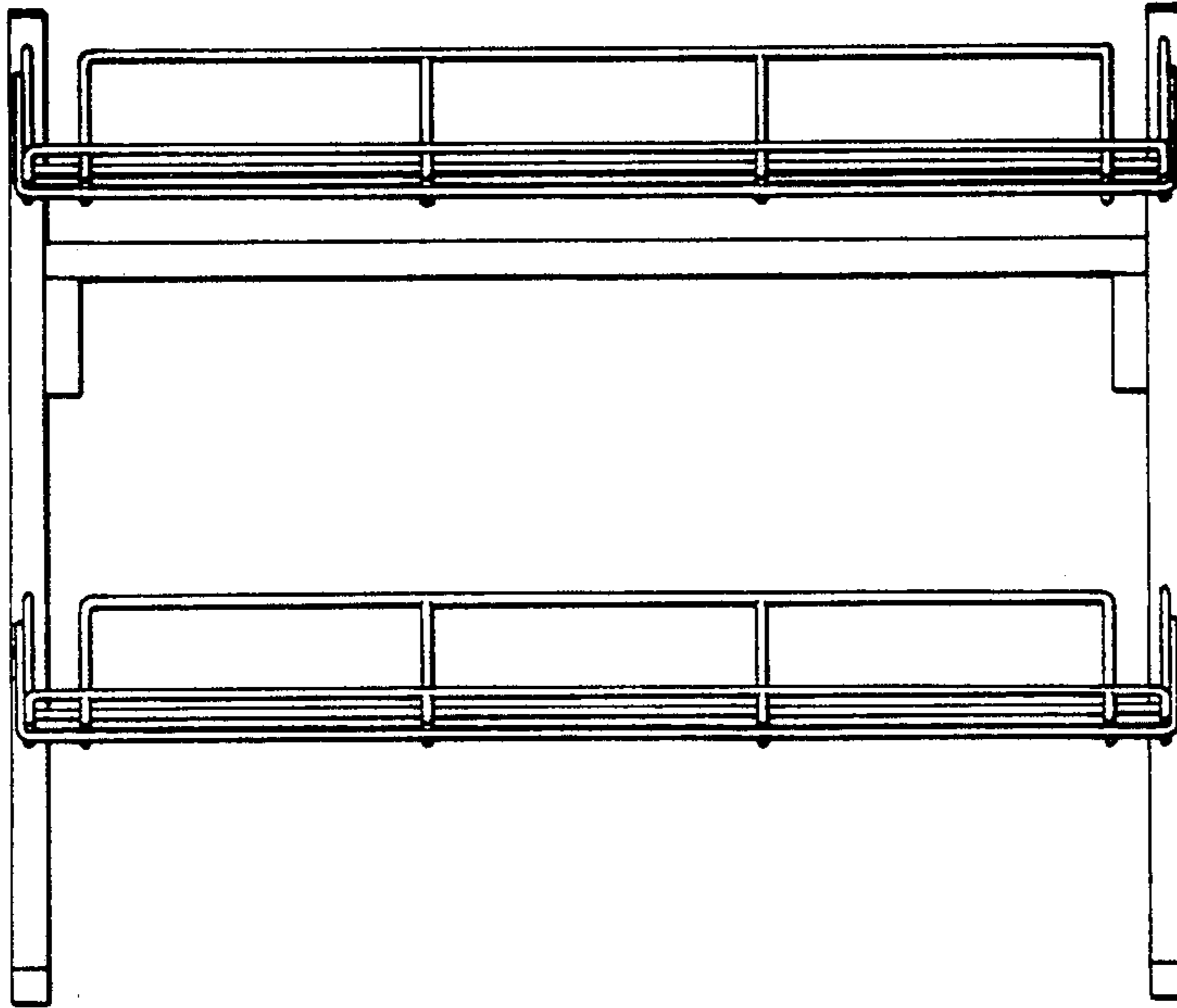


FIG. 3.

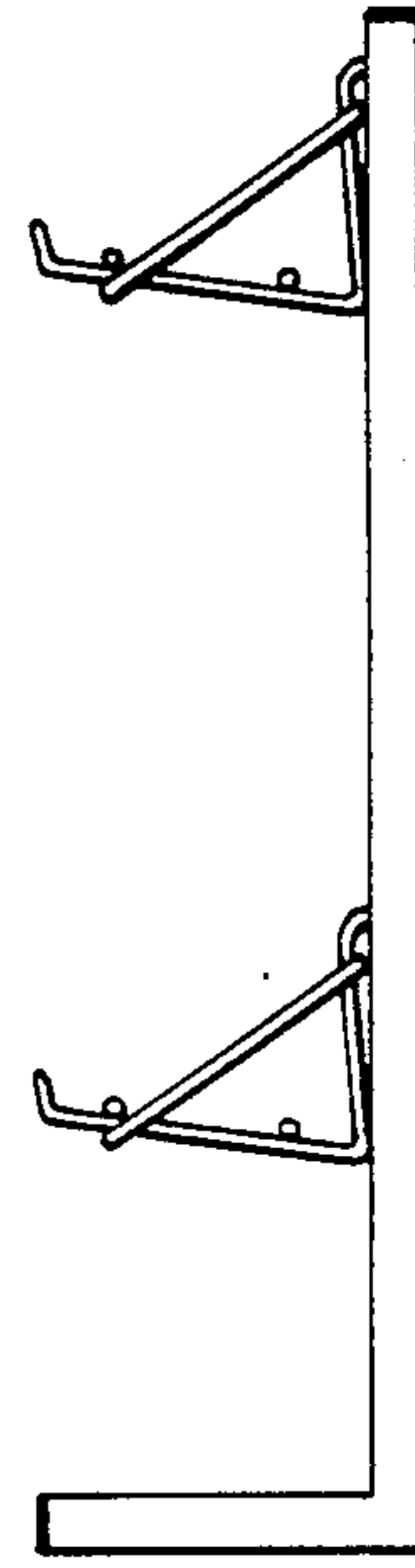


FIG. 4.

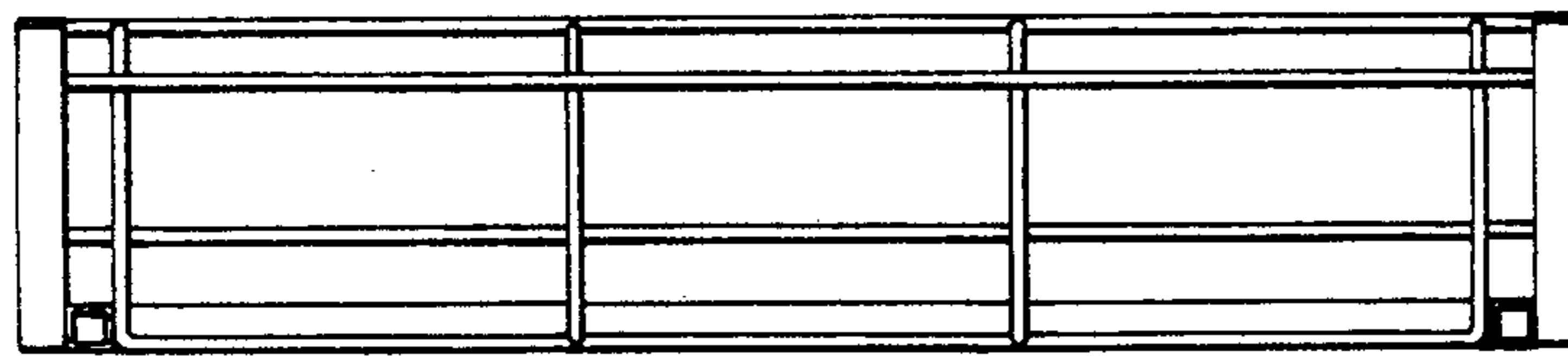


FIG. 6.

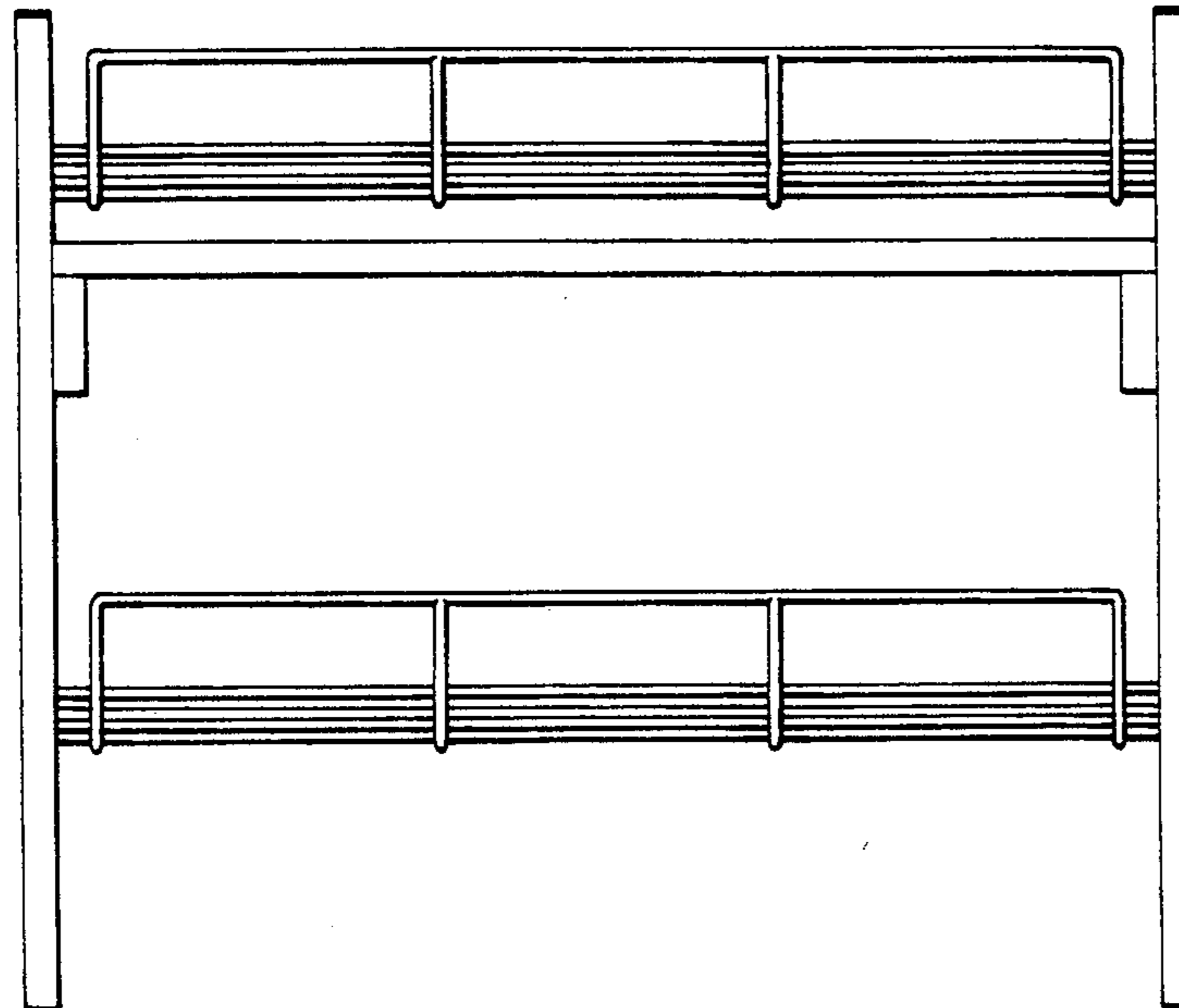


FIG. 5.