

United States Patent [19]

Fabius et al.

[11] Patent Number: **Des. 317,687**

[45] Date of Patent: **** Jun. 25, 1991**

[54] **TELESCOPIC SUPPORT ARM FOR COMPUTERS AND PERIPHERAL COMPUTER EQUIPMENT**

[76] Inventors: **Albert Fabius; Antonius F. M. Bende**, both of Ingelandenweg 1, 1069 WE Amsterdam, Netherlands

[**] Term: **14 Years**

[21] Appl. No.: **368,220**

[22] Filed: **Jun. 16, 1989**

[30] **Foreign Application Priority Data**

Dec. 23, 1988 [XB] Benelux 63914-00
[52] U.S. Cl. **D6/429; D8/373**
[58] Field of Search D8/355, 349, 373;
248/280.1, 225.3 R, 226.4, 230, 278; D6/114,
85, 429

[56] **References Cited**

U.S. PATENT DOCUMENTS

D. 206,384 12/1966 Lindenmuth .

D. 238,540 1/1976 Holly D8/355 X
D. 275,431 9/1984 Usab D8/373 X
4,836,486 6/1989 Vossoughi et al. 248/278 X
4,863,133 9/1989 Bonnell 248/278

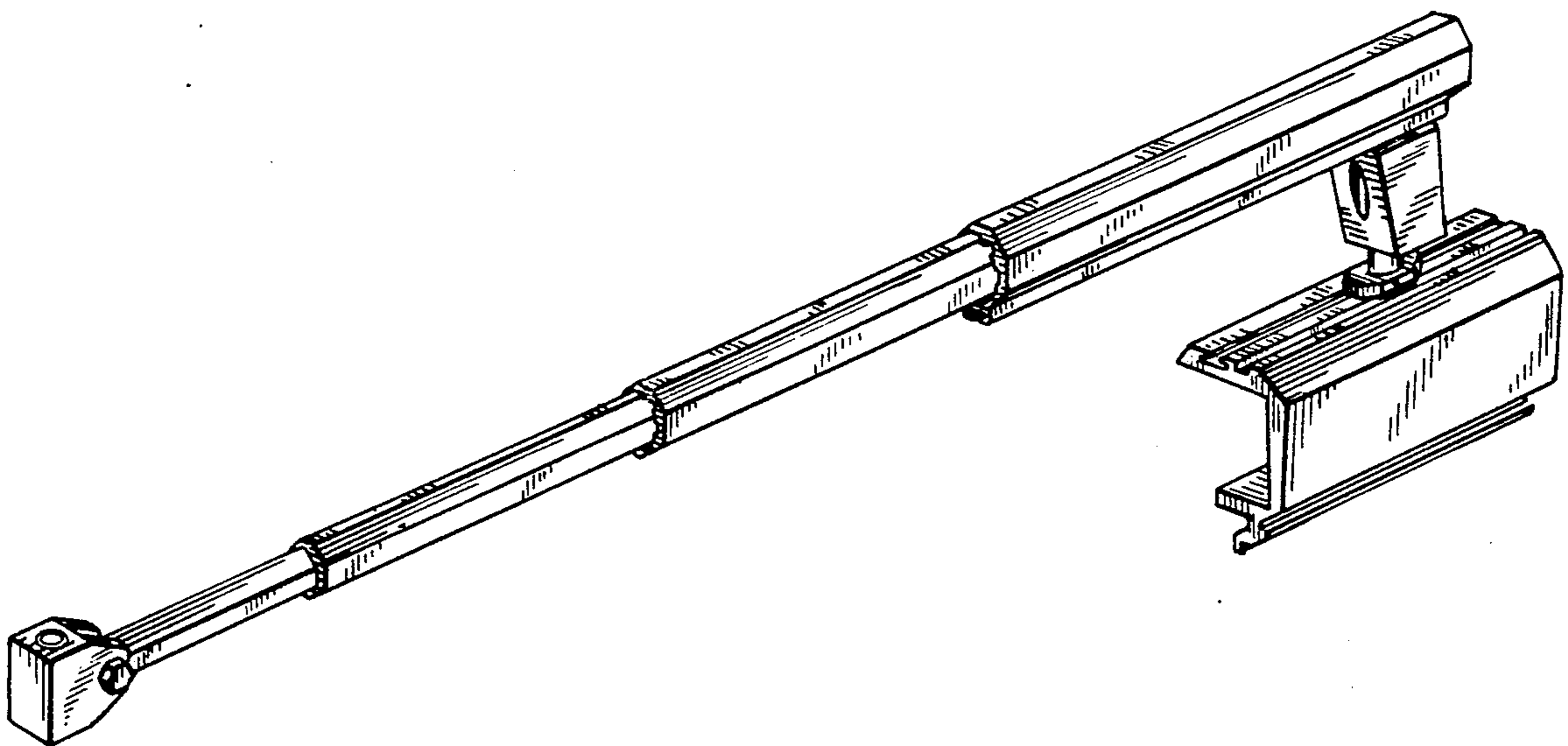
Primary Examiner—Wallace R. Burke
Assistant Examiner—Holly H. Baynham
Attorney, Agent, or Firm—Cooper & Dunham

[57] **CLAIM**

The ornamental design for telescopic support arm for computers and peripheral computer equipment, as shown and described.

DESCRIPTION

FIG. 1 is a perspective side view of a telescopic support arm for computers and peripheral computer equipment showing our new design;
FIG. 2 is a front elevational view thereof;
FIG. 3 is a rear elevational view thereof;
FIG. 4 is a top plan view thereof;
FIG. 5 is a right side elevational view thereof;
FIG. 6 is a left side elevational view thereof;
FIG. 7 is a bottom view thereof.



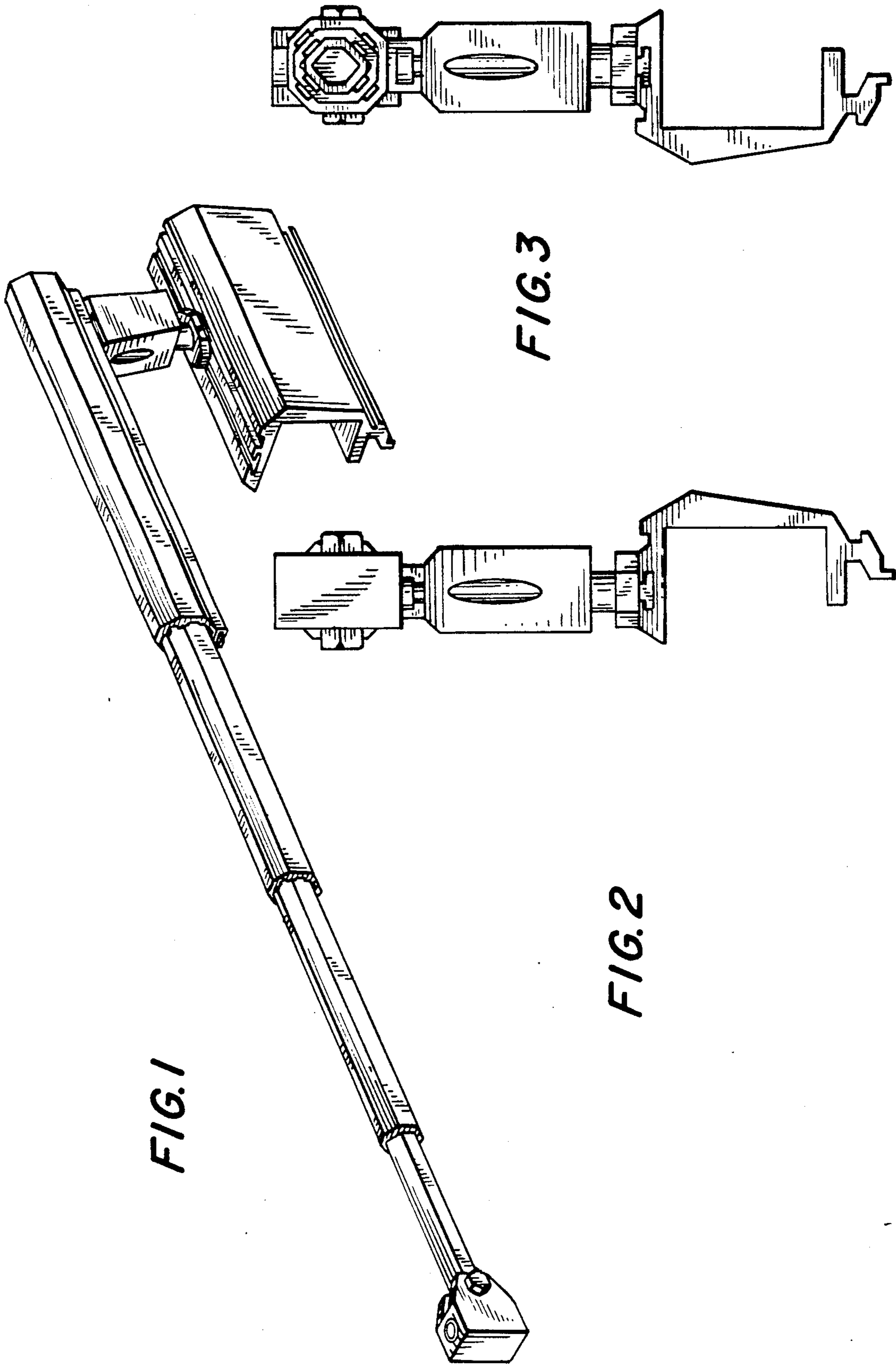


FIG. 4

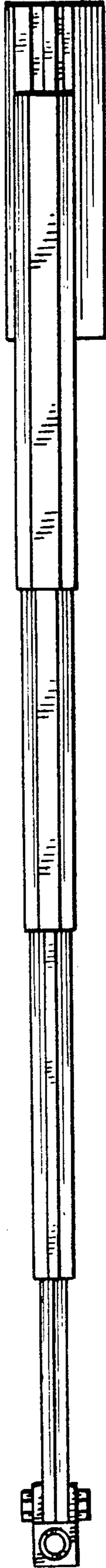
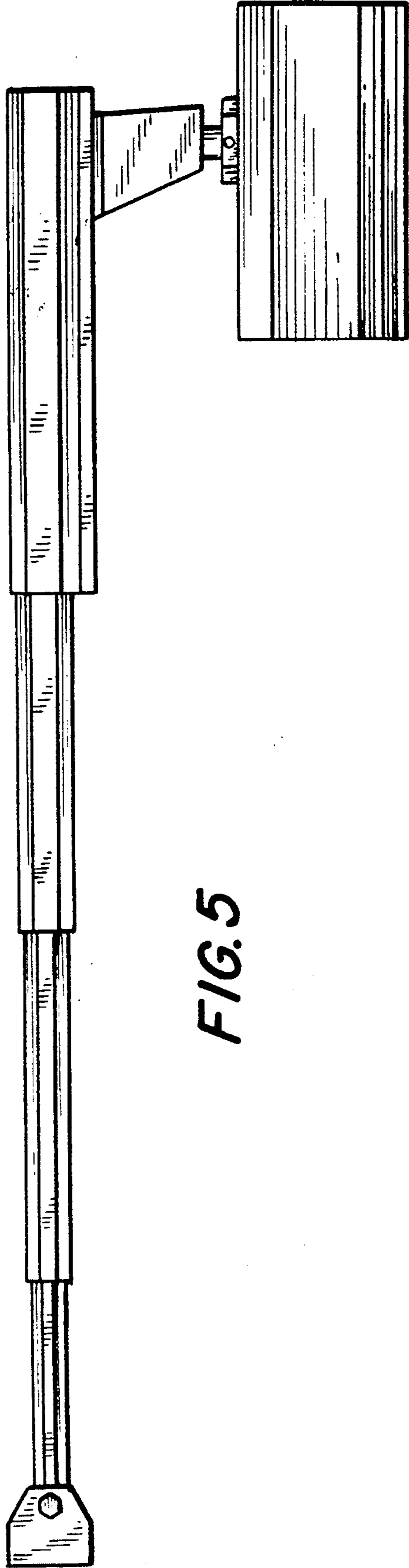


FIG. 5



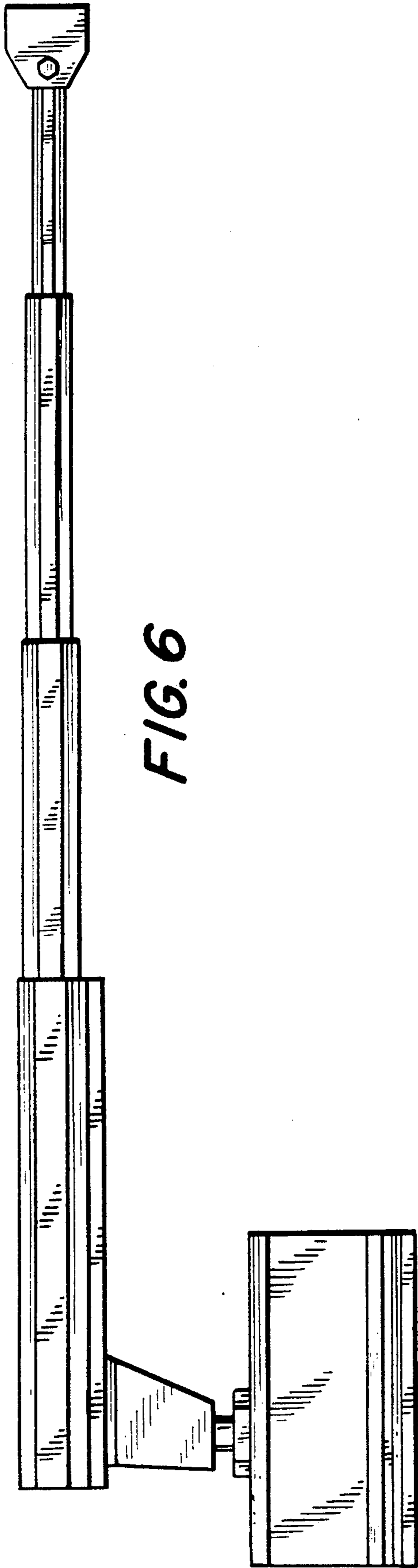


FIG. 6

FIG. 7

