

[54] BLANKET RACK

[75] Inventor: Peter M. Y. Kee, Happy Valley,  
Hong Kong

[73] Assignee: Rosalco, Inc., Louisville, Ky.

[\*\*] Term: 14 Years

[21] Appl. No.: 560,317

[22] Filed: Jul. 31, 1990

[52] U.S. Cl. .... D6/410; D6/411;  
D6/464

[58] Field of Search ..... D6/410, 462, 465, 464,  
D6/474, 479; 211/181

[56] References Cited

U.S. PATENT DOCUMENTS

D. 91,026	11/1933	Guild	.....	D6/410
D. 142,304	8/1945	Marchand	.....	D6/410
D. 204,847	5/1966	Hill	.....	D6/410
D. 234,016	12/1974	Smilowitz	.....	D6/410

D. 263,436 3/1982 Greenwold ..... D6/410

OTHER PUBLICATIONS

Beagle Manufacturing Co. Inc., Catalog, p. 25, #6096.  
Best Catalog 1985/86, item 17.

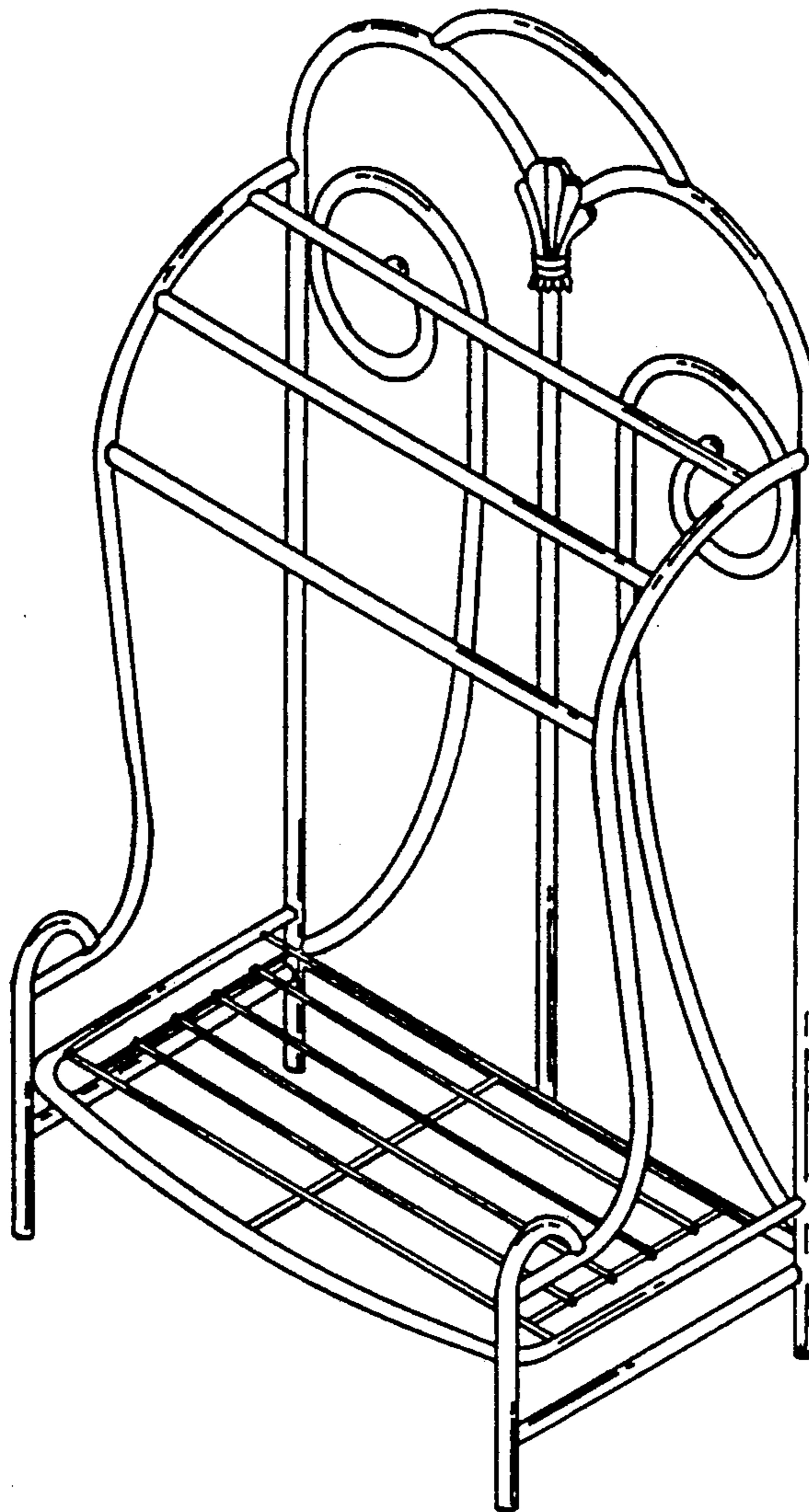
Primary Examiner—Bruce W. Dunkins  
Assistant Examiner—Jeffrey Asch  
Attorney, Agent, or Firm—Rhodes, Coats & Bennett

[57] CLAIM

The ornamental design for a blanket rack, as shown and described.

DESCRIPTION

FIG. 1 is a front perspective view of a blanket rack showing my new design;  
FIG. 2 is a rear perspective view of the blanket rack of FIG. 1;  
FIG. 3 is a front elevational view of the blanket rack of FIG. 1; and  
FIG. 4 is a front perspective view showing a second embodiment of the blanket rack shown in FIG. 1.



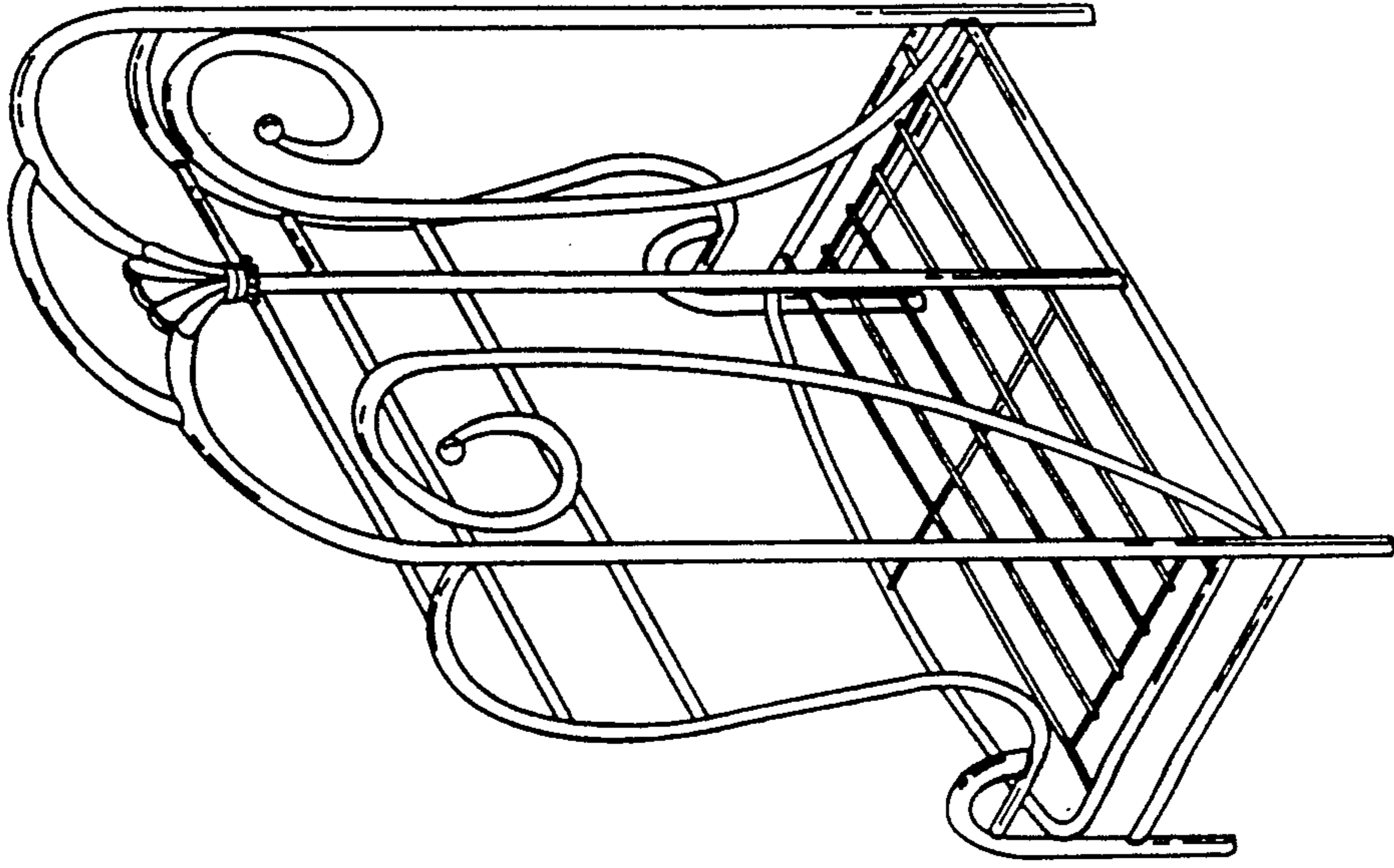


FIG. 2

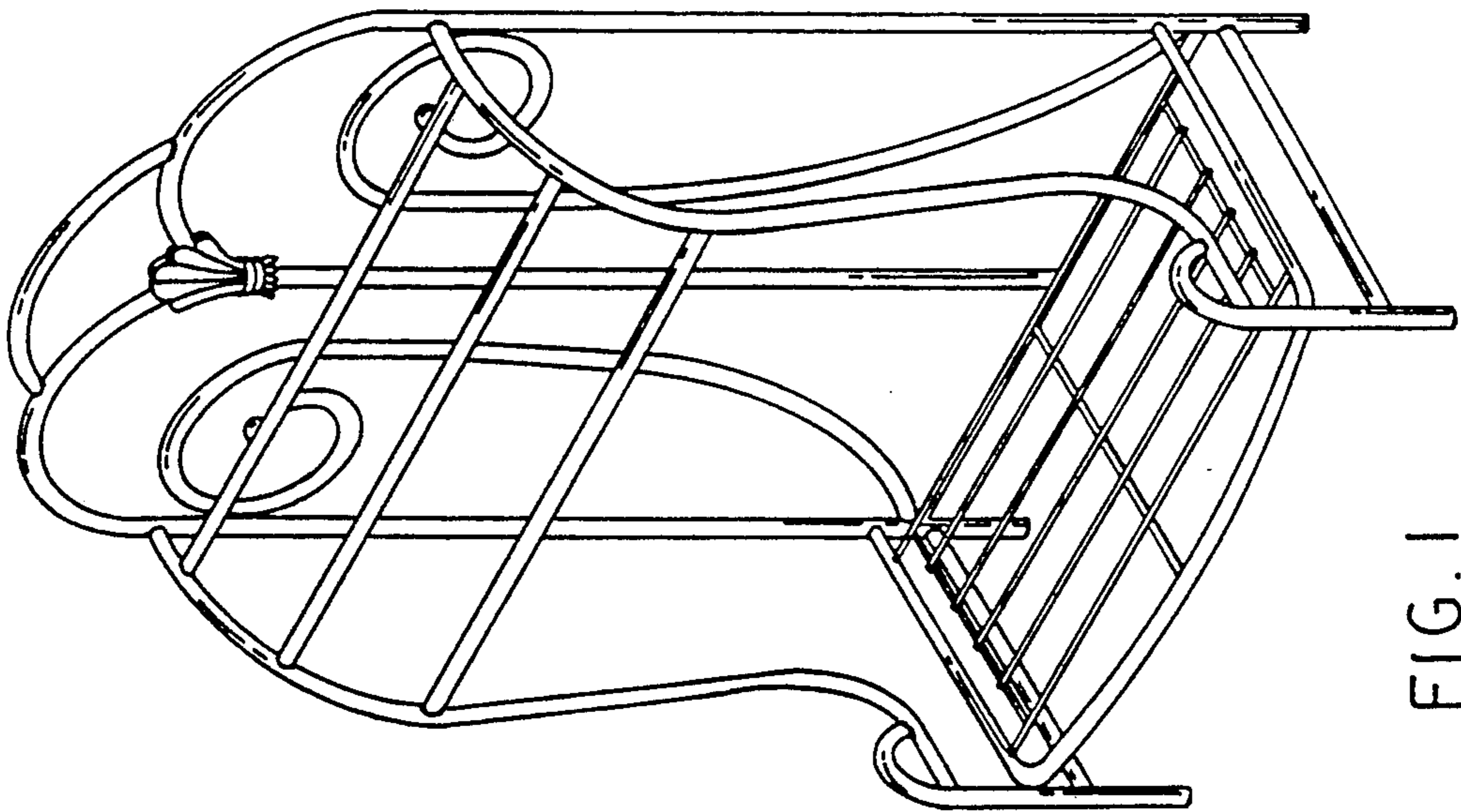


FIG. 1

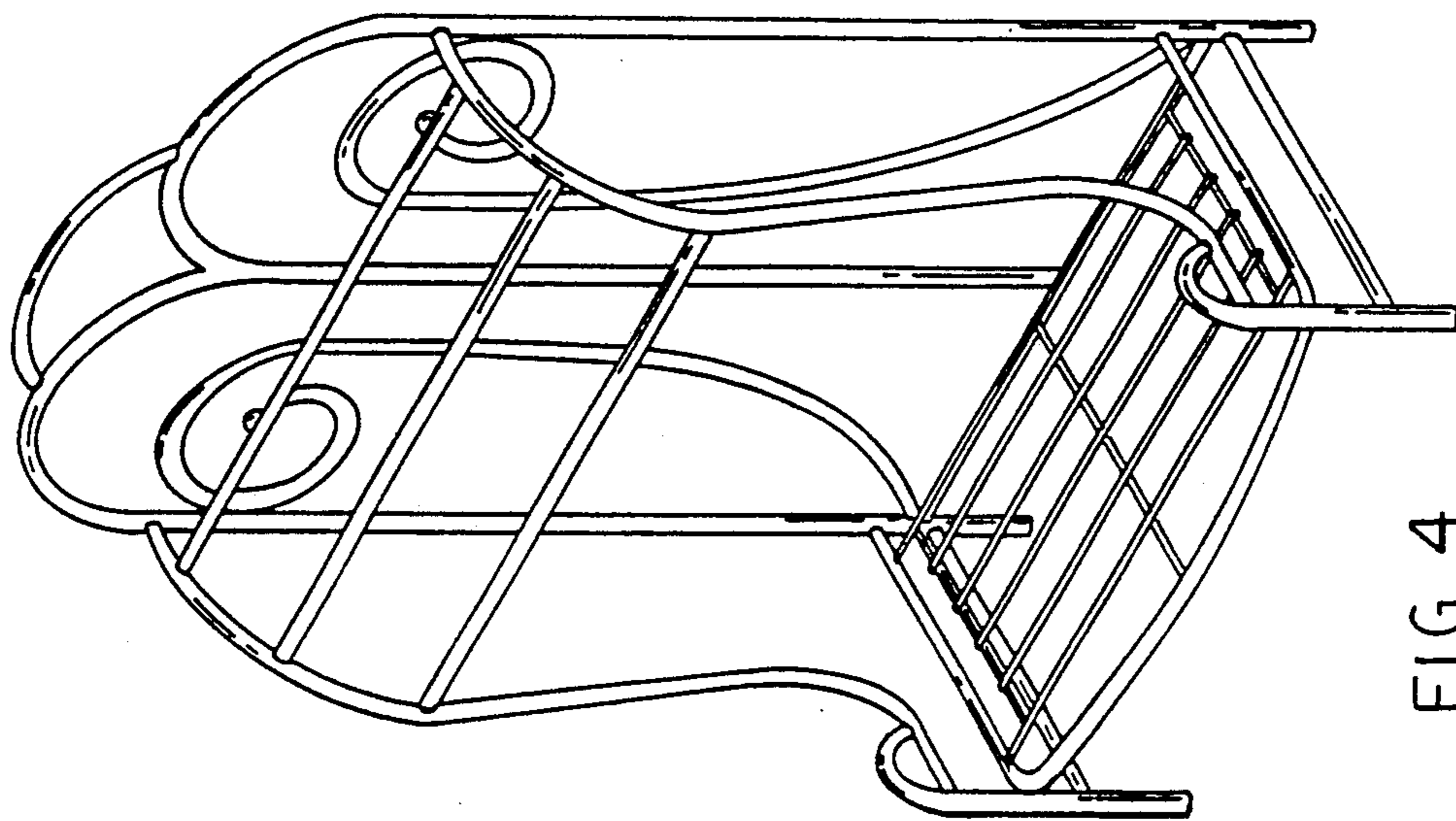


FIG. 4

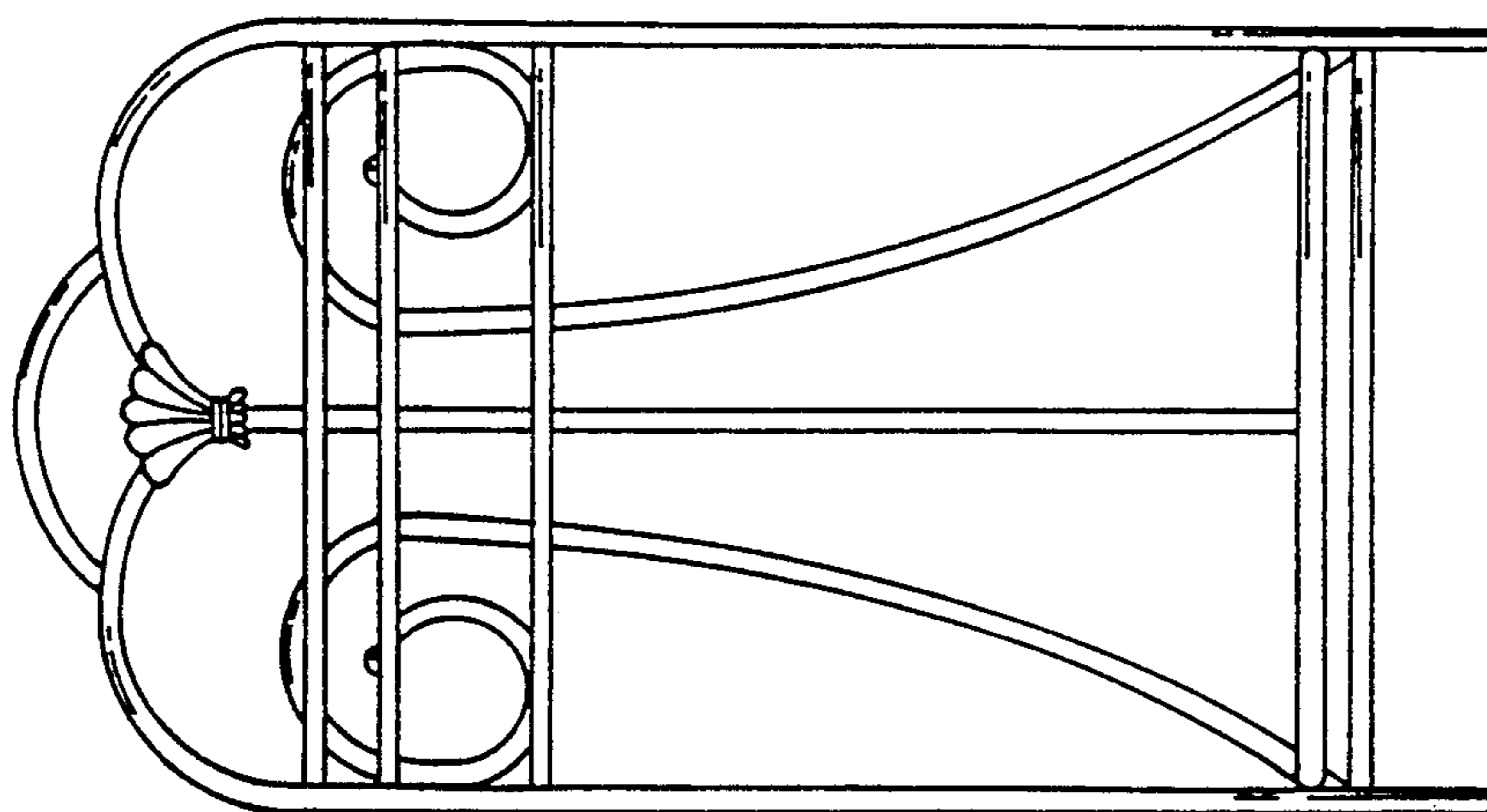


FIG. 3