

United States Patent [19]
Manthei

[11] **Patent Number: Des. 317,684**

[45] **Date of Patent: ** Jun. 25, 1991**

[54] **BED**

[76] **Inventor: Michael E. Manthei, 805
Cottonwood Loop, Richland, Wash.
99352**

[**] **Term: 14 Years**

[21] **Appl. No.: 260,481**

[22] **Filed: Oct. 20, 1988**

[52] **U.S. Cl. D6/384; D6/388**

[58] **Field of Search D6/382-385,
D6/388-395, 503, 505-508; D21/137; D12/5,
11**

[56] **References Cited**

U.S. PATENT DOCUMENTS

D. 219,077 10/1970 *Voyce* D12/5

D. 275,912 10/1984 *Hydsusko et al.* D6/388
D. 292,758 11/1987 *Bethune* D6/388
D. 292,952 12/1987 *Mercurio* D6/388

Primary Examiner—Bruce W. Dunkins
Assistant Examiner—Janice E. Seeger
Attorney, Agent, or Firm—Wells, St. John & Roberts

[57] **CLAIM**

The ornamental design for bed, as shown and described.

DESCRIPTION

FIG. 1 is a perspective view of a bed showing my new design;

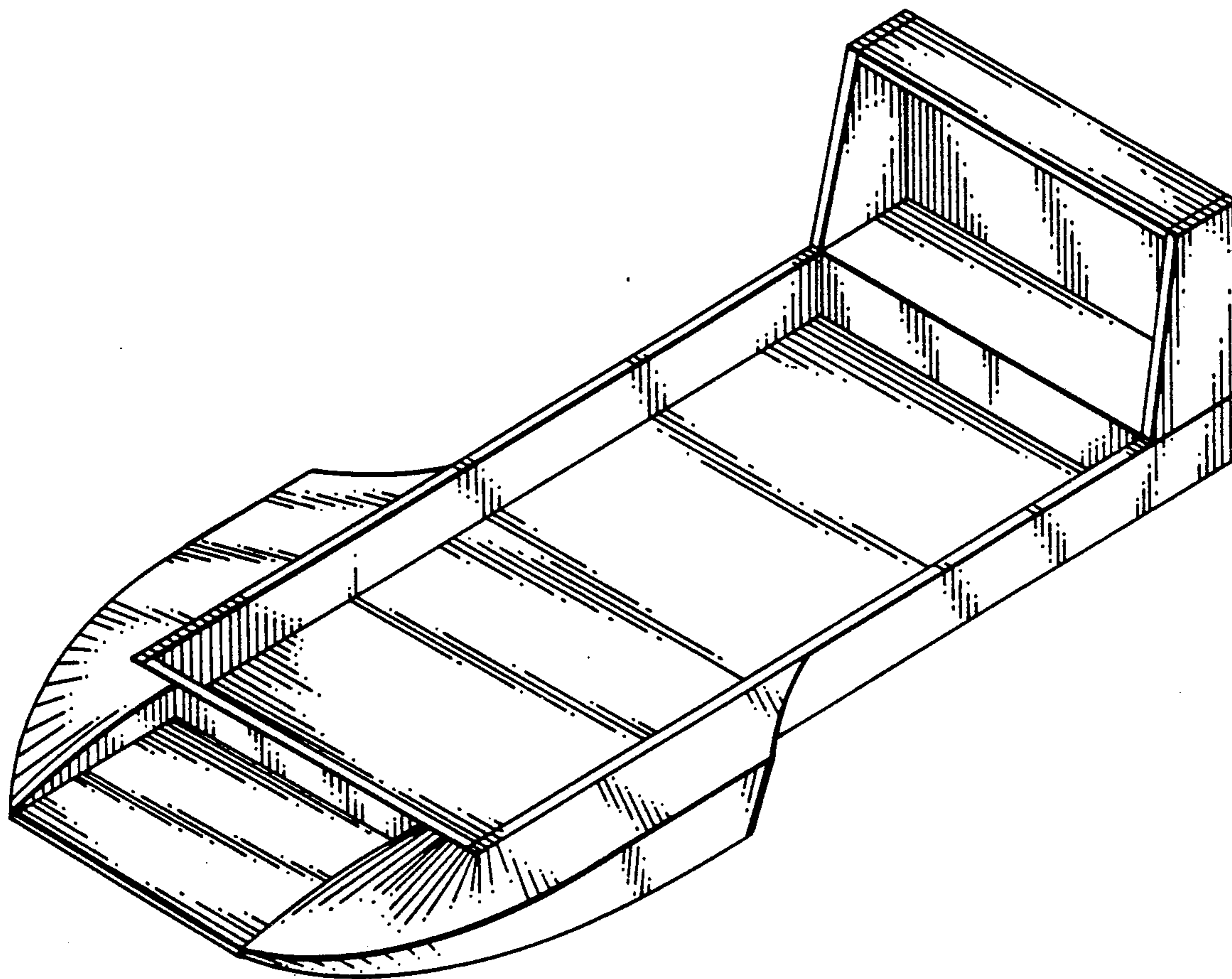
FIG. 2 is a right side elevational view;

FIG. 3 is a left side elevational view;

FIG. 4 is a top plan view; and

FIG. 5 is a front elevational view.

The undisclosed bottom and rear of the bed are flat and unadorned.



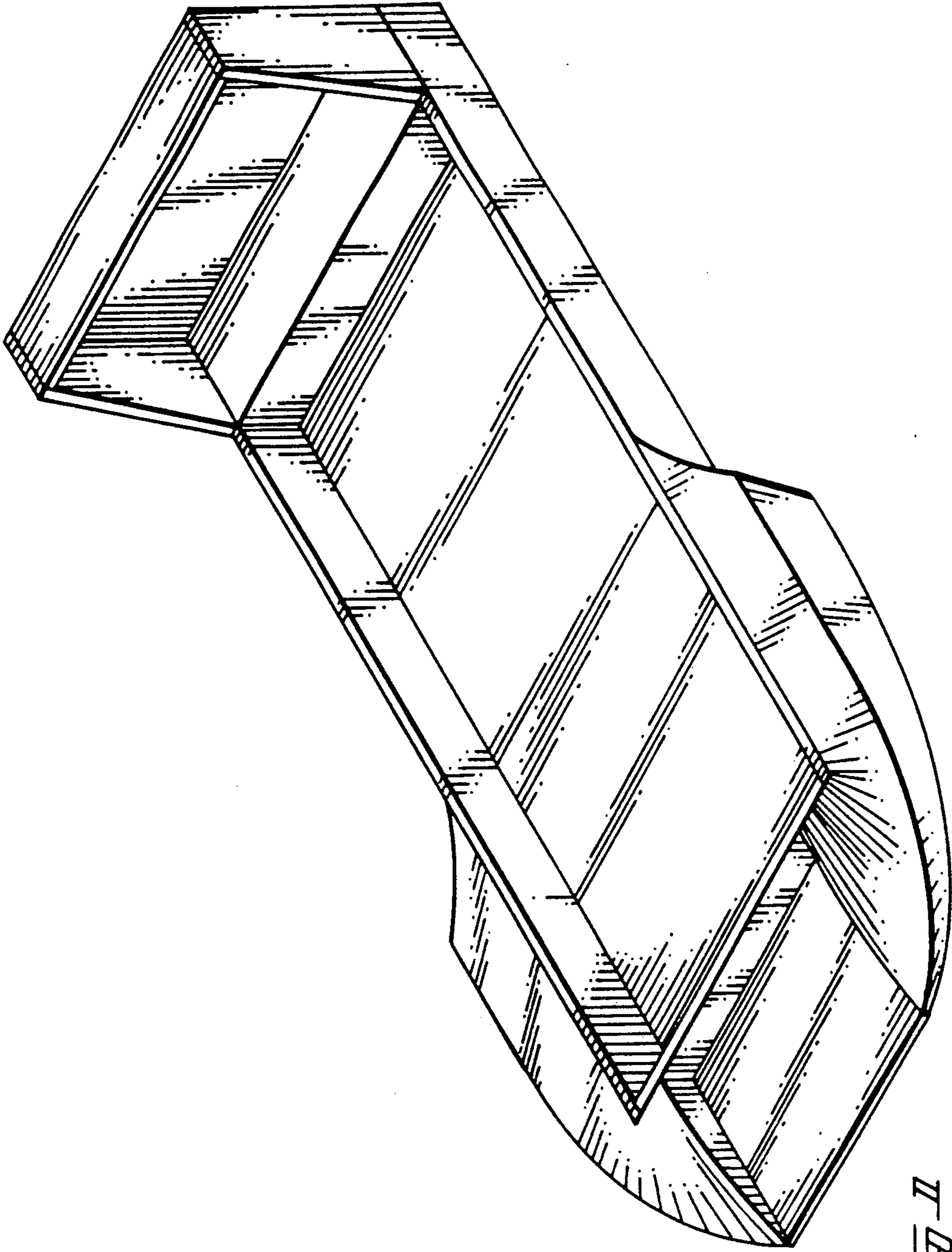


FIG. 1

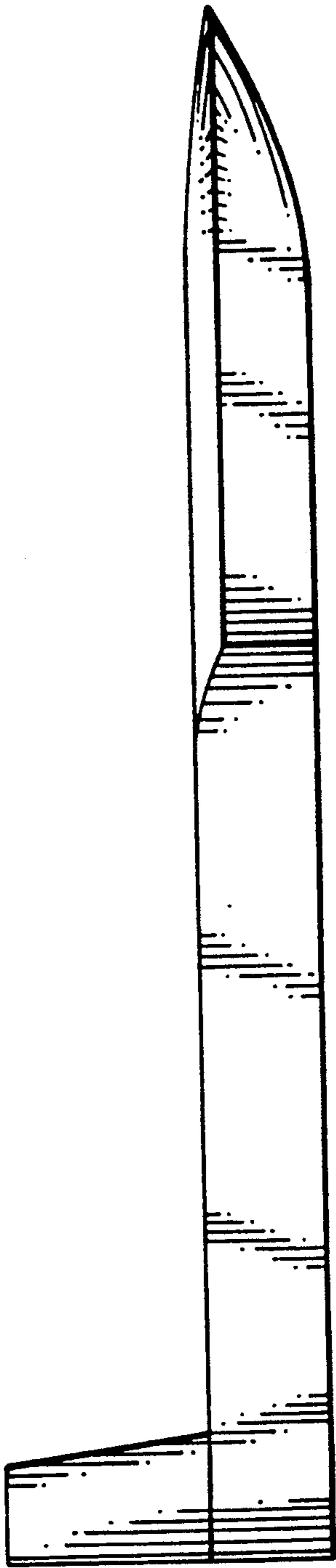


FIG. 2

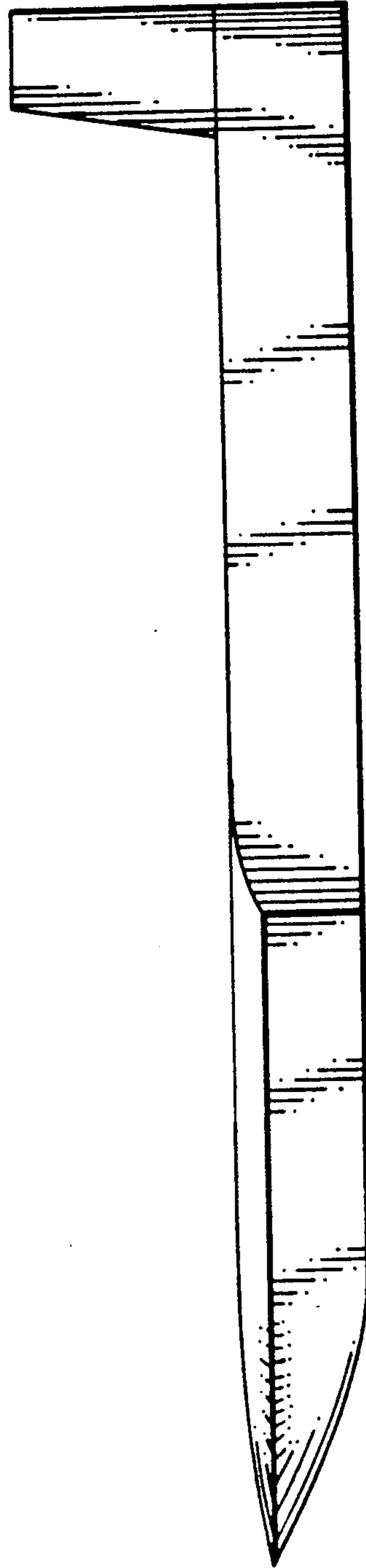


FIG. 3

