

[54] **TAKE-APART FRAME WITH ADJUSTABLE MIRROR**

[76] **Inventor: Randall L. Smith, Rt. 1, Box 12, Scottville, N.C. 28672**

[\*\*] **Term: 14 Years**

[21] **Appl. No.: 294,805**

[22] **Filed: Jan. 9, 1989**

[52] **U.S. Cl. .... D6/309**

[58] **Field of Search ..... D6/300, 309, 310, 313; 248/466, 469, 474, 480, 105, 106; 350/600, 631, 632**

[56] **References Cited**

**U.S. PATENT DOCUMENTS**

D. 176,750	1/1956	Brozyna	.....	D6/308
4,257,680	3/1981	Baczkowski	.....	350/298
4,339,104	7/1982	Weidman	.....	248/474 X

4,627,588 12/1986 Block ..... 248/105 X

*Primary Examiner*—Bernard Ansher  
*Assistant Examiner*—Terry A. Pfeffer  
*Attorney, Agent, or Firm*—Rhodes, Coats & Bennett

[57] **CLAIM**

The ornamental design for a take-apart frame with adjustable mirror, as shown and described.

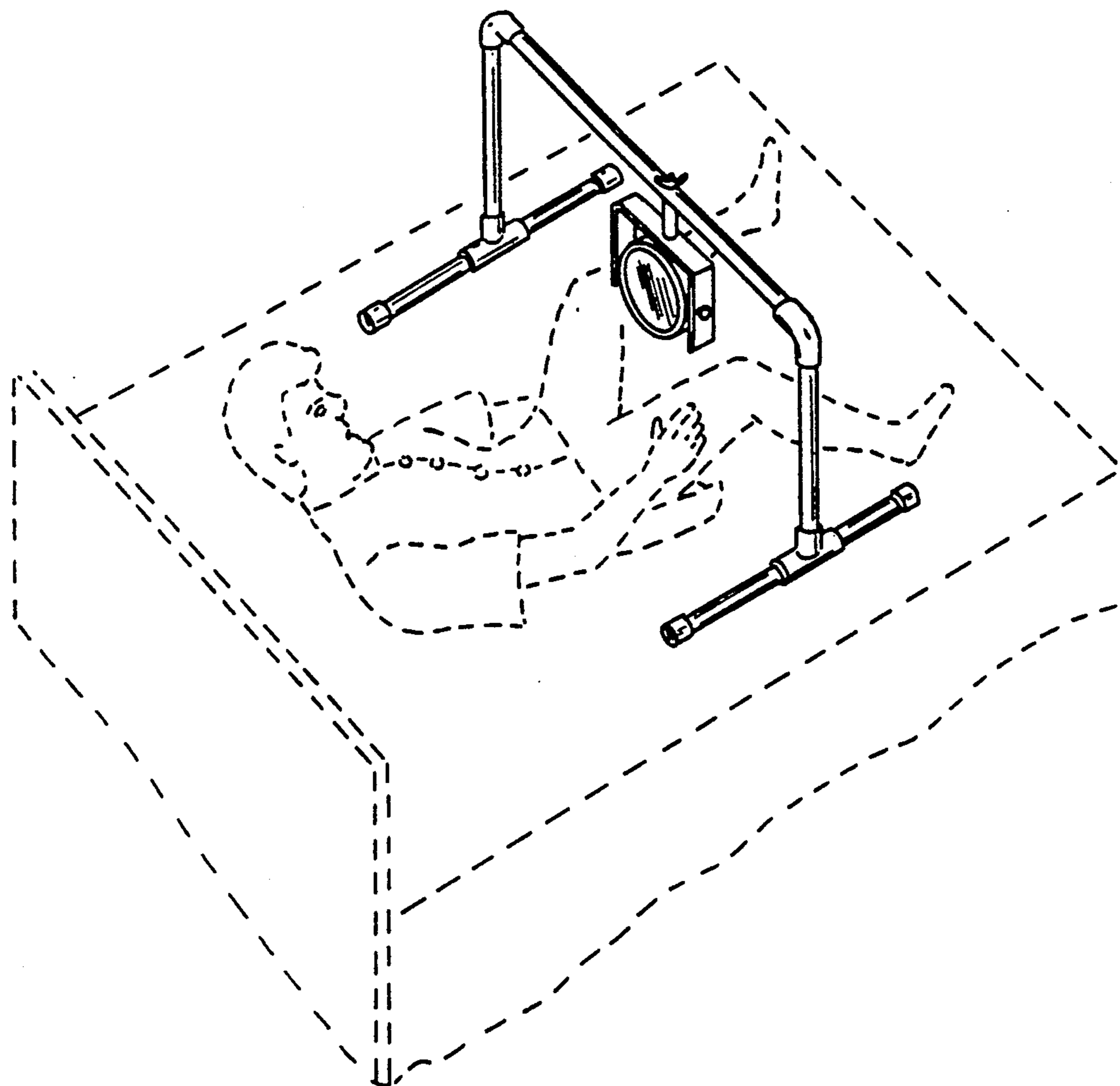
**DESCRIPTION**

FIG. 1 is a perspective view of a take-apart frame with adjustable mirror showing my new design, the bed and person shown in broken lines for illustrative purposes only;

FIG. 2 is a front elevational view thereof, the opposite side being a mirror image;

FIG. 3 is a top plan view thereof; and

FIG. 4 is a side elevational view thereof, the opposite side being a mirror image.



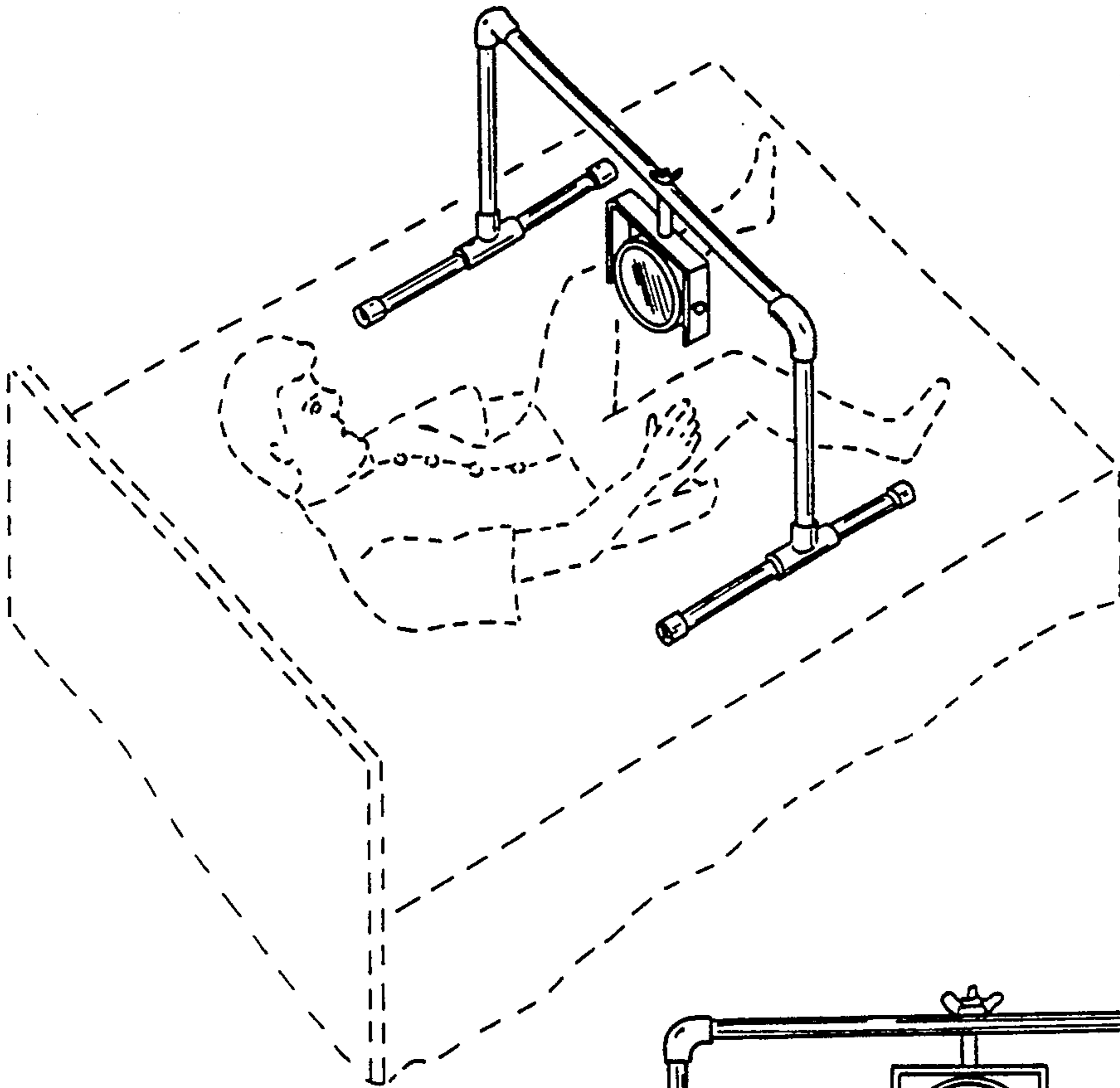


FIG. 1

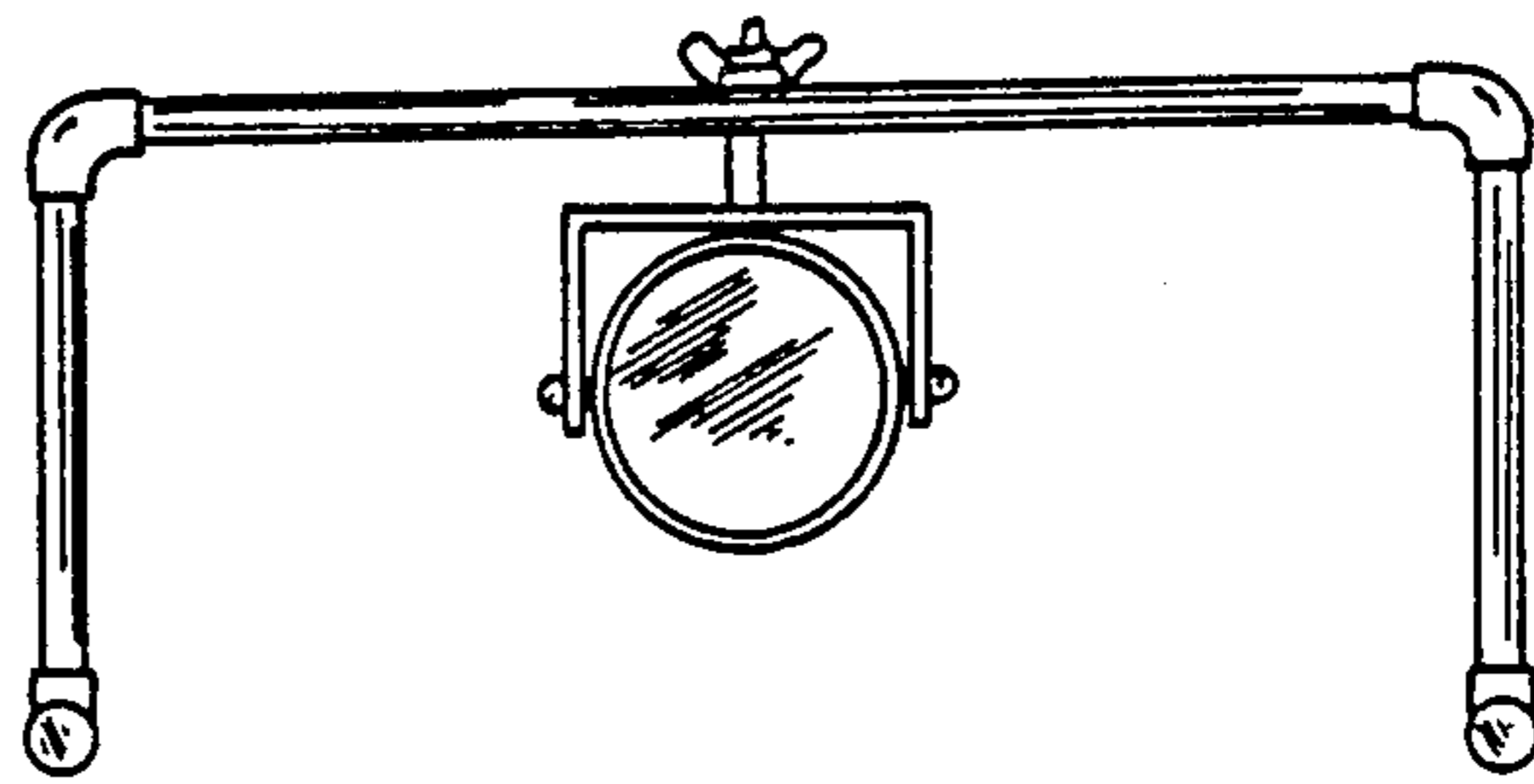


FIG. 2

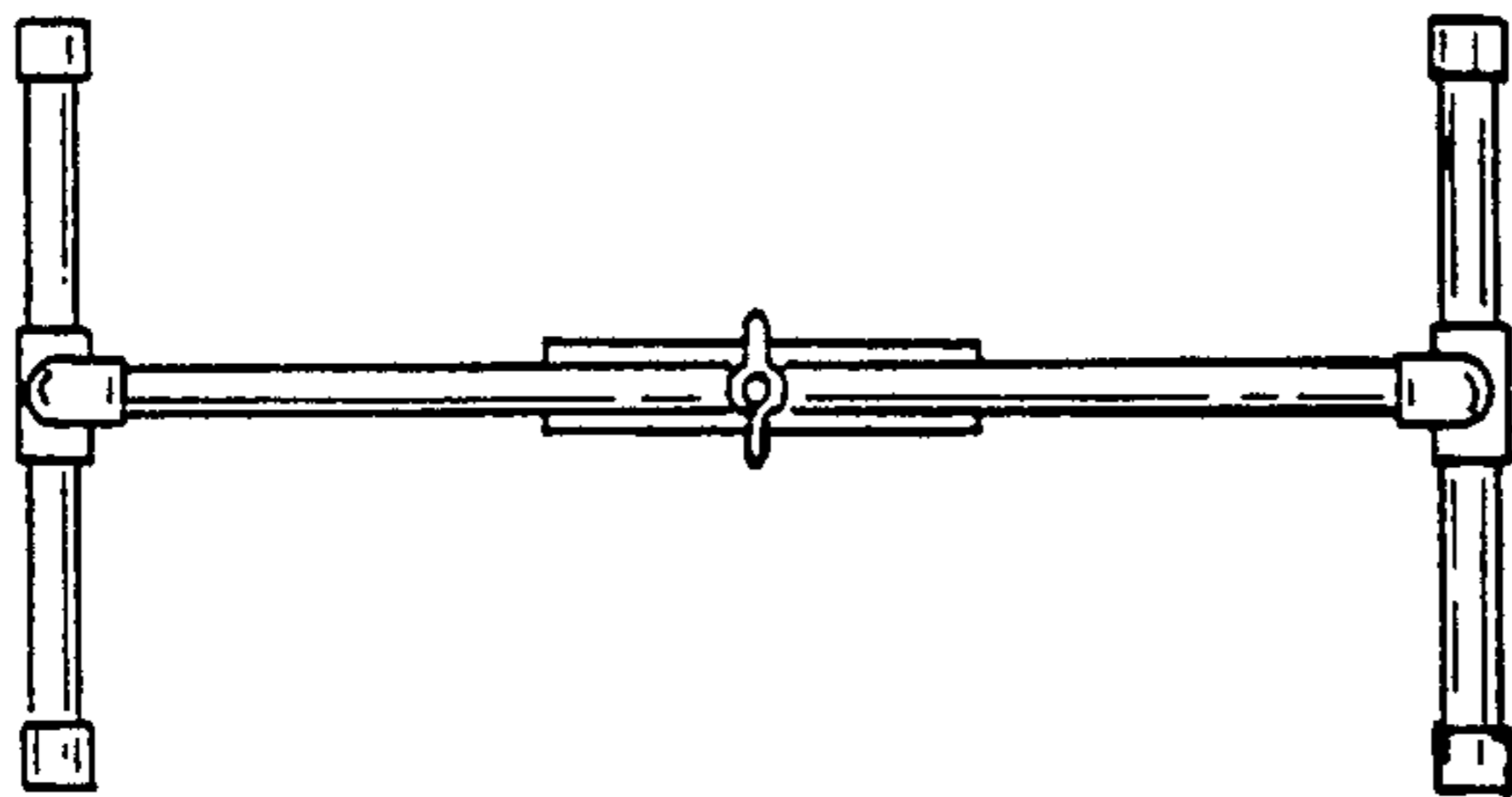


FIG. 3

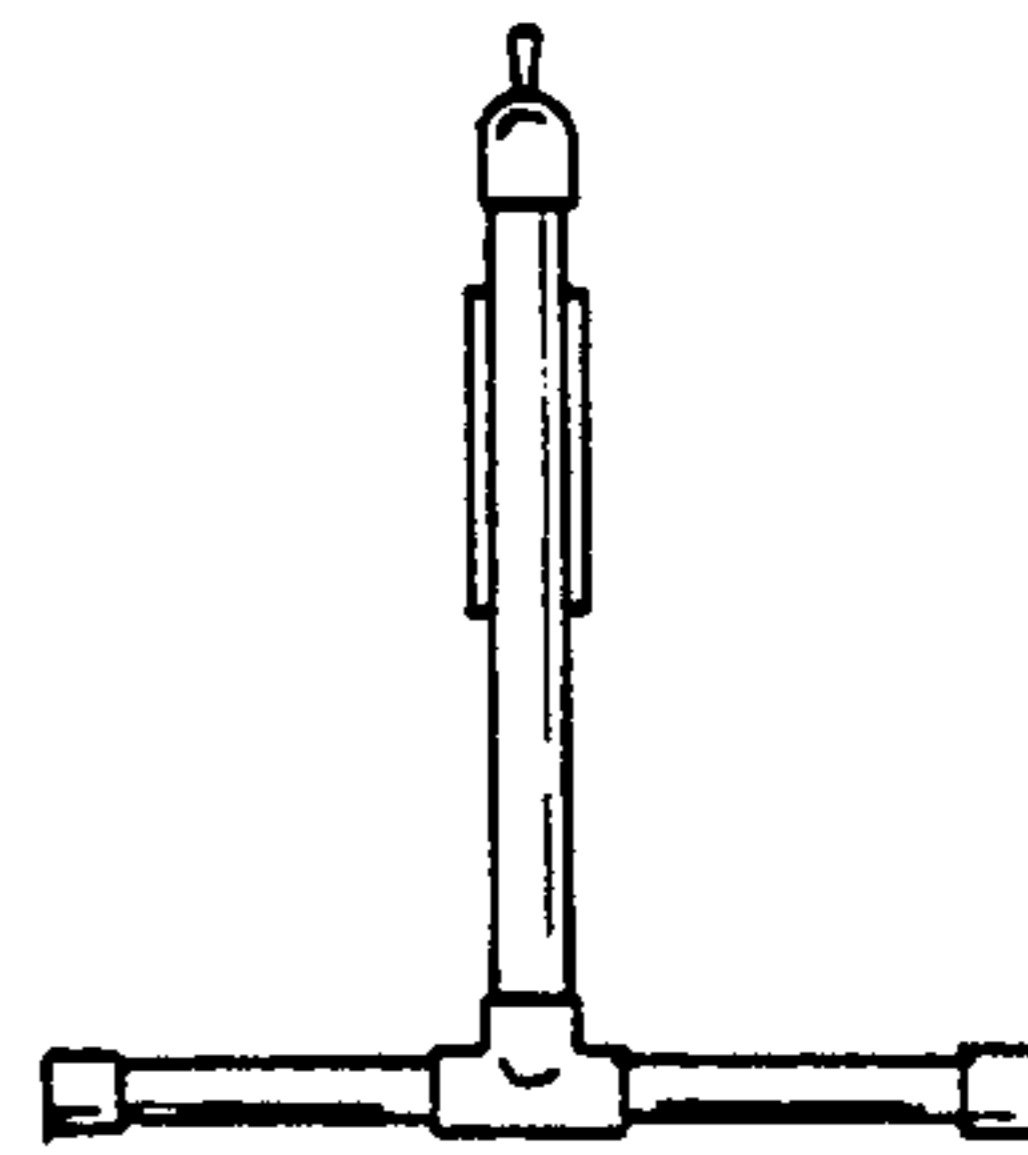


FIG. 4