

[54] COMBINED BROOM AND VACUUM CLEANER OR SIMILAR ARTICLE

2,801,431 8/1957 Eastis 15/105 X
4,208,753 6/1980 Lewis 15/29
4,217,671 8/1980 Rand 15/29

[76] Inventors: Samuel Butcher, Box 97 Valley Manor, Pine Grove; William W. Murner, Rt. 1, Box 225, Middleburg, both of W. Va. 26149

Primary Examiner—Wallace R. Burke
Assistant Examiner—Lavone D. Tabor
Attorney, Agent, or Firm—Terry M. Gernstein

[**] Term: 14 Years

[57] CLAIM

[21] Appl. No.: 196,112

The ornamental design for a broom and vacuum cleaner or similar article, as shown and described.

[22] Filed: May 19, 1988

DESCRIPTION

[52] U.S. Cl. D4/116; D32/33

[58] Field of Search D4/100-102, D4/114-116, 121, 127, 130, 135, 138, 199; 15/22 R, 23-24, 28-29, 105, 159 R, 300.1, 301, 415.1; 401/268; D32/17-18, 22, 31-33

FIG. 1 is a perspective view of a combined broom and vacuum cleaner or similar article showing our new design;

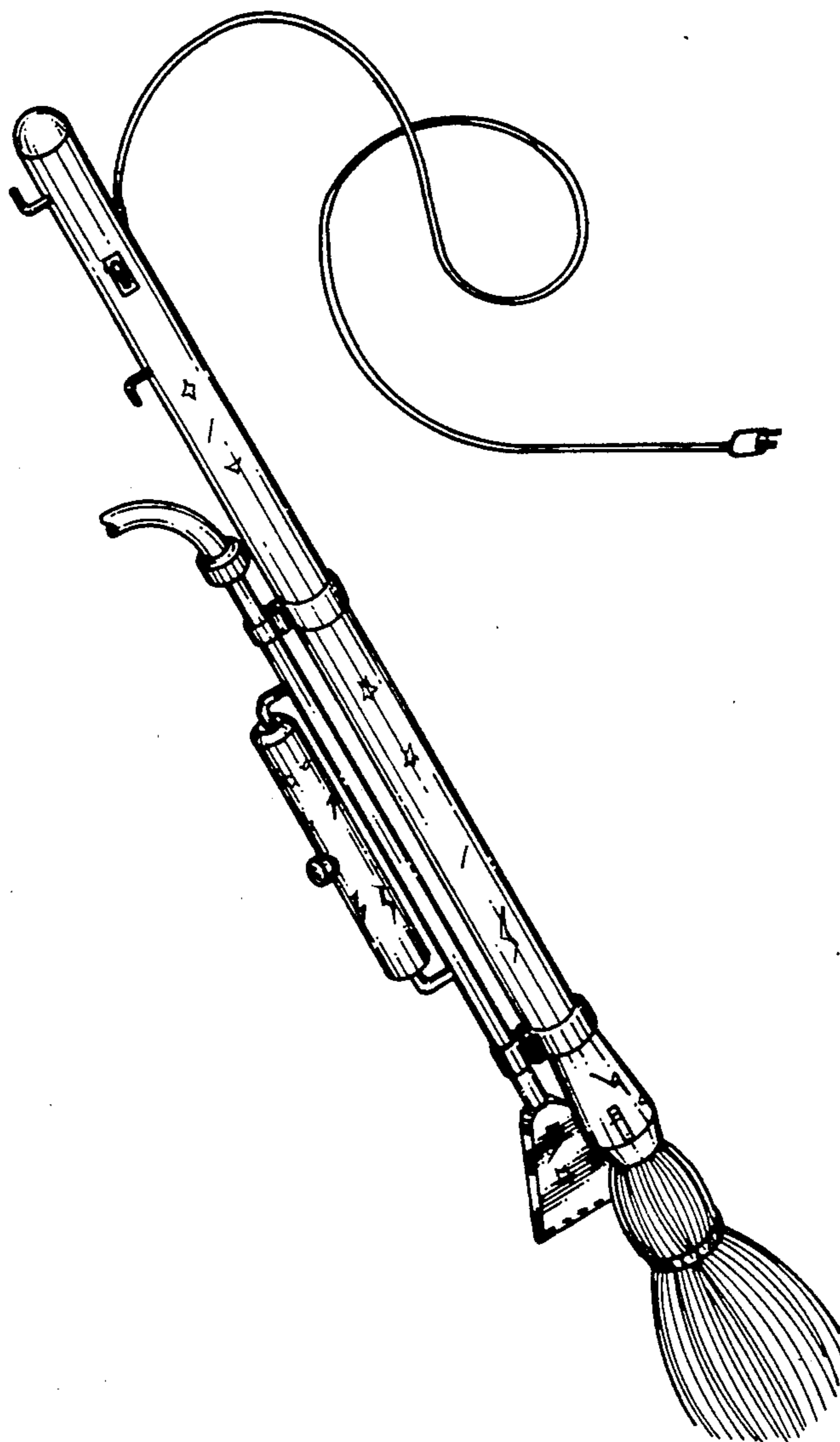
FIG. 2 is a side elevational view thereof, the opposite side, with the exception of the on/off switch near the top of the broom handle, being a mirror image; and FIG. 3 is a front elevational view thereof.

[56] References Cited

U.S. PATENT DOCUMENTS

D. 23,749 10/1894 Lloyd D4/138

The electric cord is partially shown in FIGS. 2 and 3 for ease of illustration only.



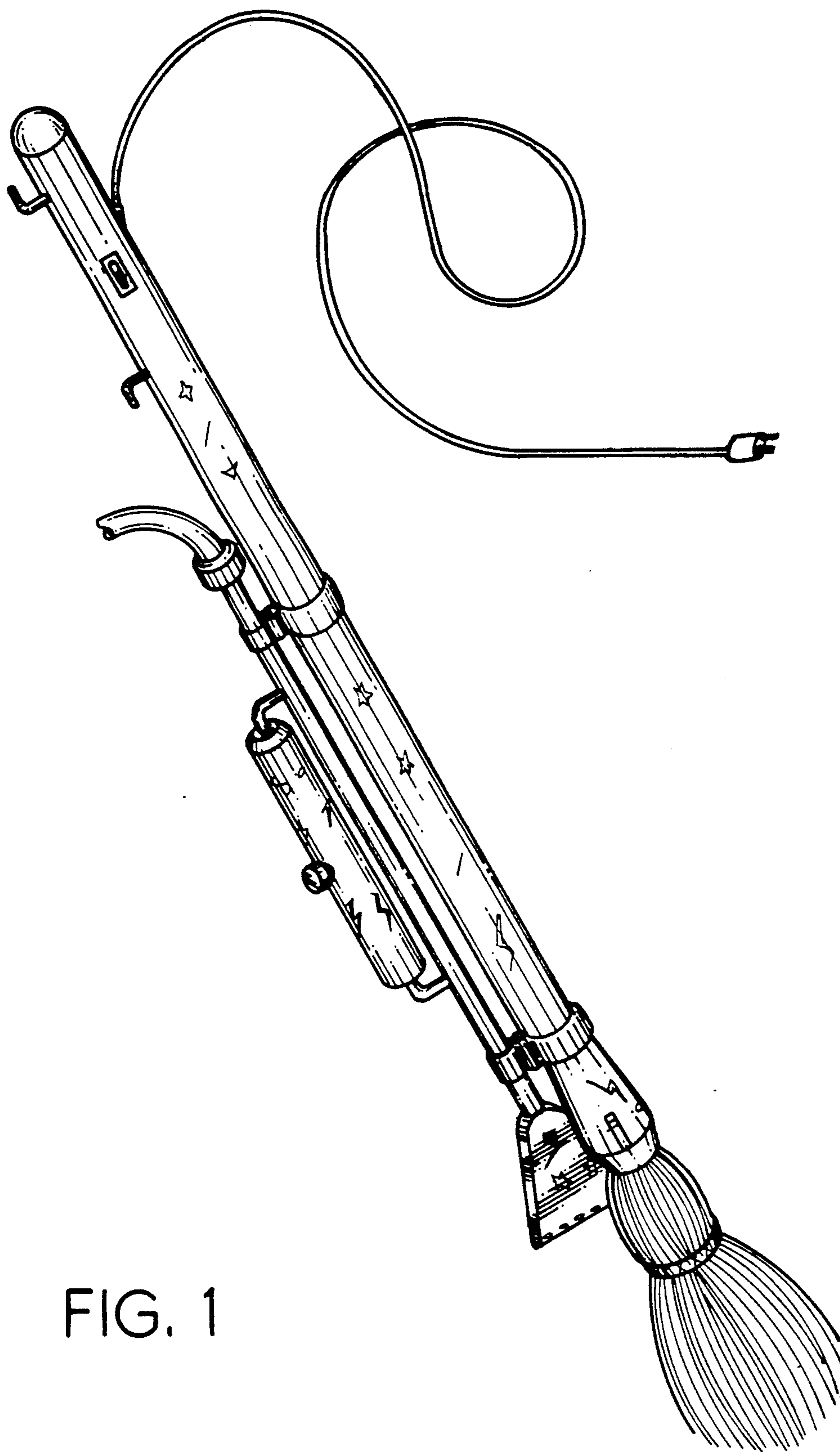


FIG. 1

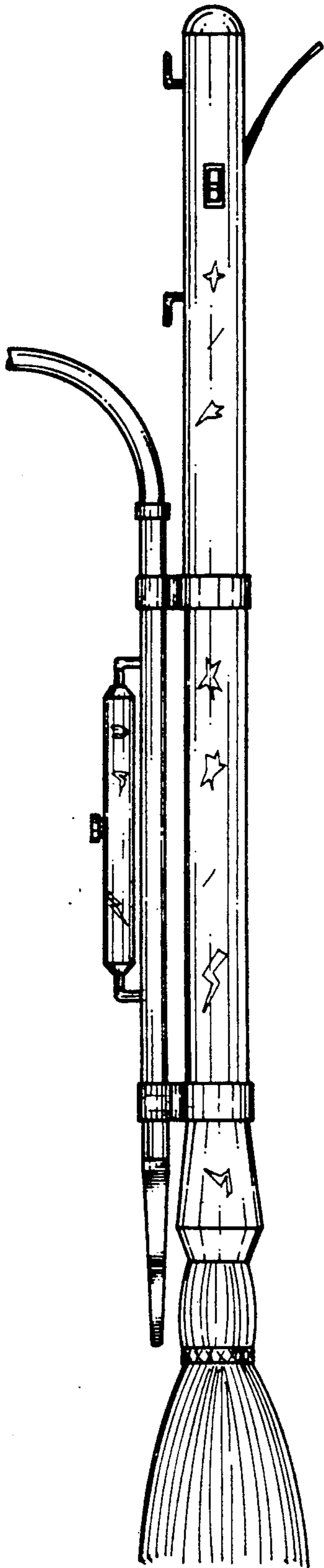


FIG. 2

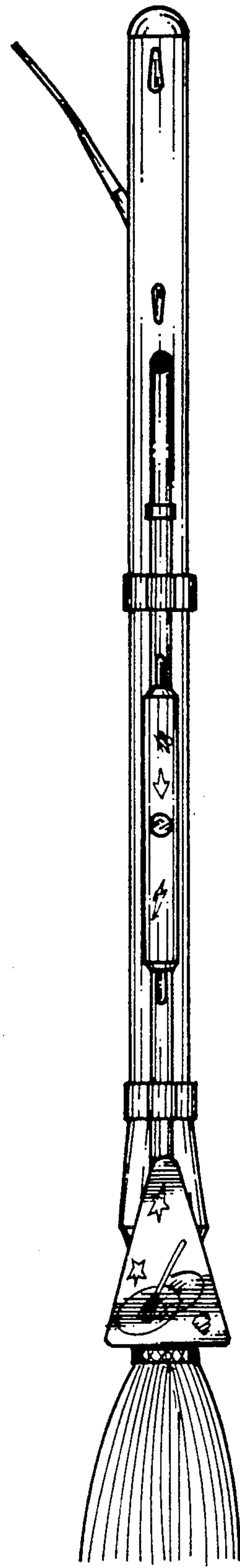


FIG. 3