

[54] ADJUSTABLE LAMP

[75] Inventor: Sacha Ketoff, Ivry, France

[73] Assignee: PAF S.R.L., Italy

[\*\*] Term: 14 Years

[21] Appl. No.: 322,237

[22] Filed: Mar. 13, 1989

[52] U.S. Cl. .... D26/65

[58] Field of Search ..... D26/60-66,  
D26/93, 102-112; 362/410-414, 269, 275, 287,  
418, 419, 427

[56] References Cited

U.S. PATENT DOCUMENTS

- D. 195,533 6/1963 Aneshansley ..... D26/65
- D. 209,317 11/1967 Hirose ..... D26/65
- D. 271,526 11/1983 Zeller ..... D26/60
- 4,819,138 4/1989 Polick ..... 362/427 X

FOREIGN PATENT DOCUMENTS

1034488 4/1953 France ..... 362/413

OTHER PUBLICATIONS

Homelighting & Accessories, 2-1987, p. 60, "Zed" Night Lamp.

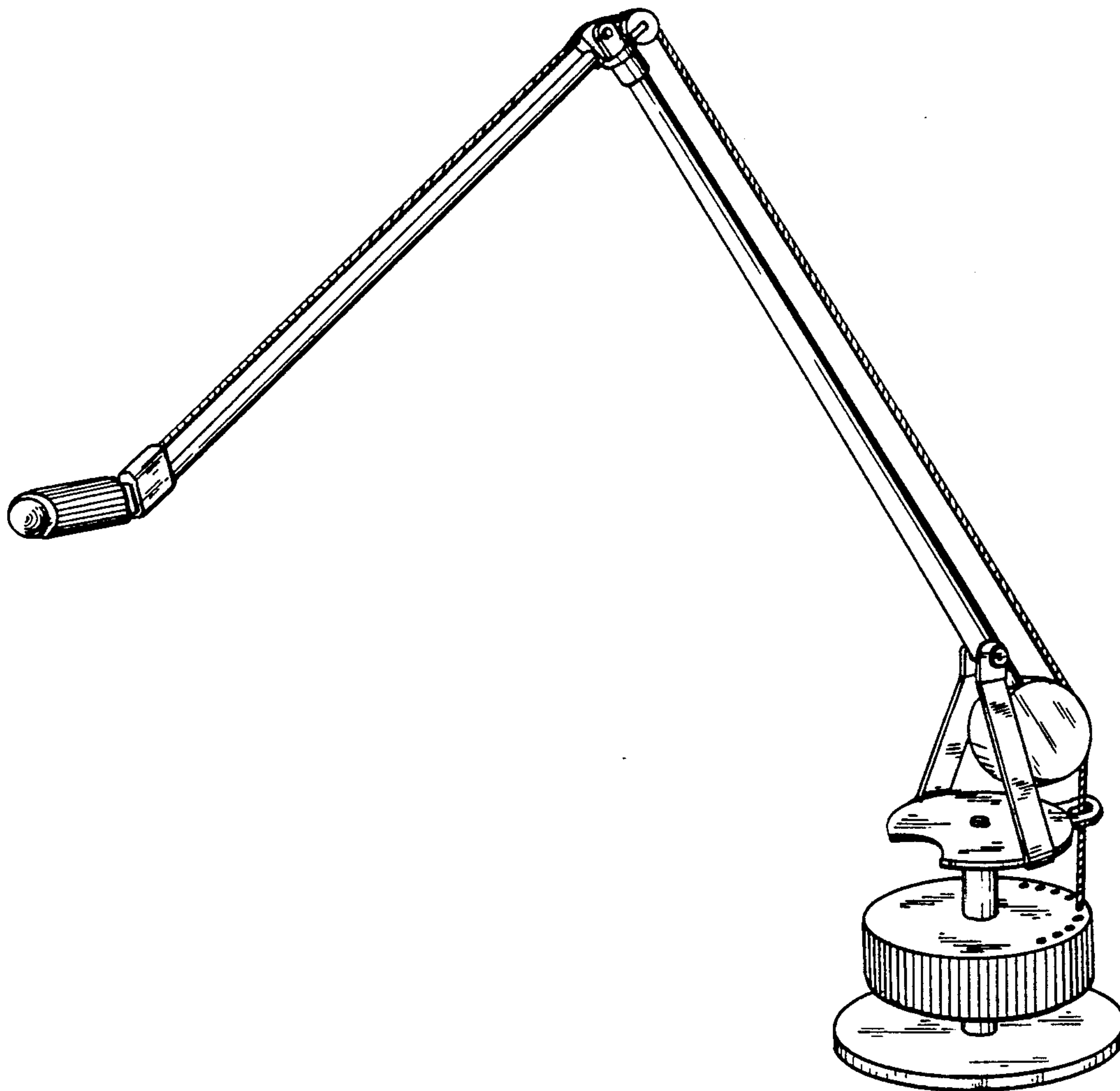
Primary Examiner—Susan J. Lucas  
Attorney, Agent, or Firm—Lerner, David, Littenberg, Krumholz & Mentlik

[57] CLAIM

The ornamental design for an adjustable lamp, as shown and described.

DESCRIPTION

FIG. 1 is a front perspective view of an adjustable lamp showing our new design;  
FIG. 2 is a left side elevational view thereof;  
FIG. 3 is a right side elevational view thereof;  
FIG. 4 is a rear elevational view thereof;  
FIG. 5 is a front elevational view thereof;  
FIG. 6 is a top plan view thereof;  
FIG. 7 is a bottom plan view thereof.



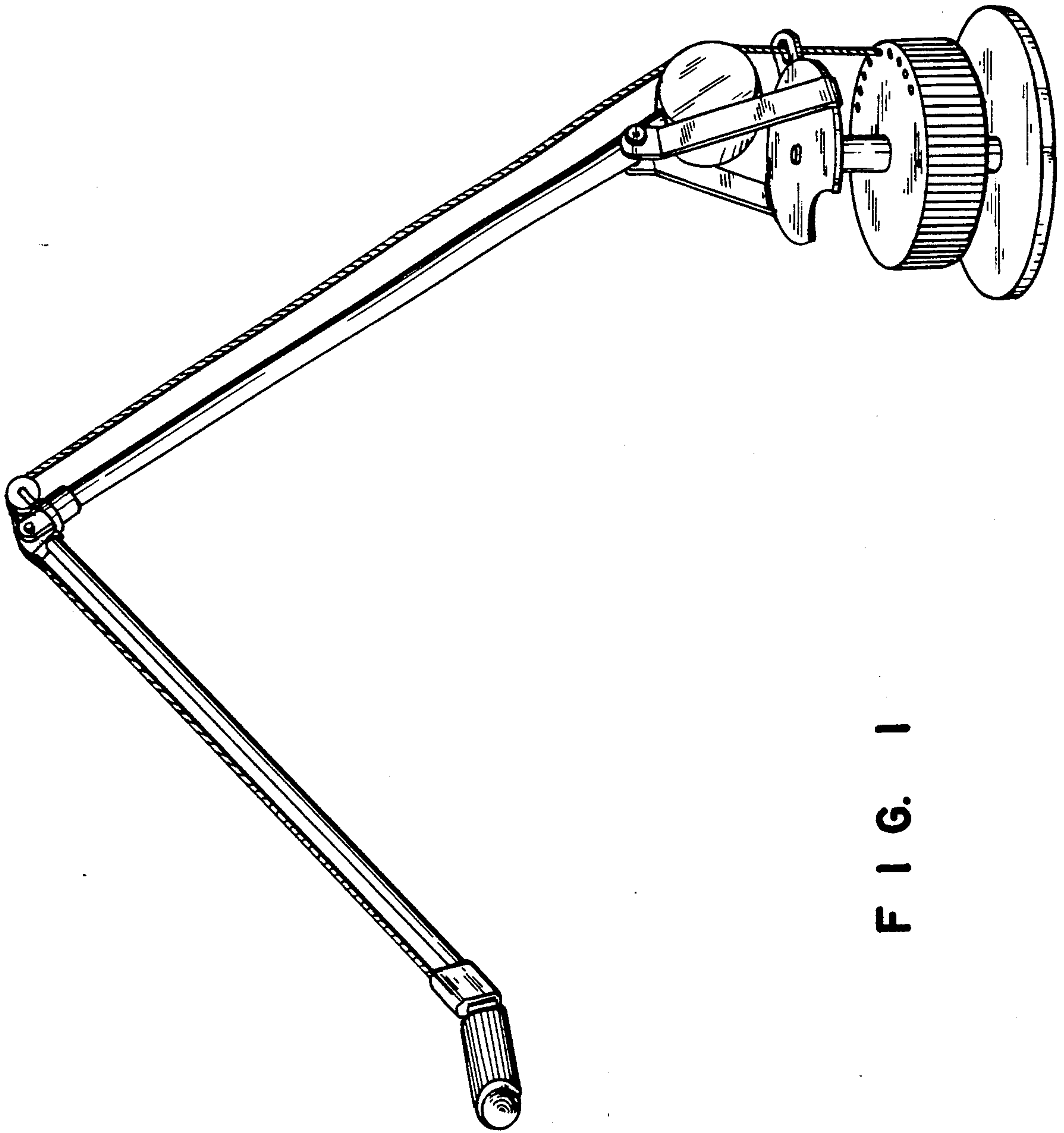


FIG. 1

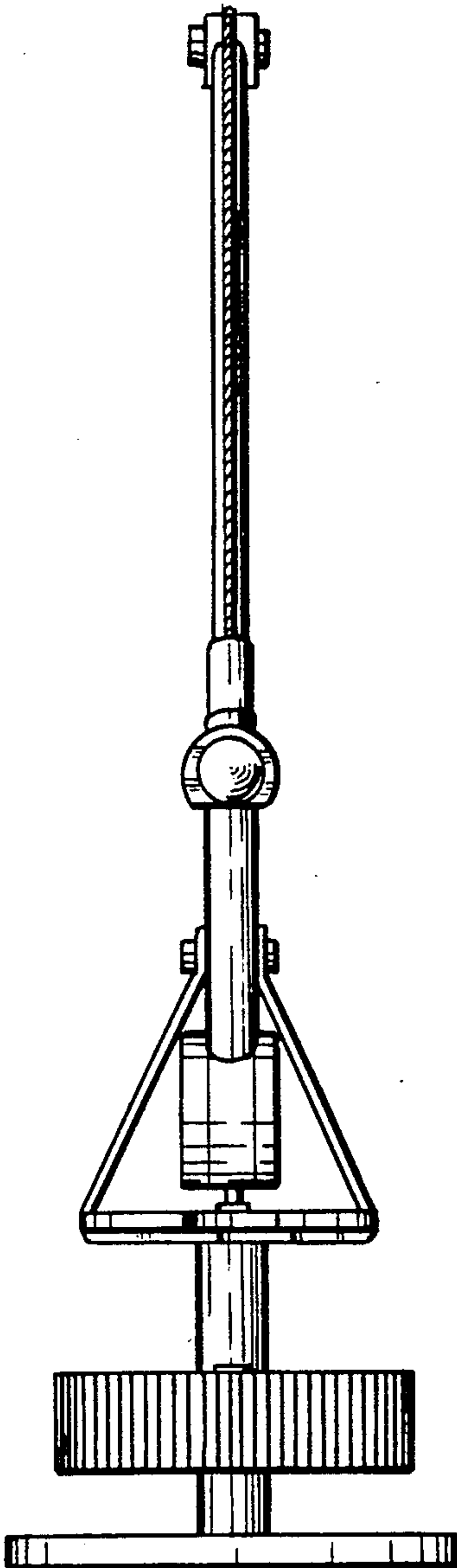


FIG. 2

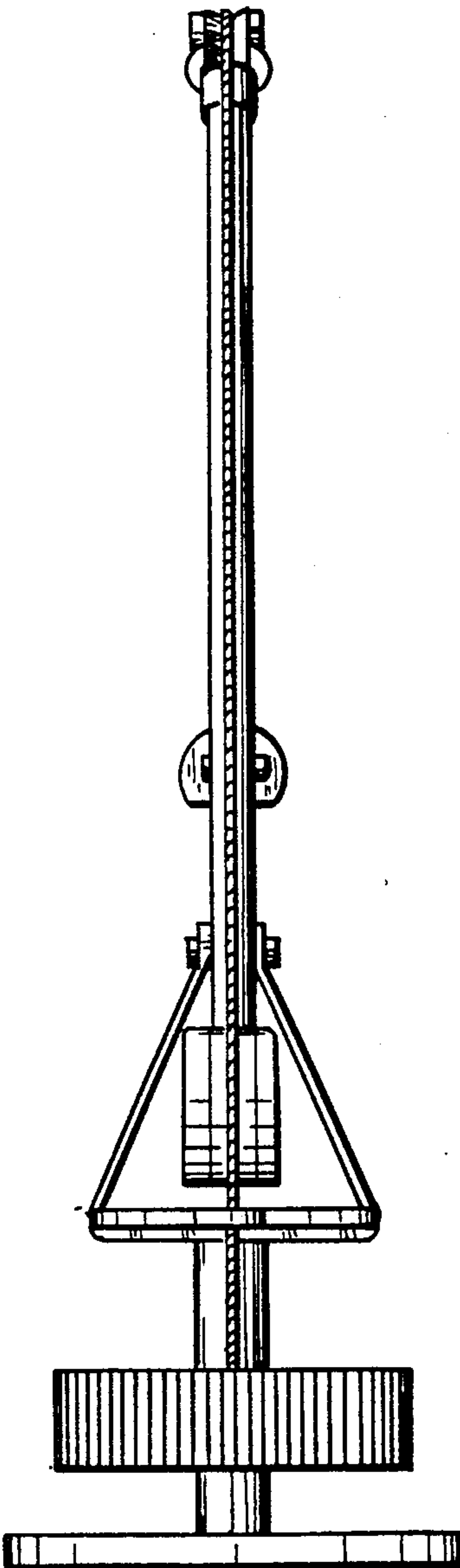


FIG. 3

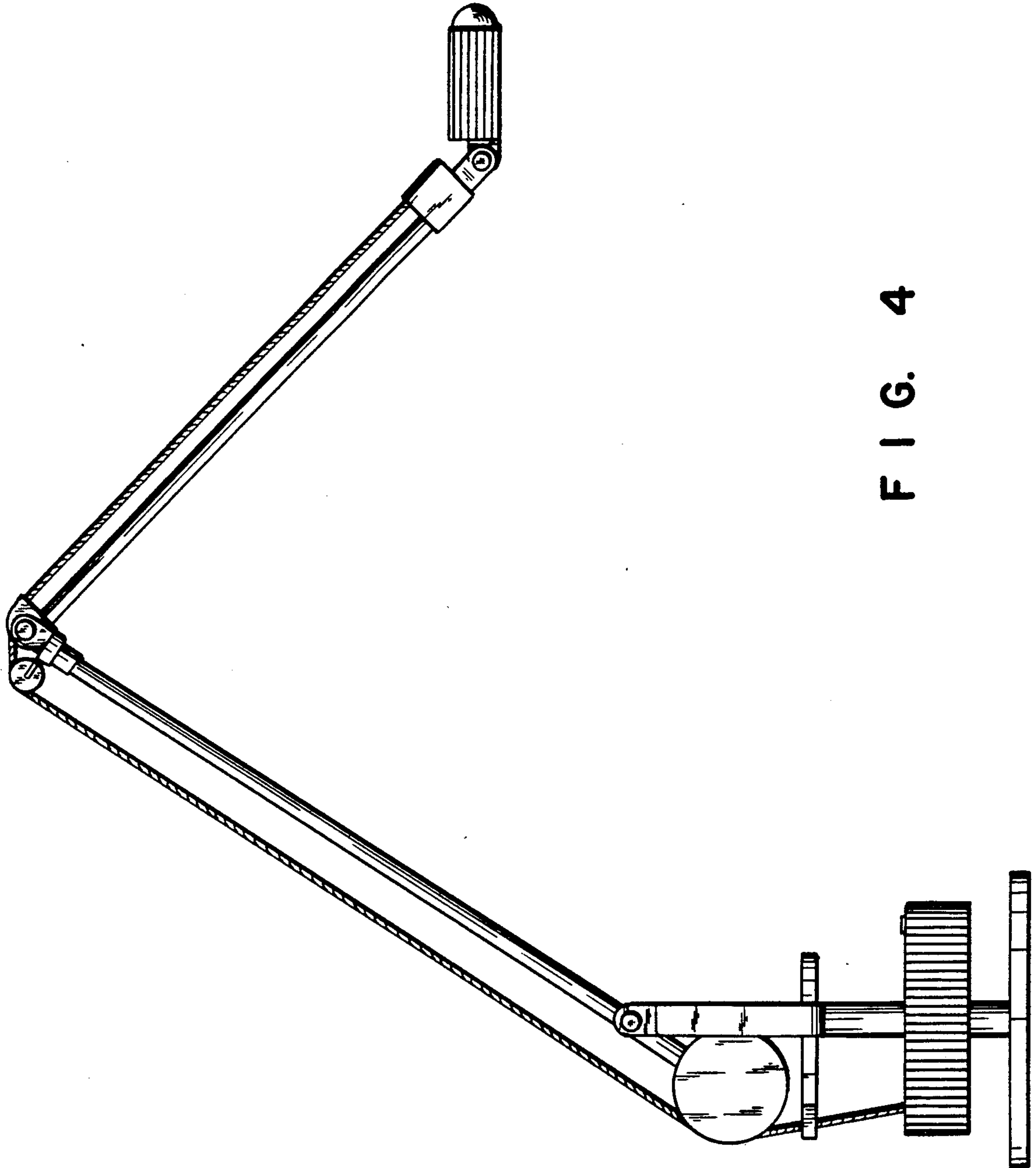


FIG. 4

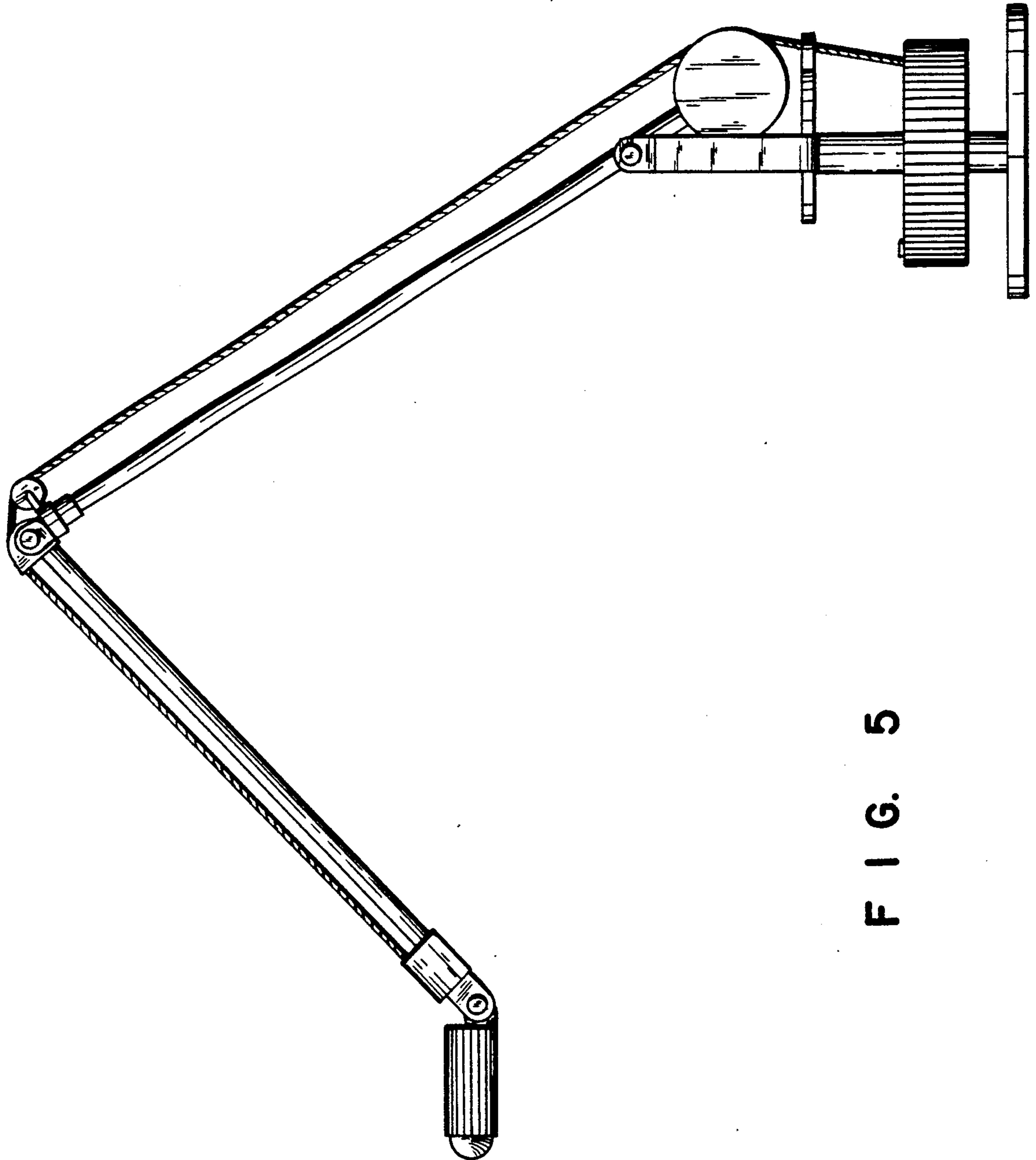


FIG. 5

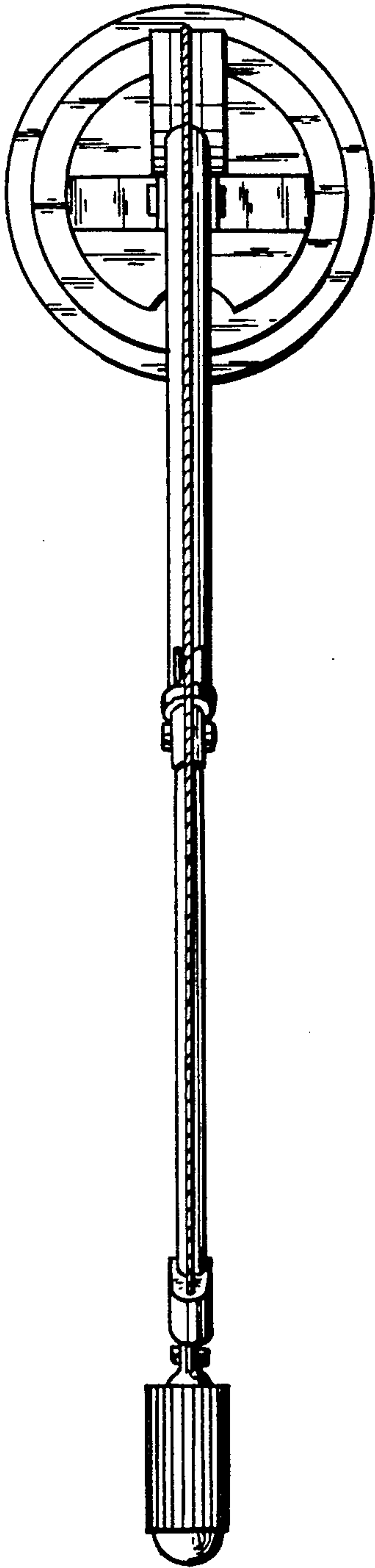


FIG. 6

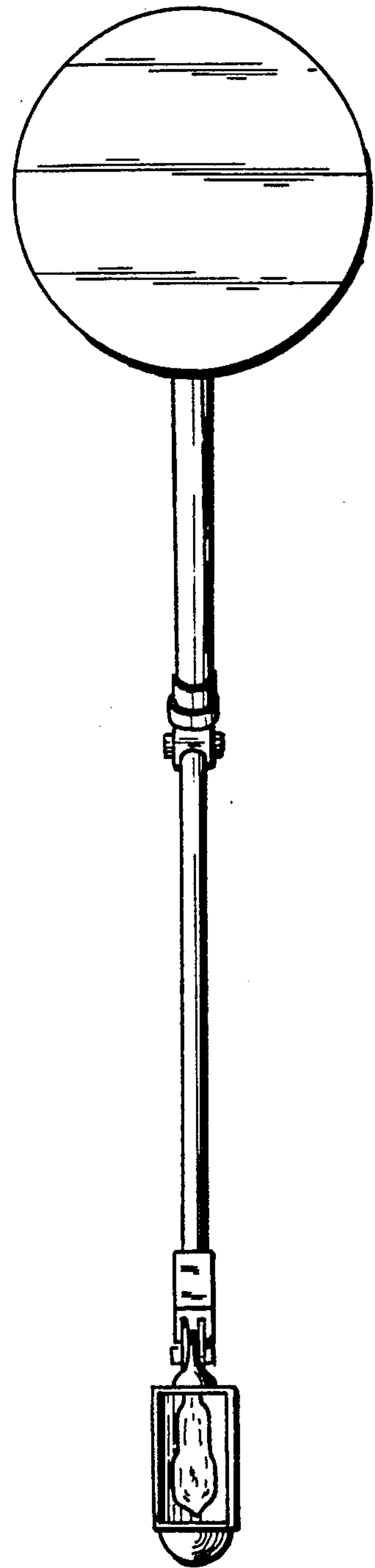


FIG. 7