

[54] COMBINED BATTERY OPERATED LANTERN AND WATERPROOF CAP

[76] Inventor: Kenneth L. W. Hau, c/o Room 902, Chevalier House, 45-51 Chatham Rd., South, Tsimshatsui, Kowloon, Hong Kong

[**] Term: 14 Years

[21] Appl. No.: 269,654

[22] Filed: Nov. 10, 1988

[52] U.S. Cl. D26/38; D26/42

[58] Field of Search D26/37-50; 362/157-158, 191-208, 183-190

[56] References Cited

U.S. PATENT DOCUMENTS

D. 241,672	9/1976	Wolfe	D26/37
3,870,843	3/1975	Wittl	362/189 X
4,432,043	2/1984	Yuen	362/184
4,524,409	6/1985	Yakubek	362/200 X

OTHER PUBLICATIONS

"Hong Kong Enterprise" item Light, 1-1985, p. 120.
"Hong Kong Enterprise" item Flashlight, 11-1984, p. 95.

Primary Examiner—Susan J. Lucas

Assistant Examiner—M. H. Tung

[57] CLAIM

The ornamental design for a combined battery operated lantern and waterproof cap, as shown and described.

DESCRIPTION

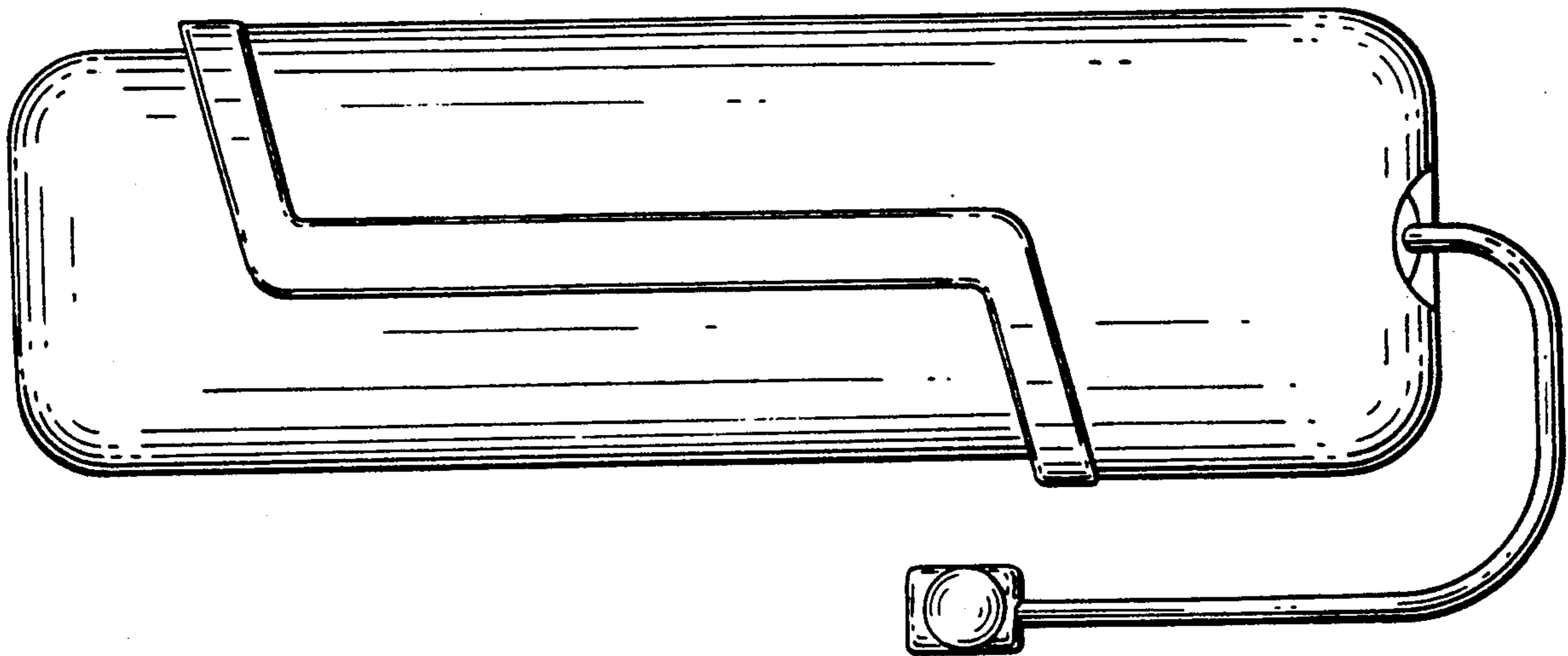
FIG. 1 is a top plan view of a combined battery operated lantern and waterproof cap showing my new design;

FIG. 2 is a front elevational view thereof, the rear view being a mirror image;

FIG. 3 is the bottom plan view thereof;

FIG. 4 is a left side elevational view thereof, a strap being omitted for ease of illustration;

FIG. 5 is a right side elevational view thereof.



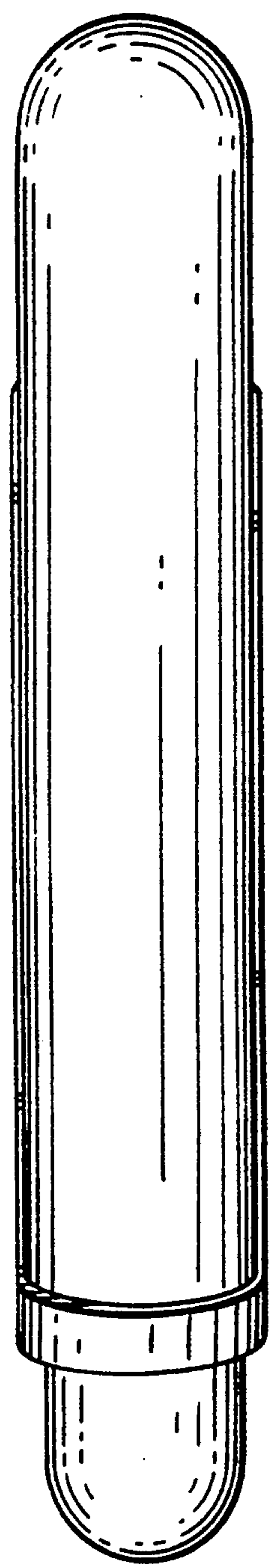


FIG. 1

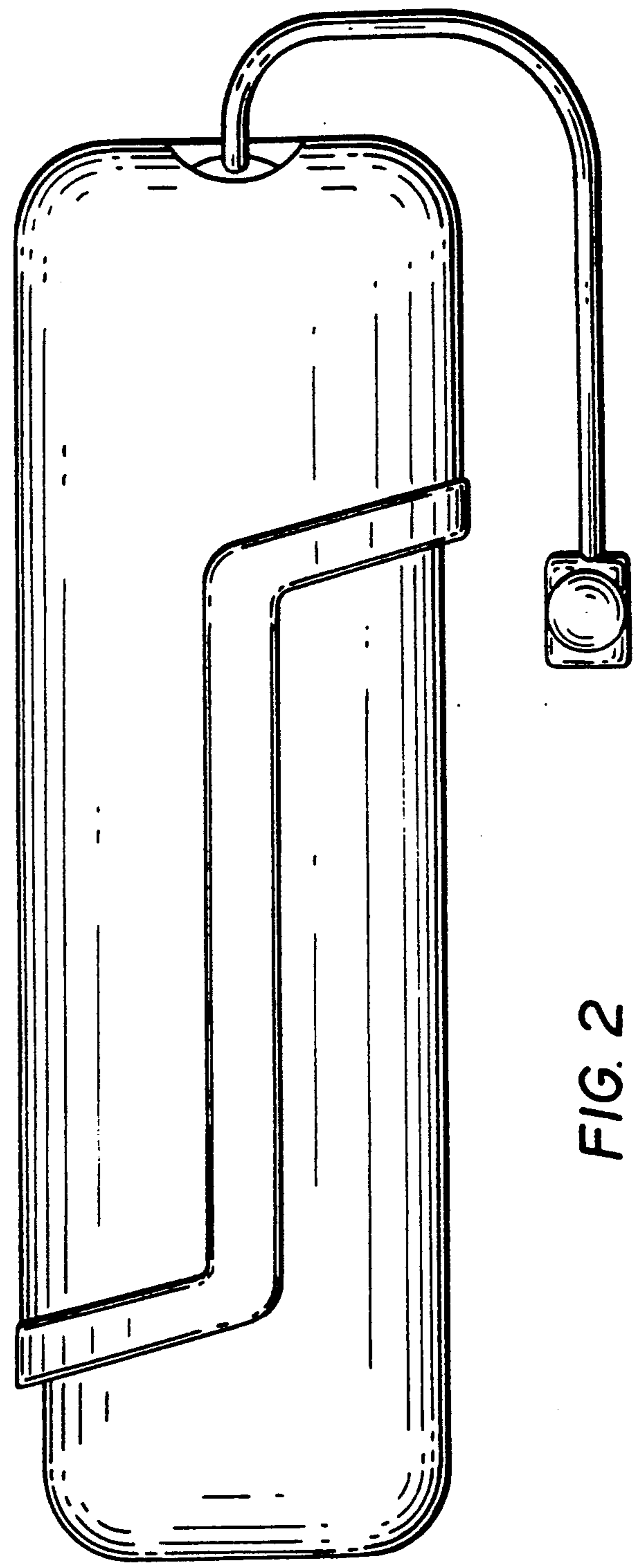


FIG. 2

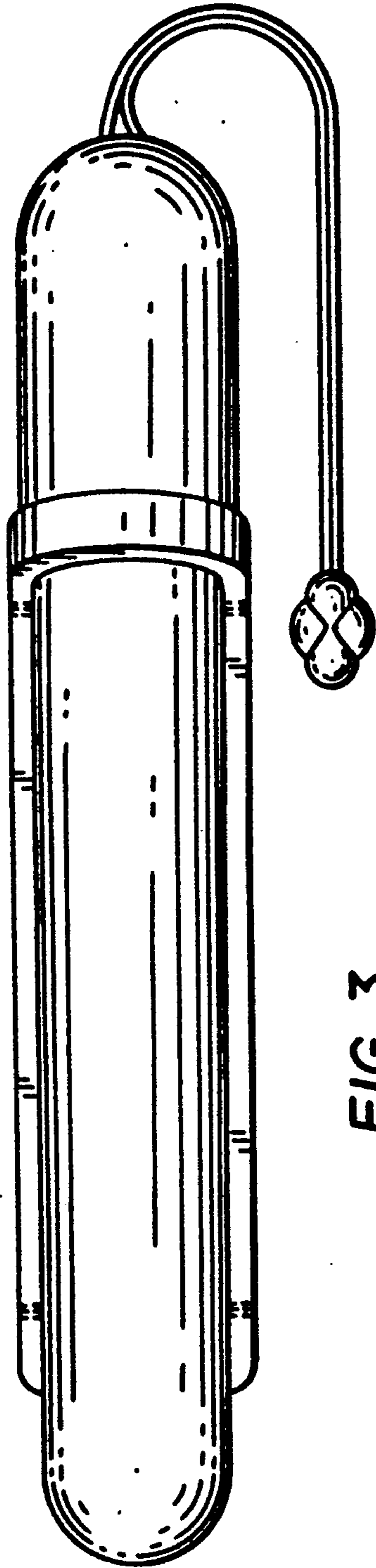


FIG. 3

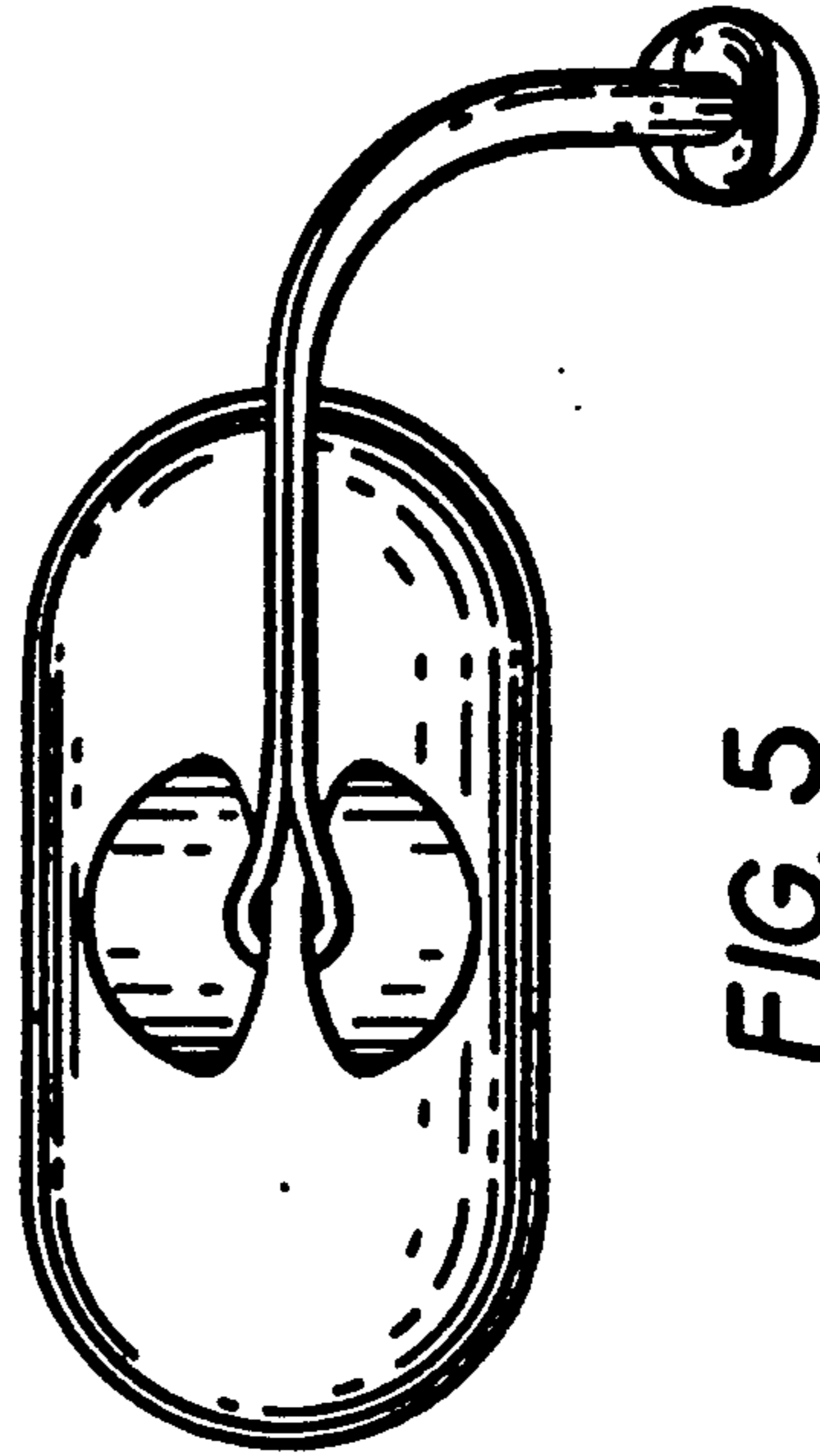


FIG. 5

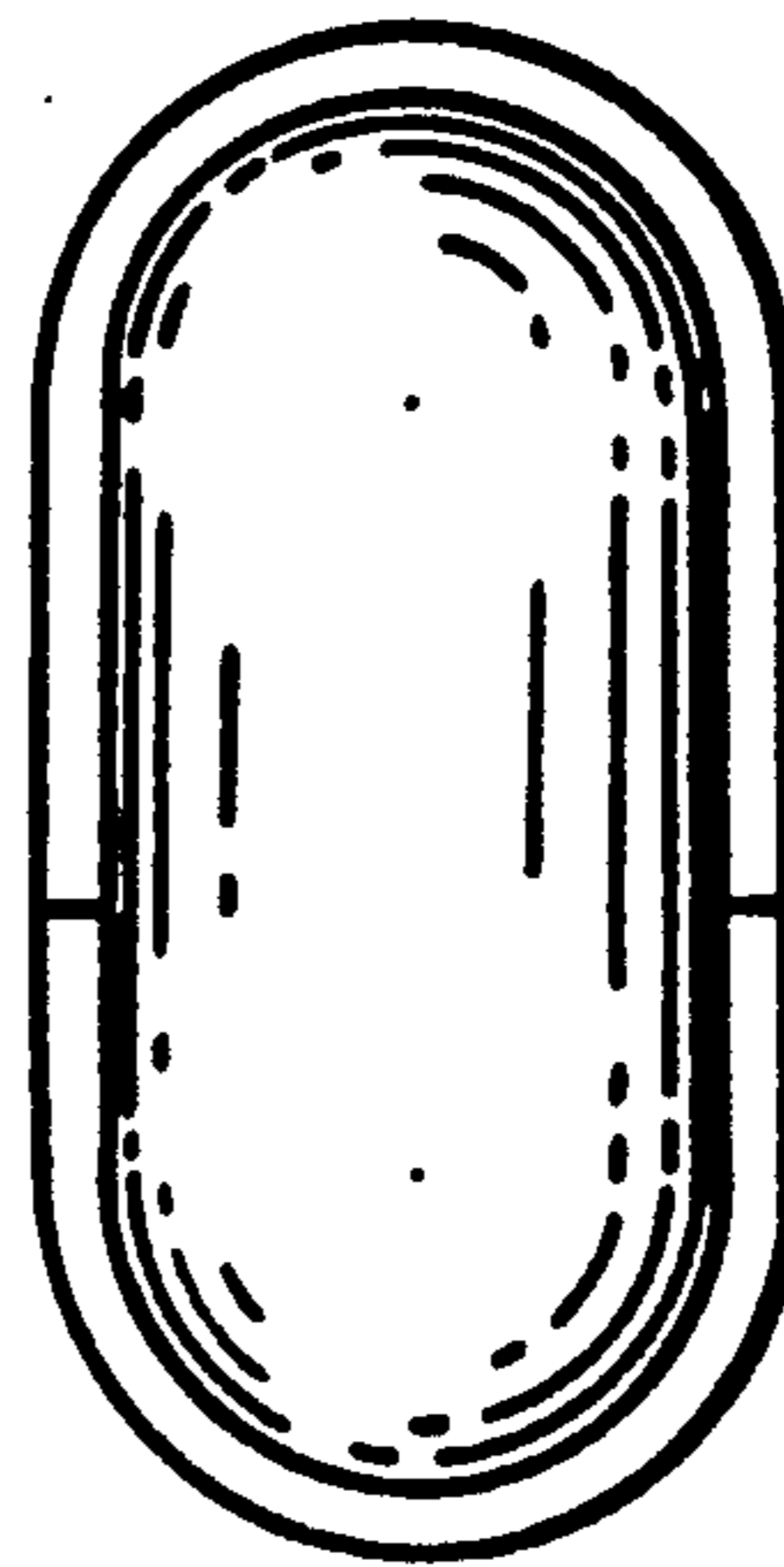


FIG. 4