

[54] ELEMENT OF A MOVEABLE GRATE SURFACE FOR INCINERATORS

[75] Inventors: Hans B. Andersen, Mundelstrup; Allan Sorensen, Åbyhoj; Per Jespersen, Rude, all of Denmark

[73] Assignee: B & S Miljoteknik, Aarhus, Denmark

[**] Term: 14 Years

[21] Appl. No.: 176,342

[22] Filed: Mar. 31, 1988

[30] Foreign Application Priority Data

Oct. 2, 1987 [SE] Sweden 87-2182
[52] U.S. Cl. D23/397
[58] Field of Search D23/397, 402; 110/281, 110/291, 328; 198/773; 126/152 B

[56] References Cited

U.S. PATENT DOCUMENTS

1,818,661 8/1931 Weigel 110/281
4,240,402 12/1980 Martin et al. 126/152 B
4,320,710 3/1982 Steiner et al. 198/773
4,450,952 5/1984 Steiner 110/328
4,548,139 10/1985 Weber 110/281
4,771,710 9/1988 Cocchi 110/281
4,793,471 12/1988 Bartels 198/773

FOREIGN PATENT DOCUMENTS

716690 1/1942 Fed. Rep. of Germany 110/281

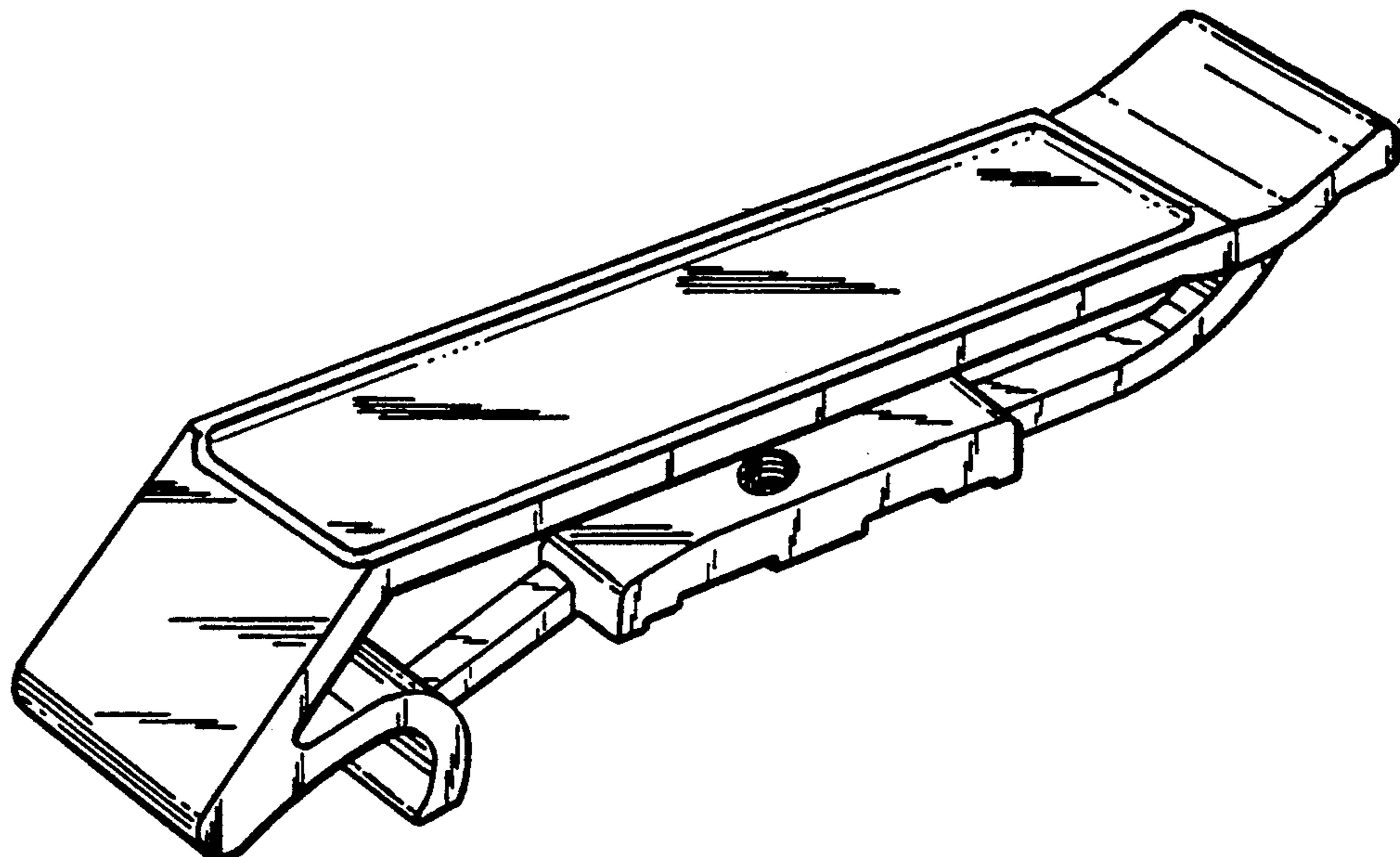
Primary Examiner—James M. Gandy
Assistant Examiner—Lisa Lichtenstein
Attorney, Agent, or Firm—Shapiro and Shapiro

[57] CLAIM

The ornamental design for an element of a moveable grate surface for incinerators, as shown and described.

DESCRIPTION

FIG. 1 is a top perspective view of an element of a moveable grate surface for incinerators showing our new design;
FIG. 2 is a side elevation view thereof, the opposite side being a mirror image of that shown;
FIG. 3 is a bottom perspective view thereof;
FIG. 4 is a top perspective view of an element of a moveable grate surface for incinerators, showing a second embodiment of our new design;
FIG. 5 is a side elevation view of FIG. 4, the opposite side being a mirror image of that shown;
FIG. 6 is a bottom perspective view of FIG. 4;
FIG. 7 is a top perspective view of an element of a moveable grate surface for incinerators, showing a third embodiment of our new design;
FIG. 8 is a side elevation view of FIG. 7, the opposite side being a mirror image of that shown;
FIG. 9 is a bottom perspective view of FIG. 7;
FIG. 10 is a top perspective view of an element of a moveable grate surface for incinerators, showing a fourth embodiment of our new design;
FIG. 11 is a side elevation view of FIG. 10, the opposite side being a mirror image of that shown;
FIG. 12 is a bottom perspective view of FIG. 10;
FIG. 13 is a top perspective view of an element of a moveable grate surface for incinerators showing a fifth embodiment of our new design;
FIG. 14 is a side elevation view of FIG. 13, the opposite side being a mirror image of that shown; and
FIG. 15 is a bottom perspective view of FIG. 13.



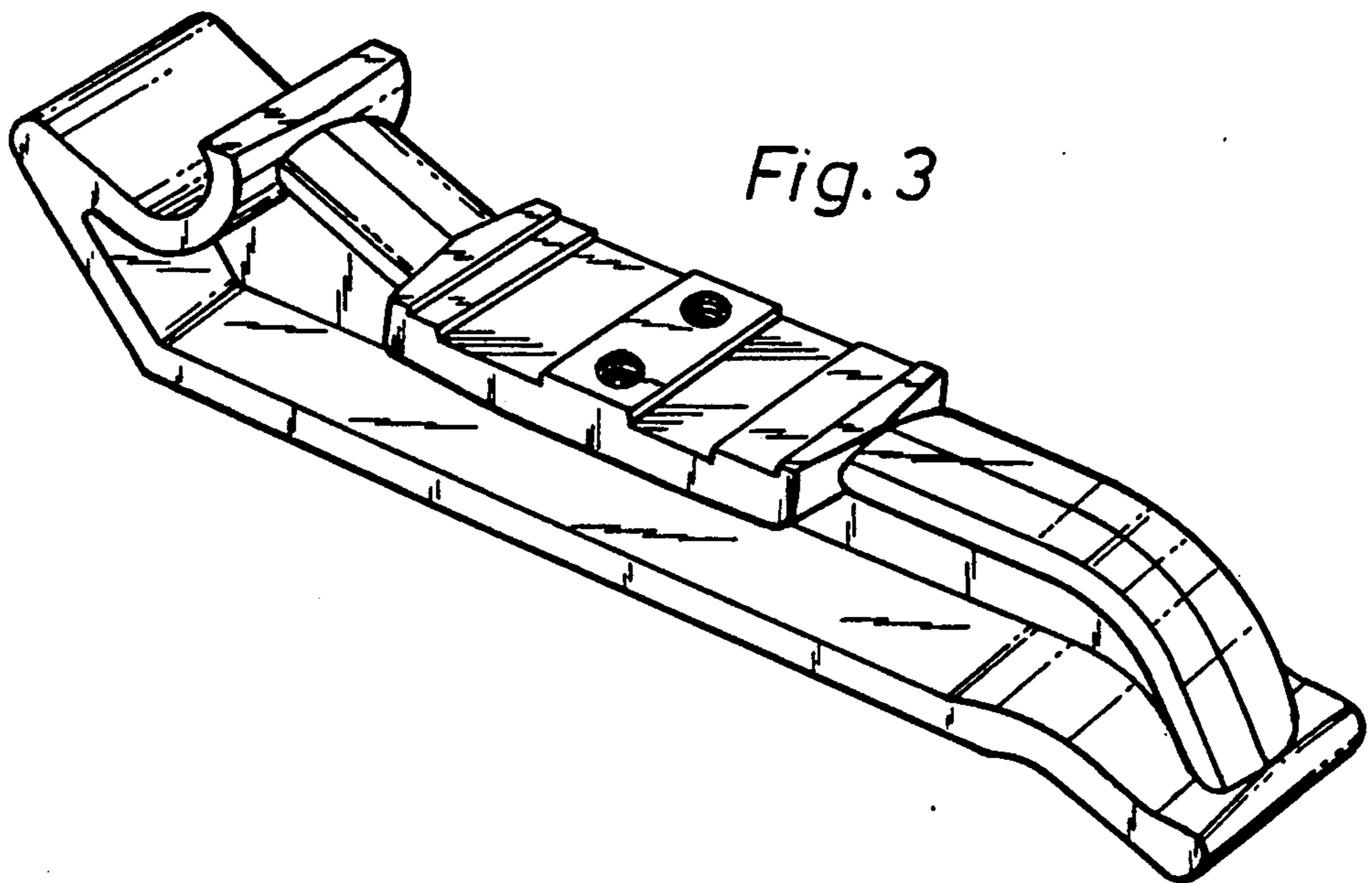
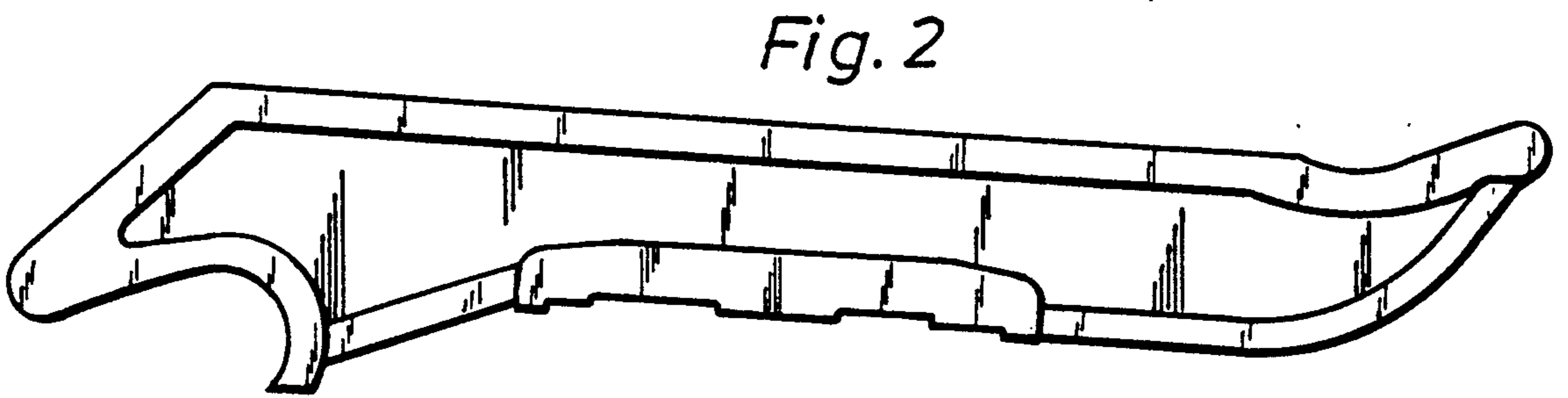
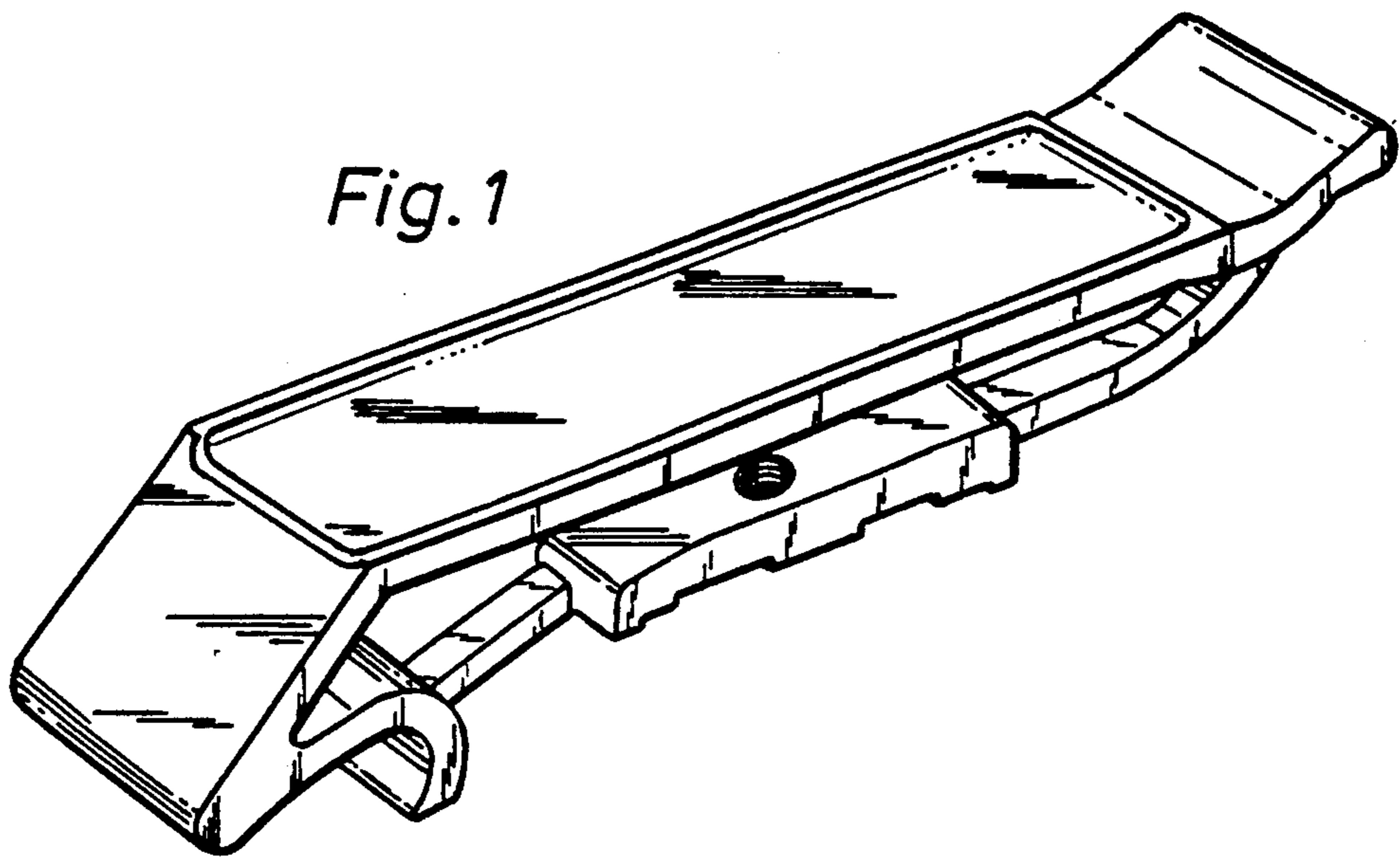


Fig. 4

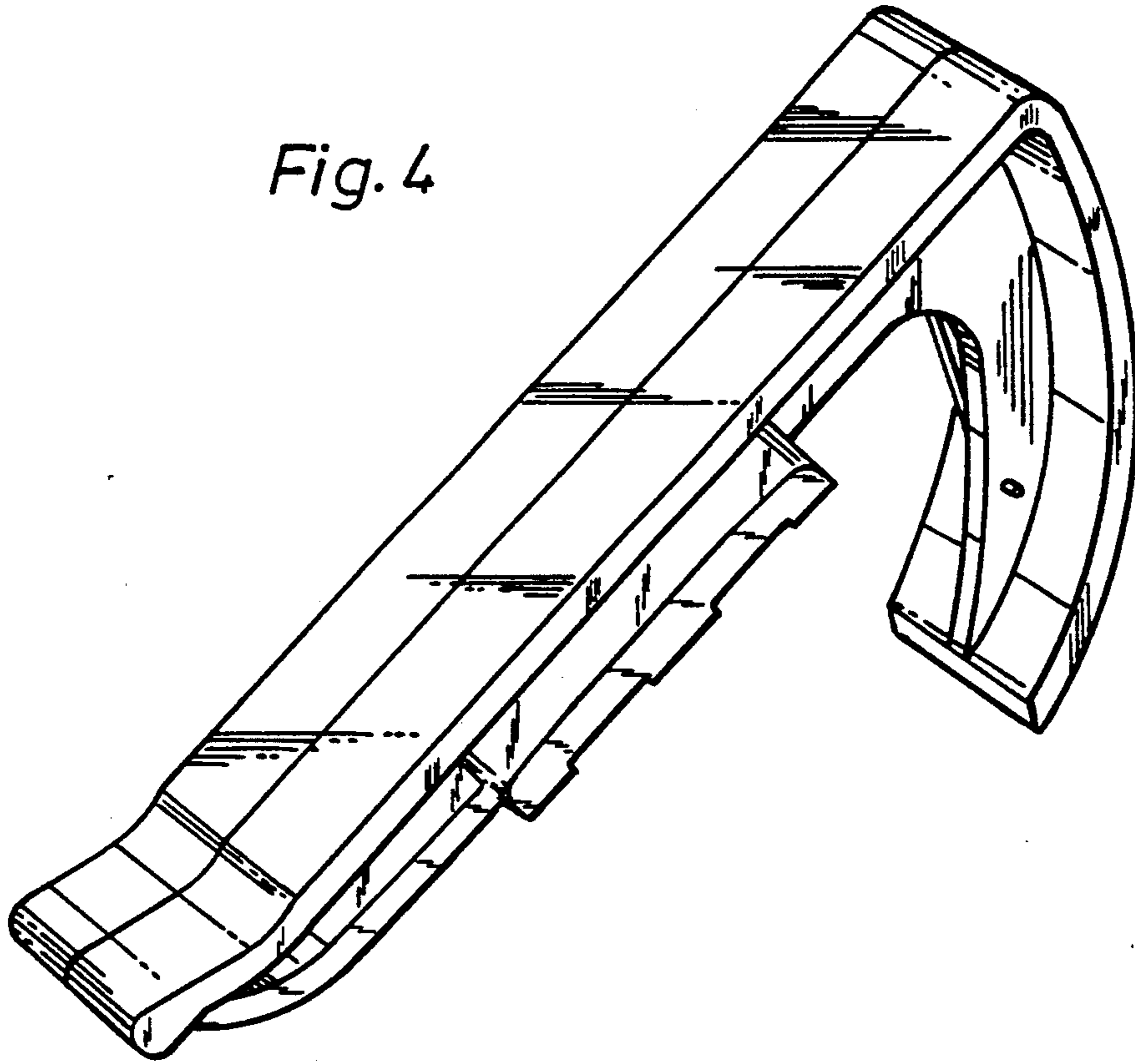
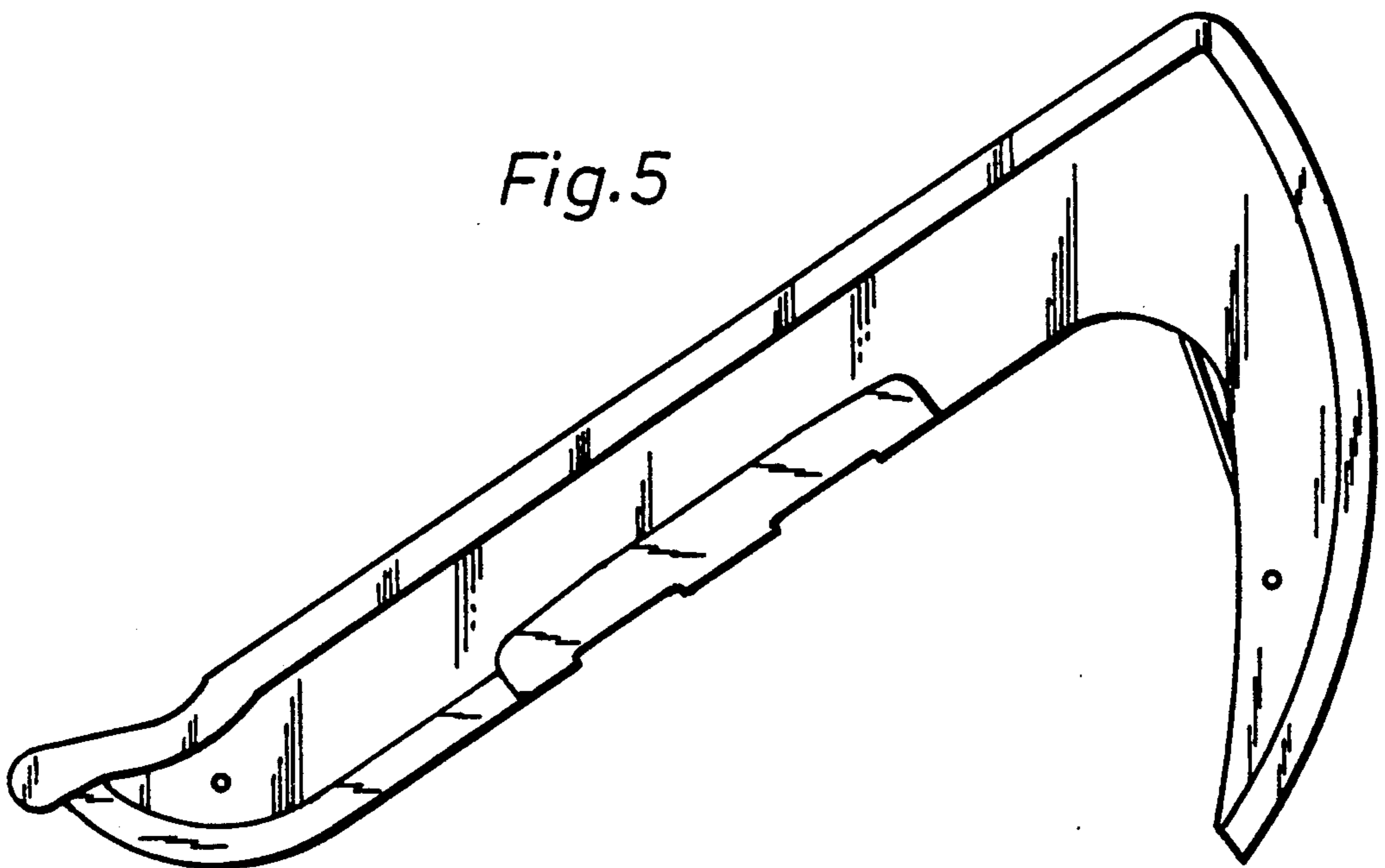


Fig. 5



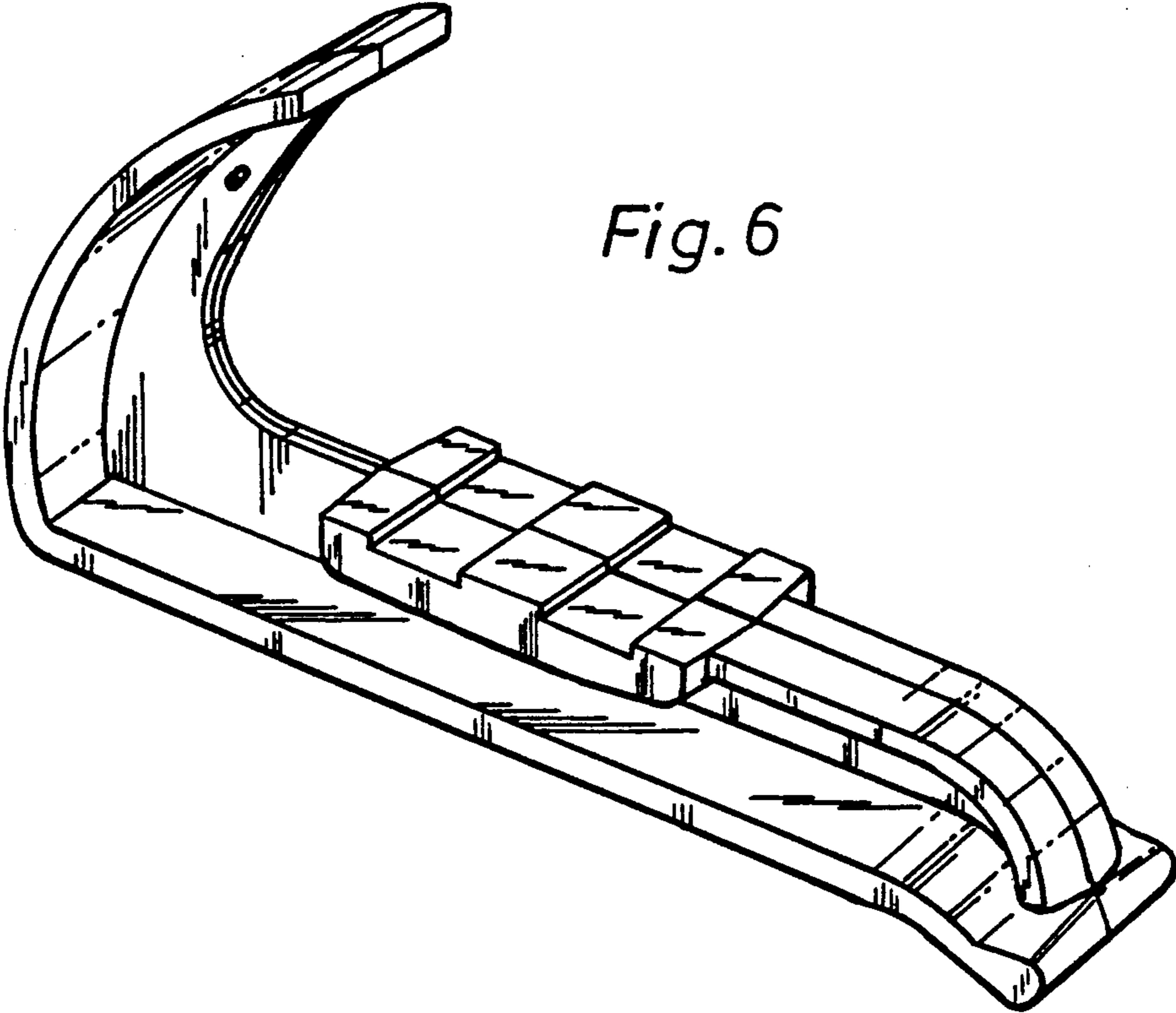


Fig. 6

Fig. 7

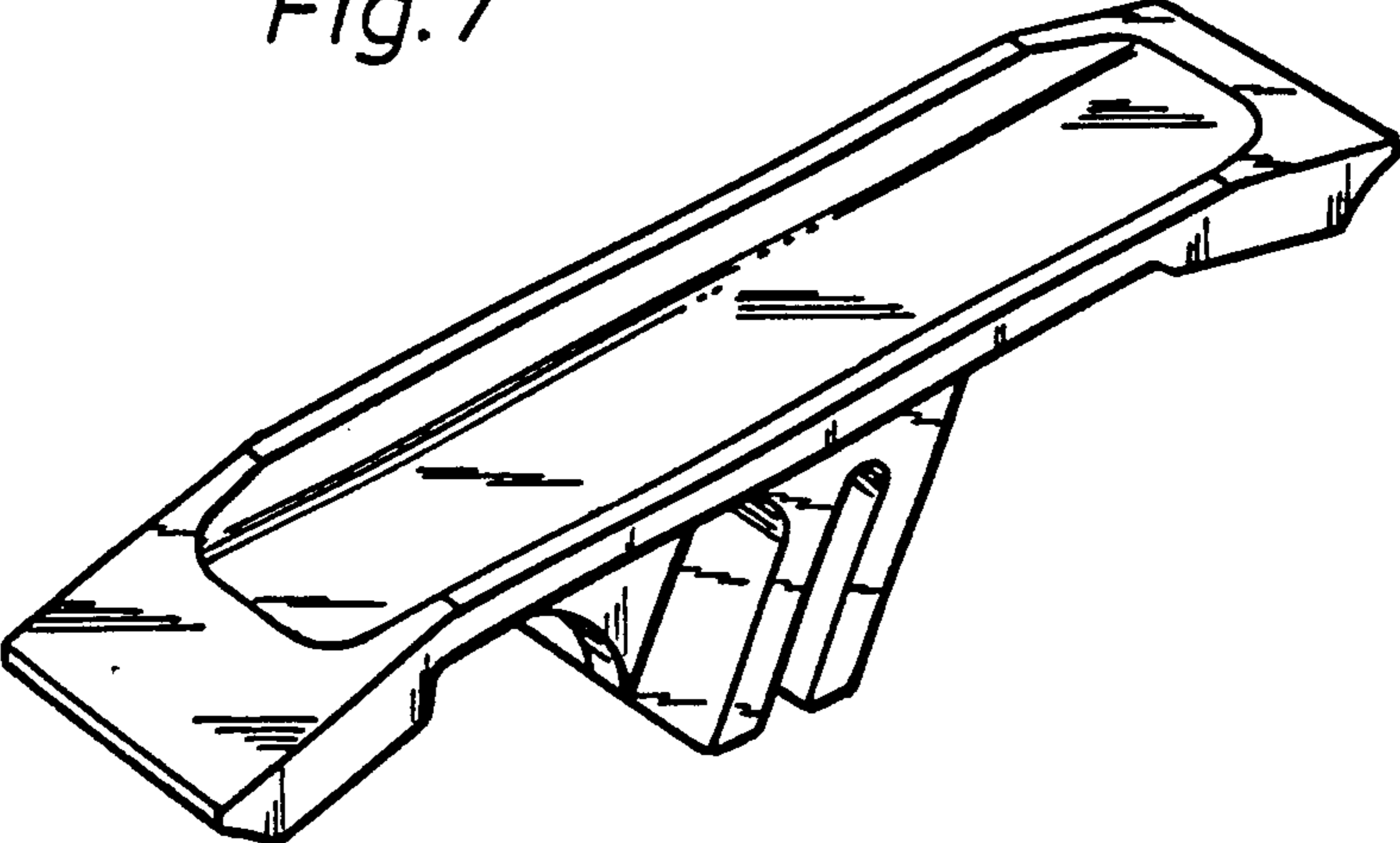


Fig. 8

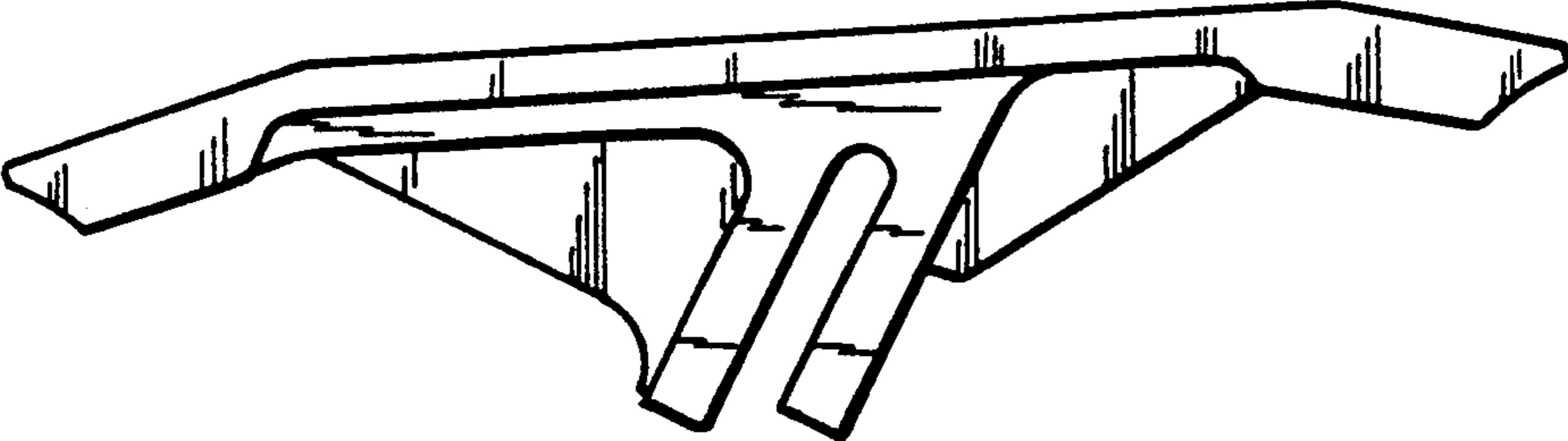


Fig. 9

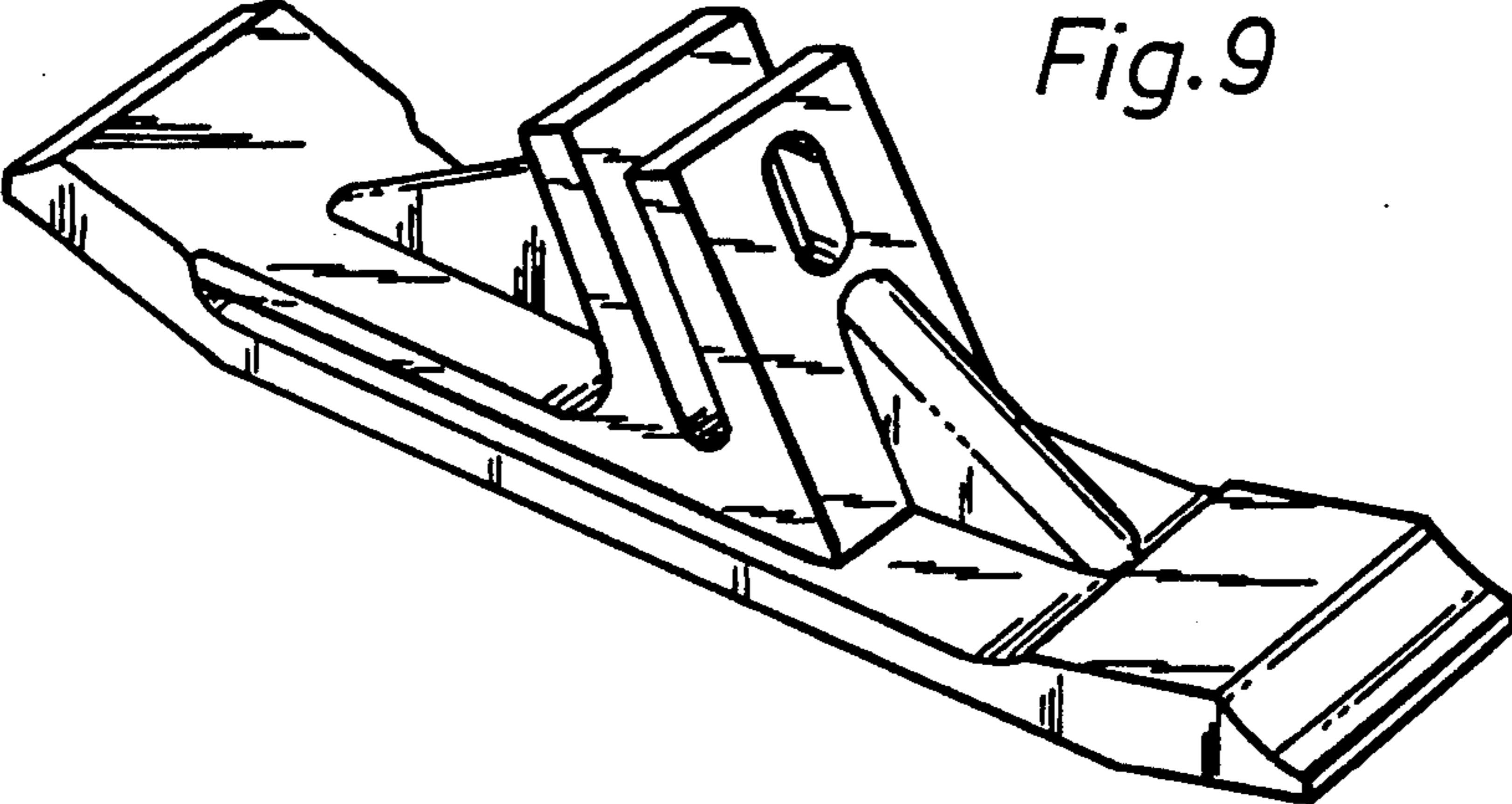


Fig.10

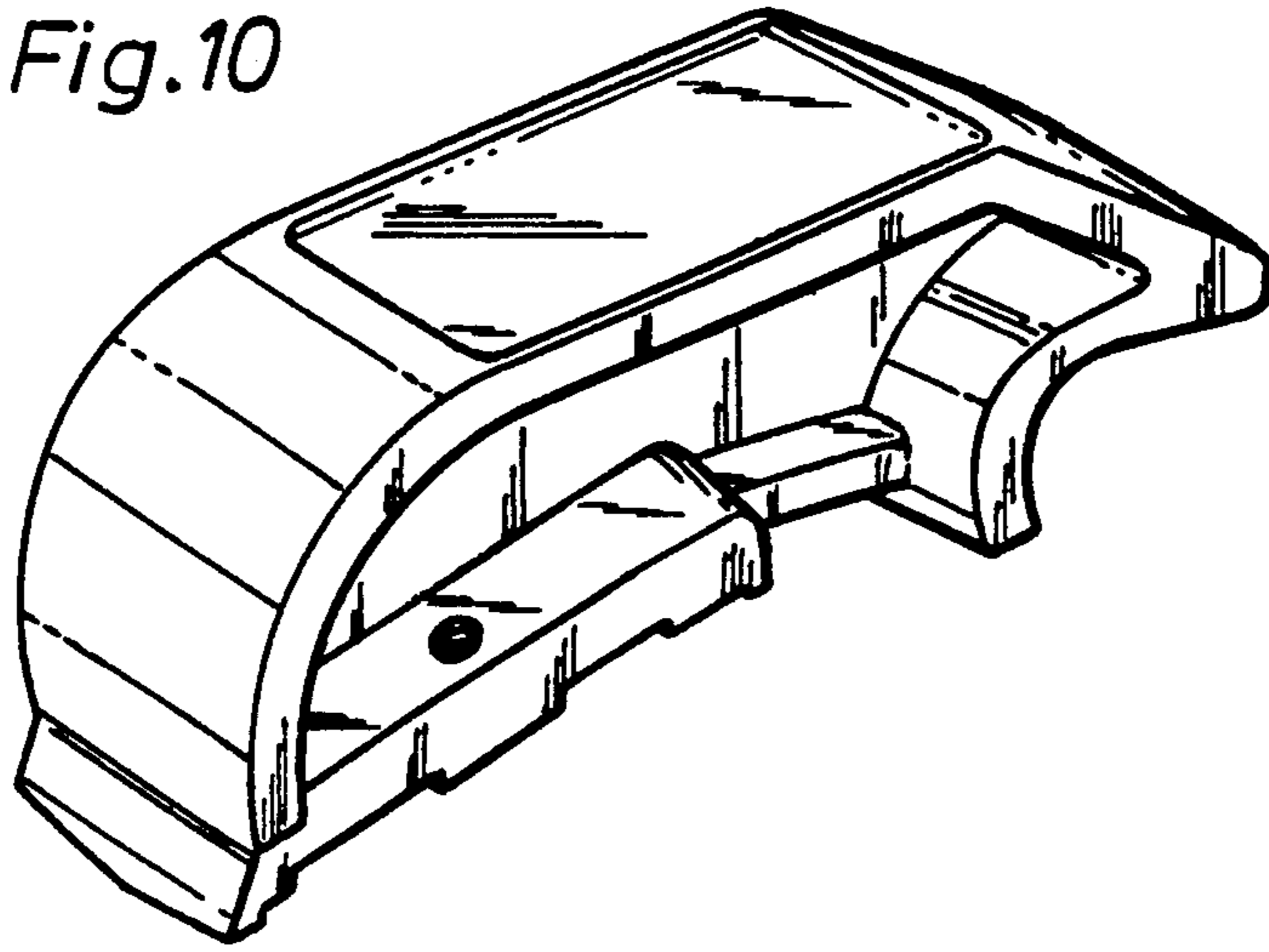


Fig.11

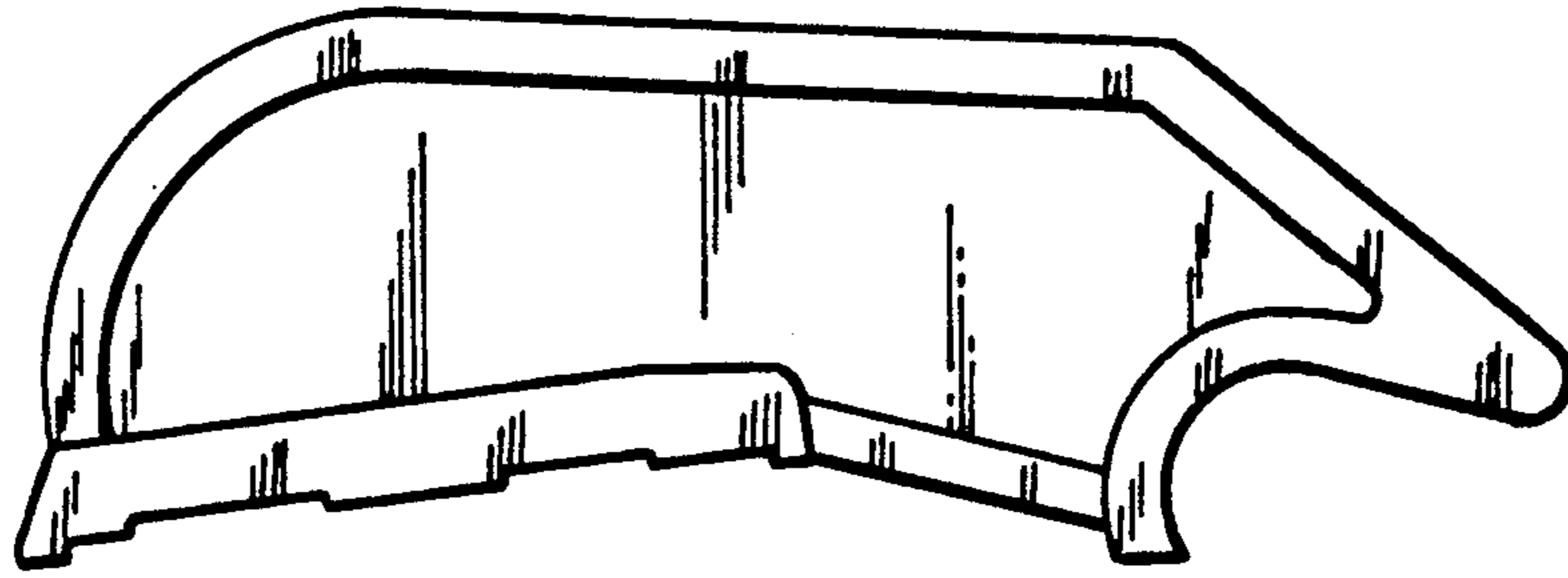


Fig.12

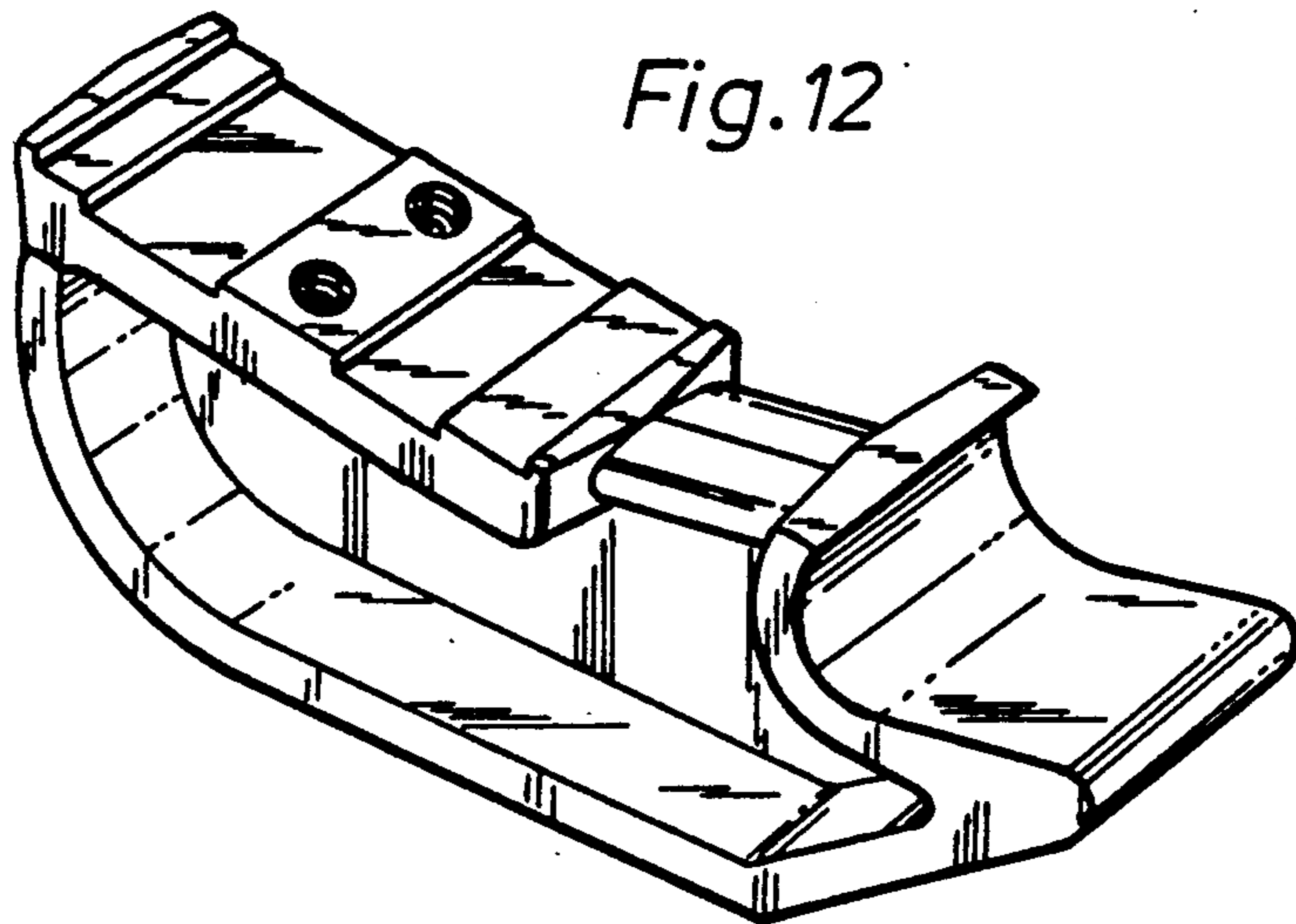


Fig. 13

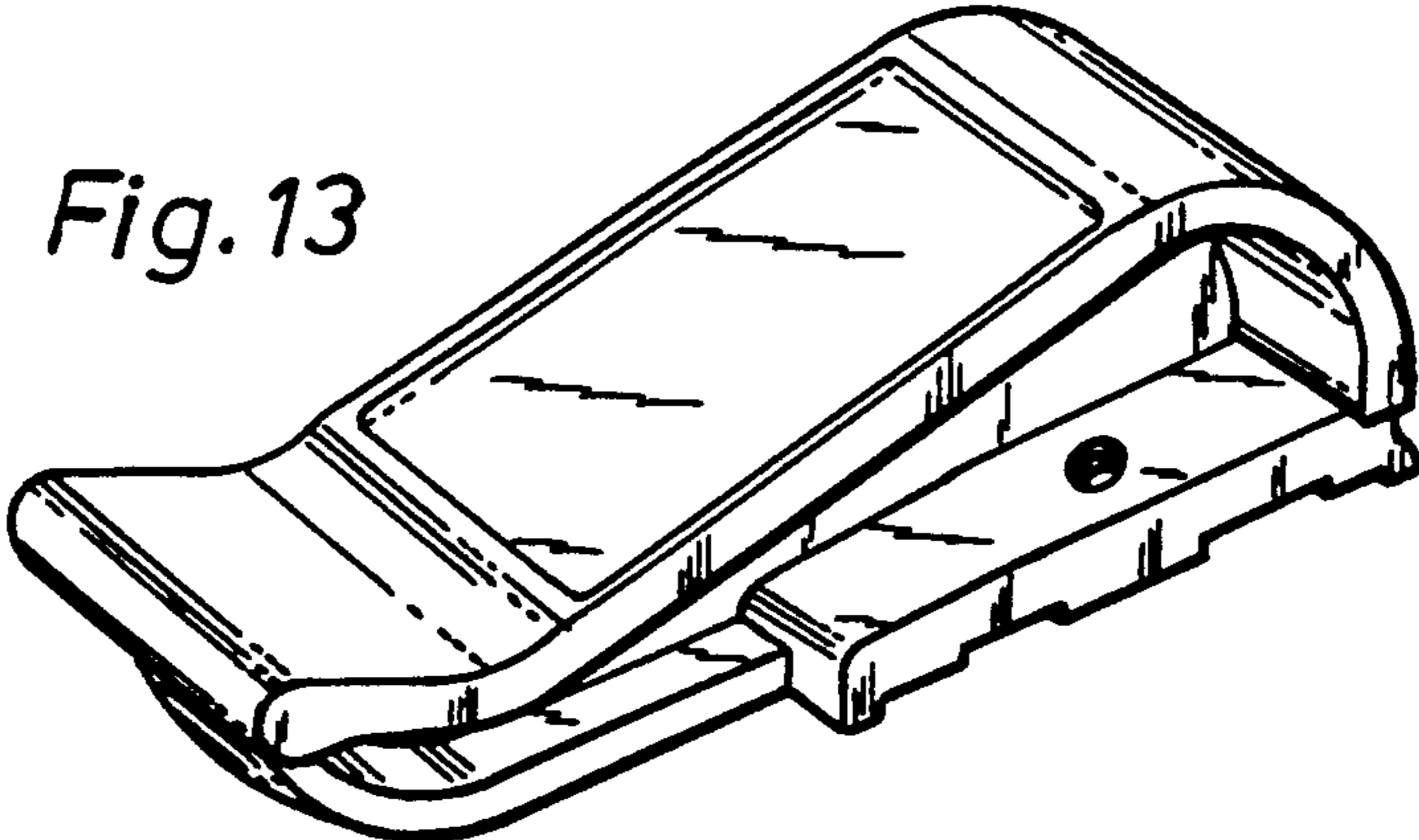


Fig. 14

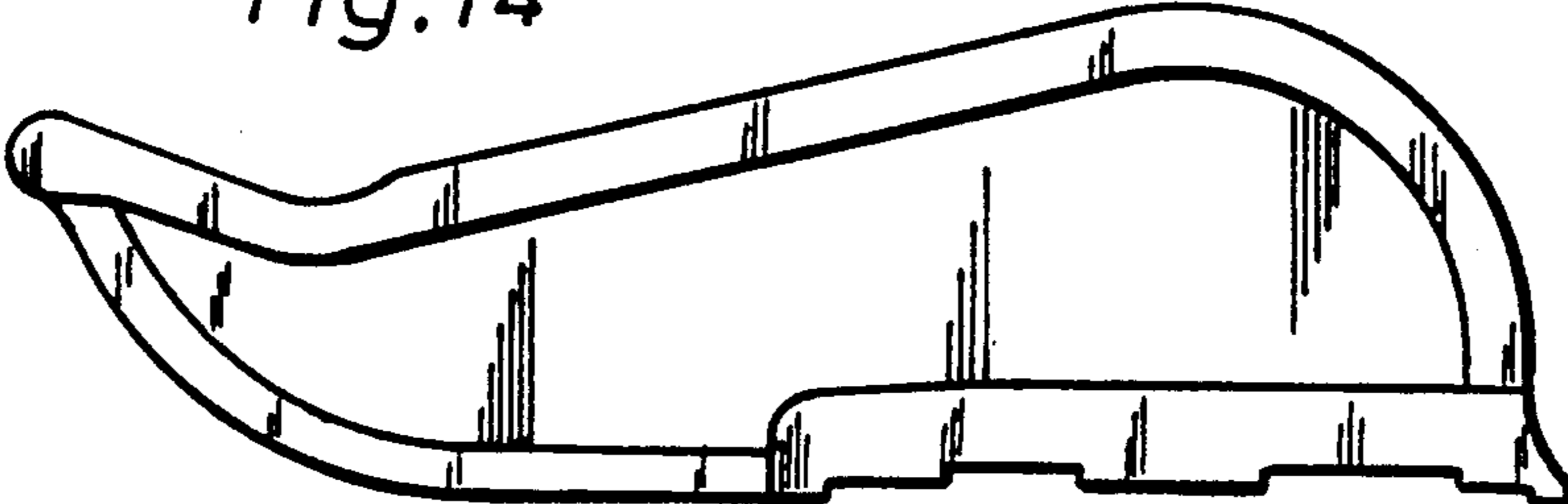


Fig. 15

