

[54] COMBINED PRESSURE REGULATOR  
FILTER AND LUBRICATOR

[75] Inventors: Yasuyuki Ito; Tatsuaki Aoyama, both  
of Ichinomiya; Hisanobu Niwa,  
Komaki, all of Japan

[73] Assignee: CKD Kabushiki Kaisha, Komaki,  
Japan

[\*\*] Term: 14 Years

[21] Appl. No.: 330,739

[22] Filed: Mar. 30, 1989

[30] Foreign Application Priority Data

Sep. 30, 1988 [JP] Japan ..... 63-38442

[52] U.S. Cl. .... D23/235; D15/150;  
D23/209

[58] Field of Search ..... D15/150; D23/200, 207,  
D23/209, 233-237, 243-247; 137/237;  
184/26, 55.1, 55.2, 103.1; 357/453

[56] References Cited

U.S. PATENT DOCUMENTS

- D. 96,405 7/1935 Murphy ..... D23/235
- D. 103,582 3/1937 Murphy ..... D23/235
- D. 106,584 10/1937 Russel ..... D23/235

- D. 106,585 10/1937 Russel ..... D23/235
- D. 145,393 8/1946 Folke et al. .... D15/150
- D. 192,398 3/1962 Grove ..... D23/245
- D. 234,356 2/1975 Holben et al. .... D23/209
- D. 234,357 2/1975 Humphrey ..... D23/209
- D. 234,359 2/1975 Holben et al. .... D23/235
- D. 234,843 4/1975 Taylor ..... D23/207
- D. 236,263 8/1975 Dussardier et al. .... D23/209

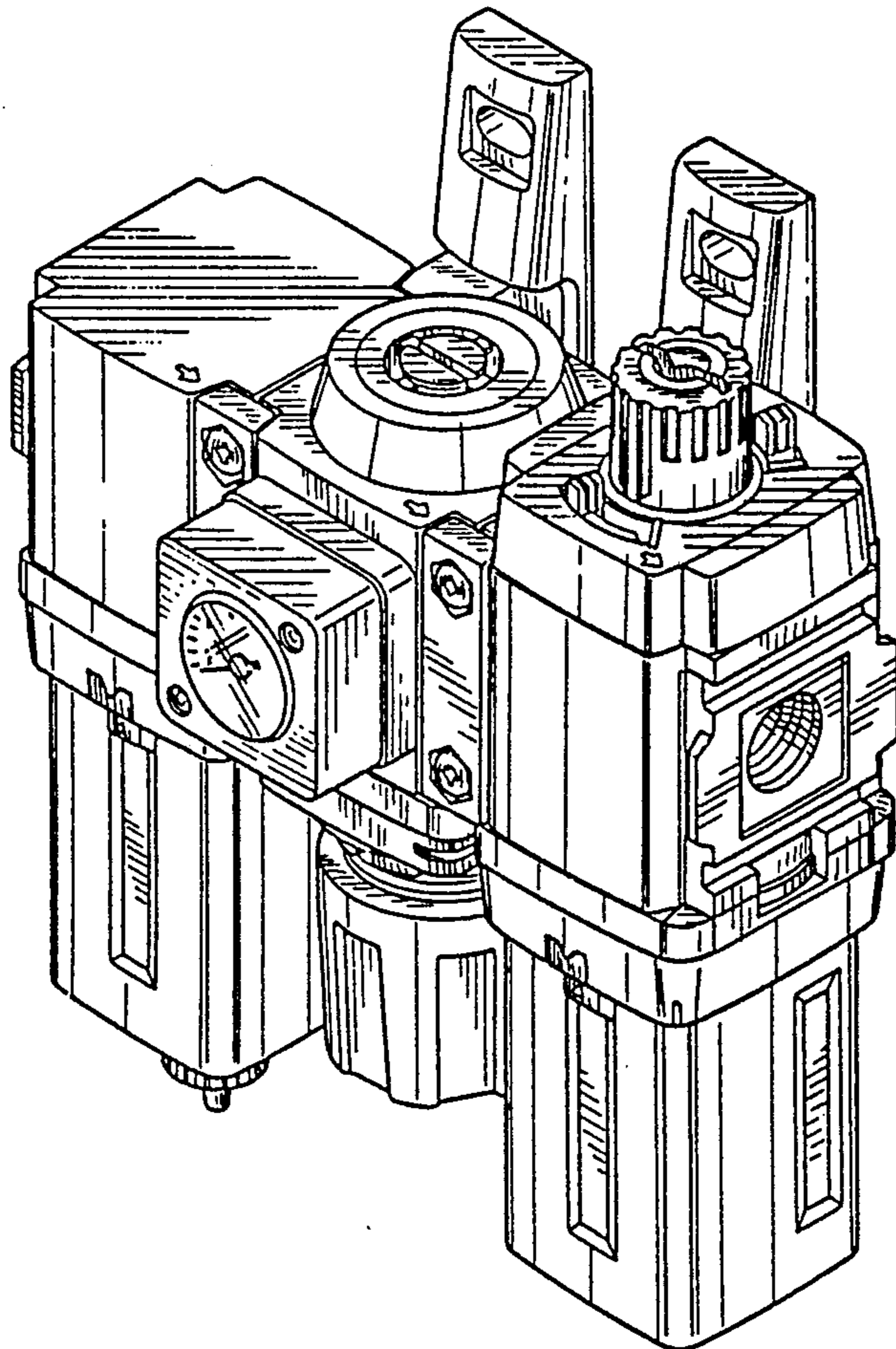
Primary Examiner—James R. Largen  
Assistant Examiner—Demetrius Reynolds  
Attorney, Agent, or Firm—Neuman, Williams, Anderson  
& Olson

[57] CLAIM

The ornamental design for a combined pressure regula-  
tor, filter, and lubricator as shown.

DESCRIPTION

FIG. 1 is a left side elevational view of a combined  
pressure regulator, filter and lubricator showing my  
new design;  
FIG. 2 is a front elevational view thereof;  
FIG. 3 is a right side elevational view thereof;  
FIG. 4 is a rear elevational view thereof;  
FIG. 5 is a bottom plan view thereof;  
FIG. 6 is a top plan view thereof; and  
FIG. 7 is a front, top and right side perspective view  
thereof.



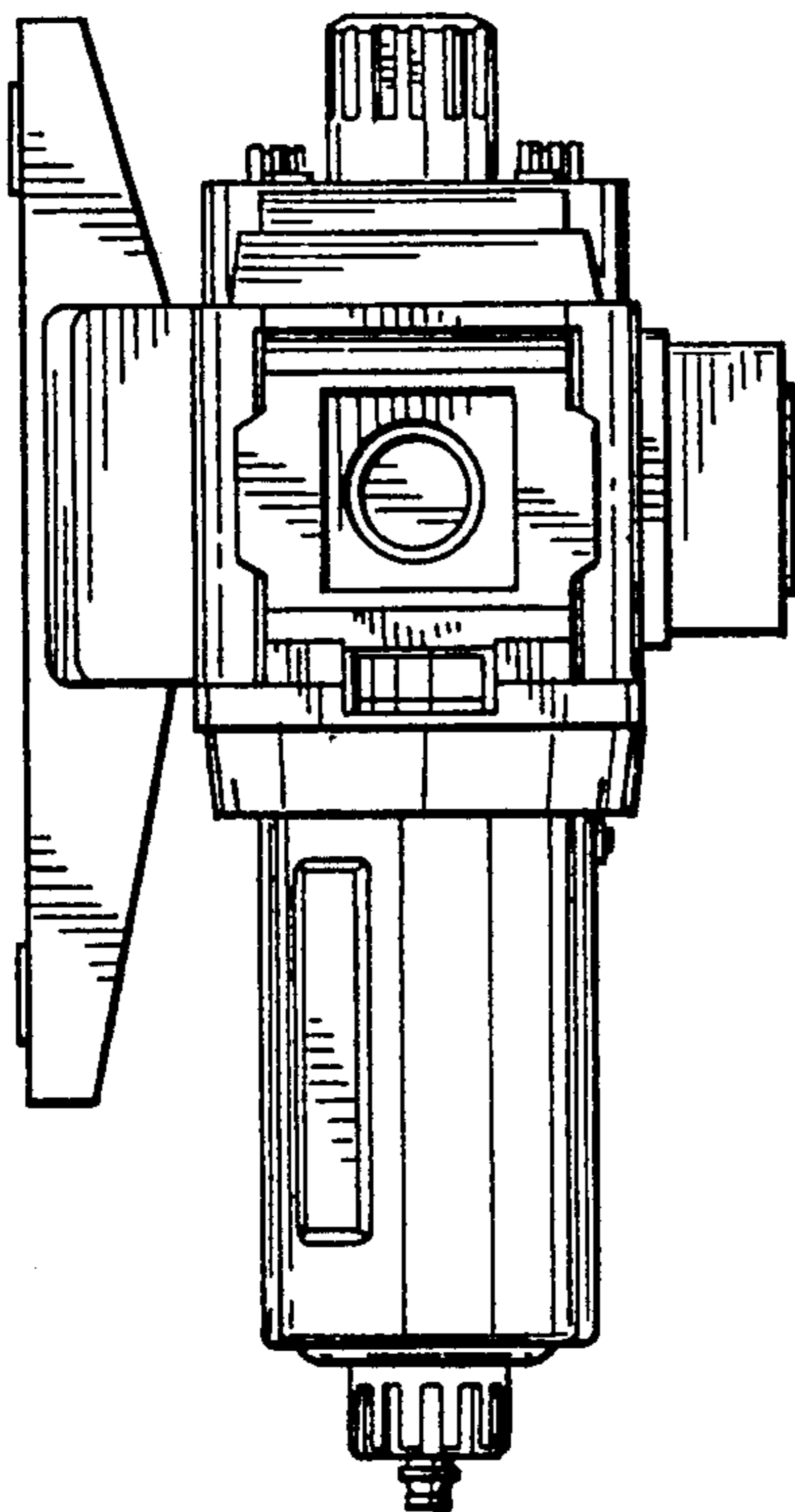


FIG. 1

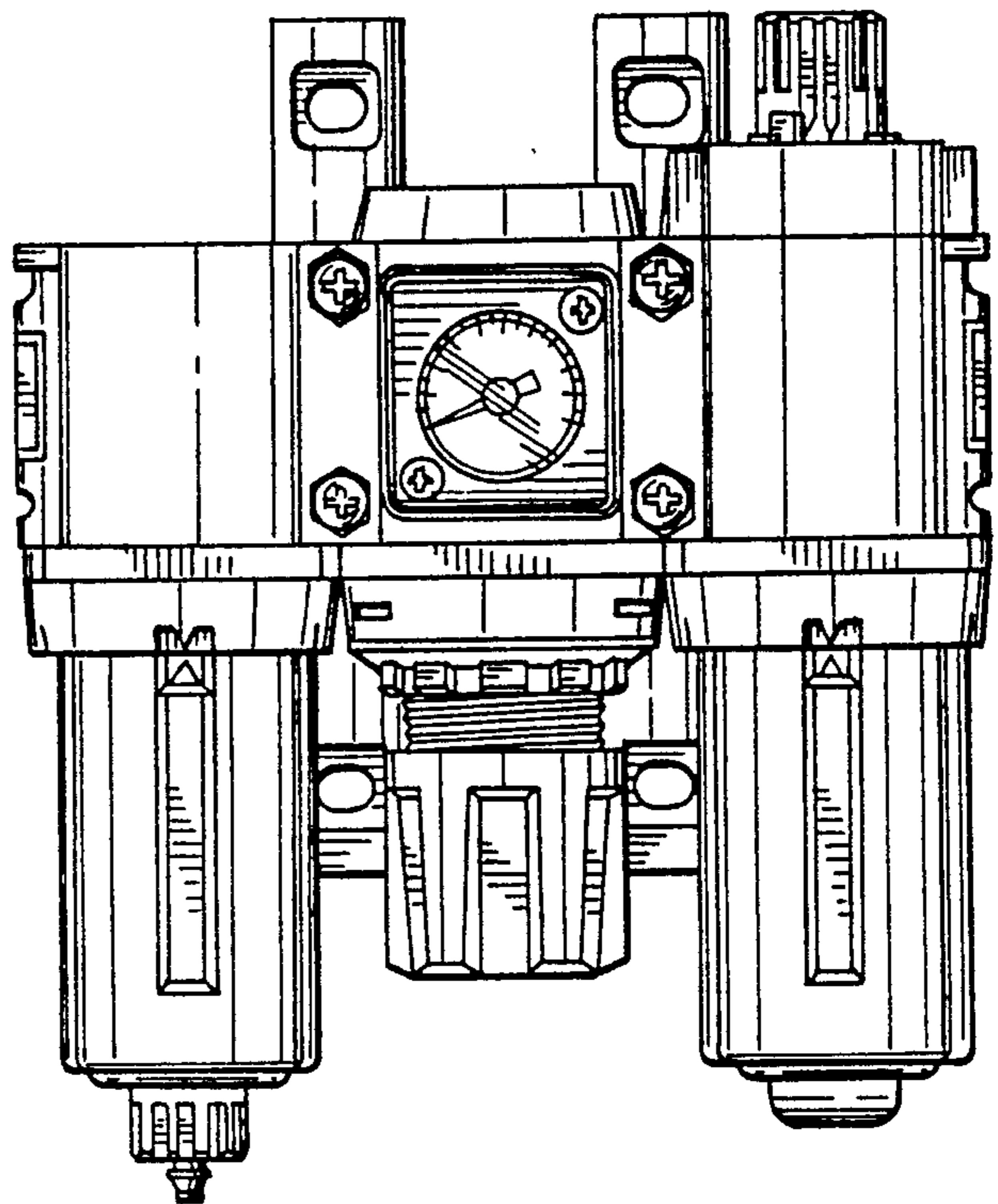


FIG. 2

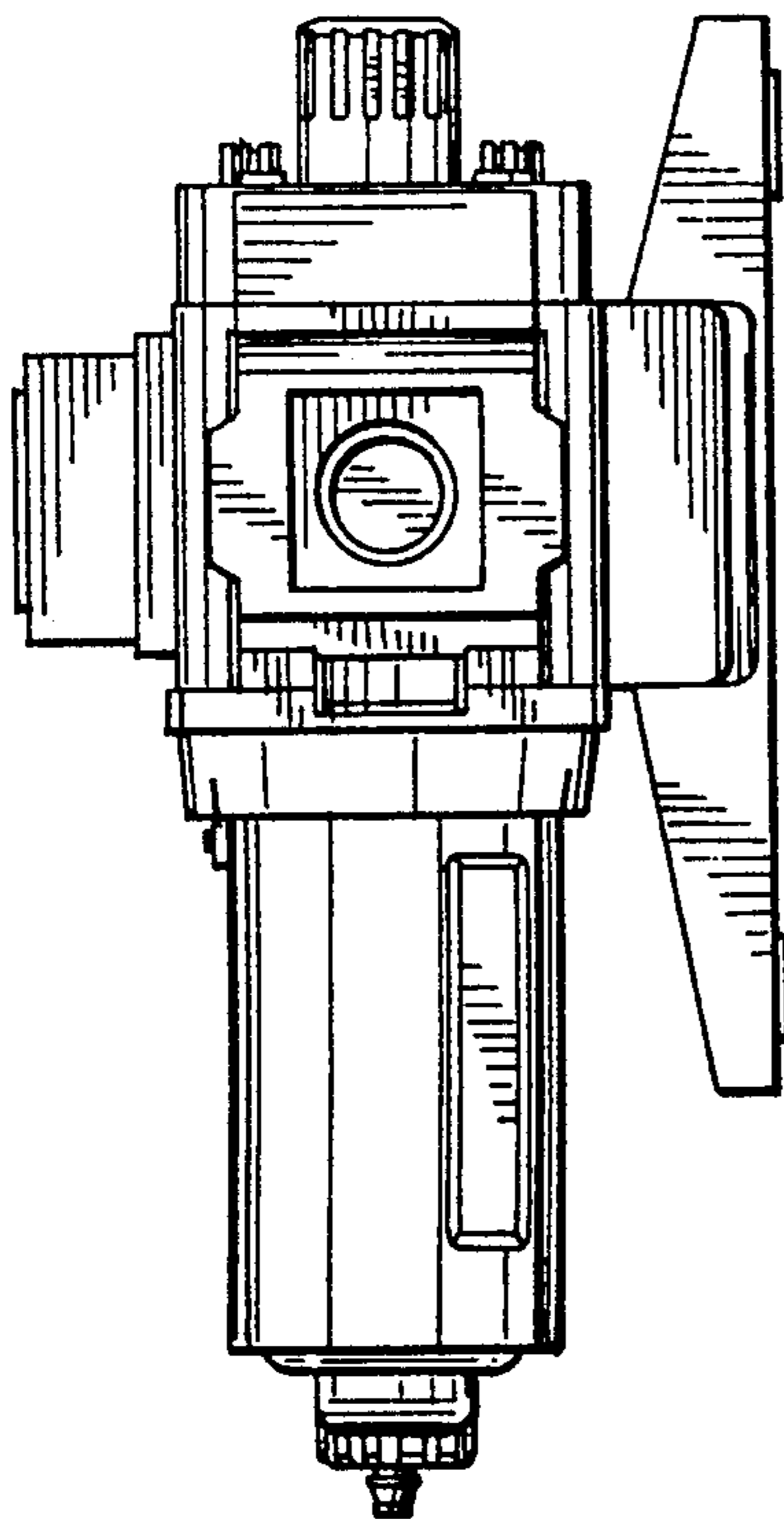


FIG. 3

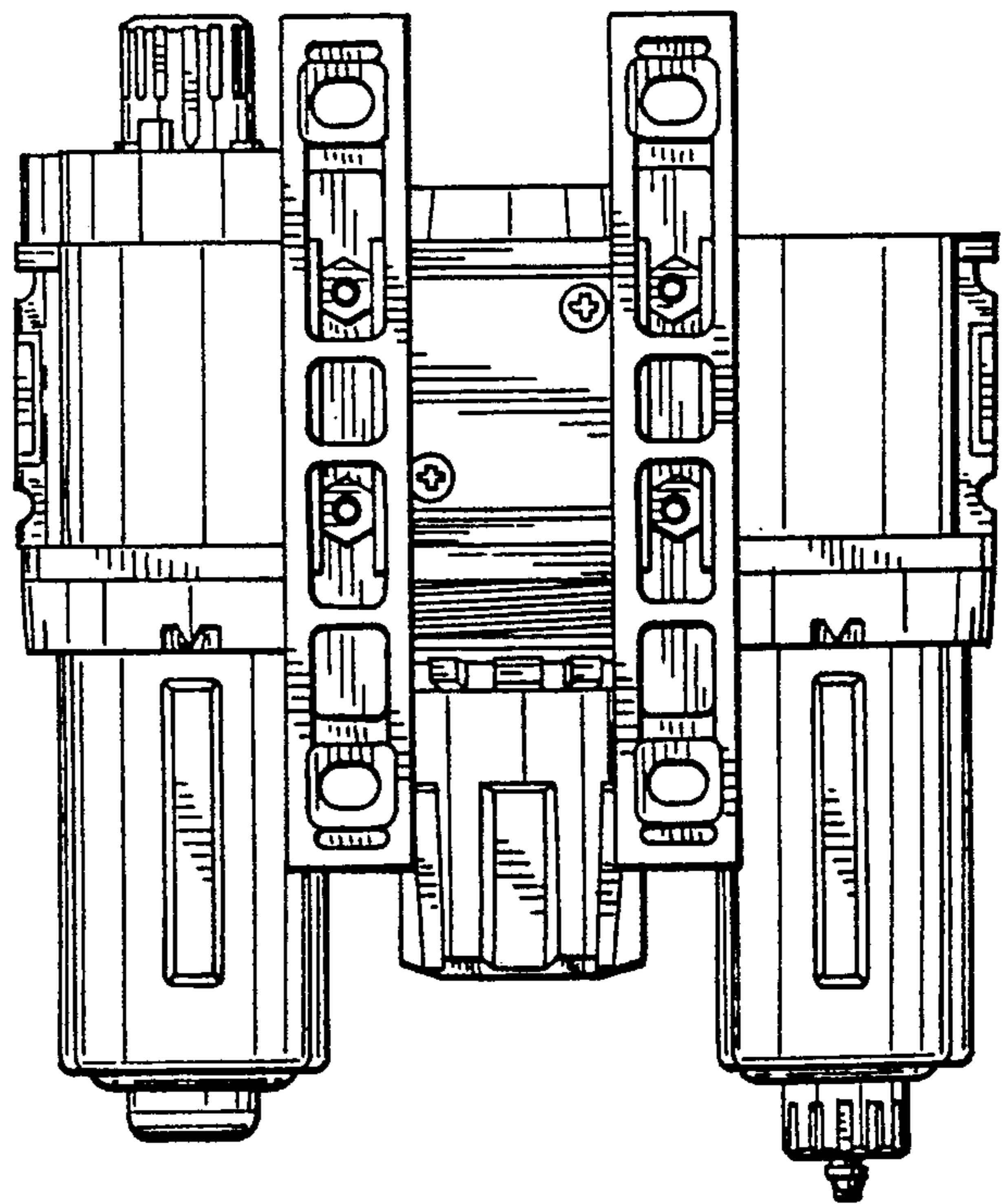


FIG. 4

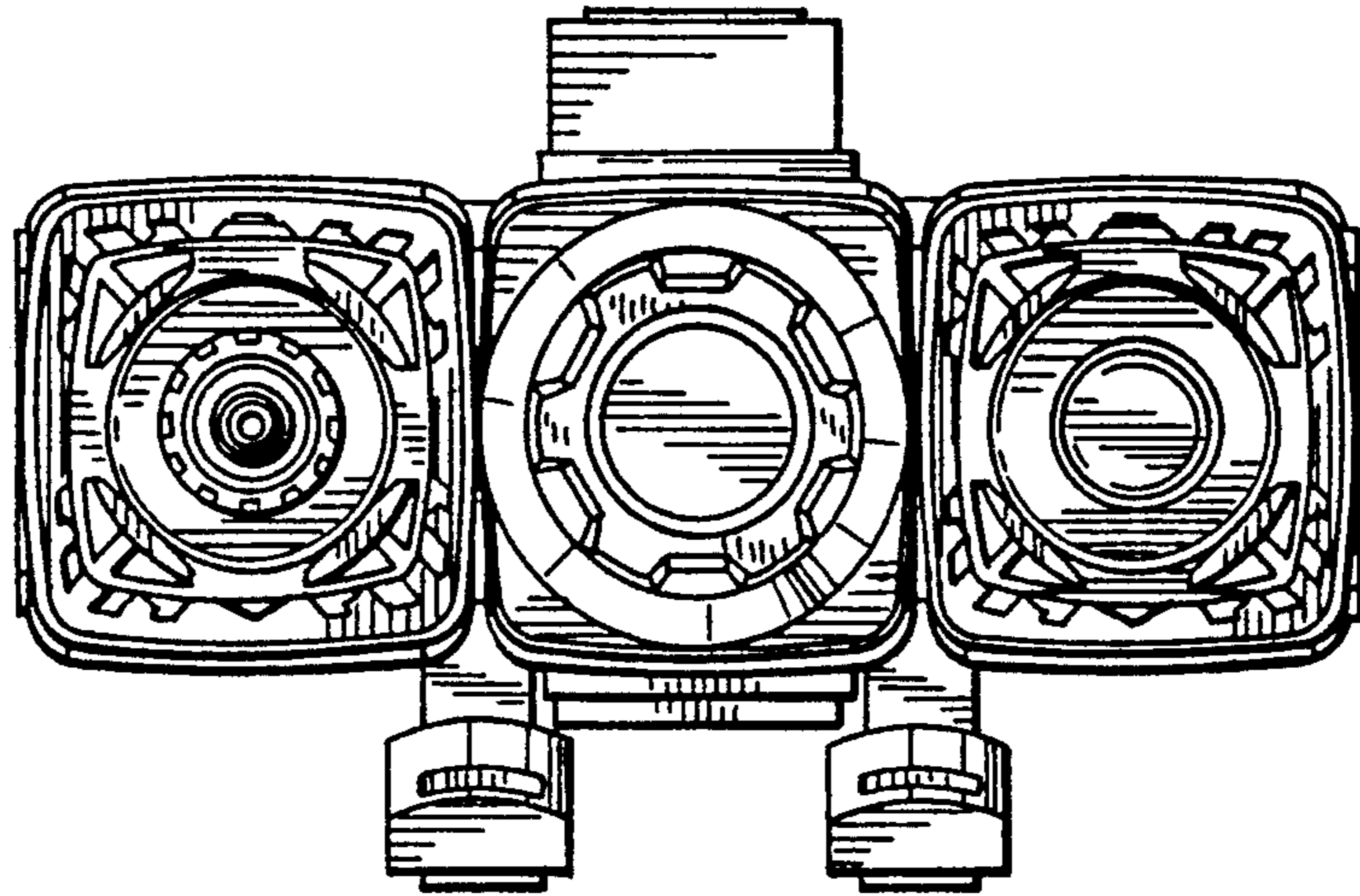


FIG. 5

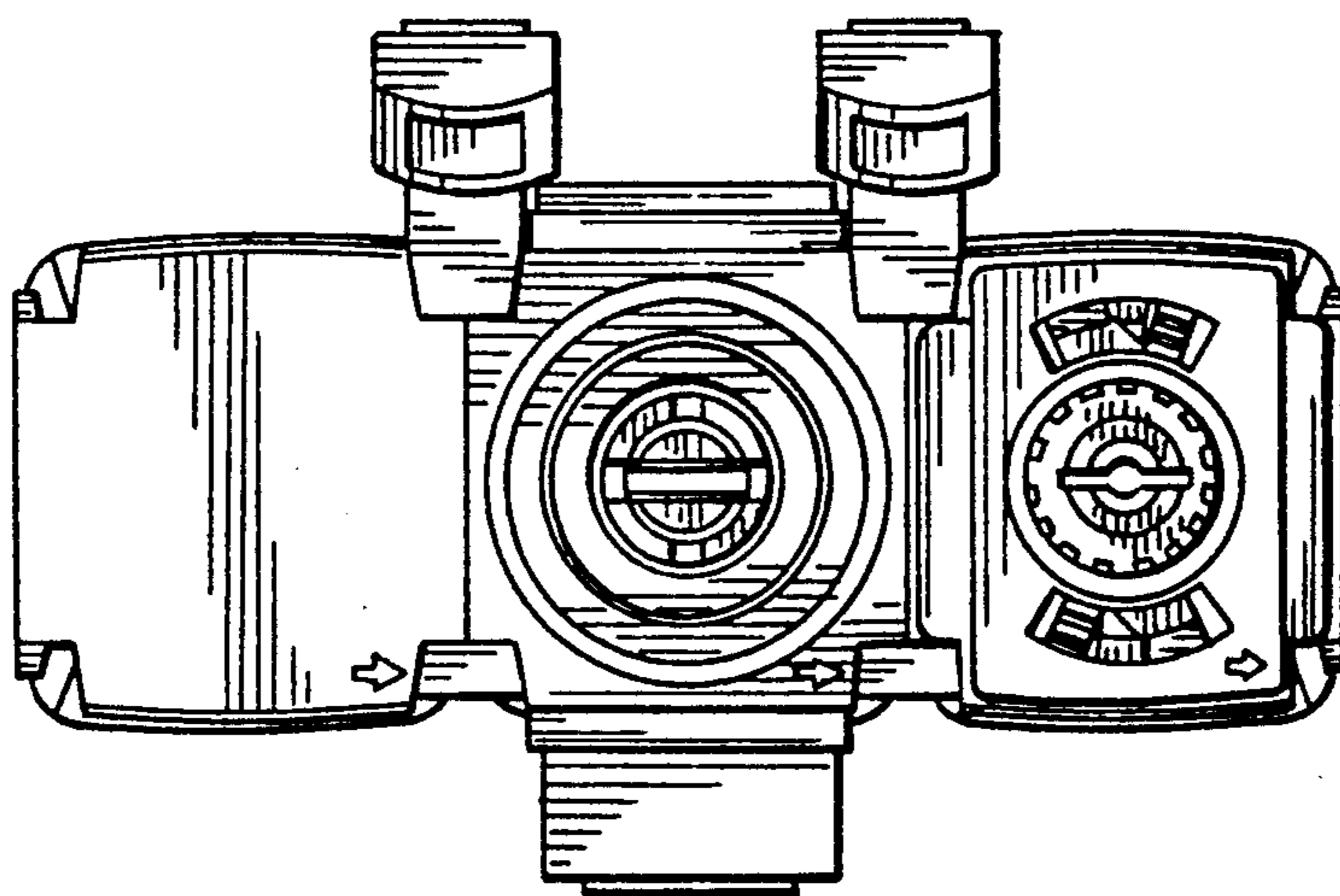


FIG. 6

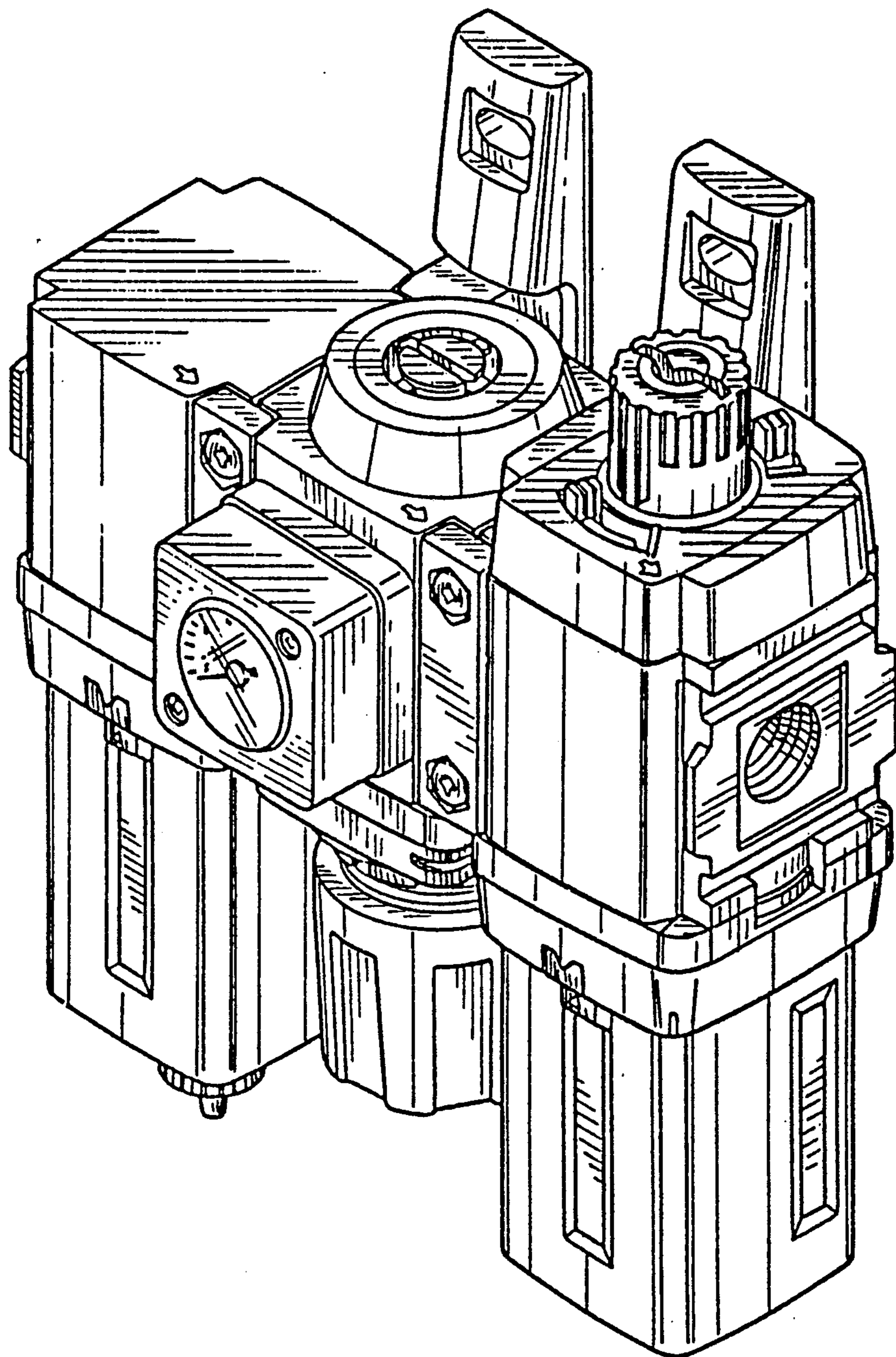


FIG. 7