

[54] CAR FOR A ROLLER COASTER

[56] References Cited

U.S. PATENT DOCUMENTS

[75] Inventor: Keizo Hashimoto, Kodaira, Japan

D. 285,330 8/1986 Okamoto D21/242

[73] Assignee: Midgety Engineering Co., Ltd.,
Tokyo, Japan

Primary Examiner—Bernard Ansher
Assistant Examiner—Terry A. Pfeffer
Attorney, Agent, or Firm—Jordan and Hamburg

[**] Term: 14 Years

[57] CLAIM

The ornamental design for a car for a roller coaster, as shown and described.

[21] Appl. No.: 148,397

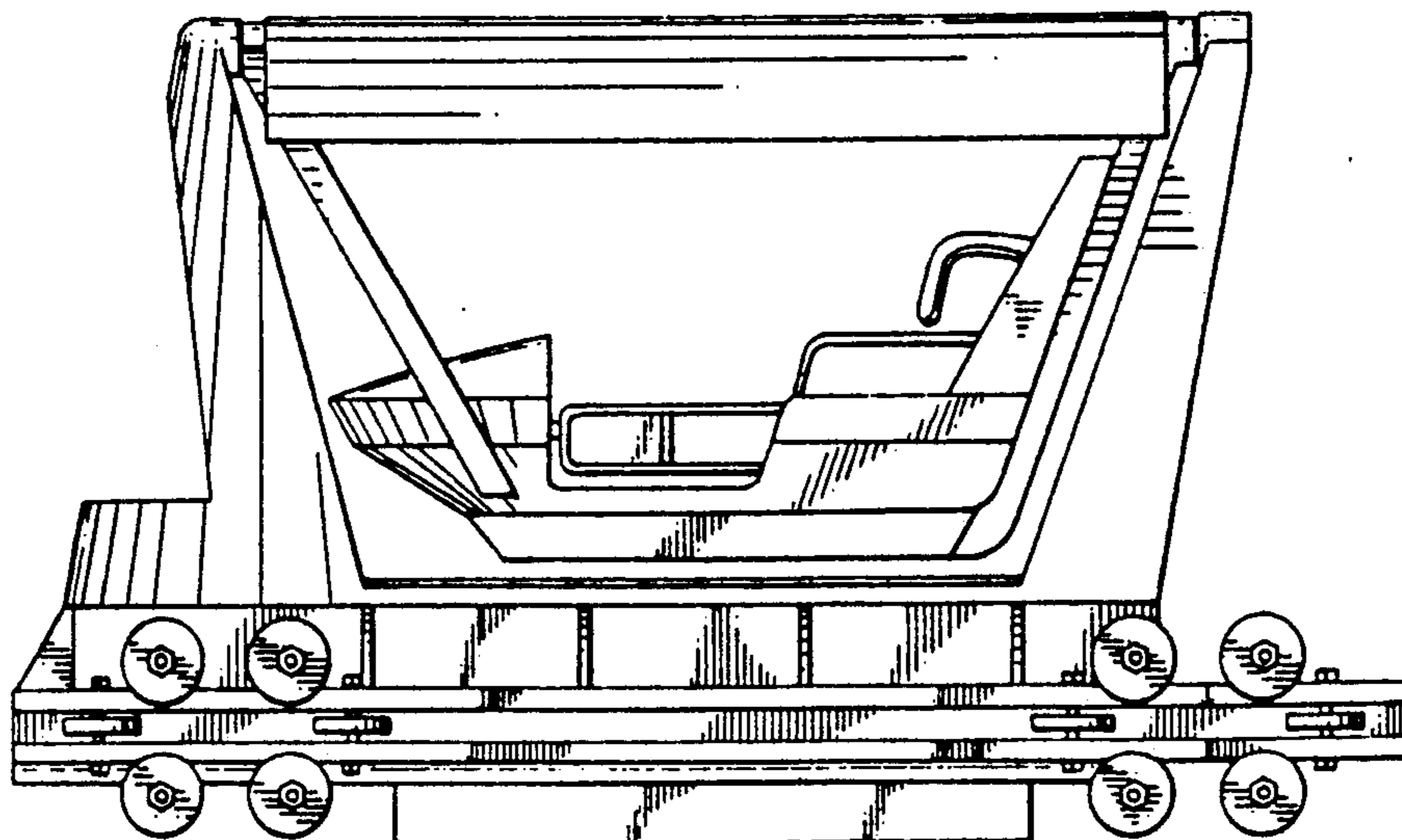
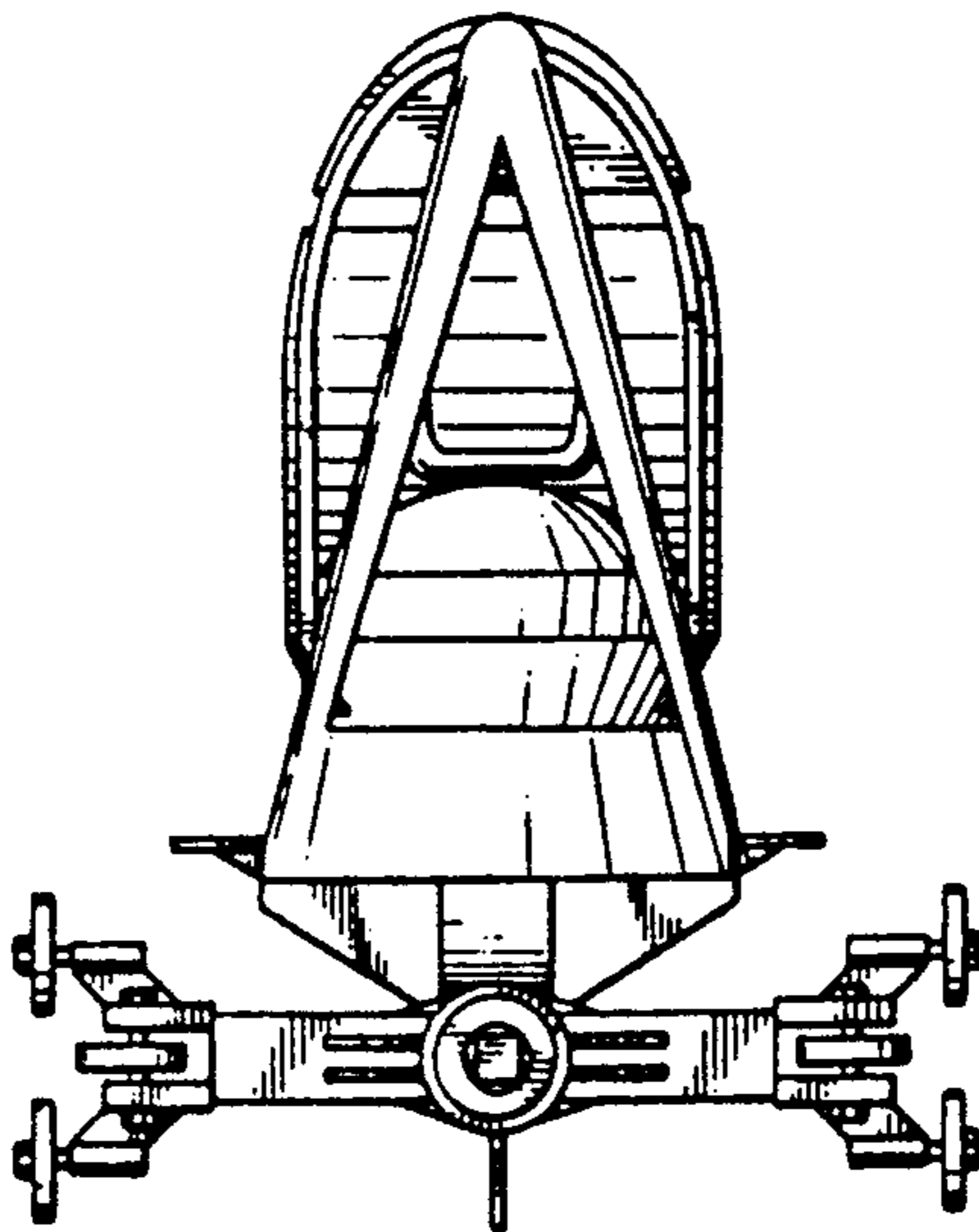
DESCRIPTION

[22] Filed: Jan. 25, 1988

[52] U.S. Cl. D21/247

[58] Field of Search D21/242, 247, 245, 250;
272/17, 18, 40, 45

FIG. 1 is a front view of a car for a roller coaster showing my new design;
FIG. 2 is a rear view thereof;
FIG. 3 is a top plan view thereof;
FIG. 4 is a right side view thereof;
FIG. 5 is a bottom plan view thereof;
FIG. 6 is a front view thereof in an alternate position.



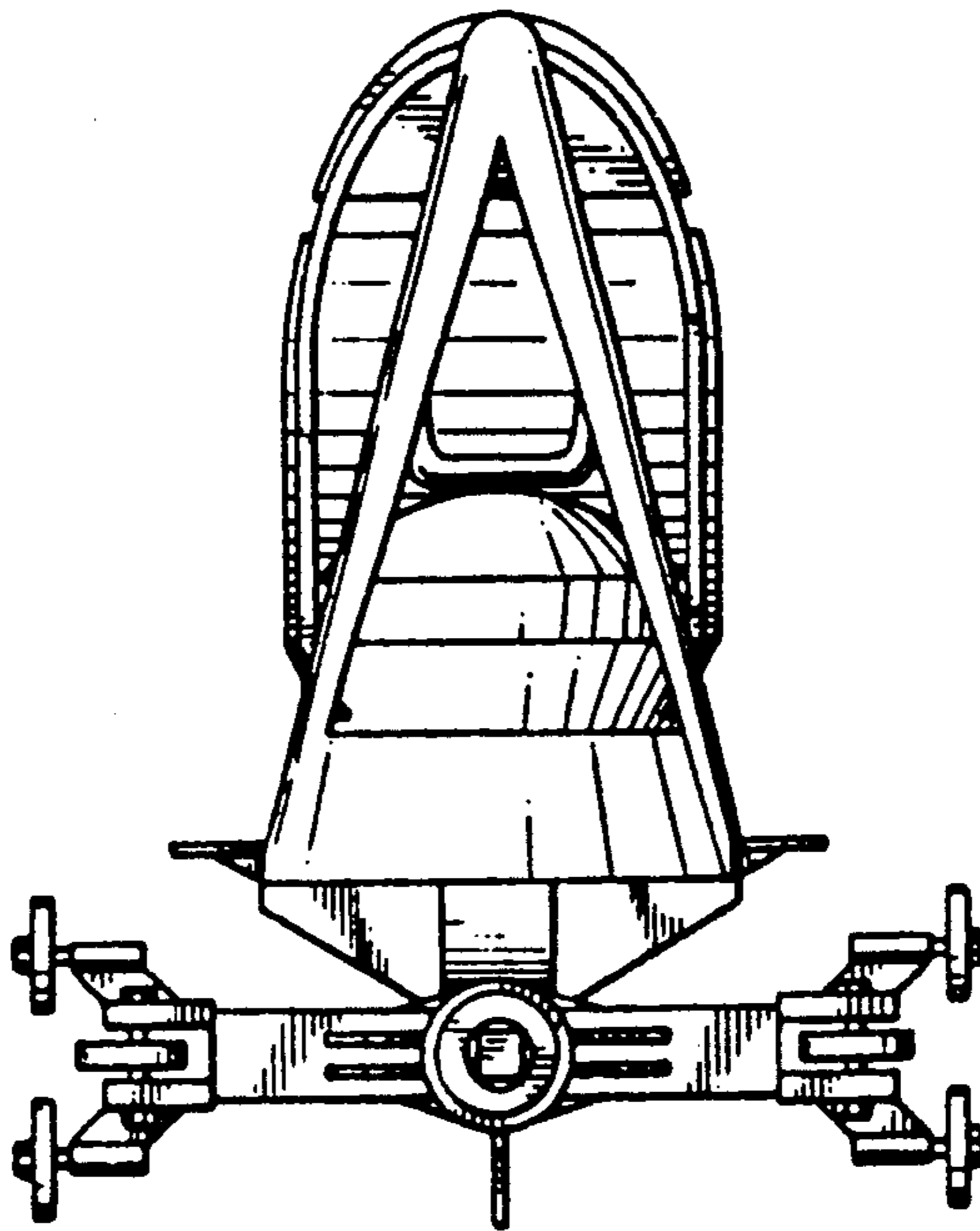


FIG. 1

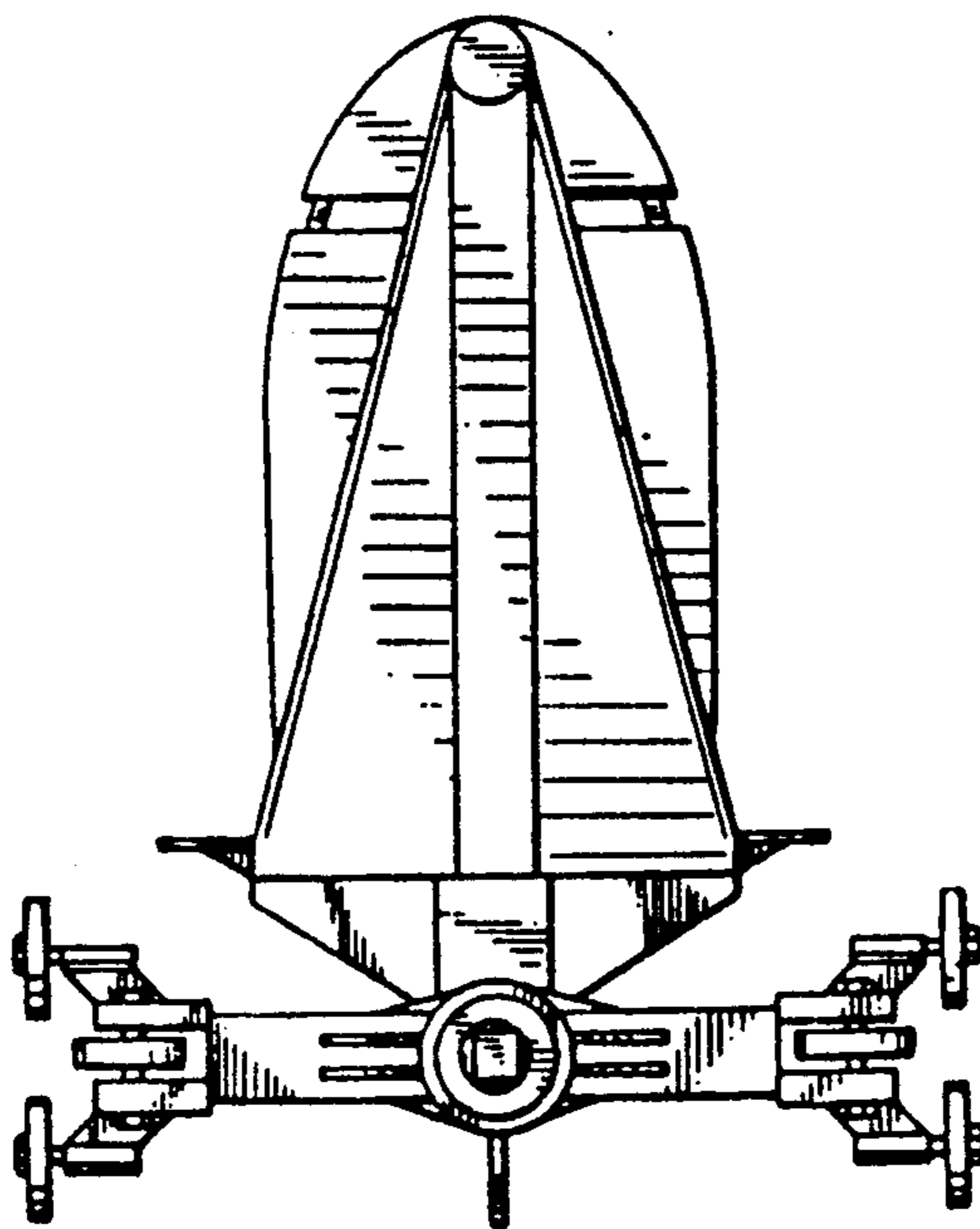


FIG. 2

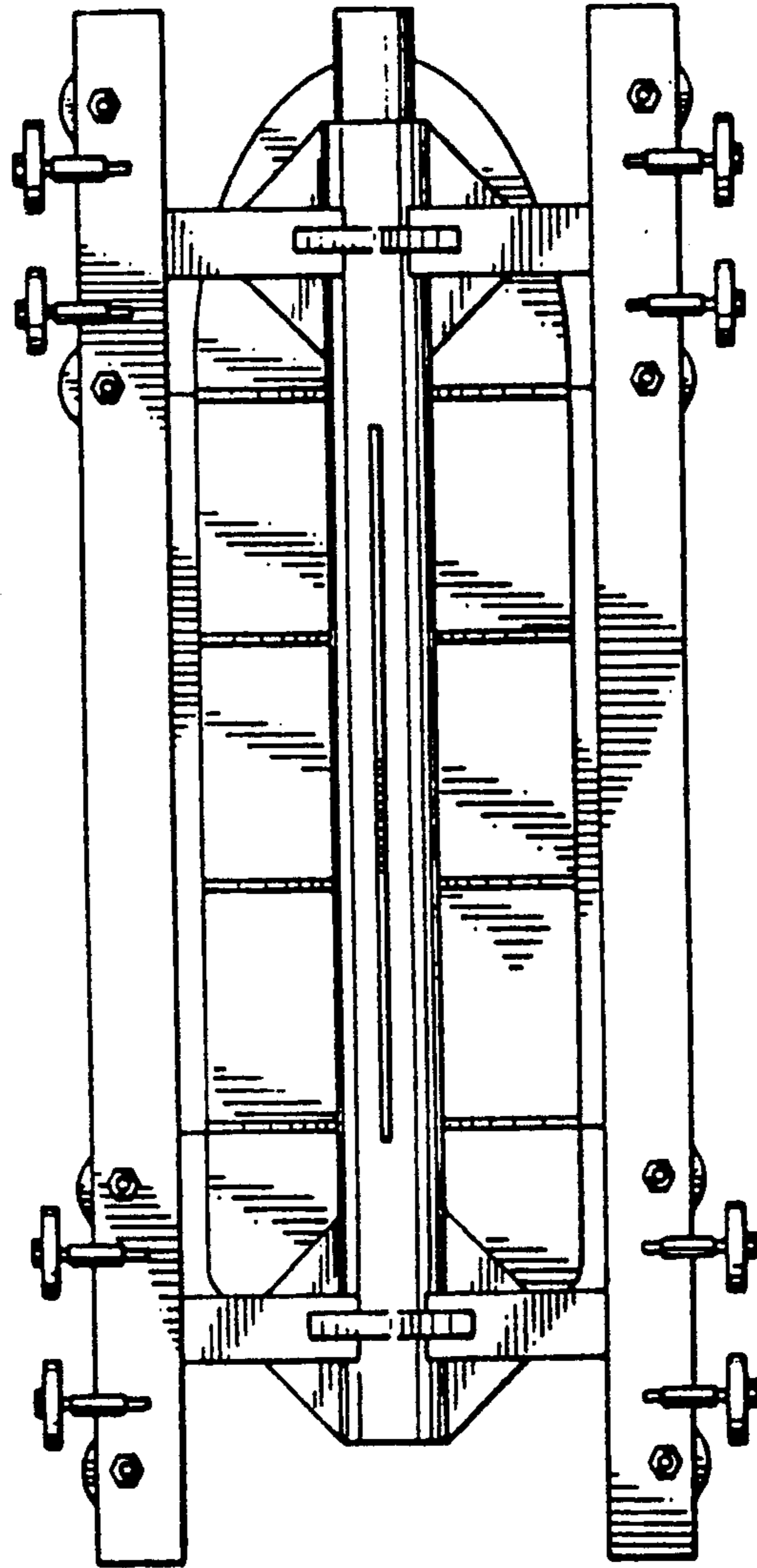


FIG. 5

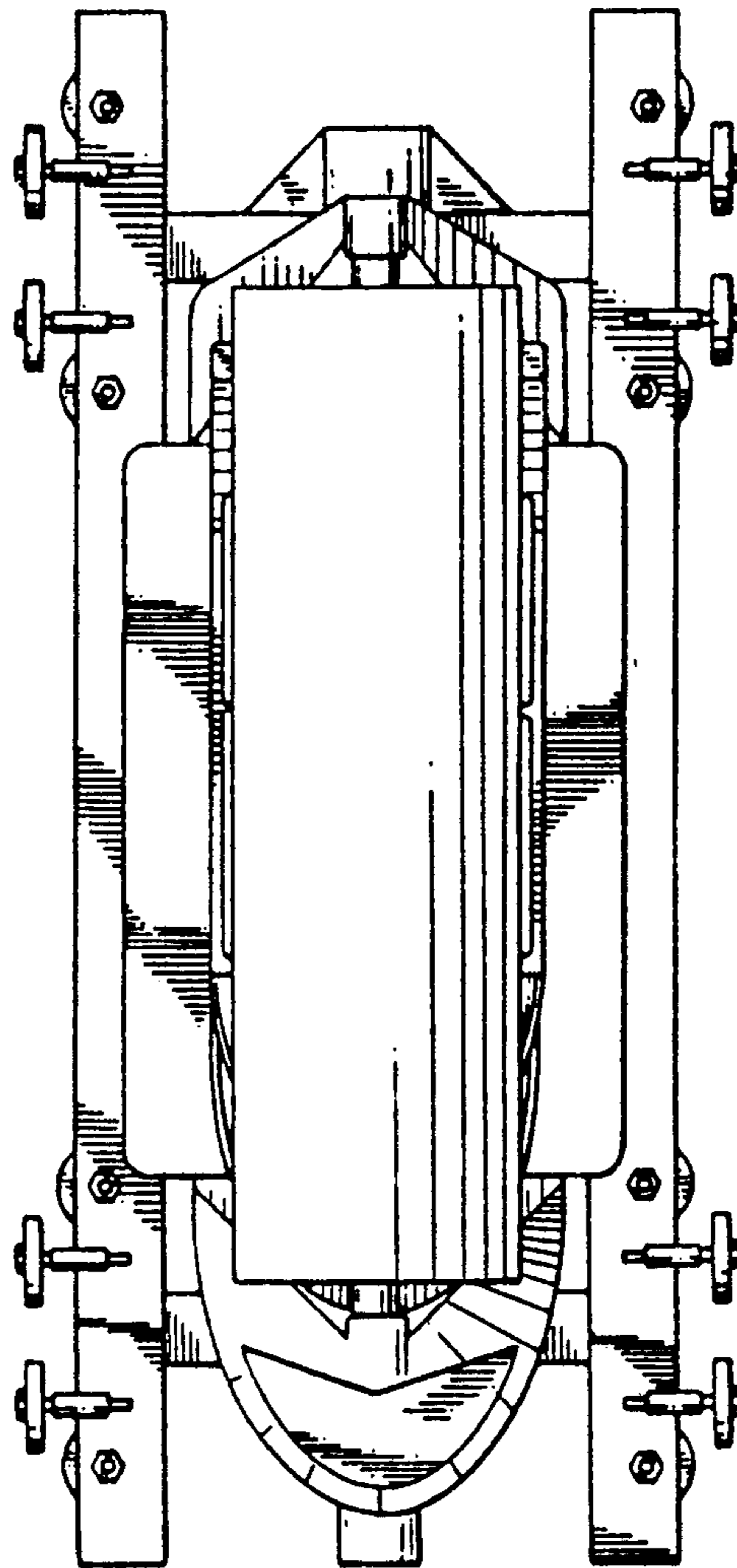


FIG. 3

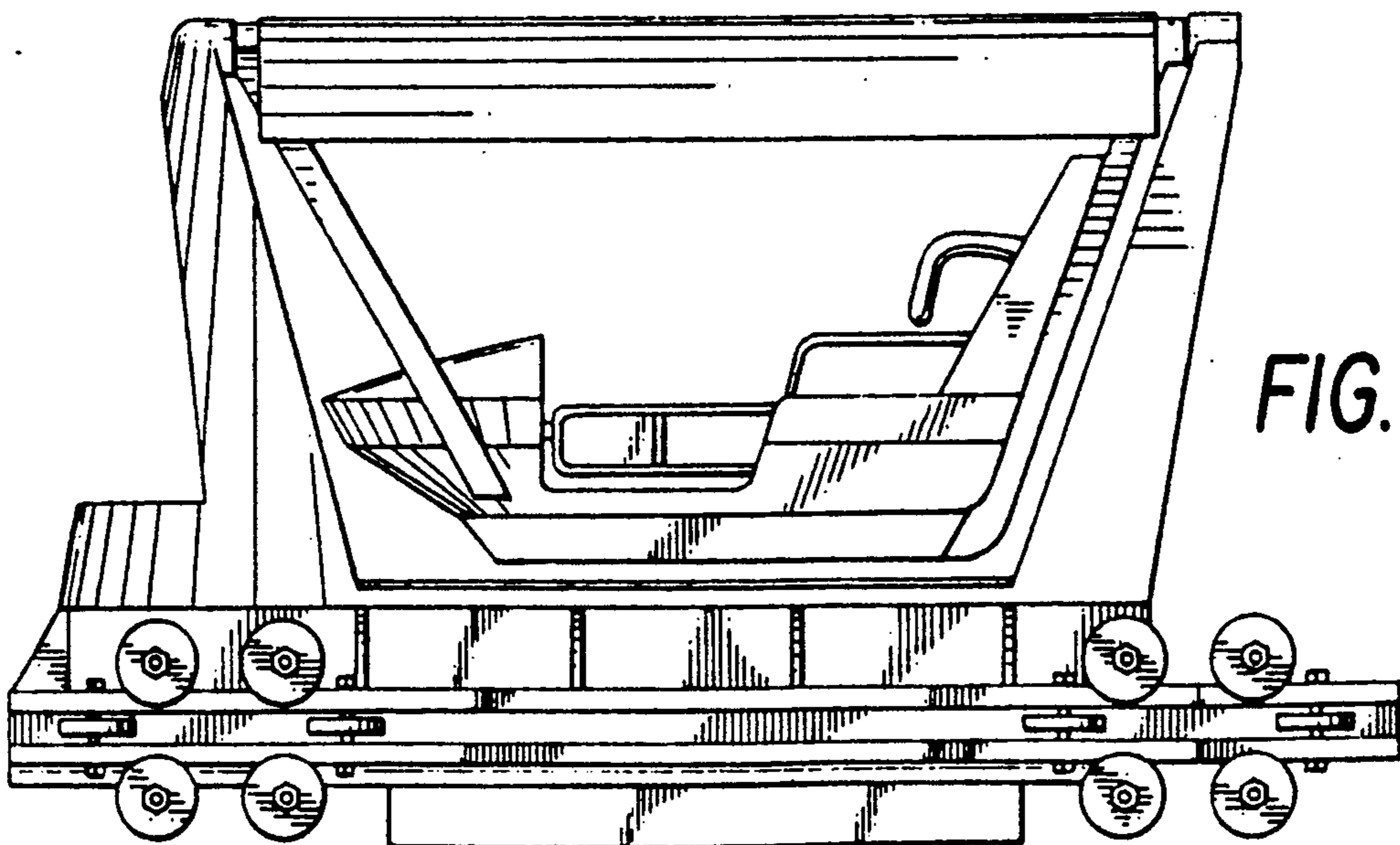


FIG. 4

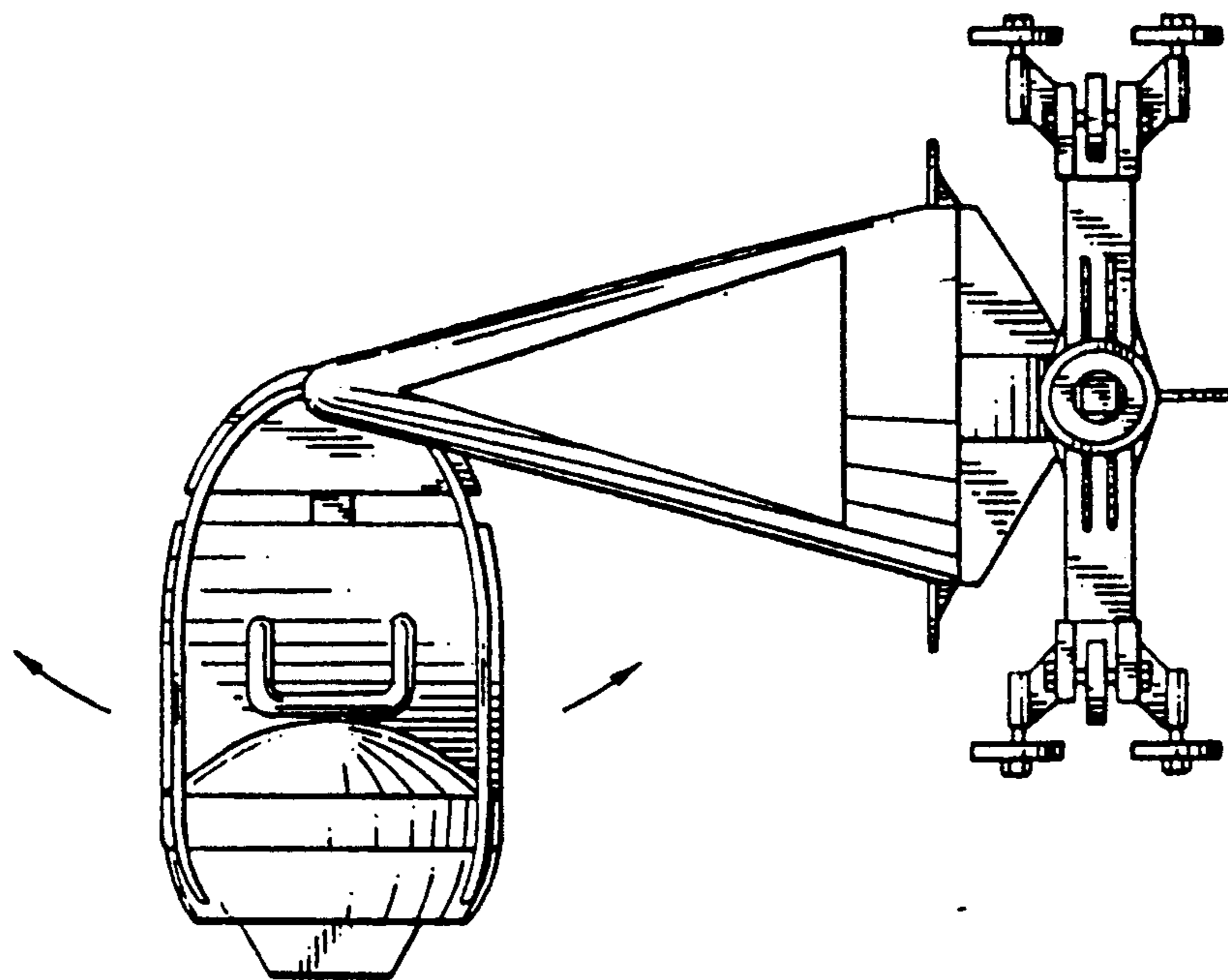


FIG. 6