

[54] **TOOL FOR PLAYING IN SAND**

[75] **Inventor: Masaki Mayuzumi, Tokyo, Japan**

[73] **Assignee: Tomy Company, Ltd., Tokyo, Japan**

[\*\*] **Term: 14 Years**

[21] **Appl. No.: 379,145**

[22] **Filed: Jul. 13, 1989**

[30] **Foreign Application Priority Data**  
Jan. 18, 1989 [JP] Japan ..... 1-1353

[52] **U.S. Cl. .... D21/120; D21/132**

[58] **Field of Search ..... D21/120, 128, 136, 140, D21/131, 132, 134; 446/69, 144, 489, 491; D7/691**

[56] **References Cited**  
**U.S. PATENT DOCUMENTS**

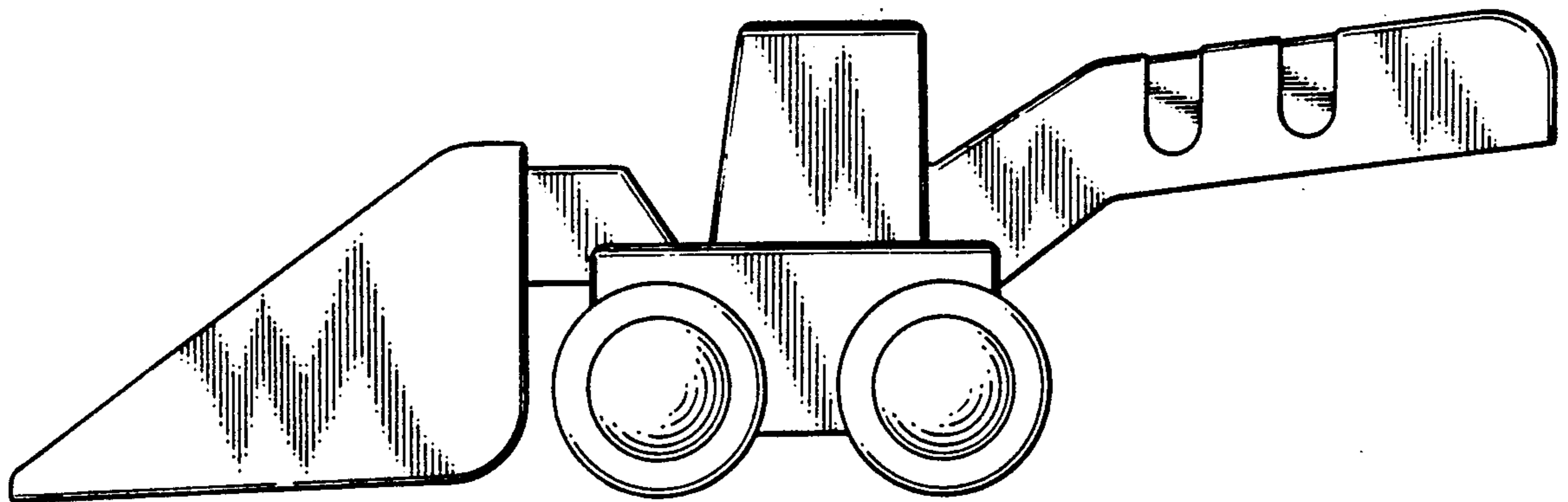
|            |         |                    |         |
|------------|---------|--------------------|---------|
| D. 248,119 | 6/1978  | Nix et al. ....    | D21/134 |
| D. 251,626 | 4/1979  | Nakao et al. ....  | D21/132 |
| D. 255,696 | 7/1980  | Fratarcangeli .... | D21/132 |
| D. 260,722 | 9/1981  | Bateman ....       | D7/691  |
| D. 287,058 | 12/1986 | Silverman ....     | D21/140 |

*Primary Examiner*—Charles A. Rademaker  
*Attorney, Agent, or Firm*—Staas & Halsey

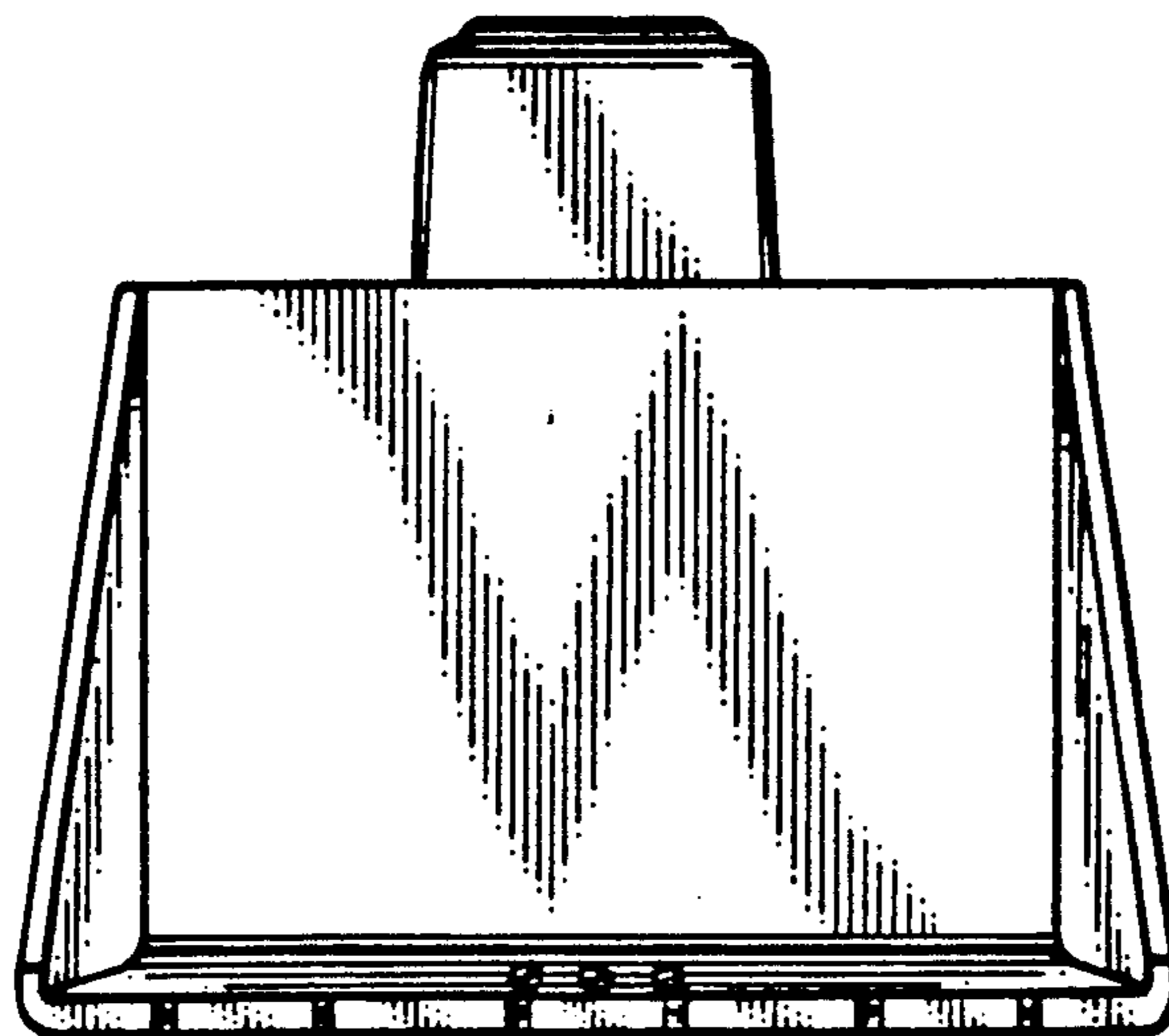
[57] **CLAIM**  
The ornamental design for a tool for playing in sand, as shown.

**DESCRIPTION**

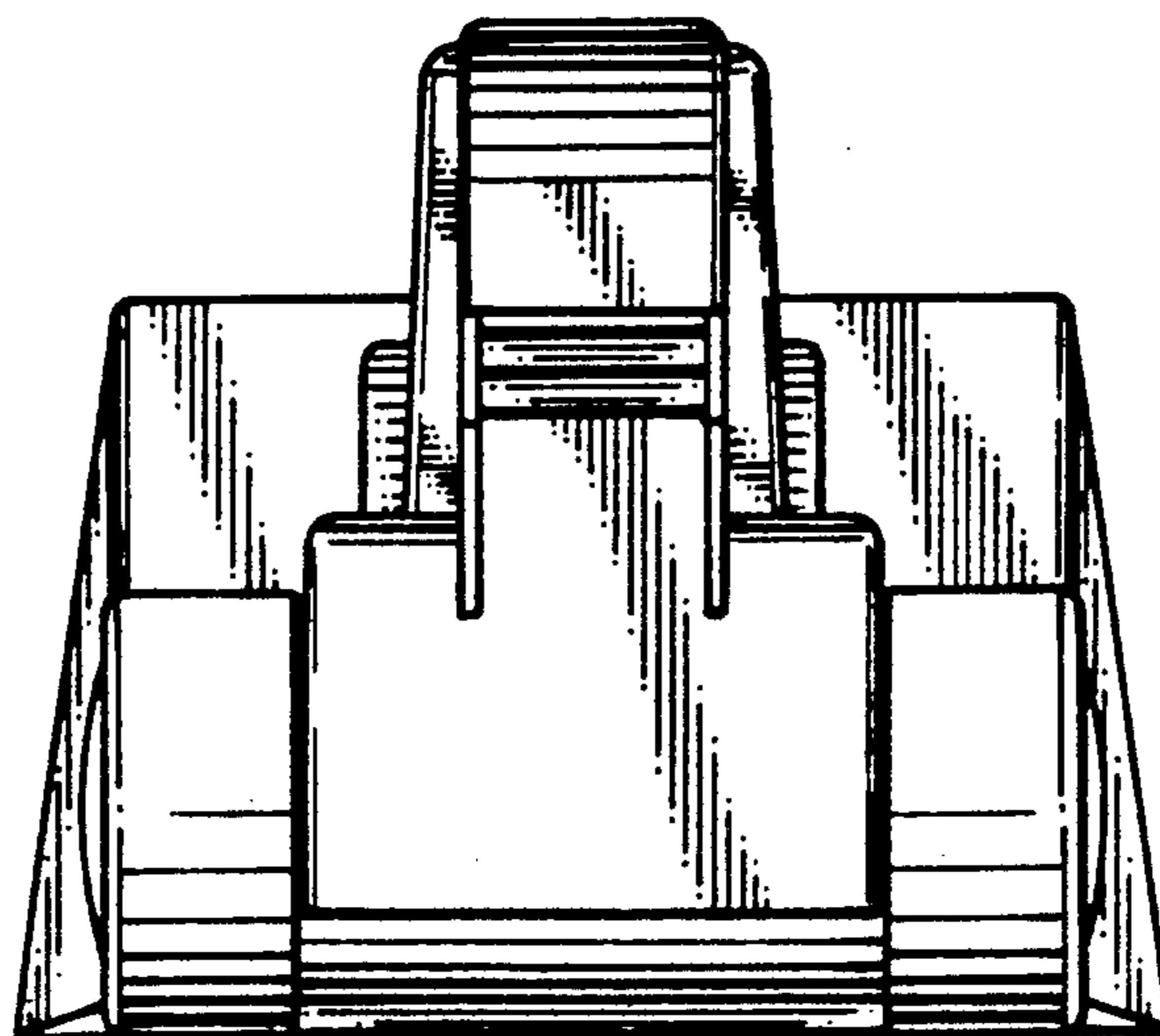
FIG. 1 is a front elevational view of a tool for playing in sand showing my new design;  
FIG. 2 is a rear elevational view thereof;  
FIG. 3 is a right-side elevational view thereof;  
FIG. 4 is a left-side elevational view thereof;  
FIG. 5 is a top plan view thereof; and  
FIG. 6 is a bottom plan view.



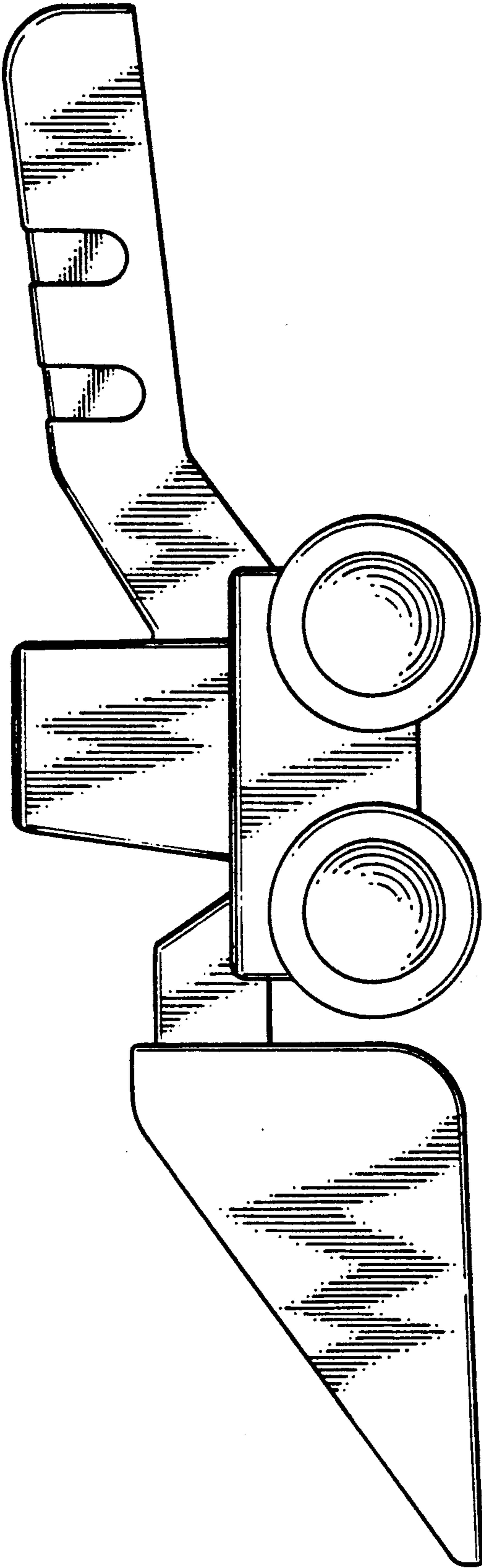
**FIG. 1.**



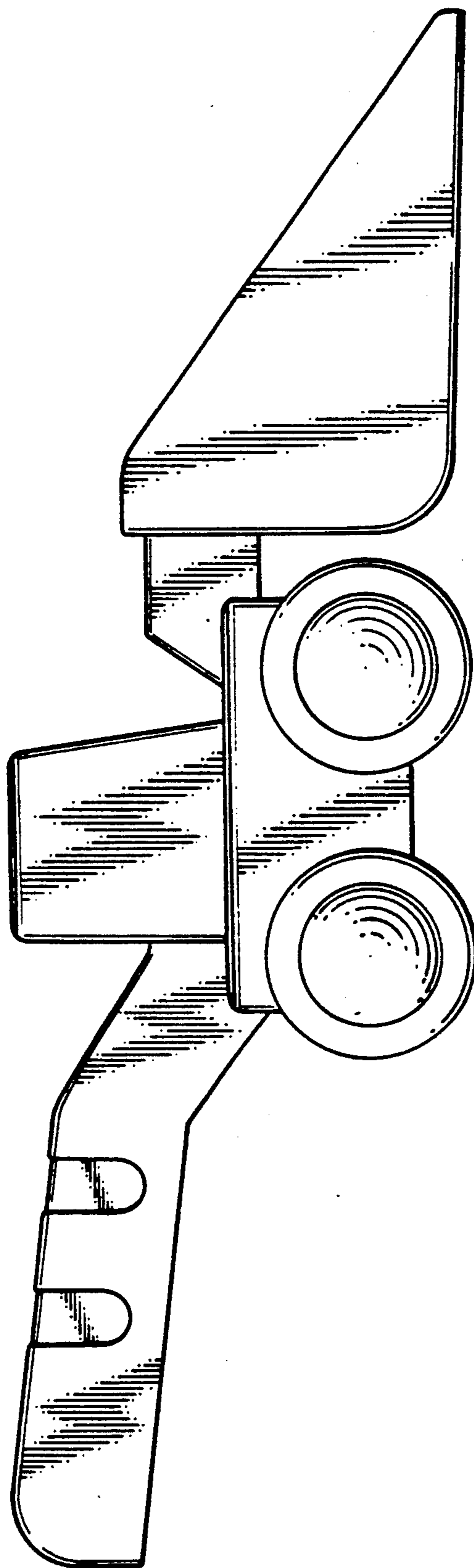
**FIG. 2.**



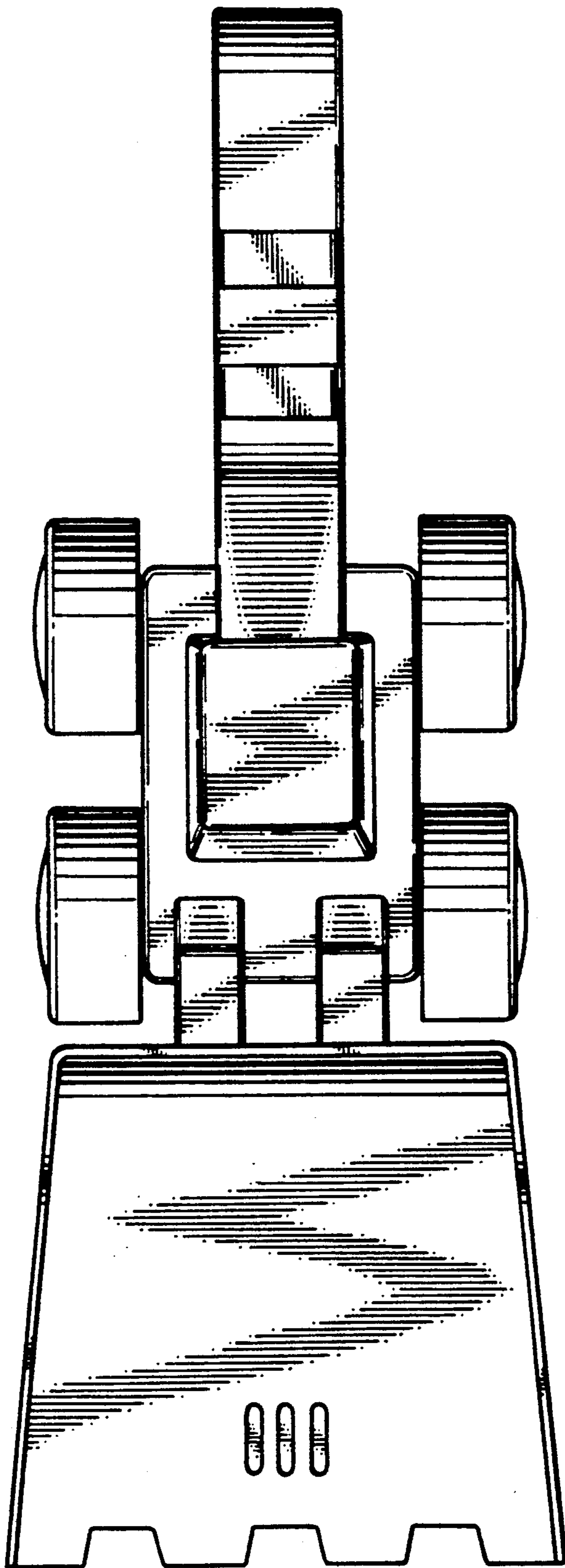
**FIG. 3.**



**FIG. 4.**



*FIG. 5.*



**FIG. 6.**

