

**United States Patent** [19]  
**Mayuzumi**

[11] **Patent Number: Des. 317,637**  
[45] **Date of Patent: \*\* Jun. 18, 1991**

- [54] **TOOL FOR PLAYING IN SAND**  
[75] **Inventor: Masaki Mayuzumi, Tokyo, Japan**  
[73] **Assignee: Tomy Company, Ltd., Tokyo, Japan**  
[\*\*] **Term: 14 Years**  
[21] **Appl. No.: 379,167**  
[22] **Filed: Jul. 13, 1989**  
[30] **Foreign Application Priority Data**  
Jan. 18, 1989 [JP] Japan ..... 1-1352  
[52] **U.S. Cl. .... D21/120; D21/132**  
[58] **Field of Search ..... D21/120, 128, 136, 140,**  
**D21/131, 132, 134; 446/69, 144, 489, 491;**  
**D7/691**  
[56] **References Cited**  
**U.S. PATENT DOCUMENTS**  
D. 248,119 6/1978 Nix et al. .... D21/134

- D. 249,978 10/1978 Samson ..... D21/132  
D. 251,626 4/1979 Nakao et al. .... D21/132  
D. 255,696 7/1980 Fratarcangeli ..... D21/132  
D. 260,722 9/1981 Bateman ..... D7/691  
D. 287,058 12/1986 Silverman ..... D21/140  
D. 308,707 6/1990 Kamikawa ..... D21/132

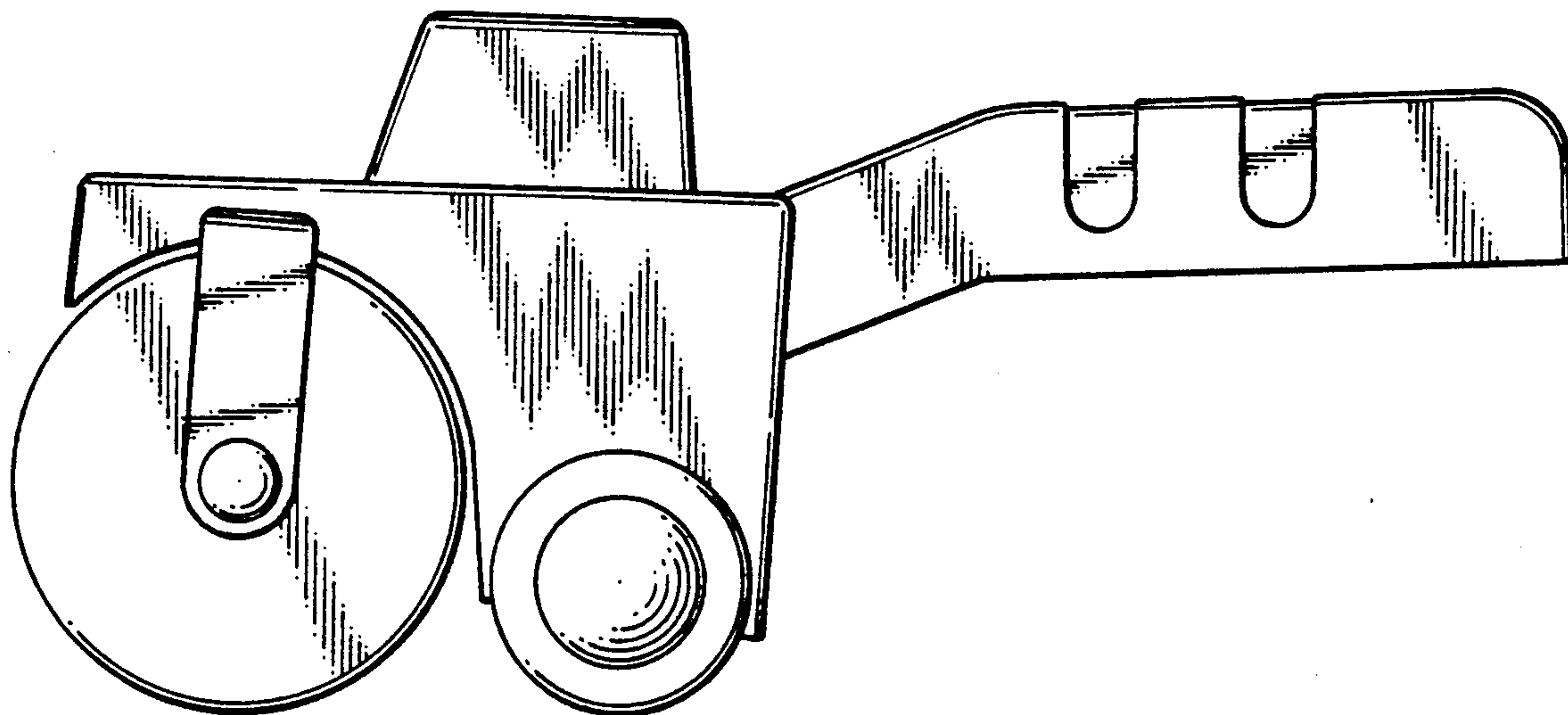
*Primary Examiner*—Charles A. Rademaker  
*Attorney, Agent, or Firm*—Staas & Halsey

[57] **CLAIM**

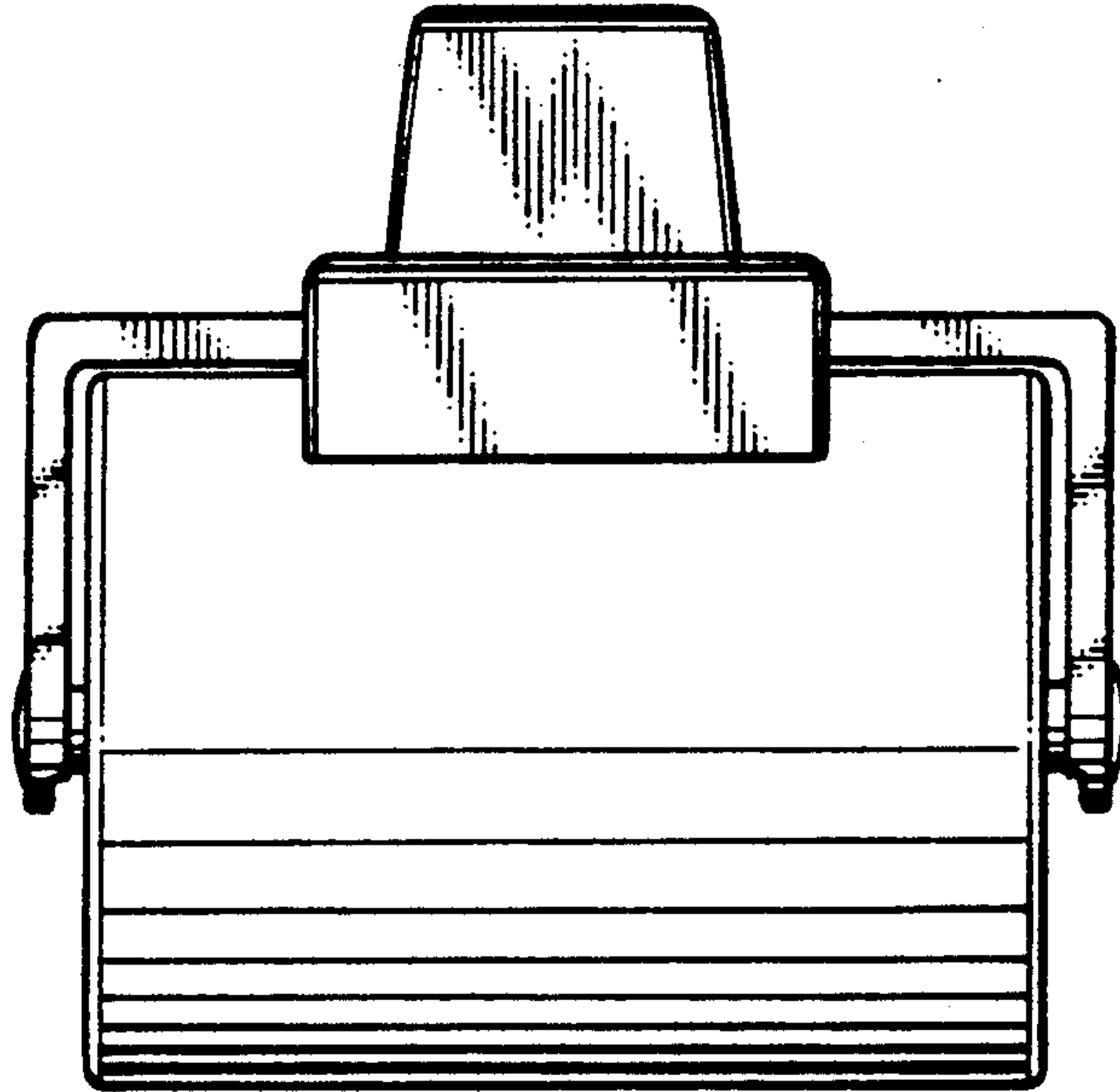
The ornamental design for a tool for playing in sand, as shown.

**DESCRIPTION**

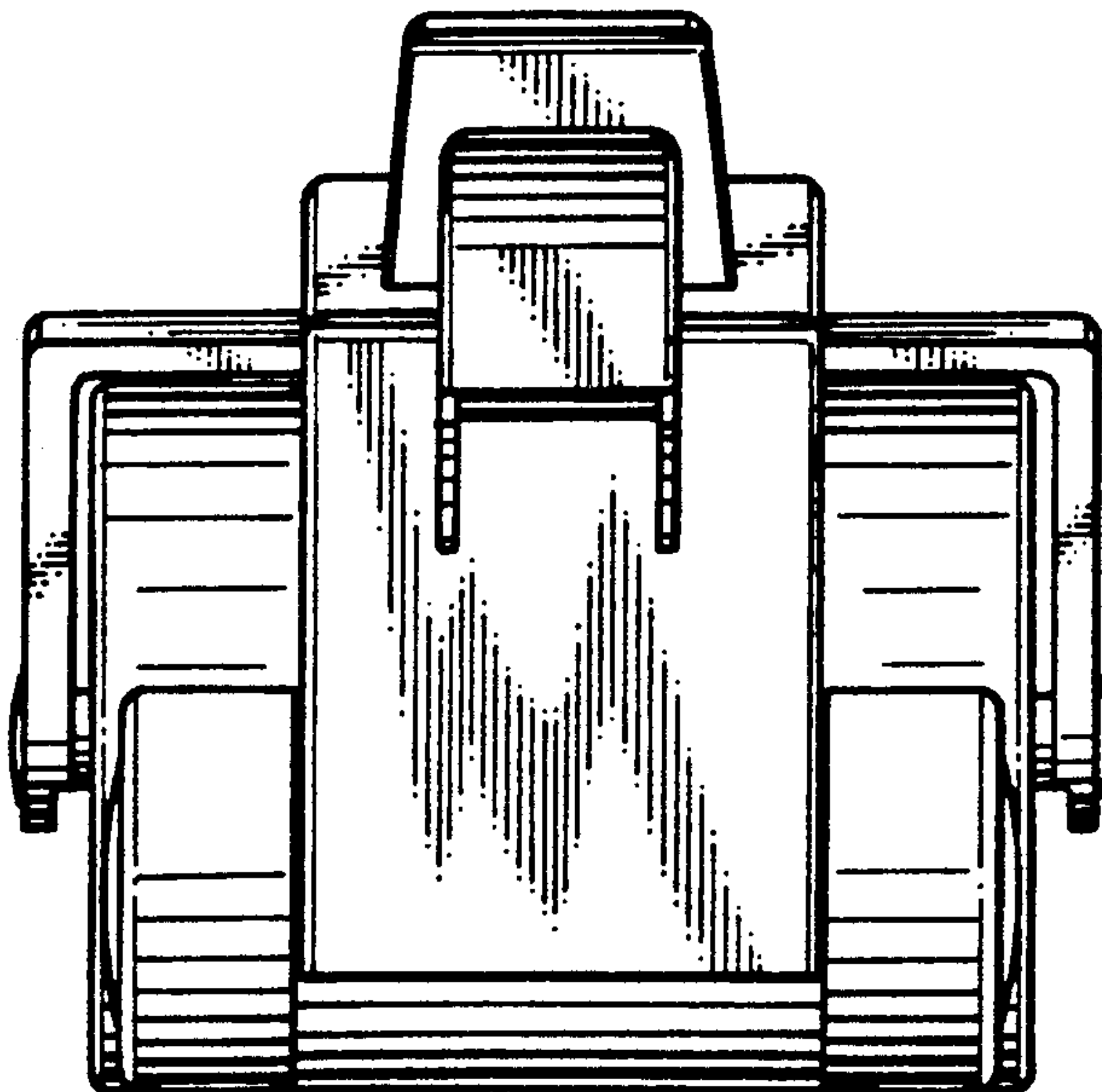
FIG. 1 is a front elevational view of a tool for playing in sand showing my new design;  
FIG. 2 is a rear elevational view thereof;  
FIG. 3 is a right-side elevational view thereof;  
FIG. 4 is a left-side elevational view thereof;  
FIG. 5 is a top plan view thereof; and  
FIG. 6 is a bottom plan view.



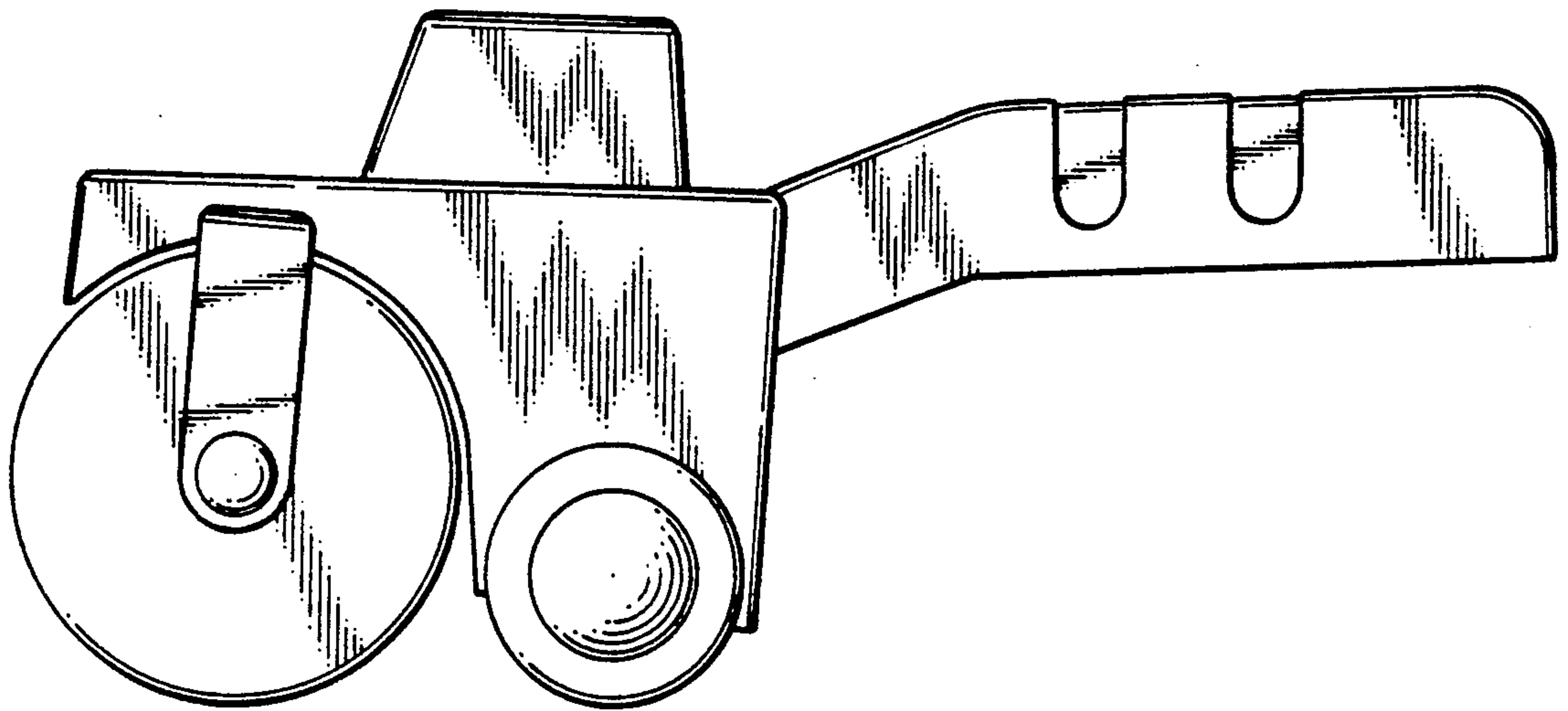
**FIG. 1.**



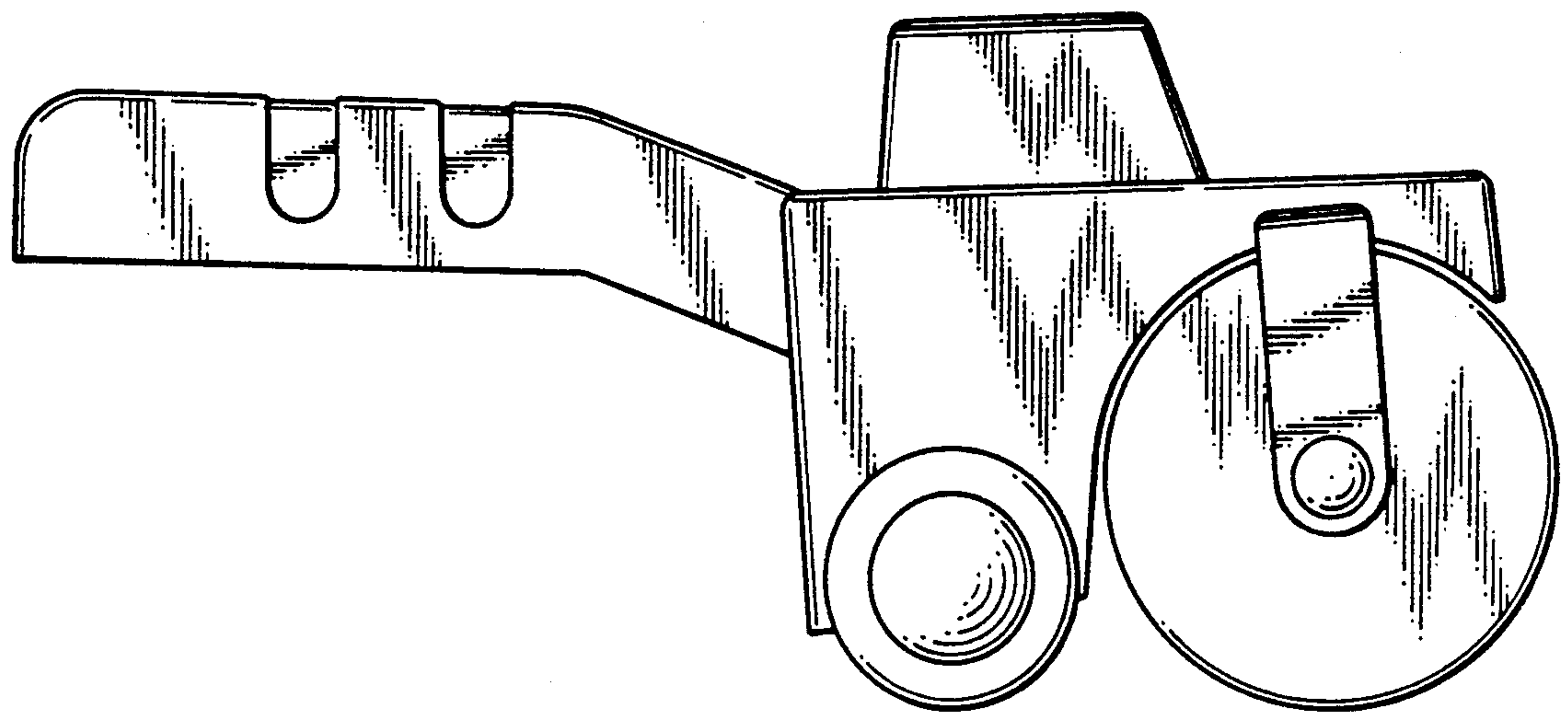
**FIG. 2.**



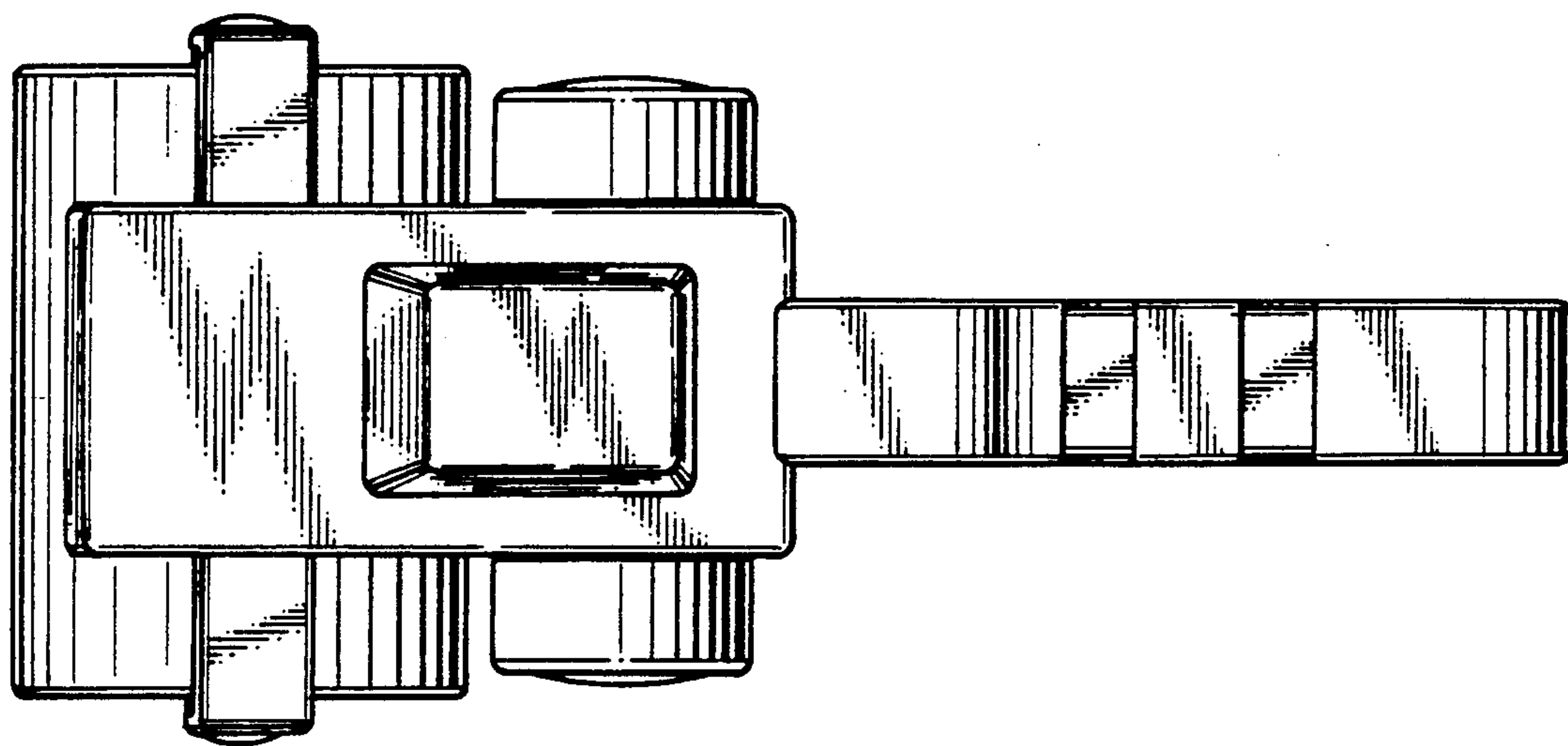
**FIG. 3.**



**FIG. 4.**



*FIG. 5.*



*FIG. 6.*

