

[54] TOOL FOR PLAYING IN SAND

[75] Inventor: Masaki Mayuzumi, Tokyo, Japan

[73] Assignee: Tomy Company, Ltd., Tokyo, Japan

[**] Term: 14 Years

[21] Appl. No.: 379,143

[22] Filed: Jul. 13, 1989

[30] Foreign Application Priority Data

Jan. 18, 1989 [JP] Japan 1-1354

[52] U.S. Cl. D21/120; D21/134

[58] Field of Search D21/120, 128, 136, 140,
D21/131, 132, 134; 446/69, 144, 489, 491;
D7/691

[56] References Cited

U.S. PATENT DOCUMENTS

D-230,175 1/1974 Pimentel et al. D21/140

- D. 248,119 6/1978 Nix et al. D21/134
- D. 251,626 4/1979 Nakao et al. D21/132
- D. 252,892 9/1979 Shigenori D21/134
- D. 287,058 12/1986 Silverman D21/140
- D. 297,552 9/1988 Zinter-Chahin et al. D21/128

Primary Examiner—Charles A. Rademaker
Attorney, Agent, or Firm—Staas & Halsey

[57] CLAIM

The ornamental design for a tool for playing in sand, as shown.

DESCRIPTION

FIG. 1 is a front elevational view of a tool for playing in sand showing my new design;
FIG. 2 is a rear elevational view thereof;
FIG. 3 is a right-side elevational view thereof;
FIG. 4 is a left-side elevational view thereof;
FIG. 5 is a top plan view thereof; and
FIG. 6 is a bottom plan view.

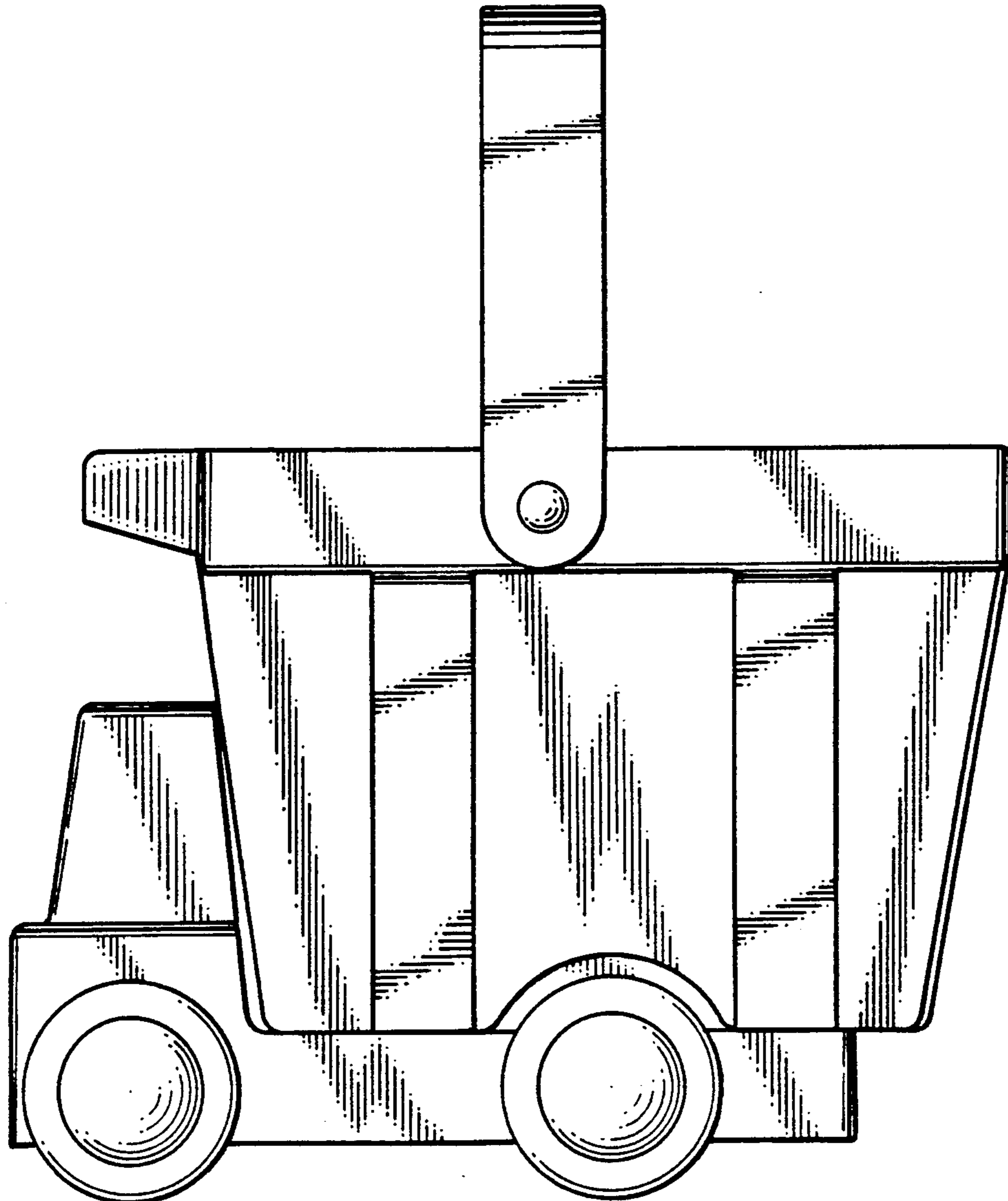


FIG. 1.

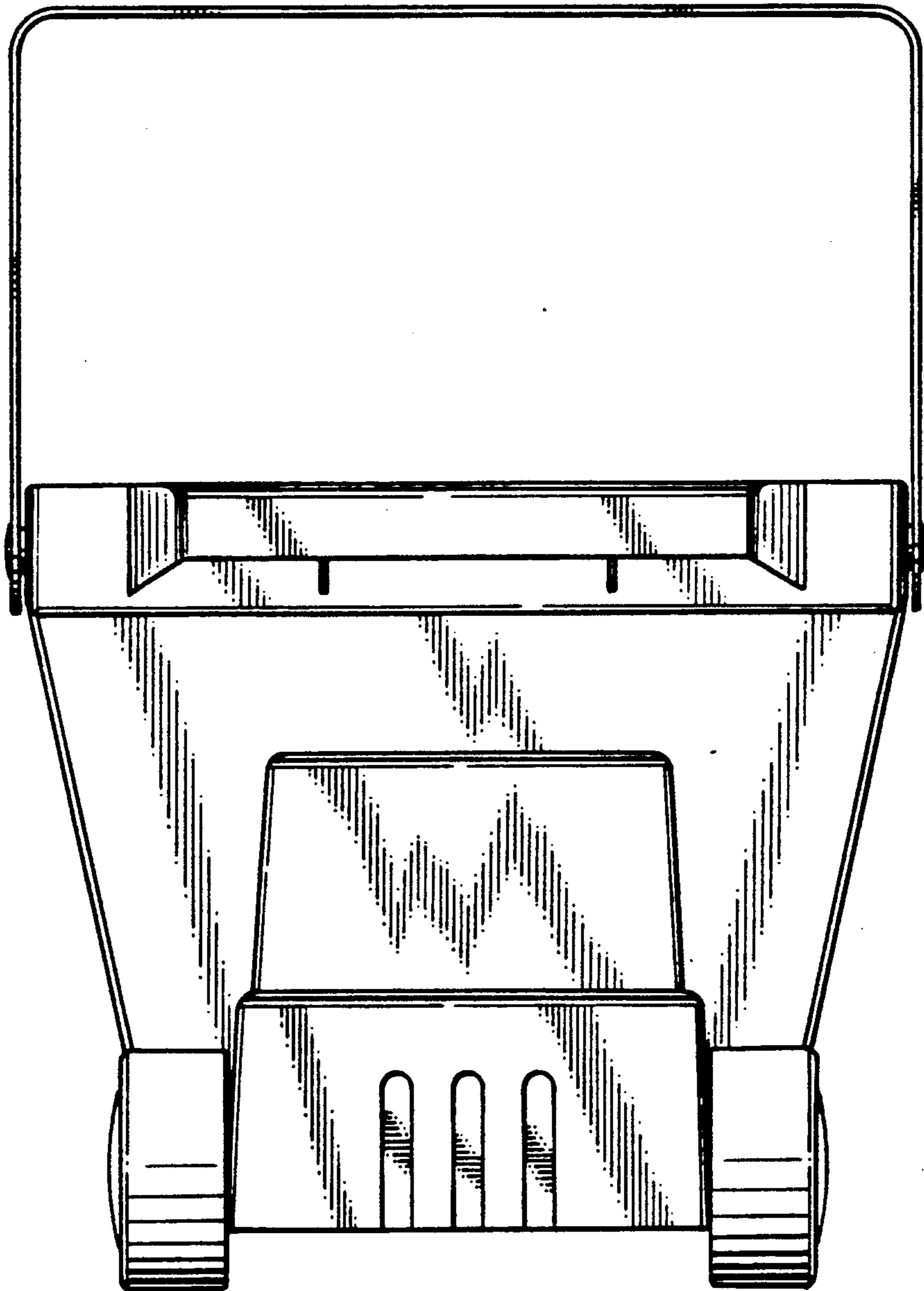


FIG. 2.

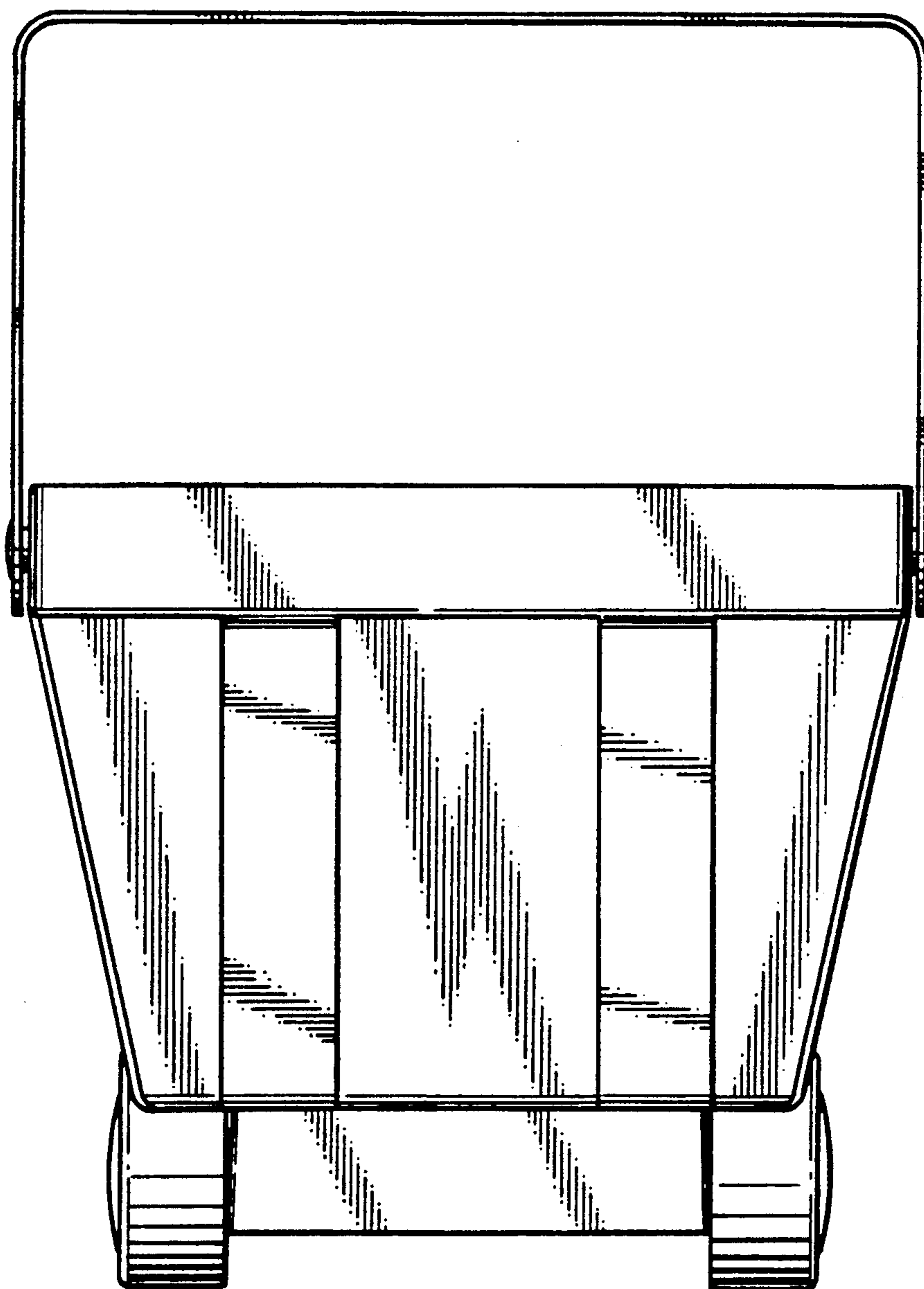


FIG. 3.

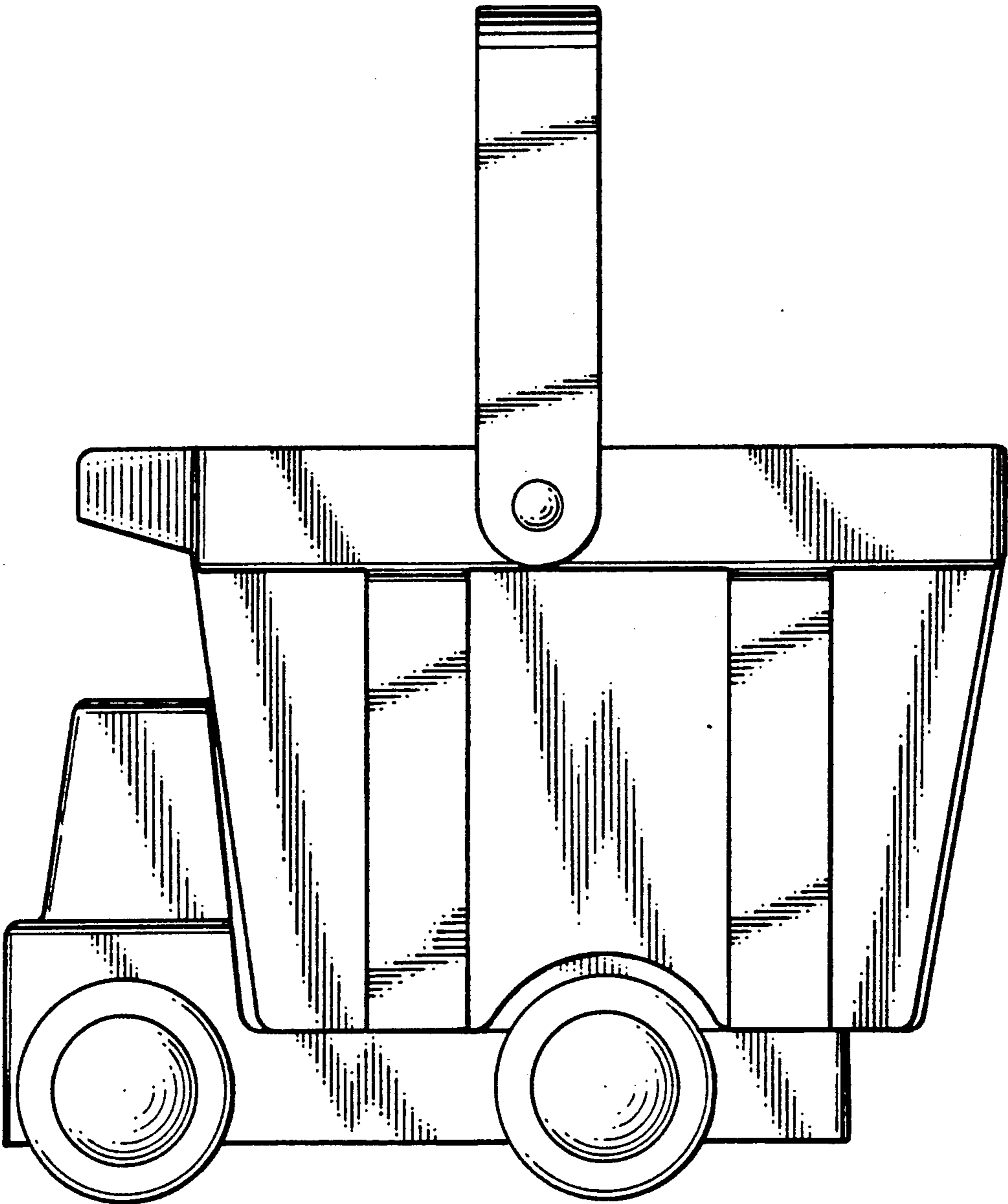


FIG. 4.

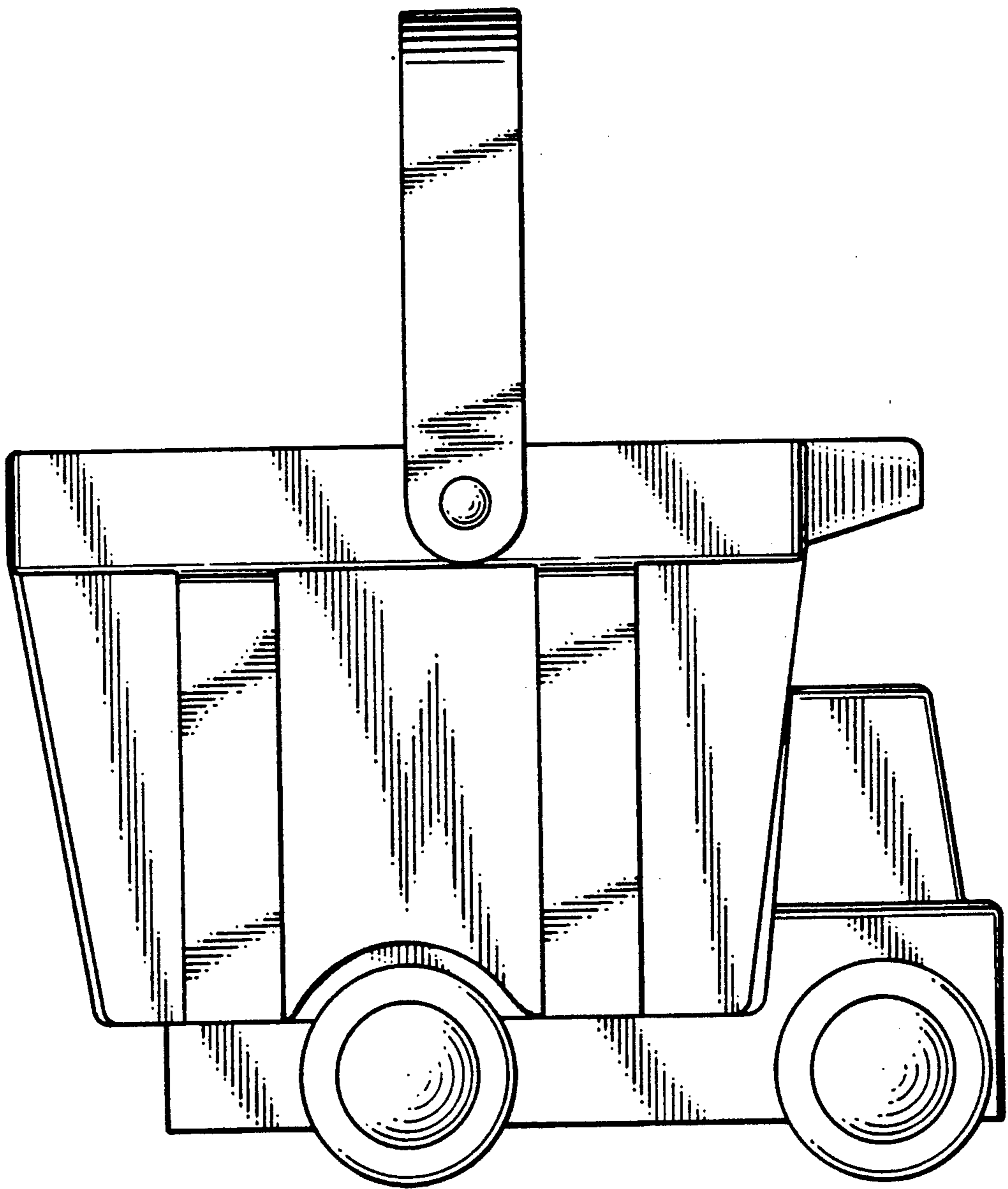


FIG. 5.

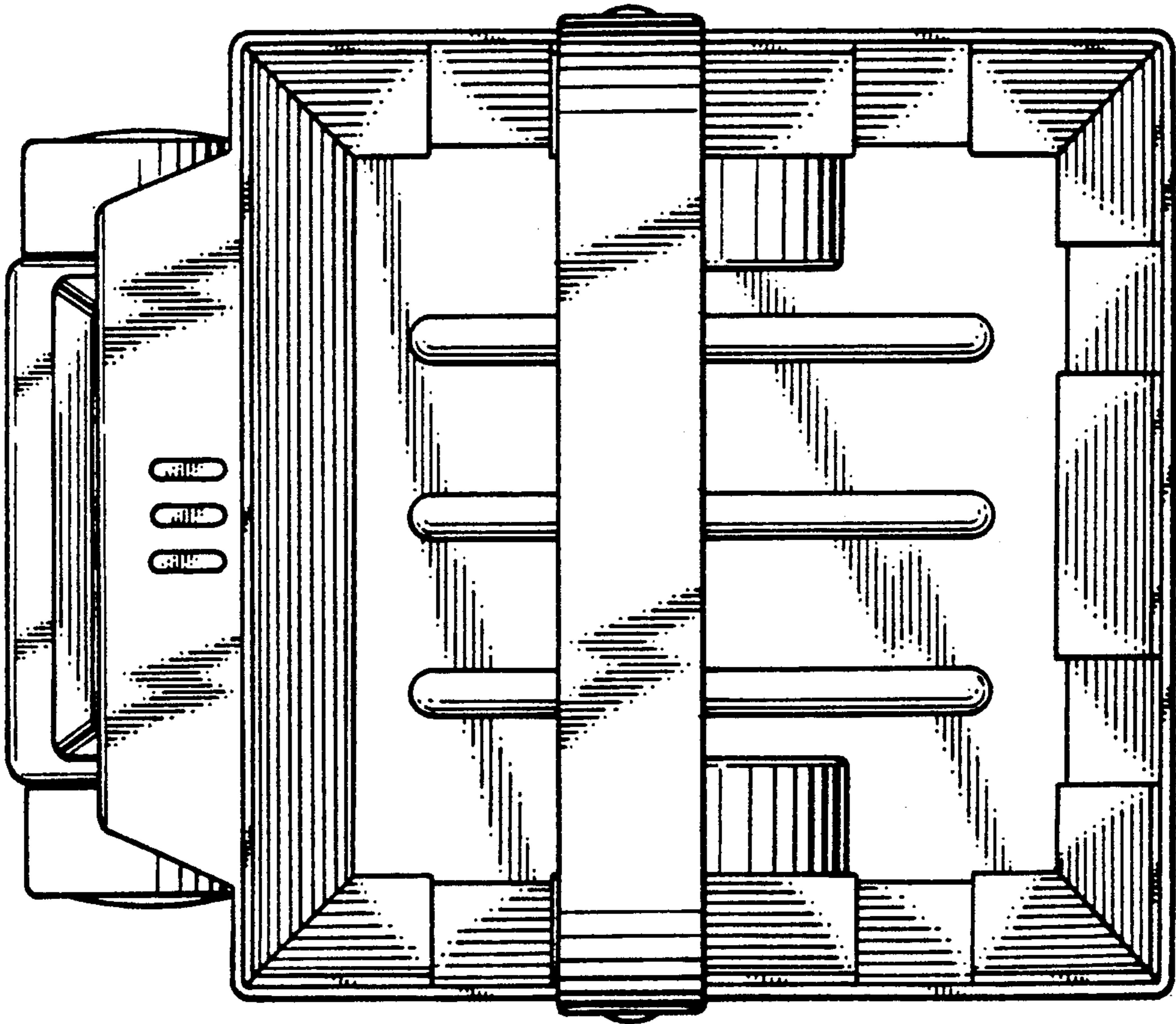


FIG. 6.

