

[54] TOY RATTLE

[75] Inventor: James F. Mariol, Cincinnati, Ohio

[73] Assignee: The Little Tikes Company, Hudson, Ohio

[\*\*] Term: 14 Years

[21] Appl. No.: 371,012

[22] Filed: Jun. 26, 1989

[52] U.S. Cl. .... D21/65; D21/65

[58] Field of Search ..... D21/59, 62, 63, 64, D21/65; 446/227, 397, 419, 420, 421, 422

[56] References Cited

U.S. PATENT DOCUMENTS

- D. 132,342 5/1942 Cohn ..... D21/65
- D. 139,511 11/1944 Allen ..... D21/65

- D. 263,608 3/1982 Loewenton ..... D21/65
- D. 275,581 9/1984 Nakao et al. .... D21/65
- 2,644,890 7/1953 Hollihan ..... D21/65
- 2,662,336 12/1953 Zalkind ..... D21/65

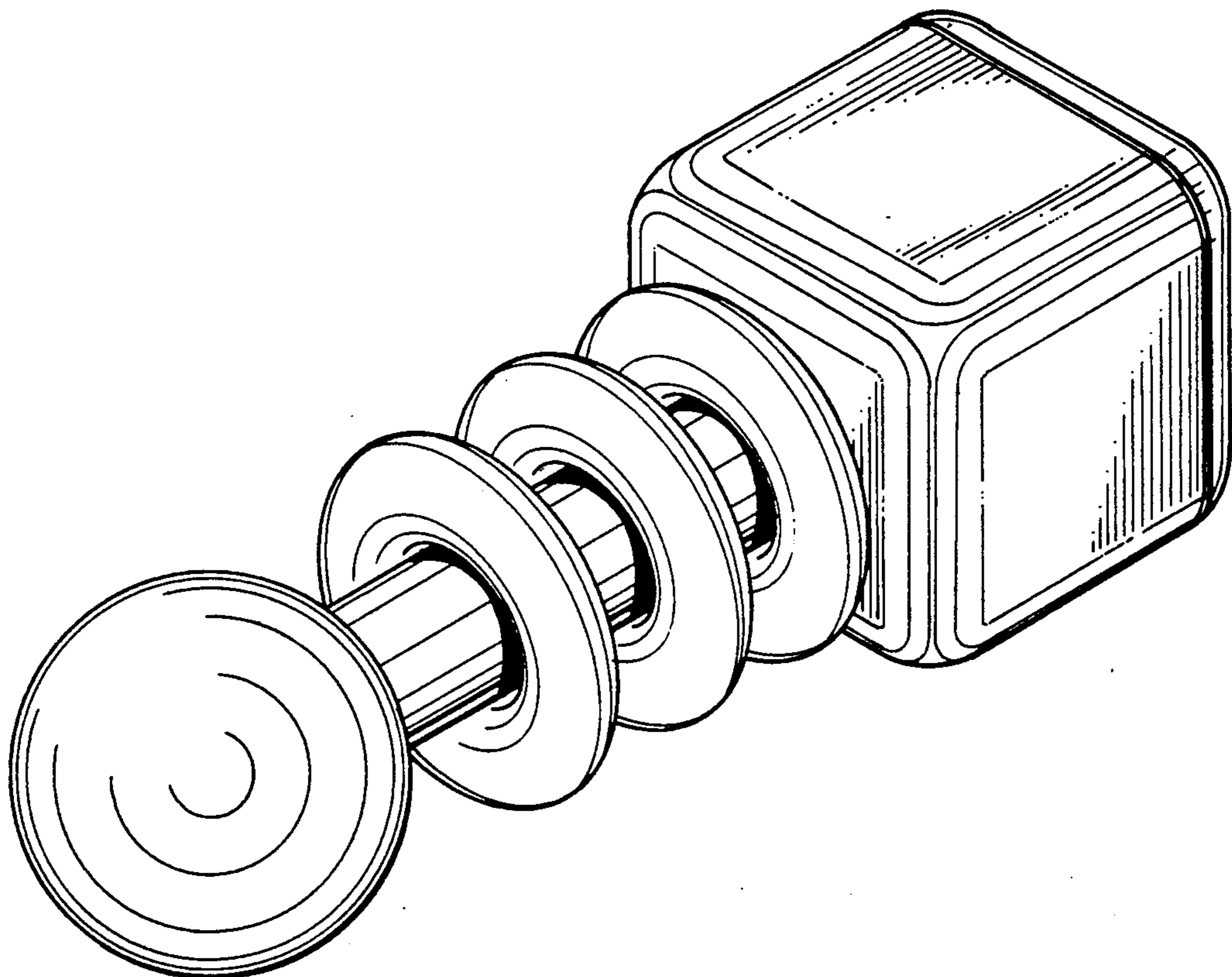
Primary Examiner—Charles A. Rademaker  
Attorney, Agent, or Firm—Richard B. O’Planick

[57] CLAIM

The ornamental design for a toy rattle, as shown and described.

DESCRIPTION

FIG. 1 is a front perspective view of a toy rattle embodying my new design.  
 FIG. 2 is a top plan view thereof.  
 FIG. 3 is a bottom plan view thereof.  
 FIG. 4 is a left side elevational view thereof; the opposite side being a mirror image.



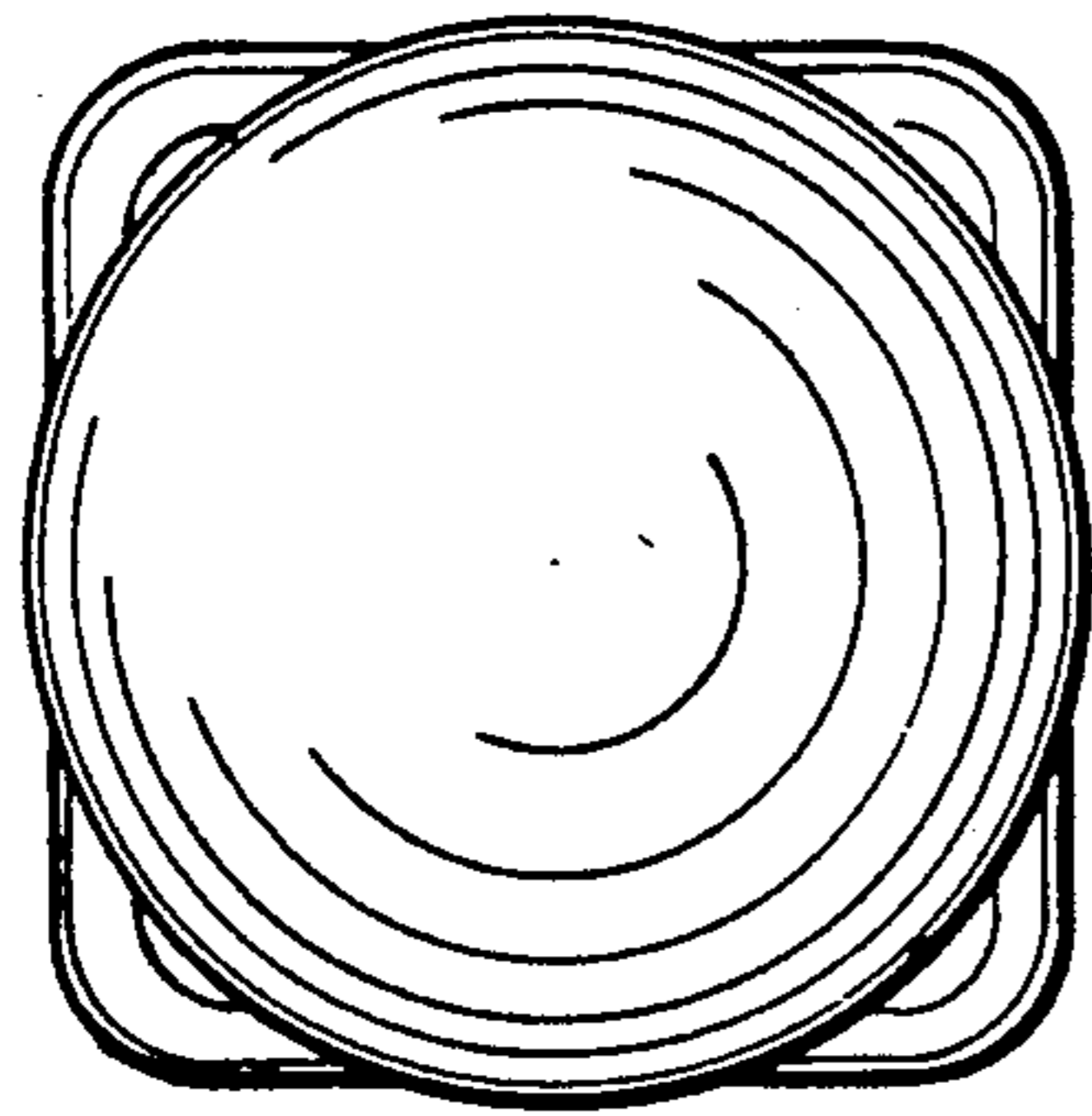


FIG. 2

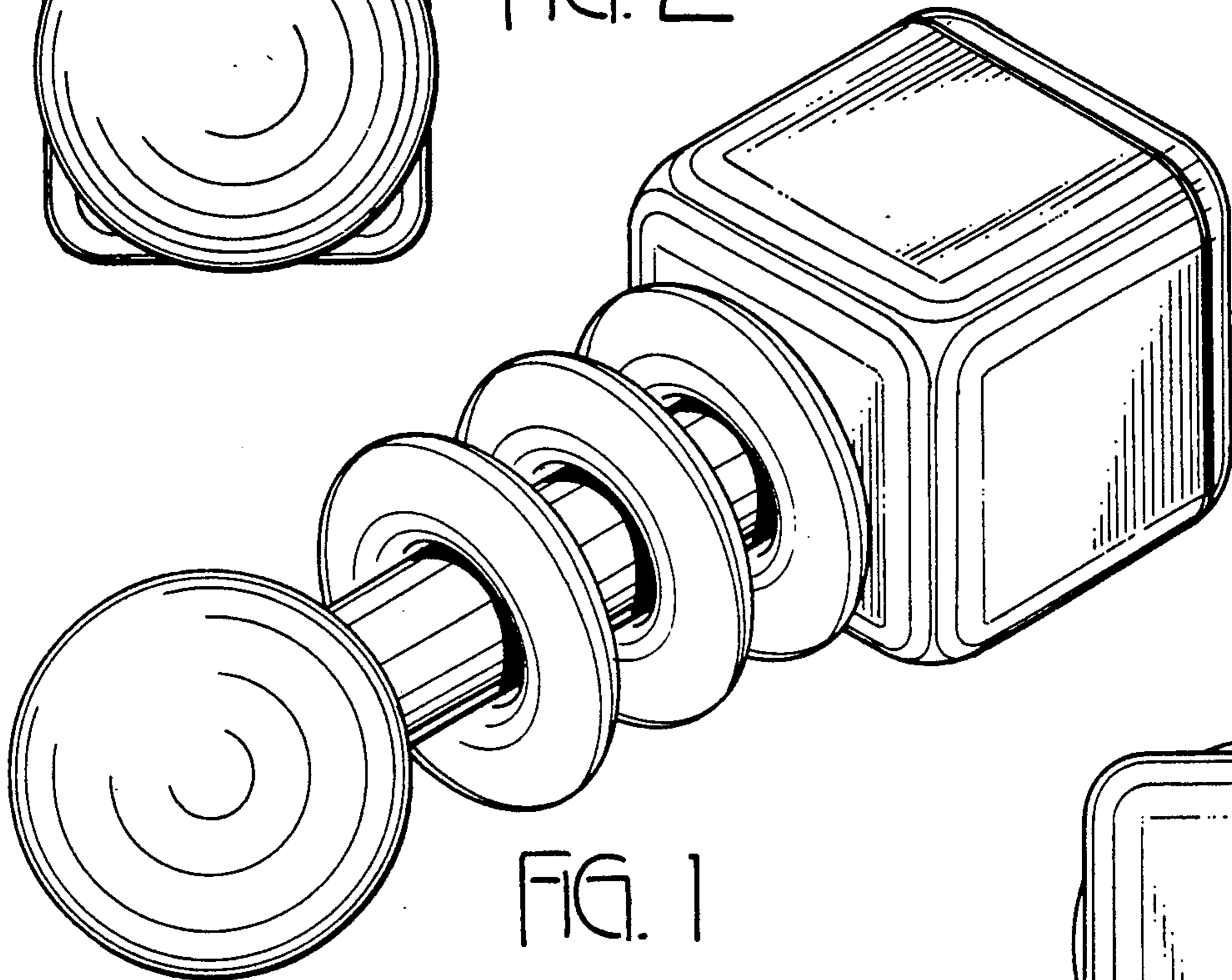


FIG. 1

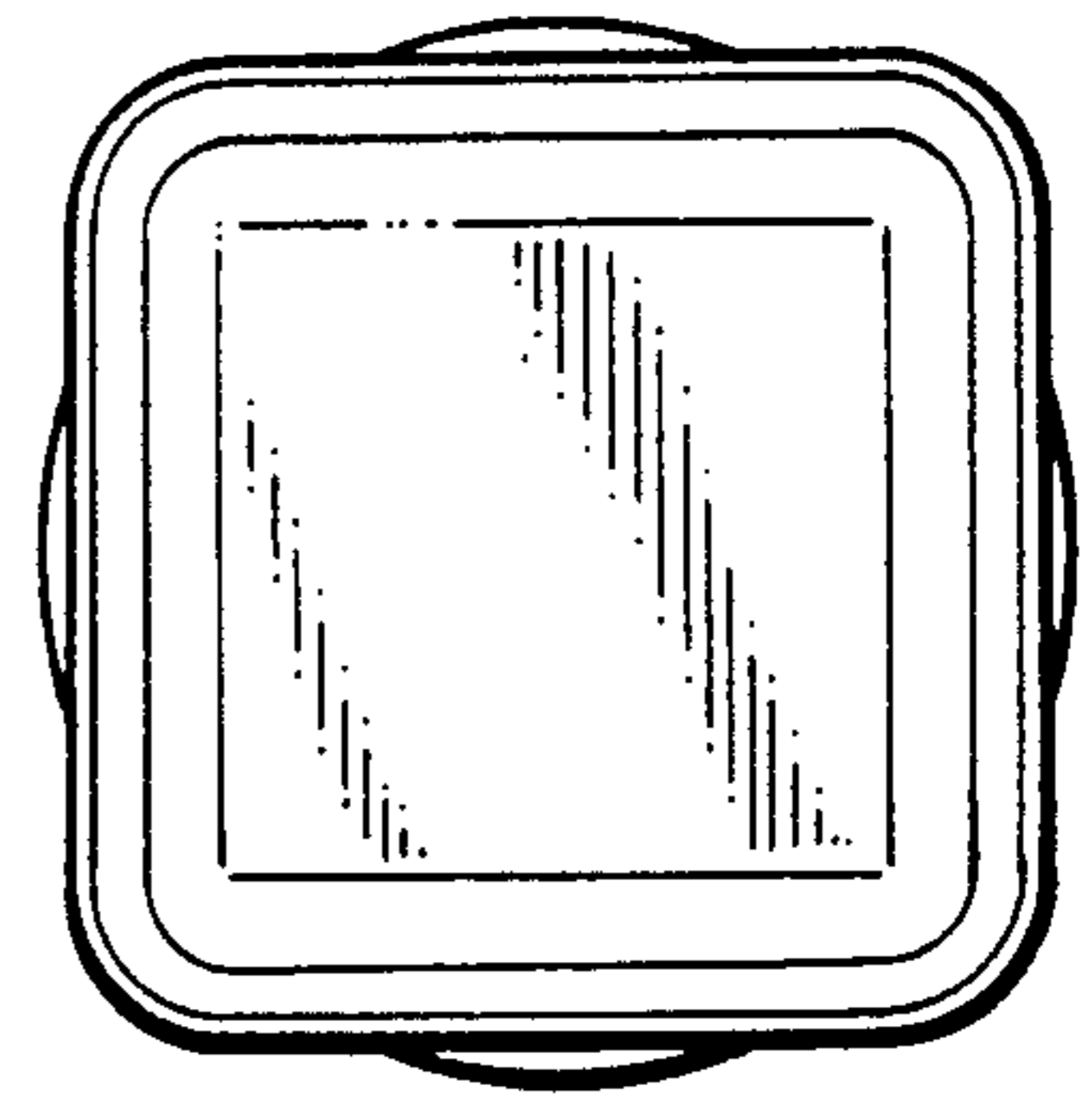


FIG. 3

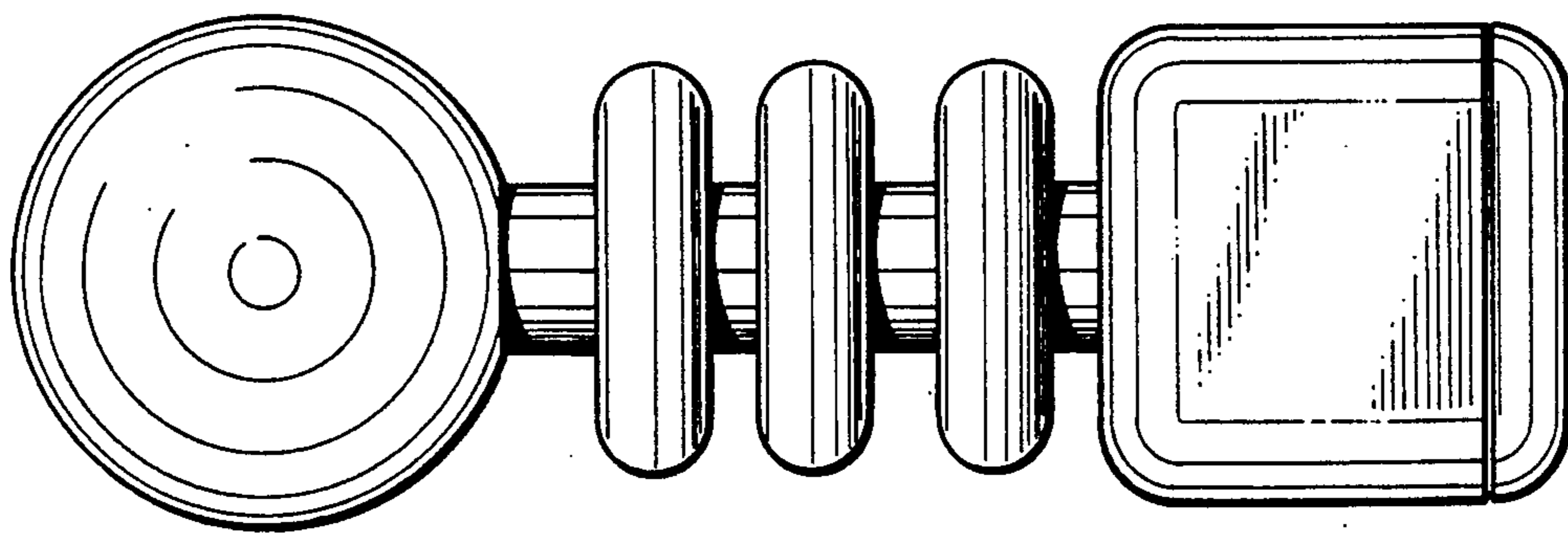


FIG. 4