

[54] **DESK TRAY**

[75] **Inventor: Mel Evenson, San Pedro, Calif.**

[73] **Assignee: Eldon Industries, Inc., Inglewood, Calif.**

[**] **Term: 14 Years**

[21] **Appl. No.: 101,770**

[22] **Filed: Sep. 28, 1987**

[52] **U.S. Cl. D19/92; D19/86; D19/95**

[58] **Field of Search D19/65, 75, 78, 86, D19/91, 92, 95, 100; 211/126; 206/503, 505-511, 558**

[56] **References Cited**

U.S. PATENT DOCUMENTS

D. 230,646 3/1974 Unger D19/92

D. 269,017 5/1983 Martin D19/92
D. 277,396 1/1985 Mahler D19/92 X
D. 294,601 3/1988 Klodt D19/92
D. 296,706 7/1988 Evans .

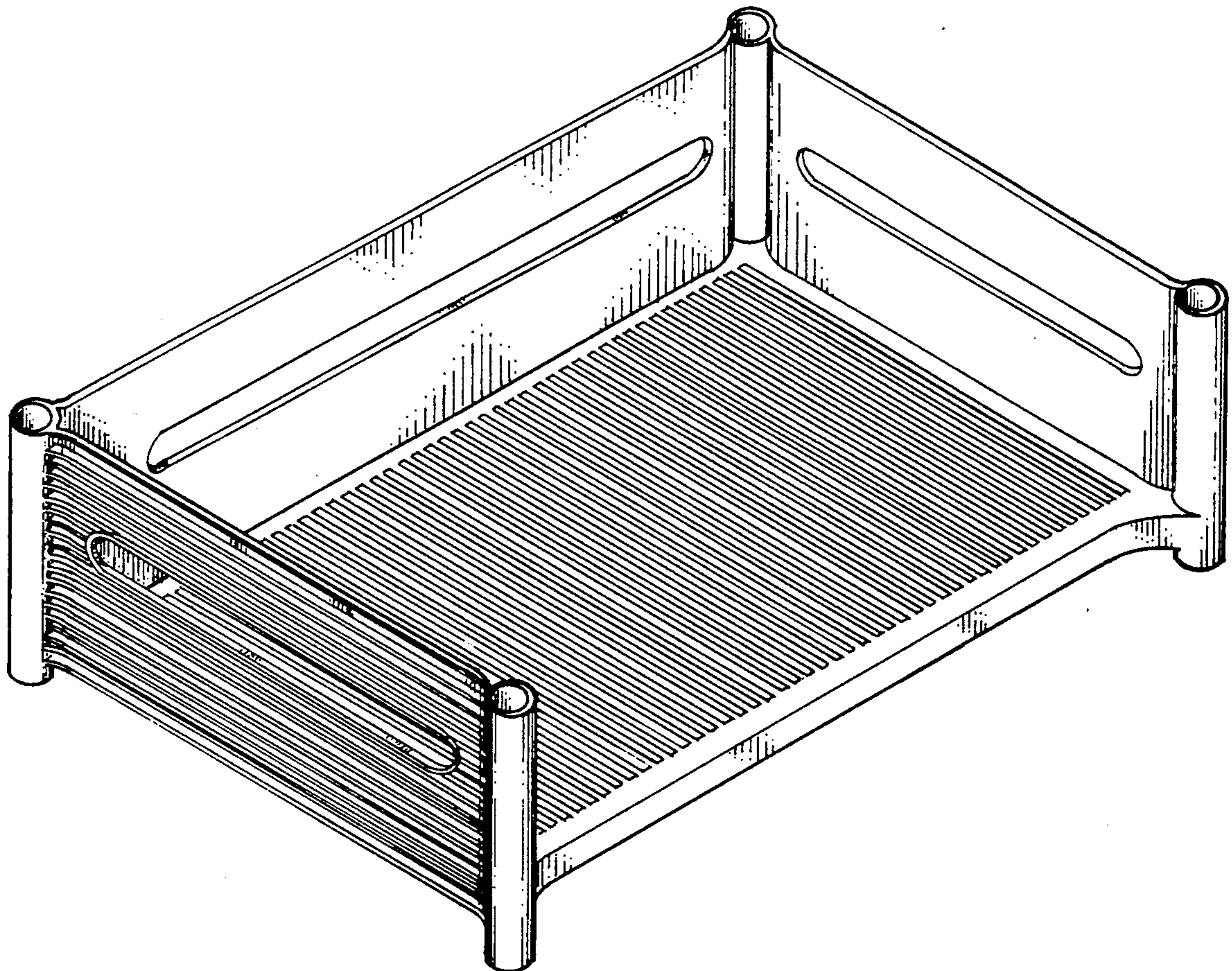
Primary Examiner—Nelson C. Holtje
Assistant Examiner—Martha Thompson

[57] **CLAIM**

The ornamental design for a desk tray, as shown and described.

DESCRIPTION

FIG. 1 is a top plan view of a desk tray showing my new design;
FIG. 2 is a bottom plan view thereof;
FIG. 3 is a front elevational view thereof;
FIG. 4 is a right end elevational view, the left end being a mirror image thereof;
FIG. 5 is a rear elevational view thereof; and
FIG. 6 is a perspective view thereof.



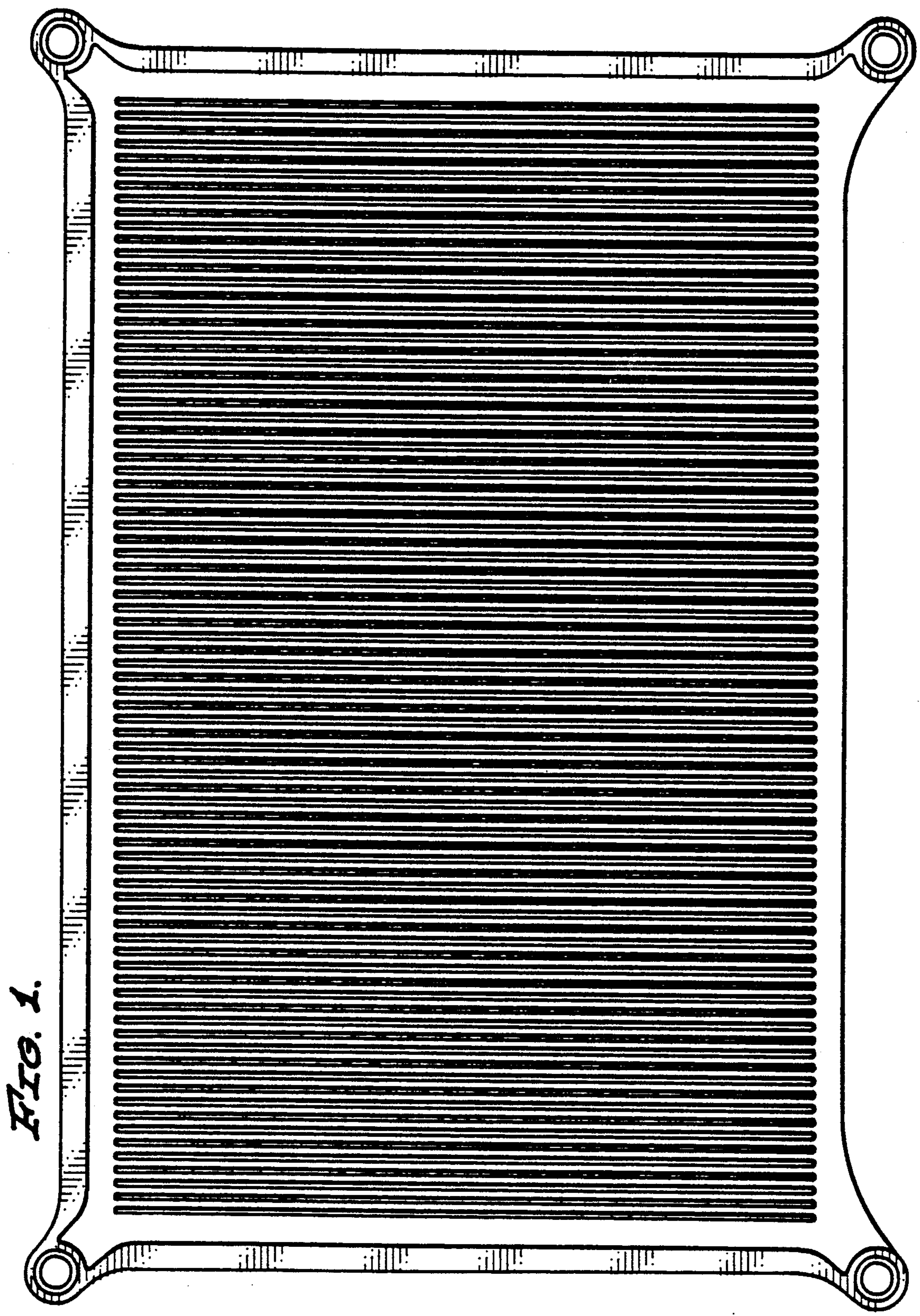


FIG. 1.

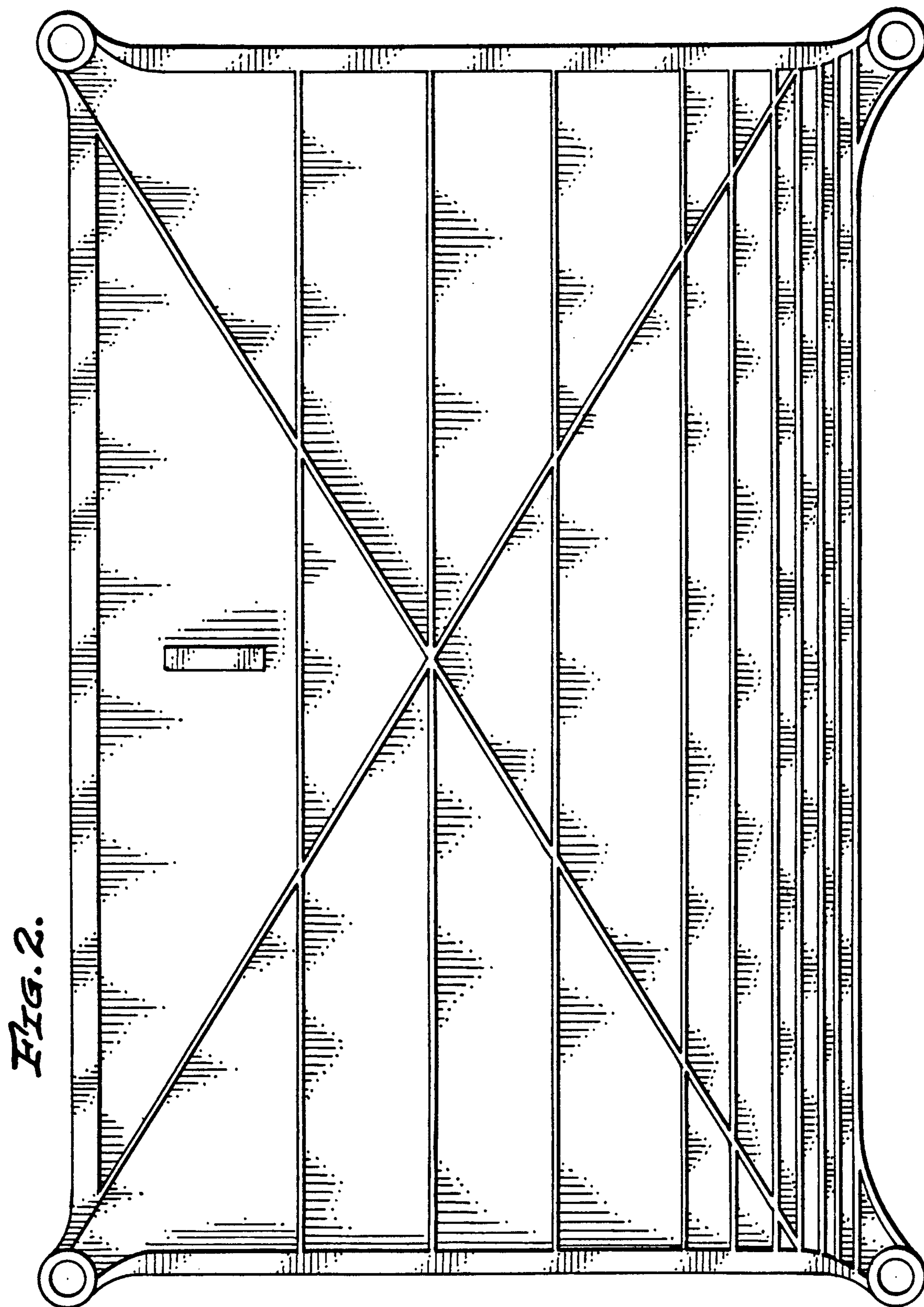


FIG. 3.

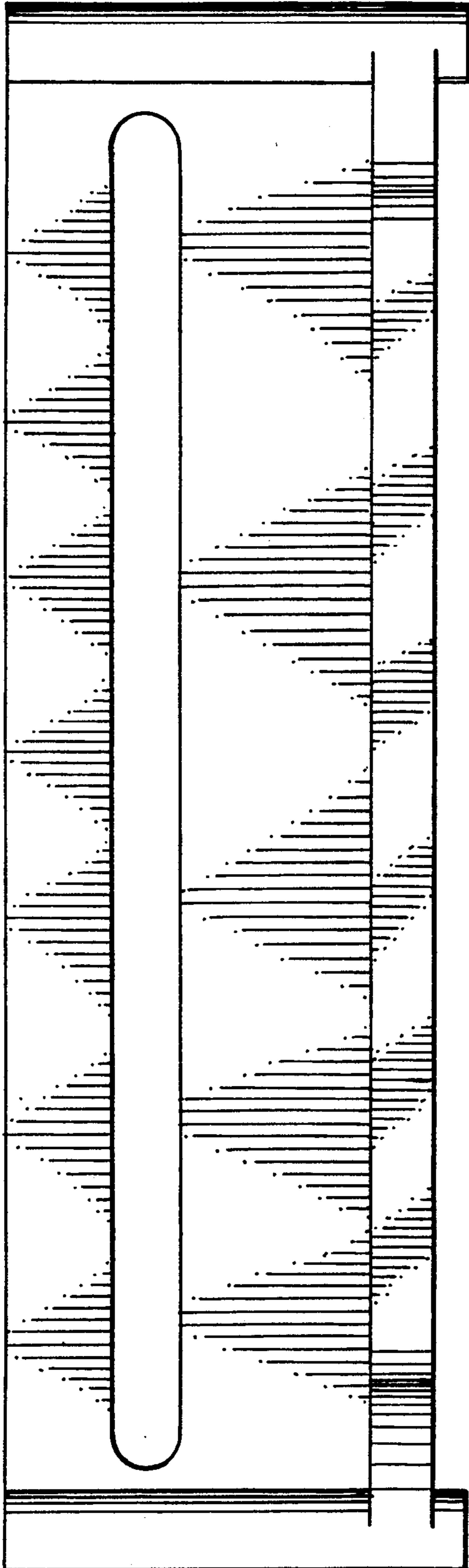
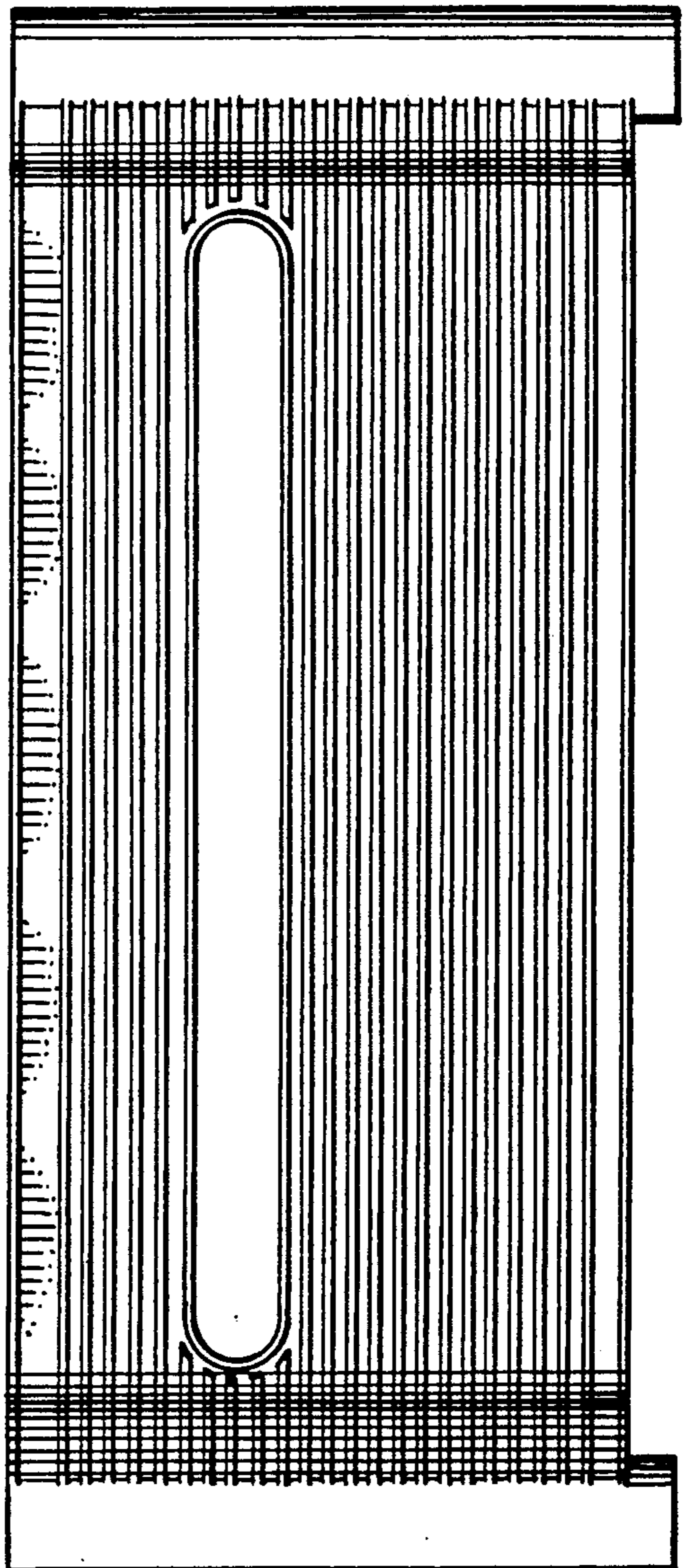


FIG. 4.



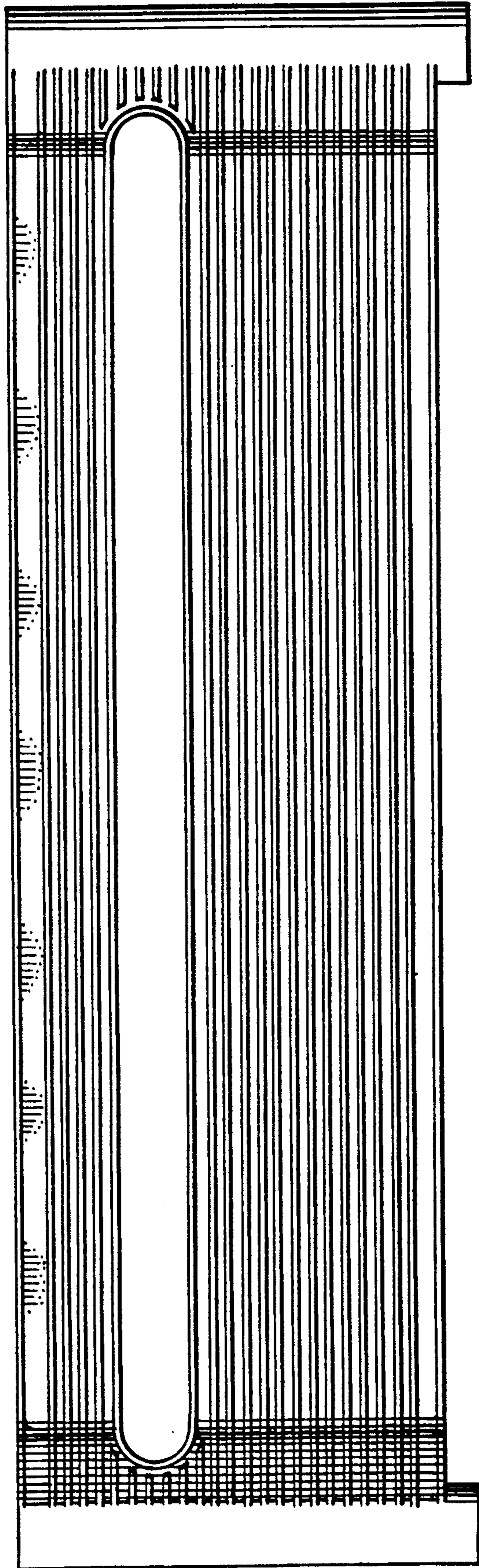


FIG. 5.

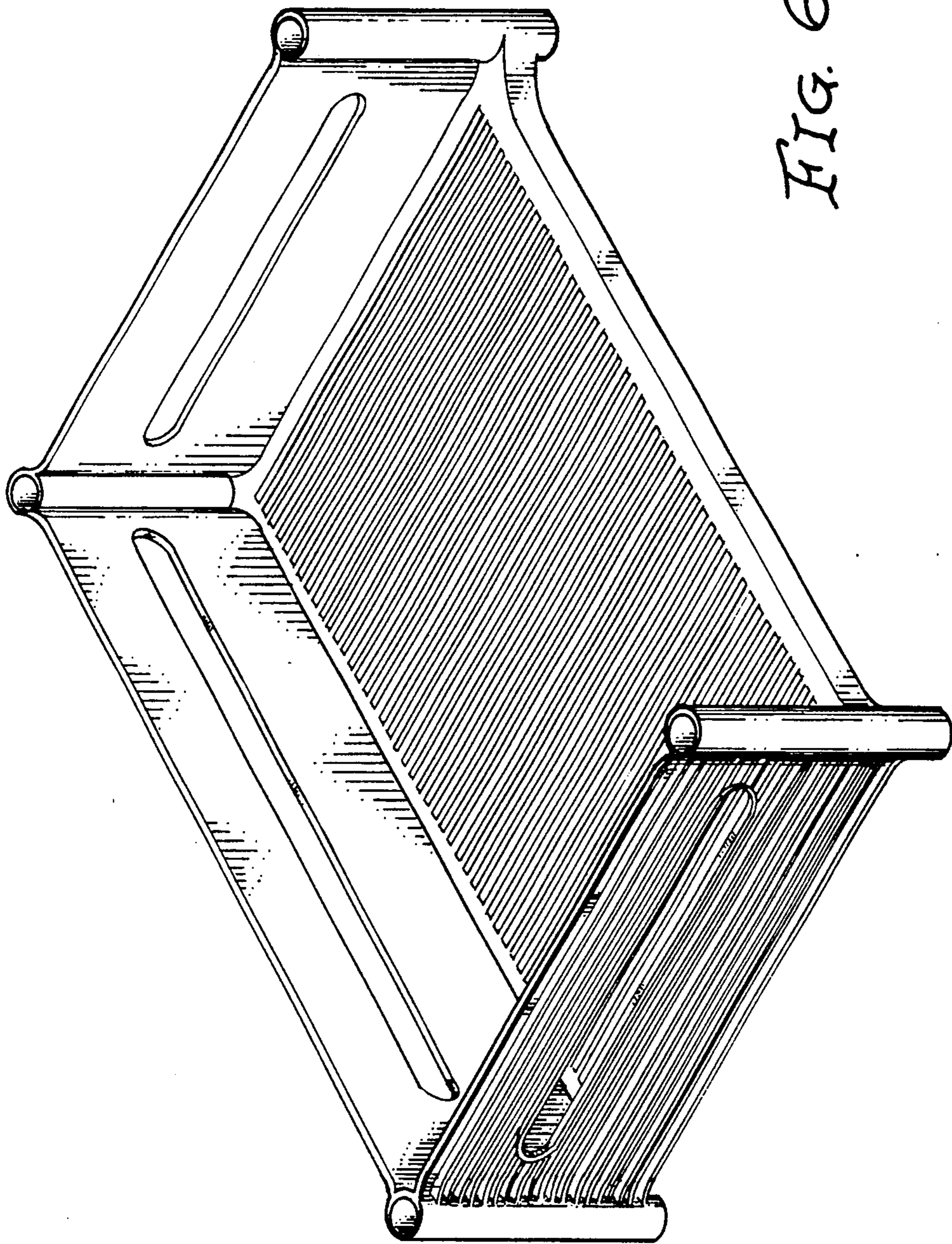


FIG. 6.