

[54] COMBINED PEN AND MAGNETIC HOLDER THEREFOR

[76] Inventor: William R. Jurinjak, 728 W. 1720 N.#216, Provo, Utah

[\*\*] Term: 14 Years

[21] Appl. No.: 235,632

[22] Filed: Aug. 24, 1988

[52] U.S. Cl. .... D19/42; D19/51; D19/82; D19/84

[58] Field of Search ..... D19/35, 36, 41-51, D19/54-58, 81, 82, 83, 84, 85; D11/131, 157; D21/208, 234

[56] References Cited

U.S. PATENT DOCUMENTS

- D. 47,473 6/1915 Reitter ..... D19/42
- D. 188,446 7/1960 Weiss ..... D19/82
- D. 231,140 4/1974 Blodgett ..... D19/84 X
- D. 288,258 2/1987 Oden ..... D11/157

- D. 306,632 3/1990 Gowin ..... D21/234
- 1,633,686 6/1927 Stone ..... D21/208 X
- 1,862,708 6/1932 Rosenberg ..... D21/234 X
- 1,959,347 5/1934 Czichos ..... D21/234 X
- 2,219,732 10/1940 Armstrong ..... D21/234 X
- 2,823,038 2/1958 White ..... D21/234 X

Primary Examiner—Bruce W. Dunkins  
Assistant Examiner—Martha Thompson

[57] CLAIM

The ornamental design for a combined pen and magnetic holder therefor, as shown and described.

DESCRIPTION

FIG. 1 is a left front perspective view of a combined pen and magnetic holder therefor showing my new design;

FIG. 2 is a front elevational view;

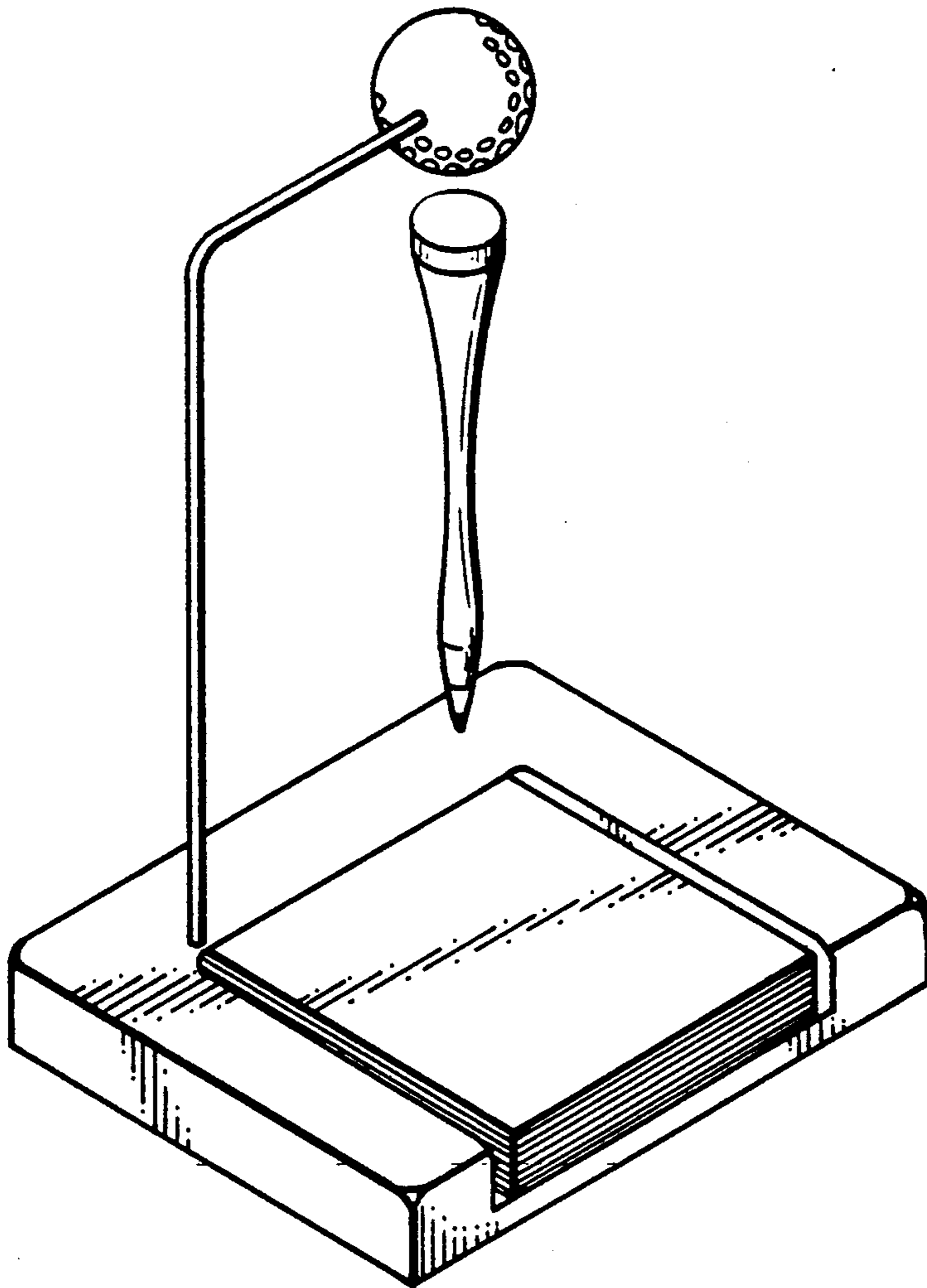
FIG. 3 is a rear elevational view;

FIG. 4 is a left side elevational view;

FIG. 5 is a right side elevational view;

FIG. 6 is a top plan view; and

FIG. 7 is a bottom plan view thereof.



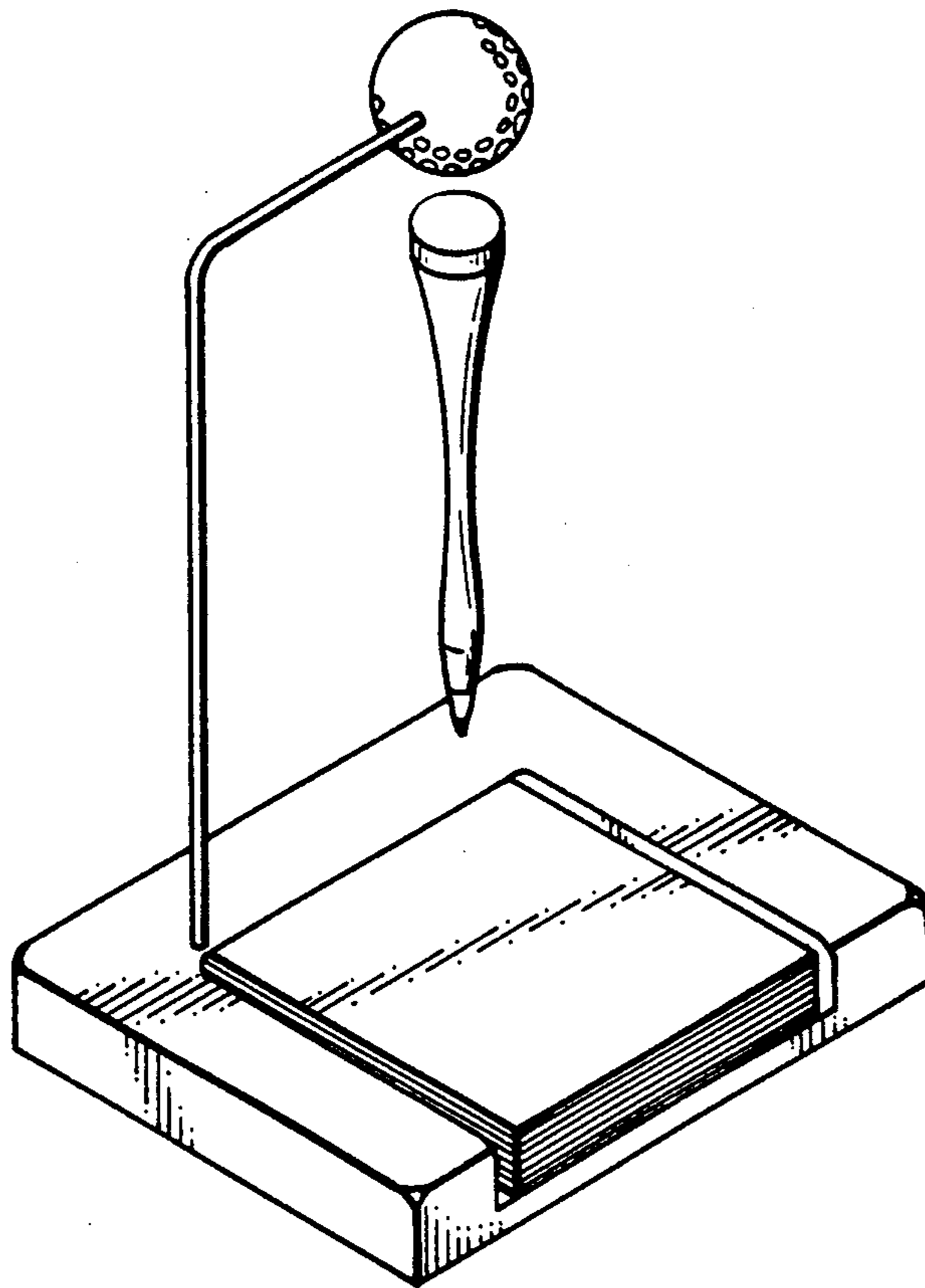


Fig. 1

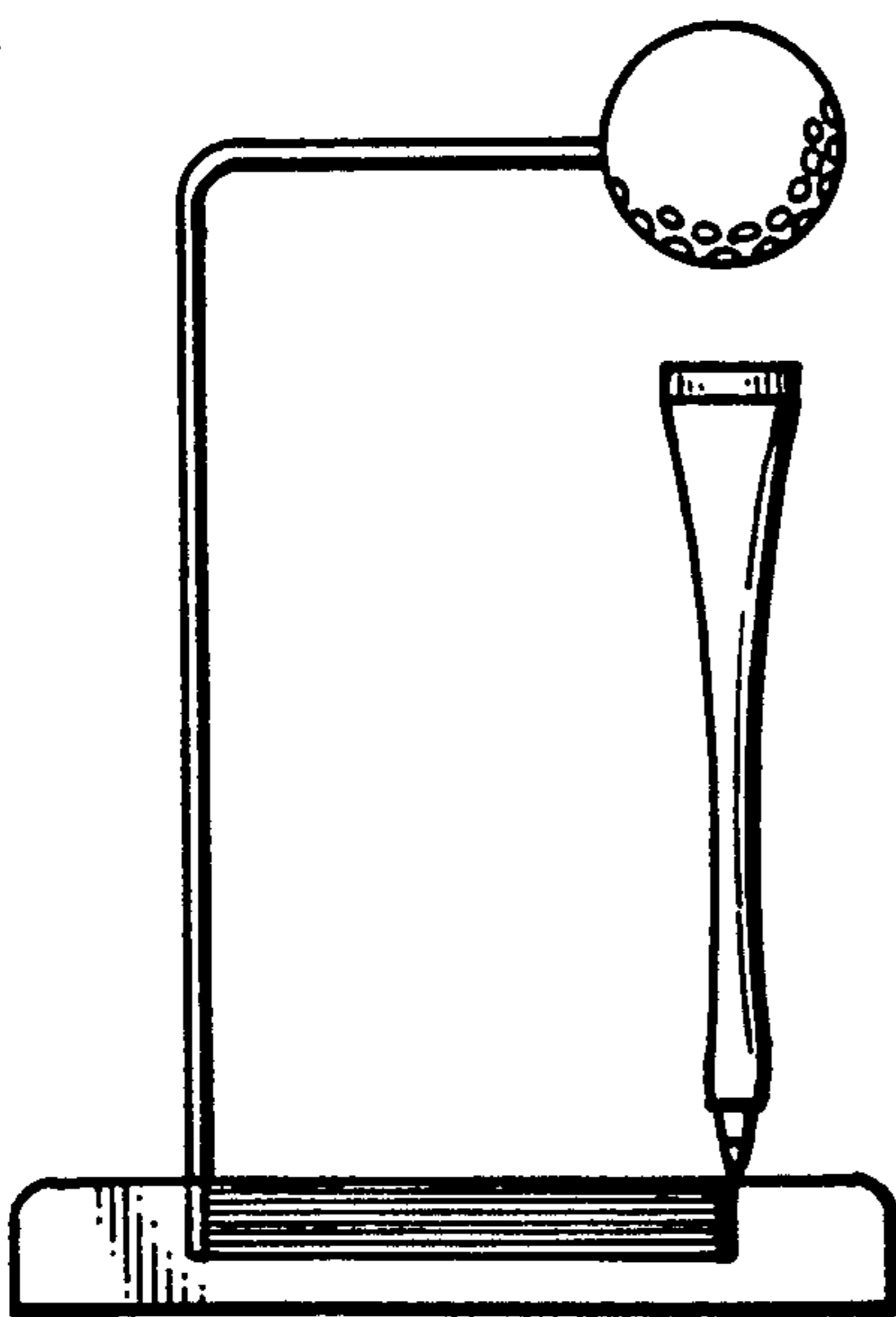


Fig. 2

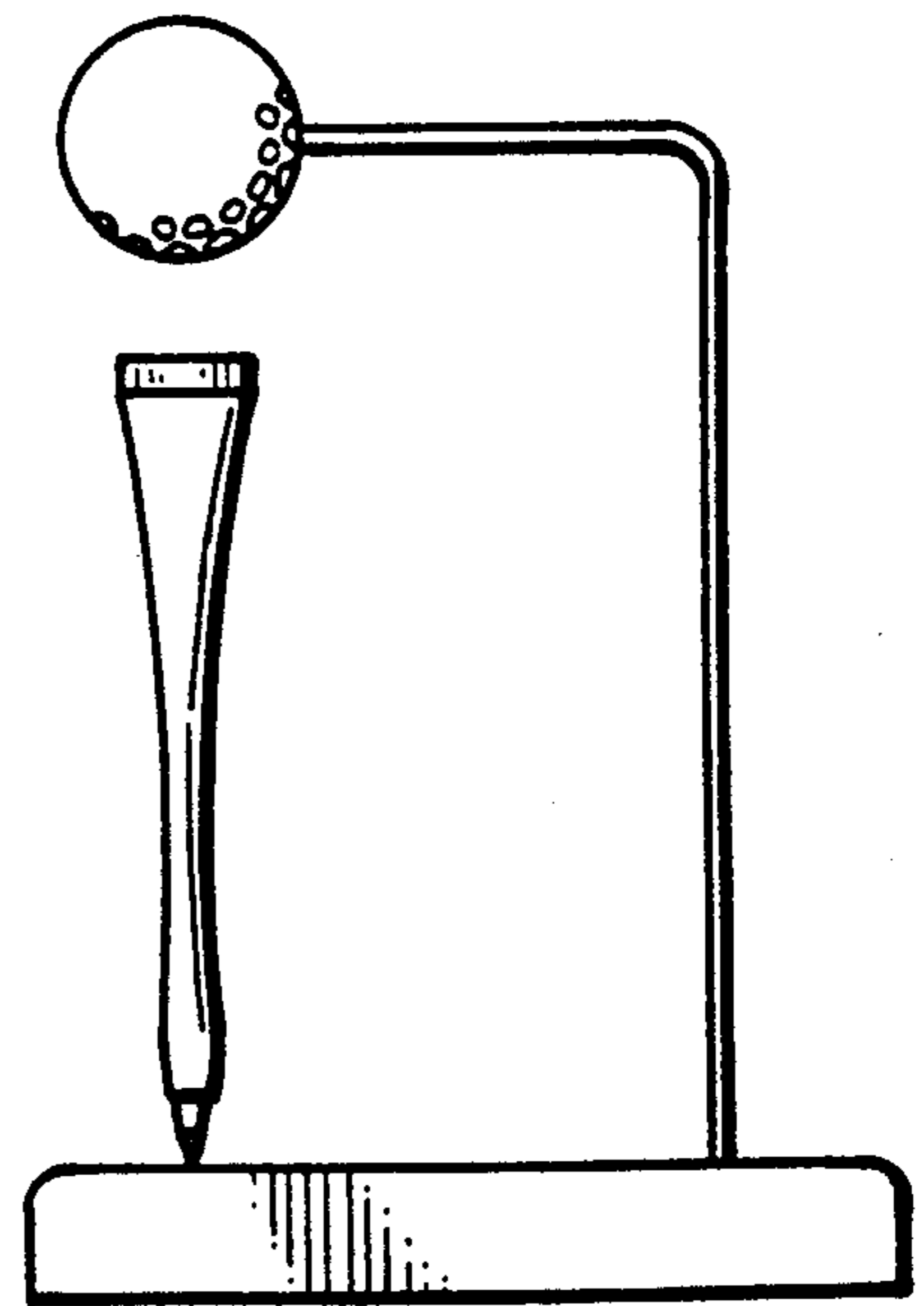


Fig. 3

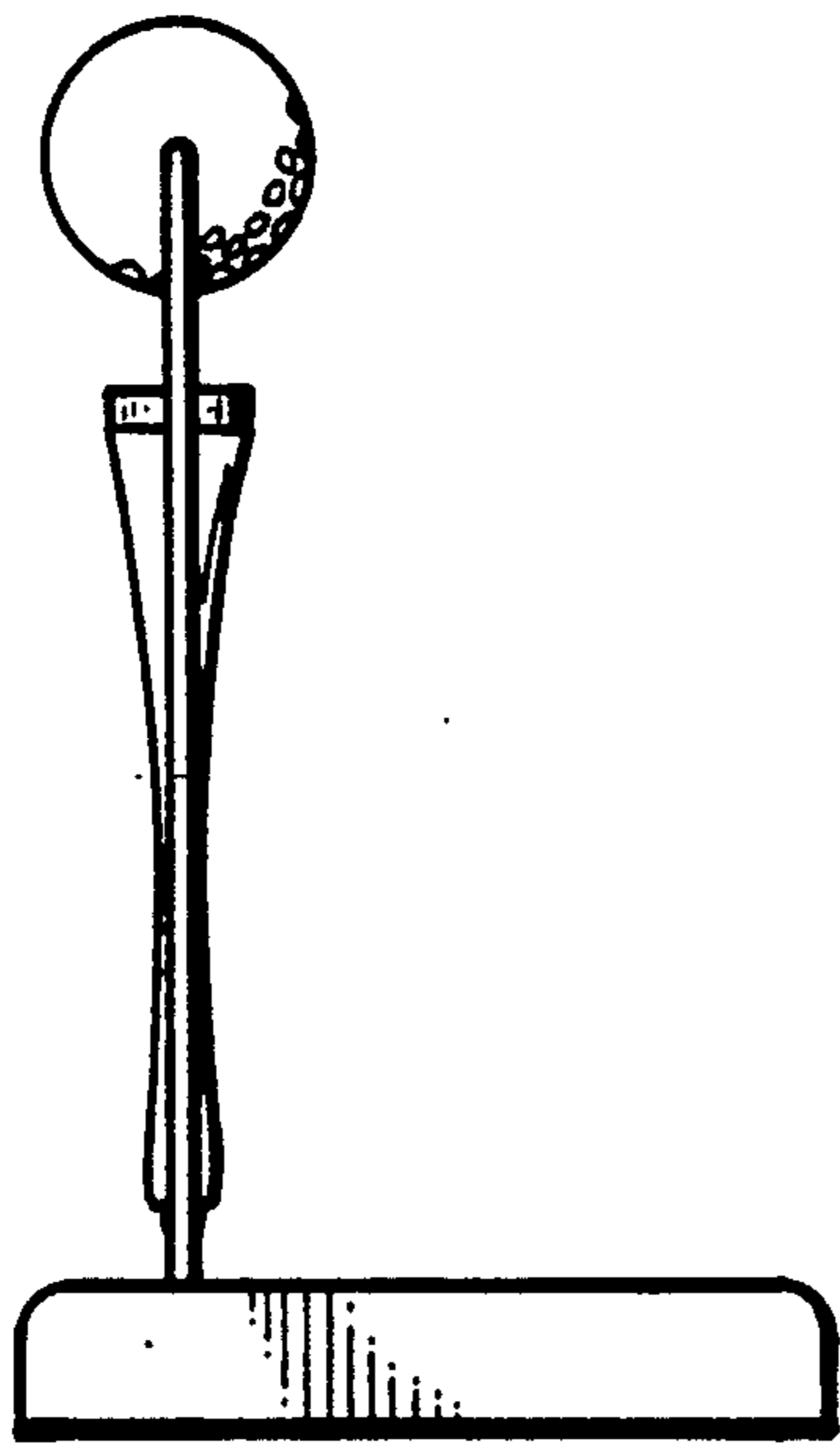


Fig. 4

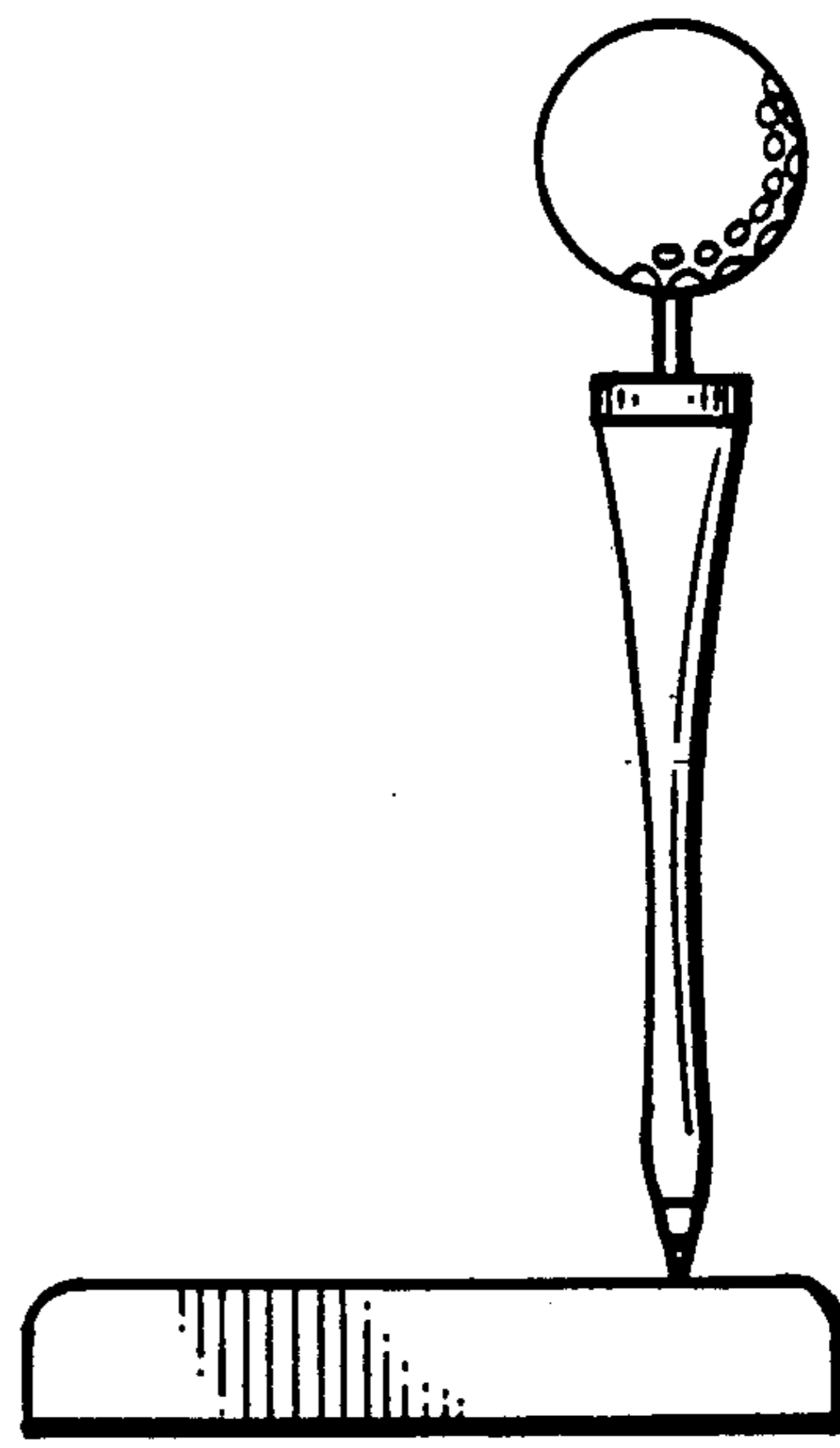


Fig. 5

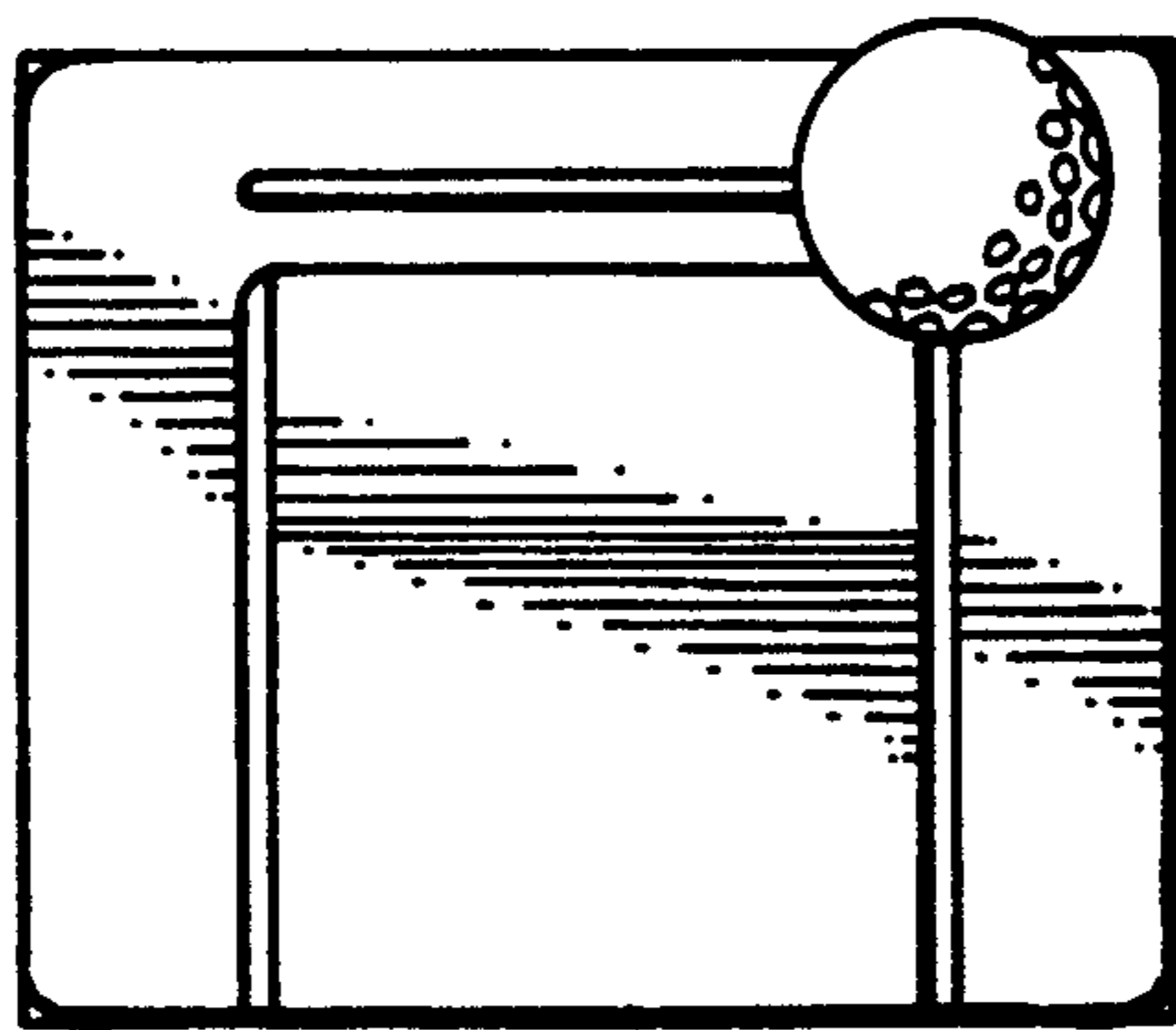


Fig. 6

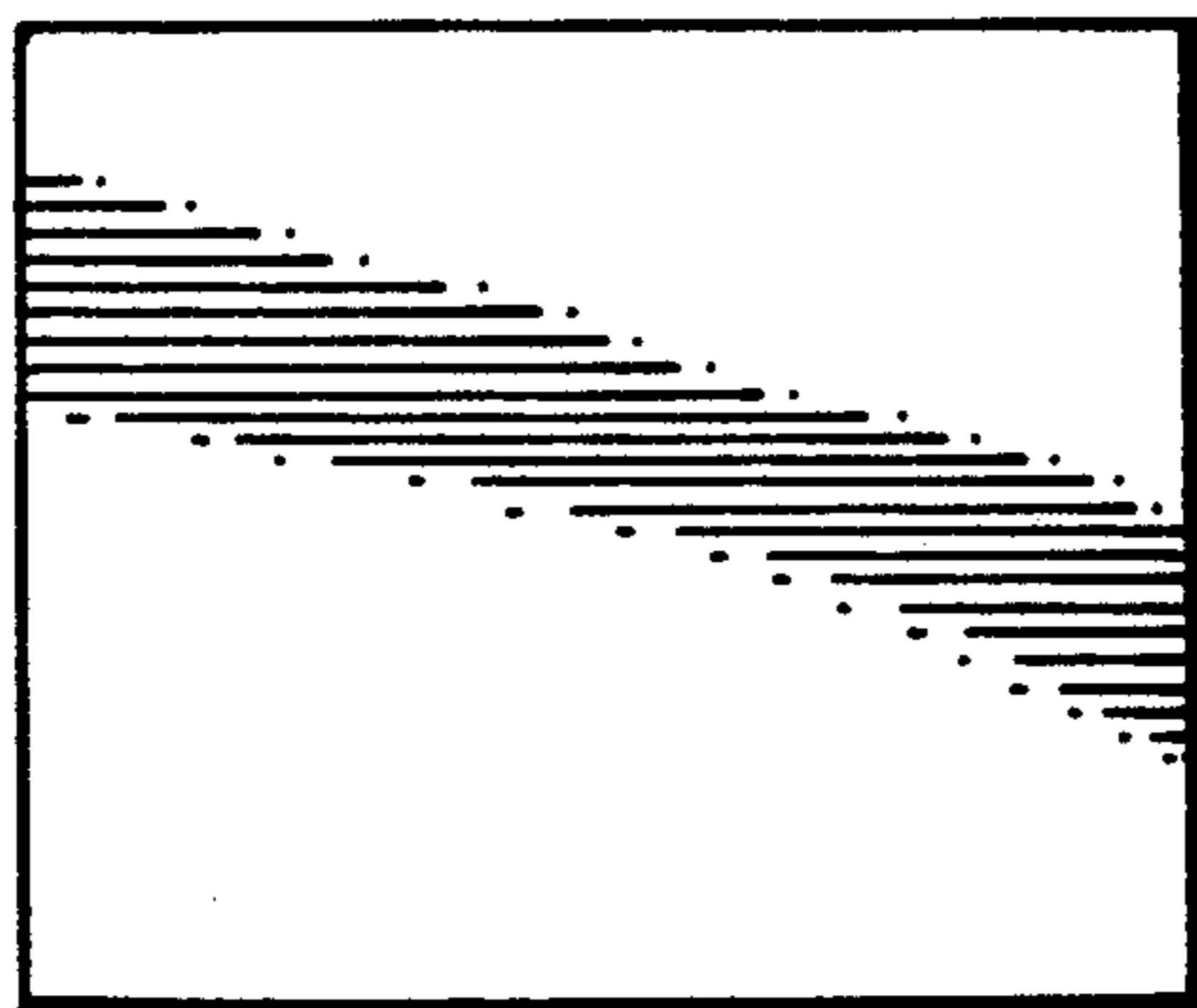


Fig. 7