

[54] LIGHTING CALCULATOR

4,857,898 8/1989 Smith ..... 341/22

[75] Inventor: Raymond J. Kusmer, La Habra, Calif.

OTHER PUBLICATIONS

[73] Assignee: Cooper Industries, Inc., Houston, Tex.

Hong Kong Enterprise; 1/1986 p. 155; #1 SVI-1000 Economizer.

[\*\*] Term: 14 Years

Primary Examiner—Nelson C. Holtje  
Assistant Examiner—Caron D. Veynar  
Attorney, Agent, or Firm—Michael F. Heim; Elliott Cox; Alan Thiele

[21] Appl. No.: 176,813

[22] Filed: Mar. 31, 1988

[52] U.S. Cl. .... D18/7

[57] CLAIM

[58] Field of Search ..... D18/6, 7; D14/100, 106, D14/107; 364/706-710, 734, 737

The ornamental design for a lighting calculator, as shown and described.

[56] References Cited

DESCRIPTION

U.S. PATENT DOCUMENTS

D. 258,895	4/1981	Kobayashi	.....	D18/7
D. 273,303	4/1984	Sakamoto	.....	D18/7
D. 273,502	4/1984	Sakata	.....	D18/7
D. 285,806	9/1986	Satake	.....	D18/7
4,507,745	3/1985	Agrawal	.....	364/709
4,715,011	12/1987	Brittan	.....	364/734
4,744,044	5/1988	Stover et al.	.....	364/737

FIG. 1 is a top, right perspective view of a lighting calculator showing my new design;  
FIG. 2 is a top plan view thereof;  
FIG. 3 is a rear elevational view thereof;  
FIG. 4 is a left side elevational view thereof;  
FIG. 5 is a right side elevational view thereof;  
FIG. 6 is a rear elevational view thereof;  
FIG. 7 is a front elevational view thereof.

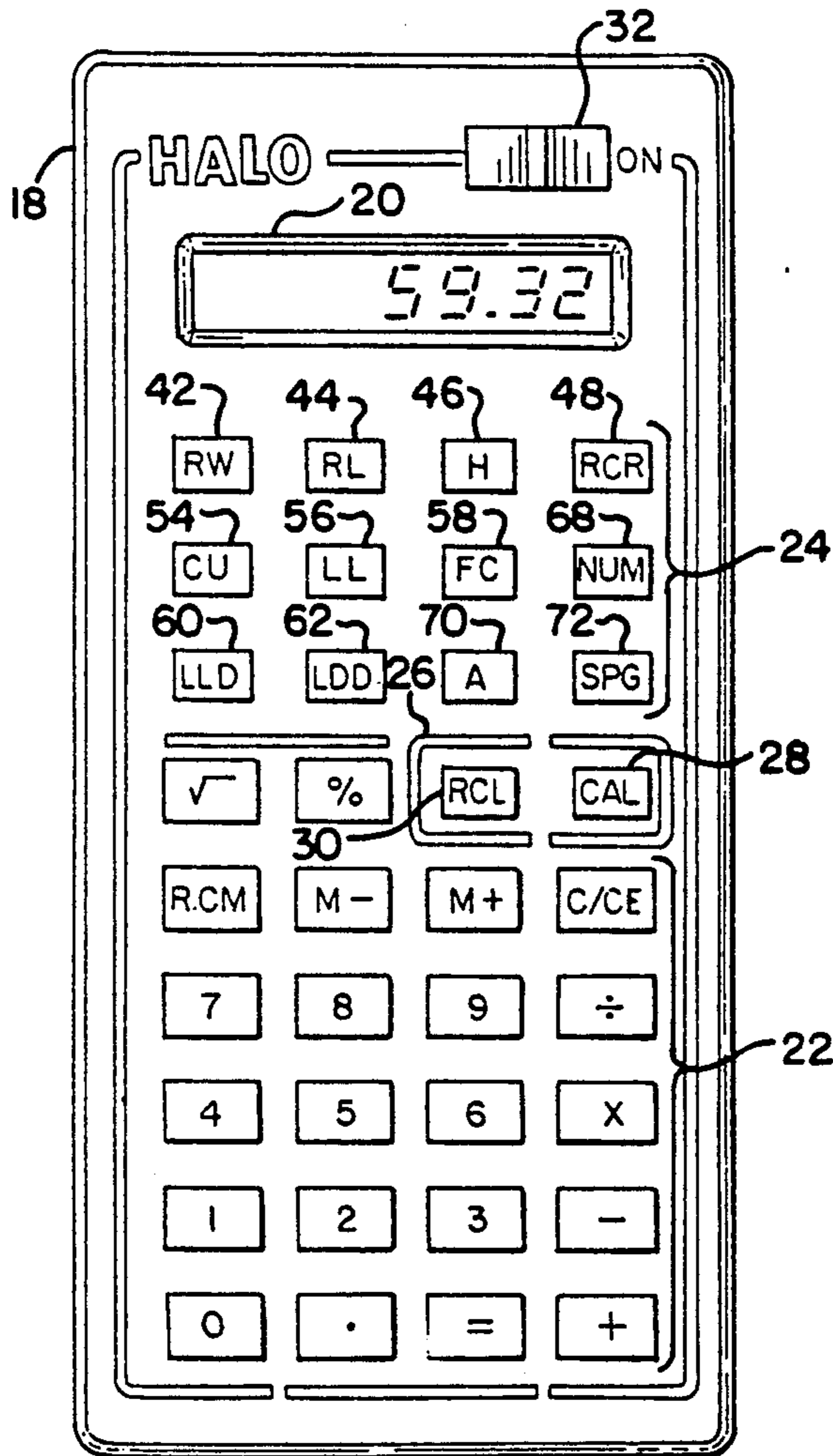


FIG. 1

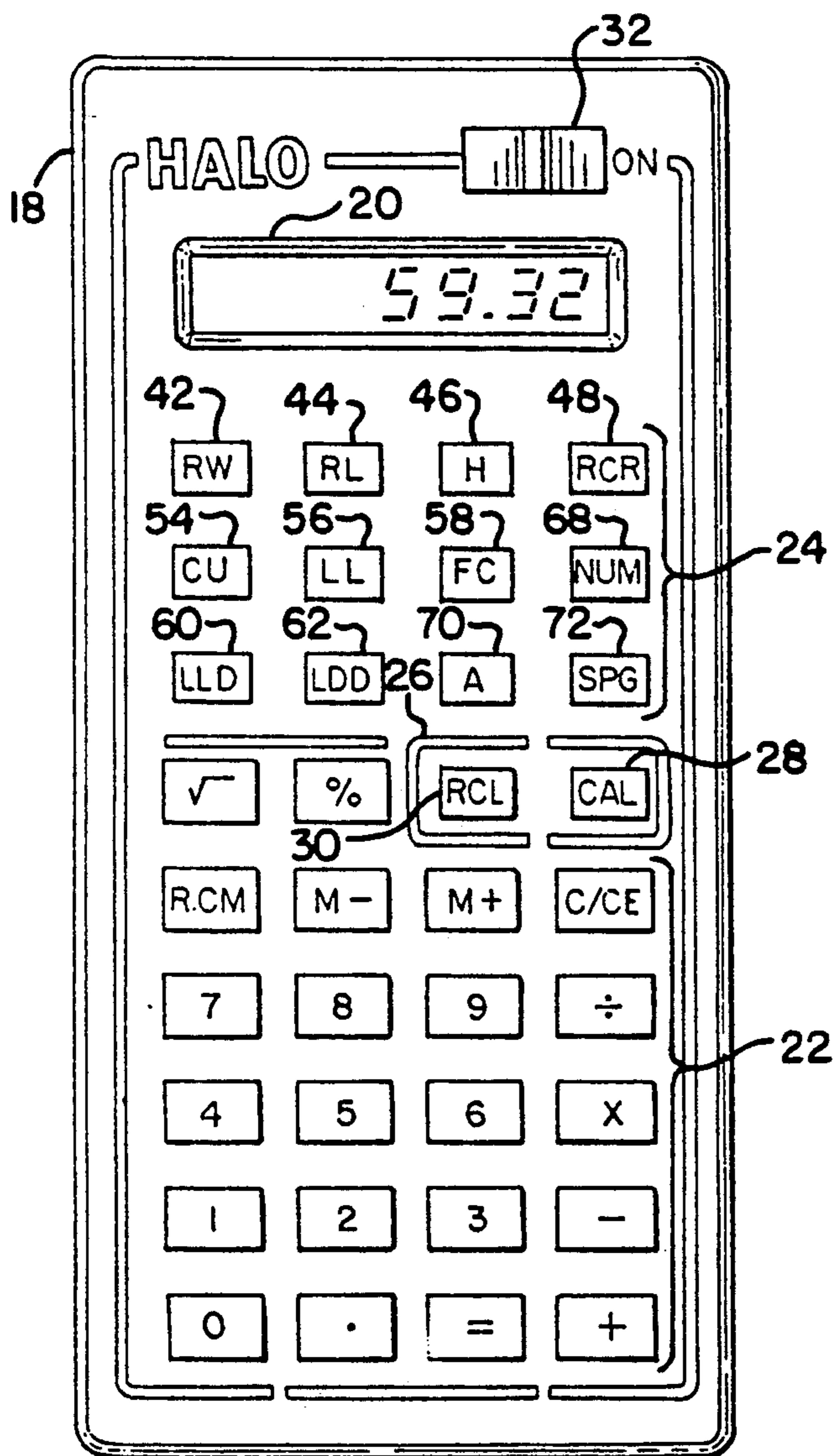


FIG. 2

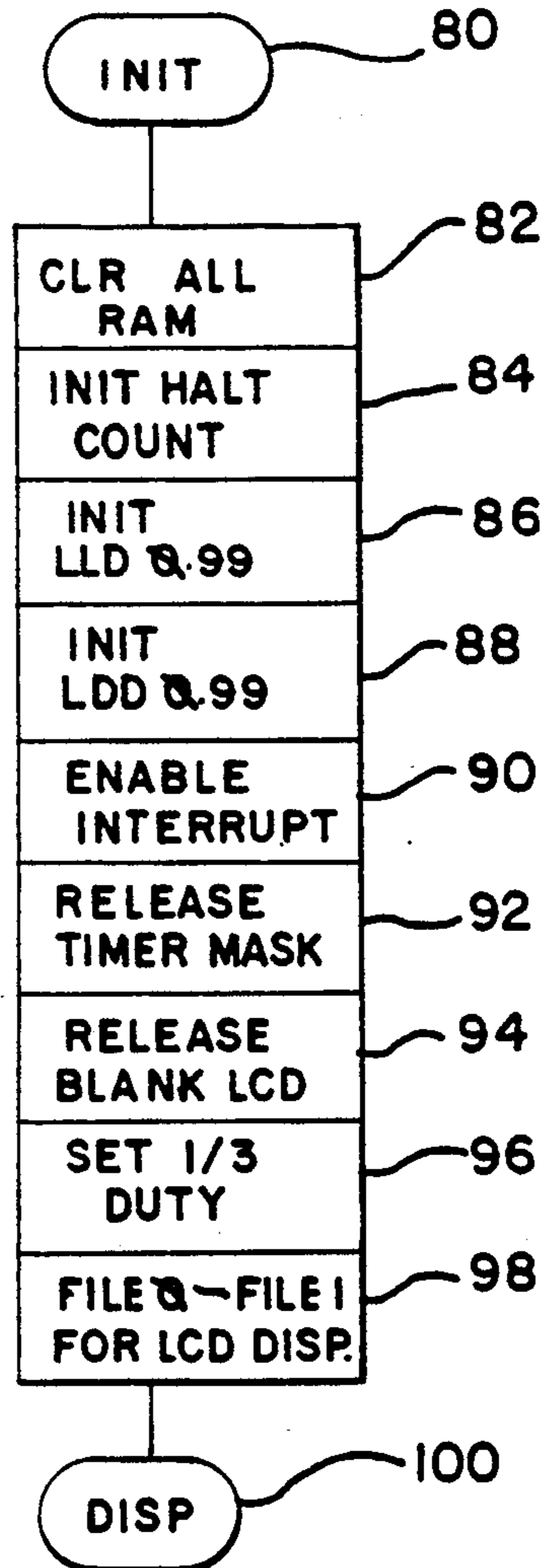


FIG. 3

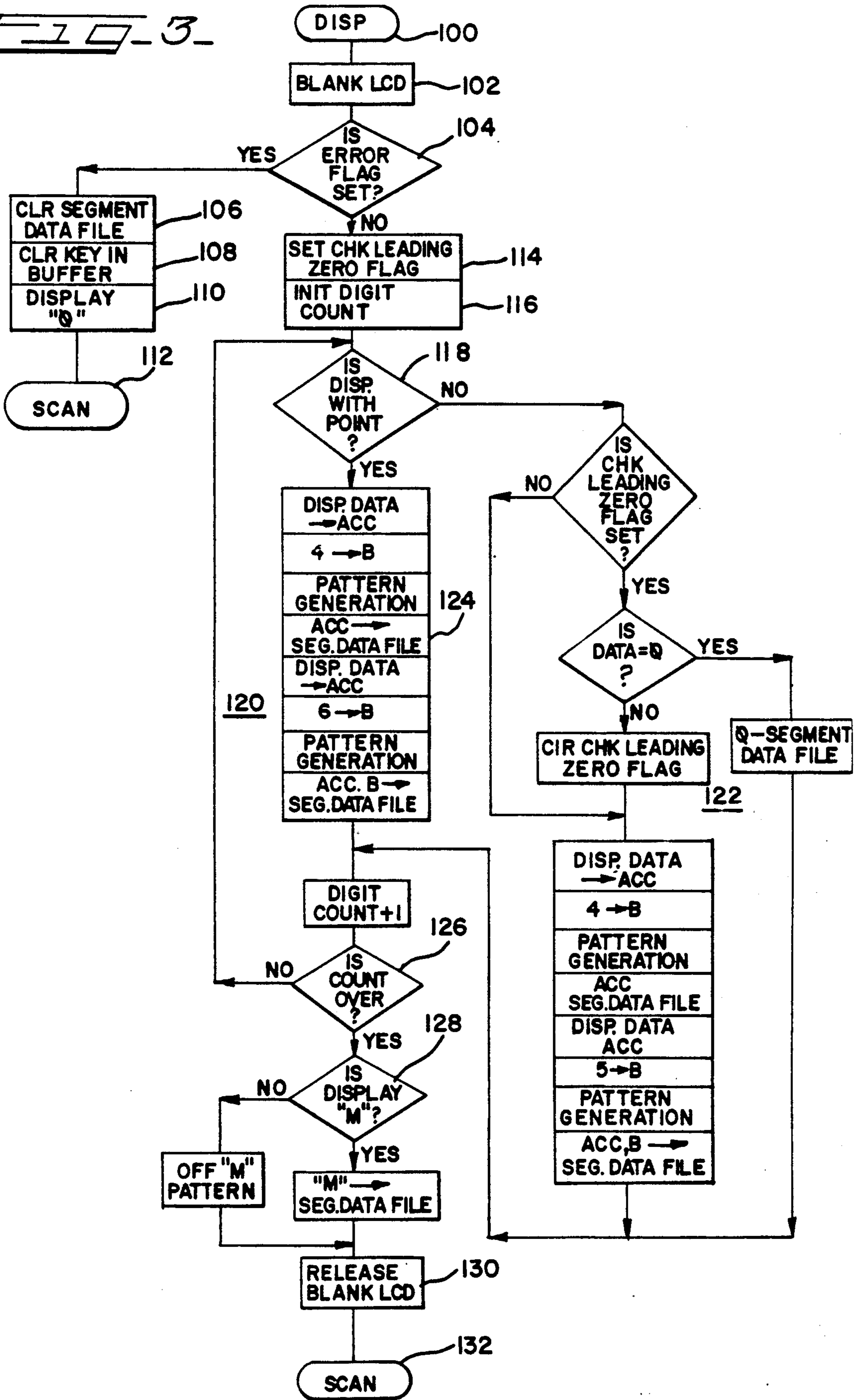


FIG. 4

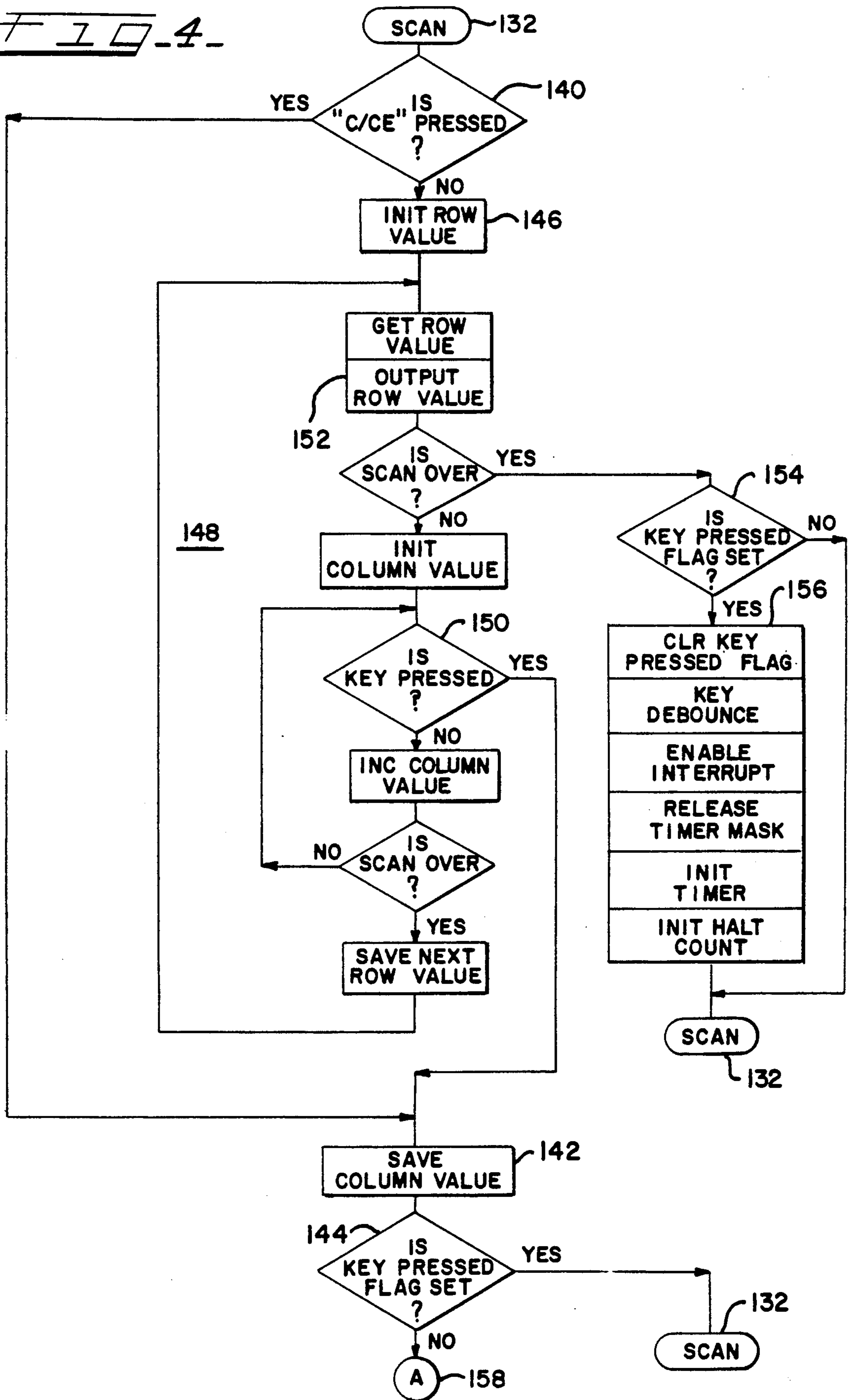


FIG-6-

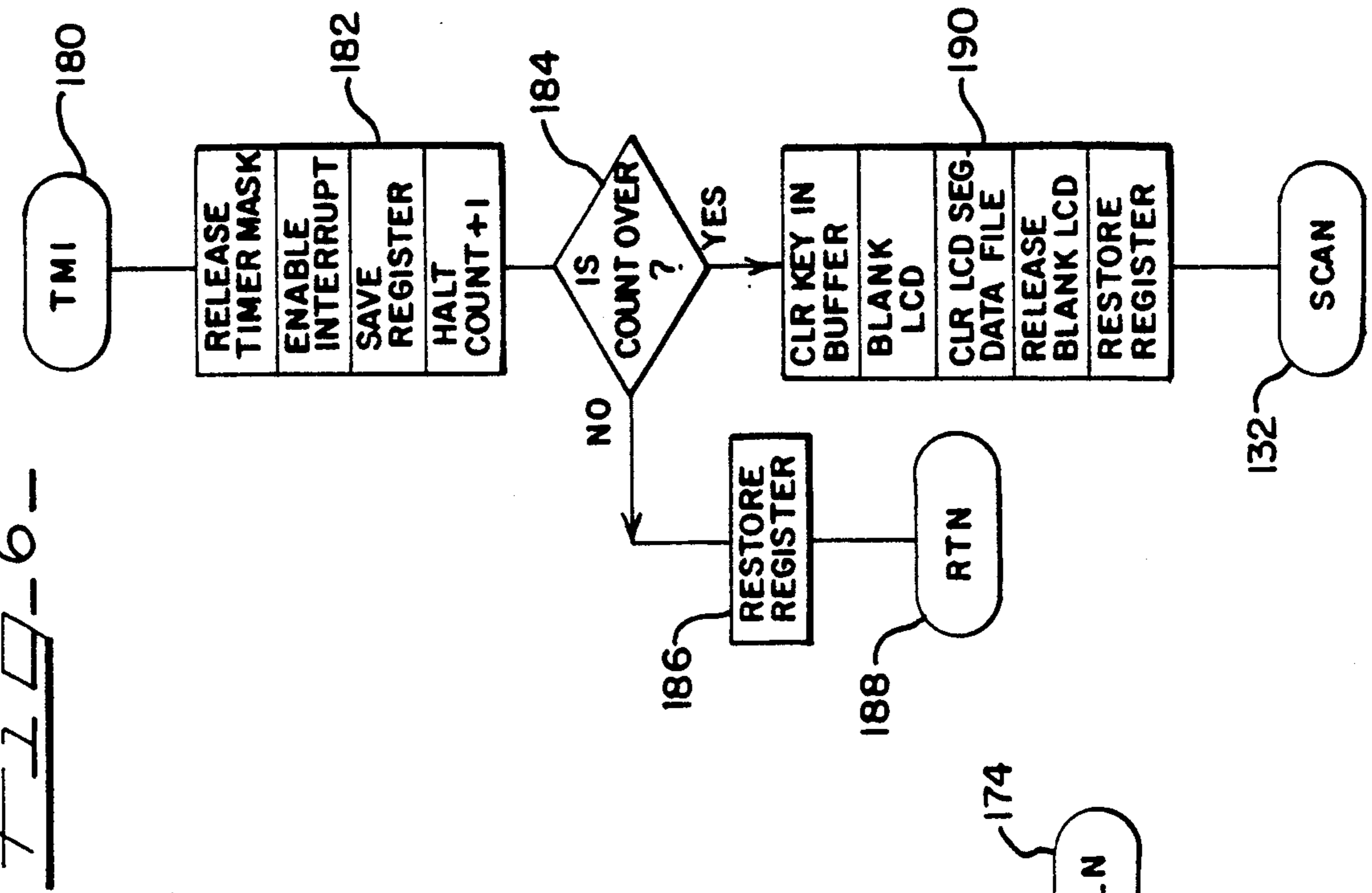


FIG-5-

