

[54] SPEAKER STAND

[76] Inventor: Kenneth A. Poe, 4956 Champlain, San Antonio, Tex. 78217

[**] Term: 14 Years

[21] Appl. No.: 269,166

[22] Filed: Nov. 10, 1988

[52] U.S. Cl. D14/224; D6/462

[58] Field of Search D14/124, 204-216, D14/217, 219-224, 299; 181/144, 148, 150, 157, 199; D6/462-463, 477, 479, 449

[56] References Cited

U.S. PATENT DOCUMENTS

- D. 247,034 1/1978 Brodmann D14/224
- D. 260,461 9/1981 Cohen et al. D14/224
- D. 304,270 10/1989 Goldman D6/462

OTHER PUBLICATIONS

High Fidelity, Jun. 1987, p. 16, bottom right-Adjustable Speaker Stands.

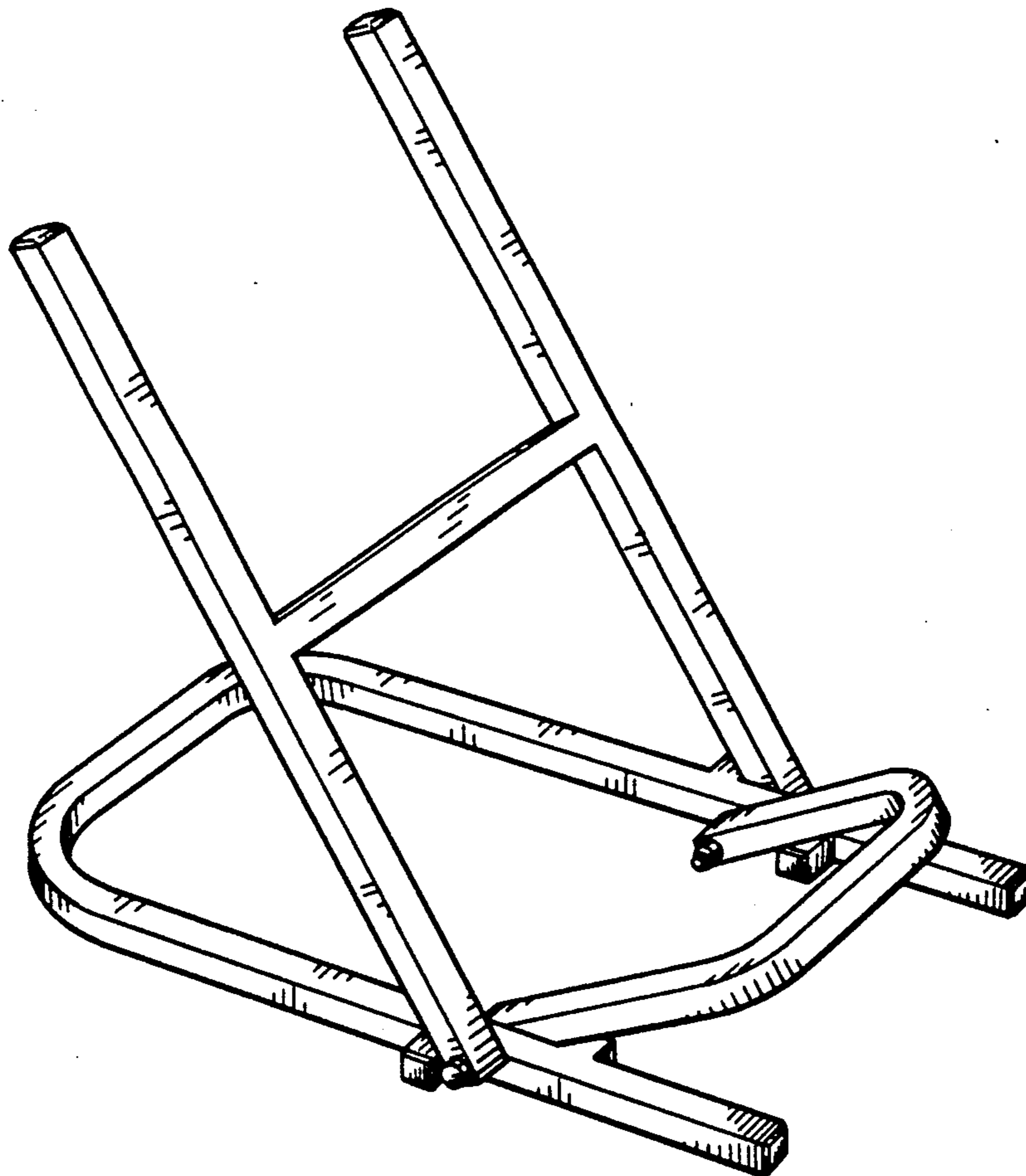
Primary Examiner—Theodore M. Shooman
Attorney, Agent, or Firm—John C. Stahl

[57] CLAIM

The ornamental design for a speaker stand, as shown and described.

DESCRIPTION

FIG. 1 is a top, front and right side perspective view of a speaker stand showing my new design;
 FIG. 2 is a top plan view thereof, in a folded position, the bottom being a mirror image;
 FIG. 3 is a front elevational view thereof, in a folded position, the rear being a mirror image;
 FIG. 4 is a left side elevational view thereof, in a folded position; and
 FIG. 5 is a right side elevational view thereof, in a folded position.



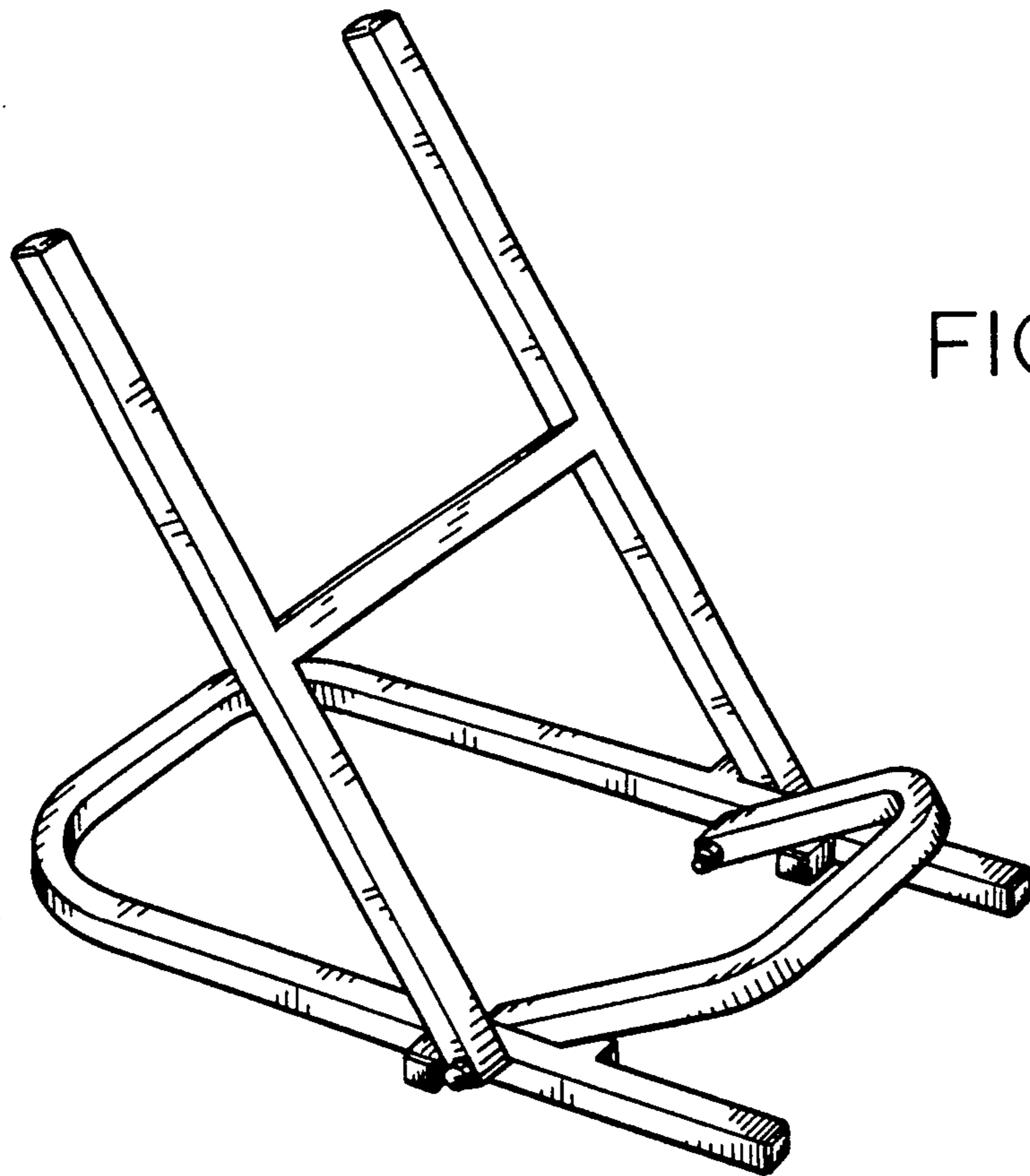


FIG. 1

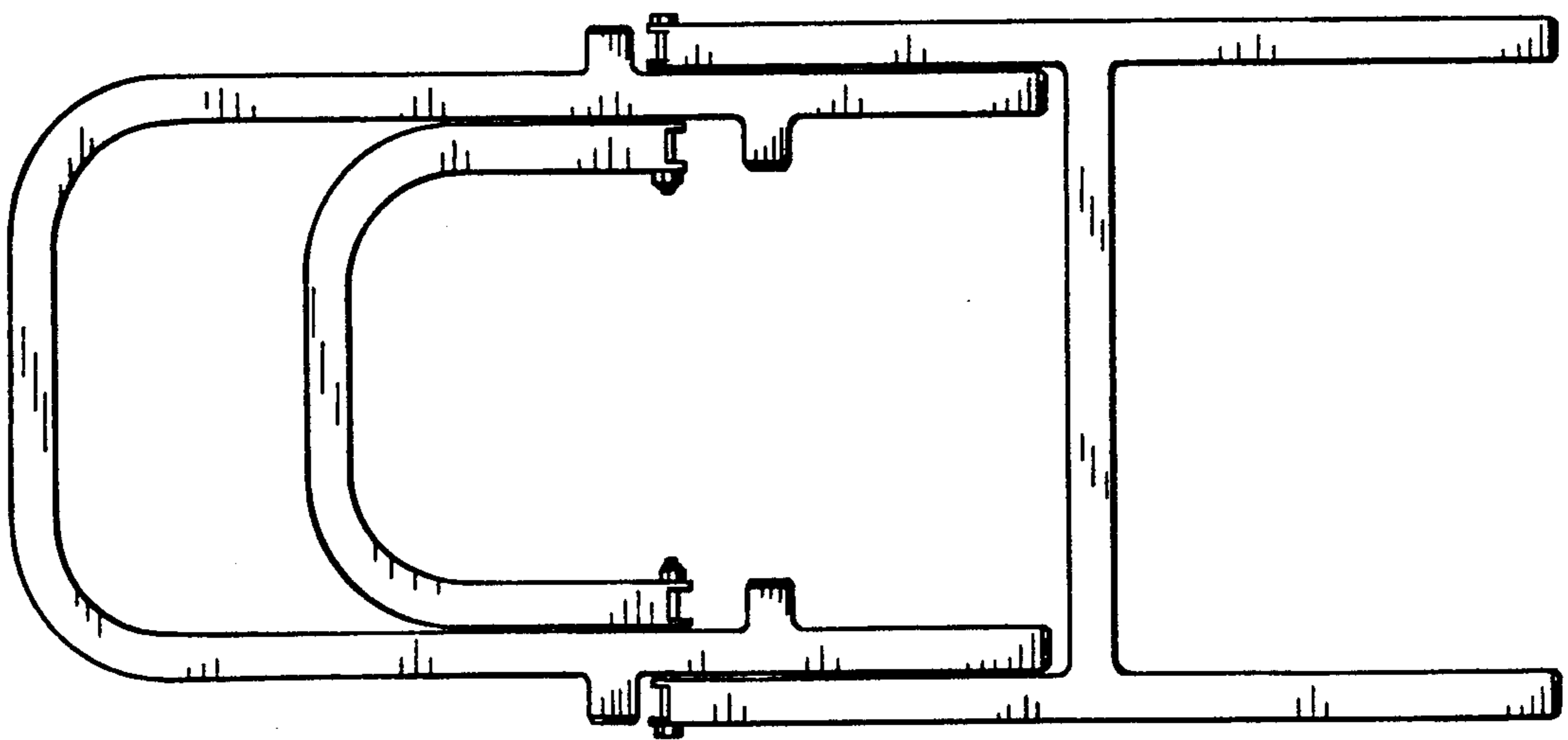


FIG. 2



FIG. 3



FIG. 4



FIG. 5