

[54] TRANSMITTER FOR WIRELESS SWITCH

[75] Inventor: Michael J. Rowen, Center Valley, Pa.

[73] Assignee: Lutron Electronics Co., Inc.,
Coopersburg, Pa.

[*] Notice: The portion of the term of this patent
subsequent to Sep. 26, 2003 has been
disclaimed.

[**] Term: 14 Years

[21] Appl. No.: 249,463

[22] Filed: Sep. 26, 1988

[52] U.S. Cl. D13/168; 213/170

[58] Field of Search D13/32, 40, 41, 99,
D13/25, 4, 12; D10/46, 106; D14/218; 455/95,
603; 250/221

[56] References Cited

U.S. PATENT DOCUMENTS

- D. 257,765 1/1981 Schachter D10/46
- D. 285,542 9/1986 Tanaka et al. D10/106
- D. 291,888 9/1987 Fong et al. D10/106 X
- D. 299,922 2/1989 Schremmer D14/218

OTHER PUBLICATIONS

Transmitter on p. 321, of Hong Kong Enterprises,
11-84.

Transmitter on p. 329, of Hong Kong Enterprises, 1-85.
Lutron Electronics Co.-Grafik Eye Preset Dimming
Control Brochure, P/N 360-210.

Primary Examiner—Susan J. Lucas

Assistant Examiner—Joel Sincavage

Attorney, Agent, or Firm—Seidel, Gonda, Lavorgna &
Monaco

[57] CLAIM

The ornamental design for a transmitter for wireless
switch, as shown and described.

DESCRIPTION

FIG. 1 is an isometric illustration of a transmitter for
wireless switch showing my new design.

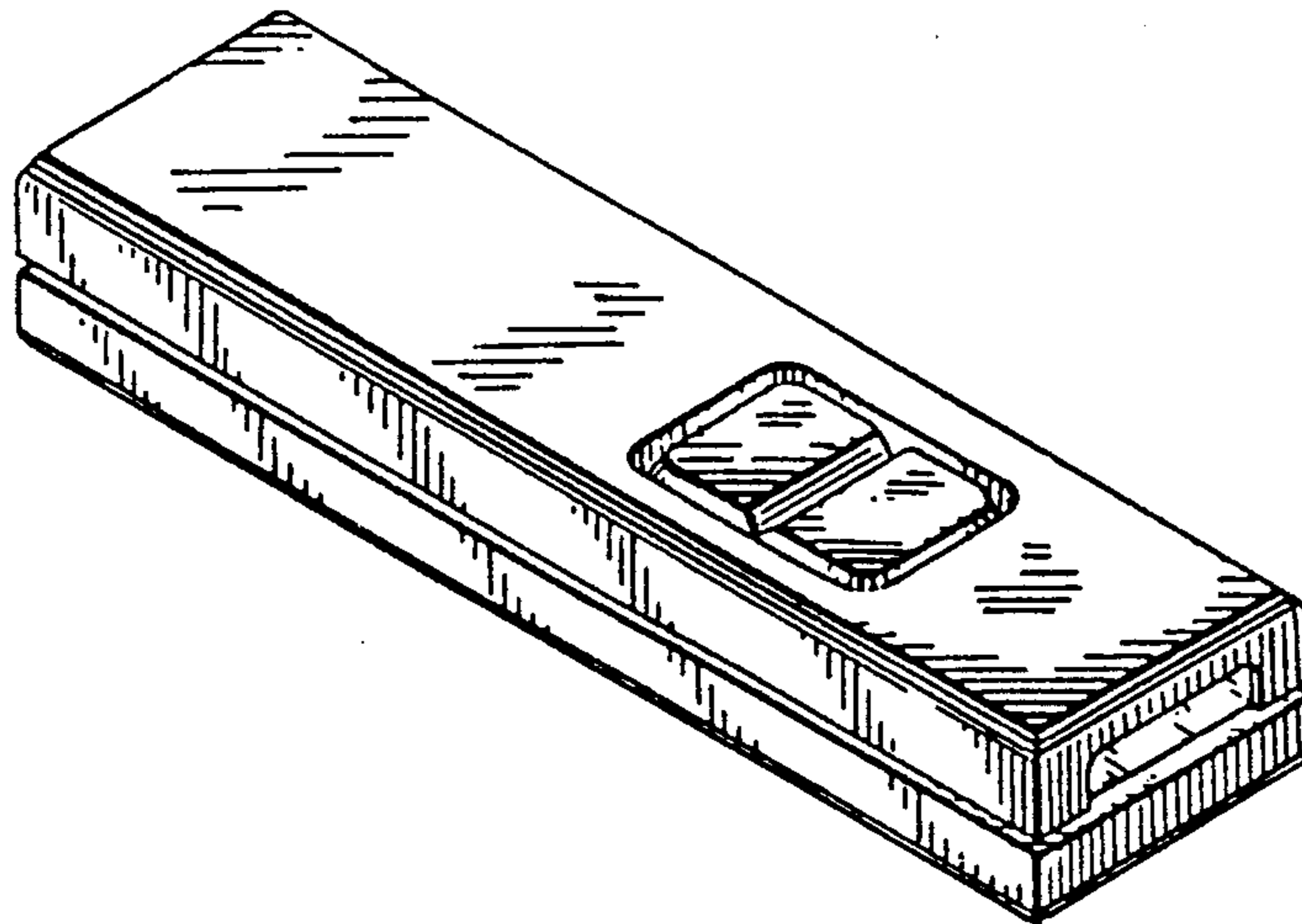
FIG. 2 is a top plan view thereof.

FIG. 3 is a front elevational view thereof.

FIG. 4 is a bottom plan view thereof.

FIG. 5 is a left end elevational view thereof.

FIG. 6 is a right end elevational view thereof.



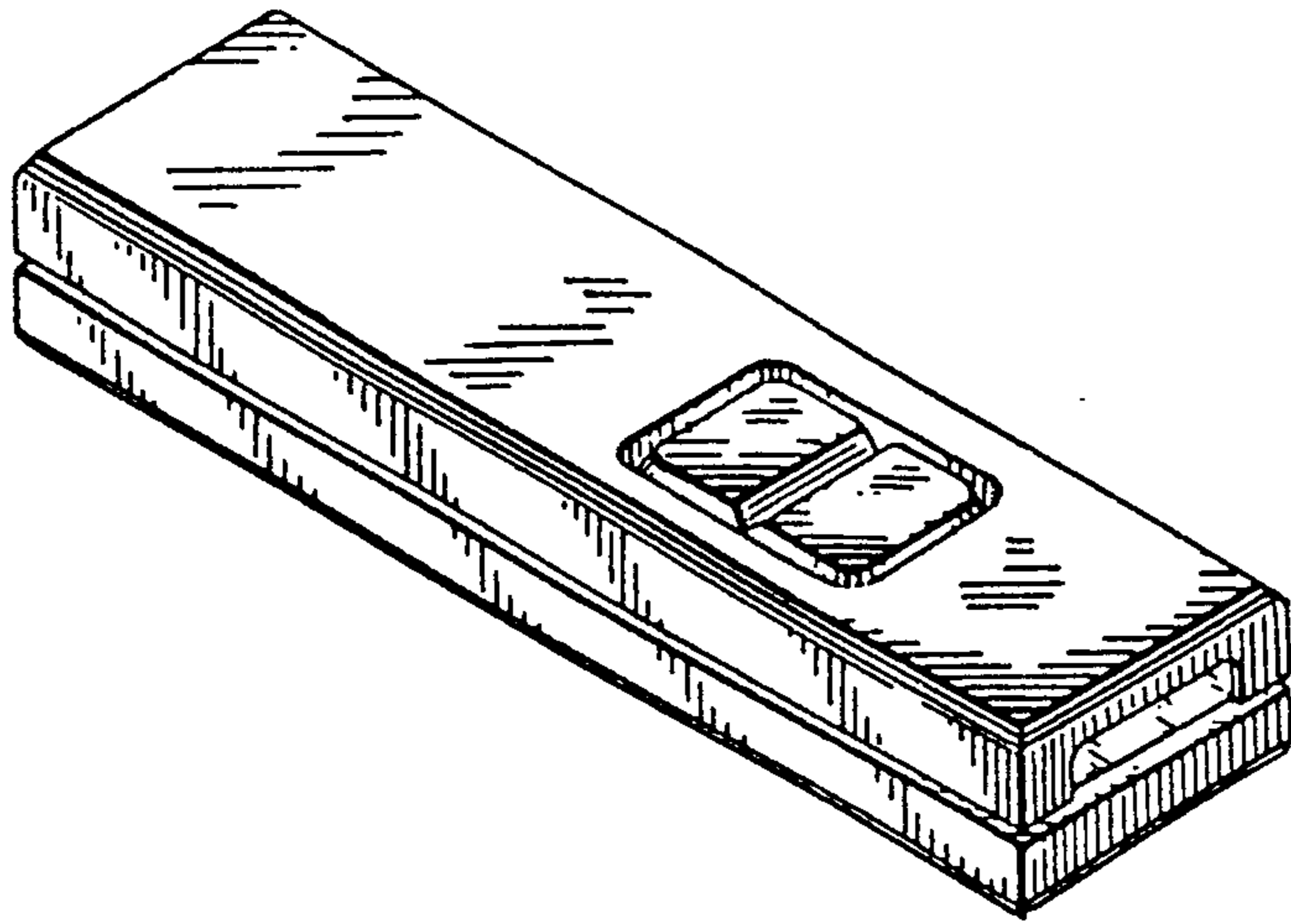


FIG. 1

FIG. 2

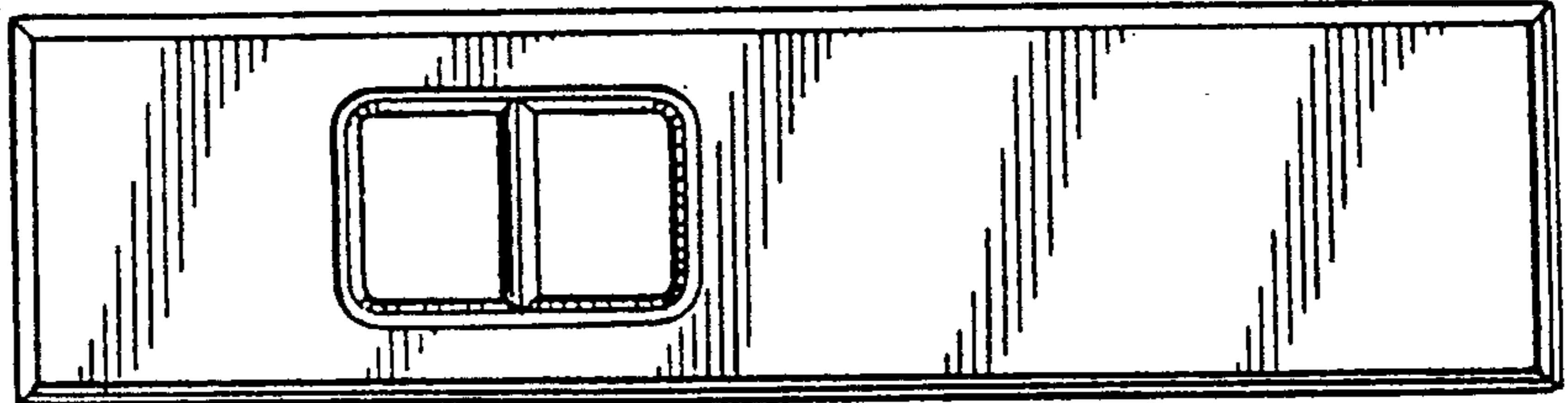


FIG. 3

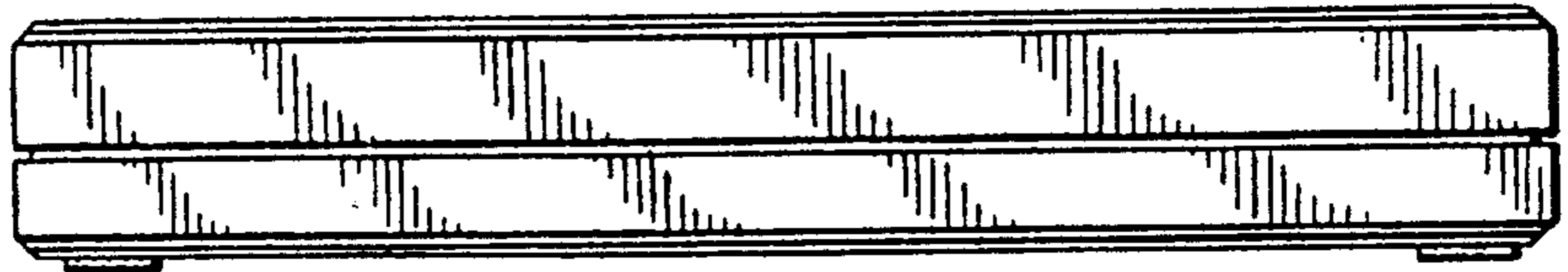


FIG. 4

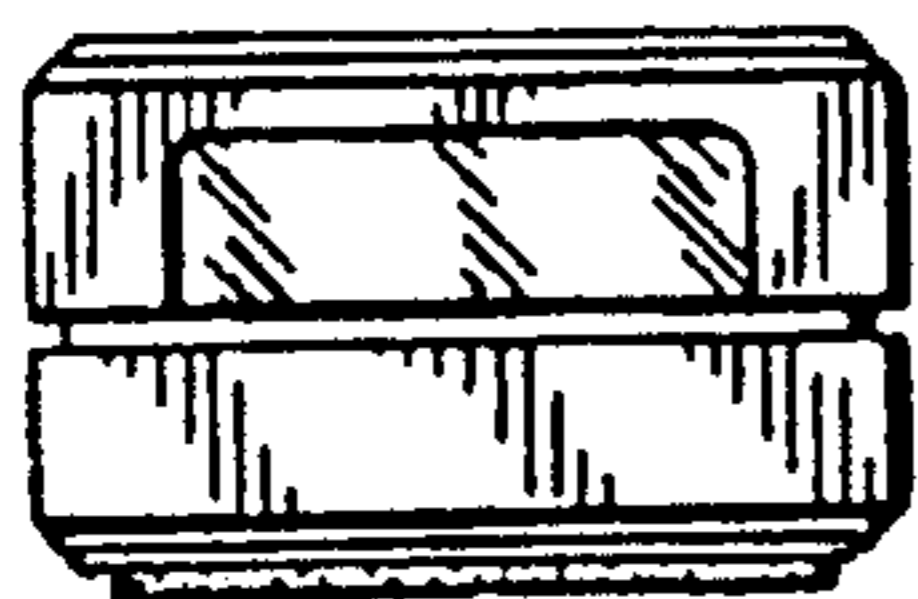
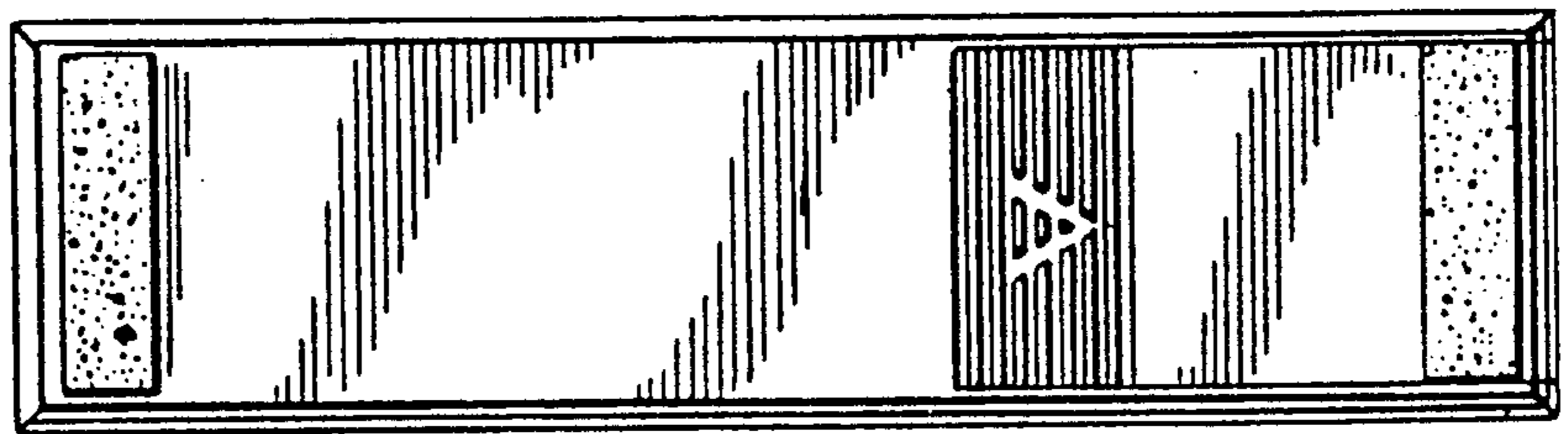


FIG. 5

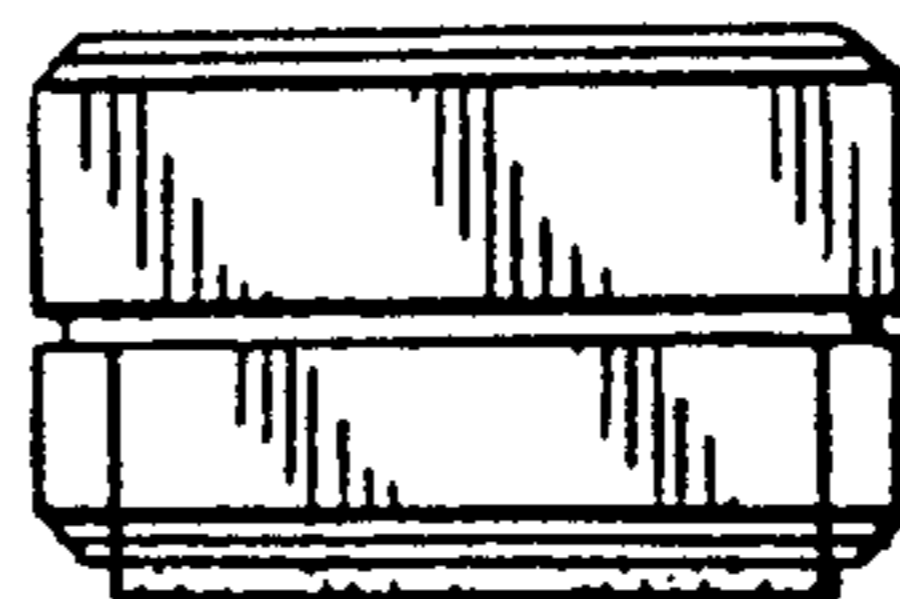


FIG. 6