

[54] ELECTRICAL CONNECTOR PLUG

4,941,849 7/1990 Fujiura 439/357 X

[75] Inventor: Shuichi Matsuzaki, Tokyo, Japan

[73] Assignee: Hirose Electric Co., Ltd., Tokyo, Japan

[**] Term: 14 Years

[21] Appl. No.: 237,006

[22] Filed: Aug. 26, 1988

[30] Foreign Application Priority Data

Mar. 7, 1988 [JP] Japan 63-9203

[52] U.S. Cl. D13/147

[58] Field of Search D13/133, 146, 147; 439/353, 344, 357, 544, 550, 571, 572, 586, 587, 595, 603, 660, 682, 685, 686, 687, 695, 696, 701

[56] References Cited

U.S. PATENT DOCUMENTS

- D. 227,990 7/1973 Brisner et al. D13/133
- D. 297,530 9/1988 Cooper D13/147
- D. 298,030 10/1988 Kikuta D13/147

OTHER PUBLICATIONS

Connector Plugs, on p. 22 of 9-86, *Image Catalog*.

Primary Examiner—Susan J. Lucas

Assistant Examiner—J. Sincavage

Attorney, Agent, or Firm—Kanesaka & Takeuchi

[57] CLAIM

The ornamental design for an electrical connector plug, as shown and described.

DESCRIPTION

FIG. 1 is a front elevational view of an electrical connector plug showing my new design;

FIG. 2 is a top plan view thereof;

FIG. 3 is a rear elevational view thereof;

FIG. 4 is a cross-sectional view thereof taken along line 4-4 of FIG. 2;

FIG. 5 is a right side elevational view thereof, the left side elevational view being a mirror image;

FIG. 6 is a bottom plan view thereof; and

FIG. 7 is a perspective view thereof as seen from the front and upper right.

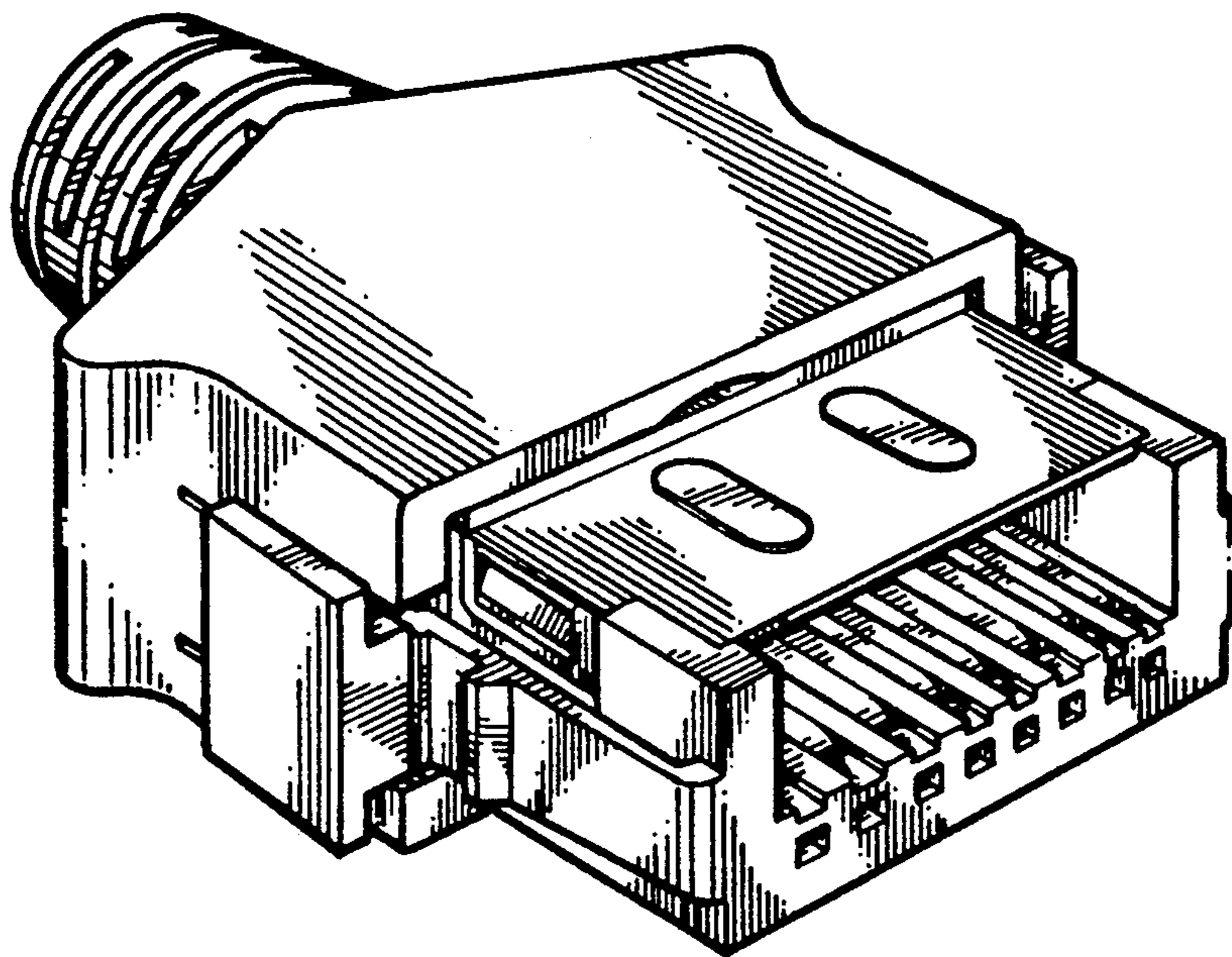


FIG. 1

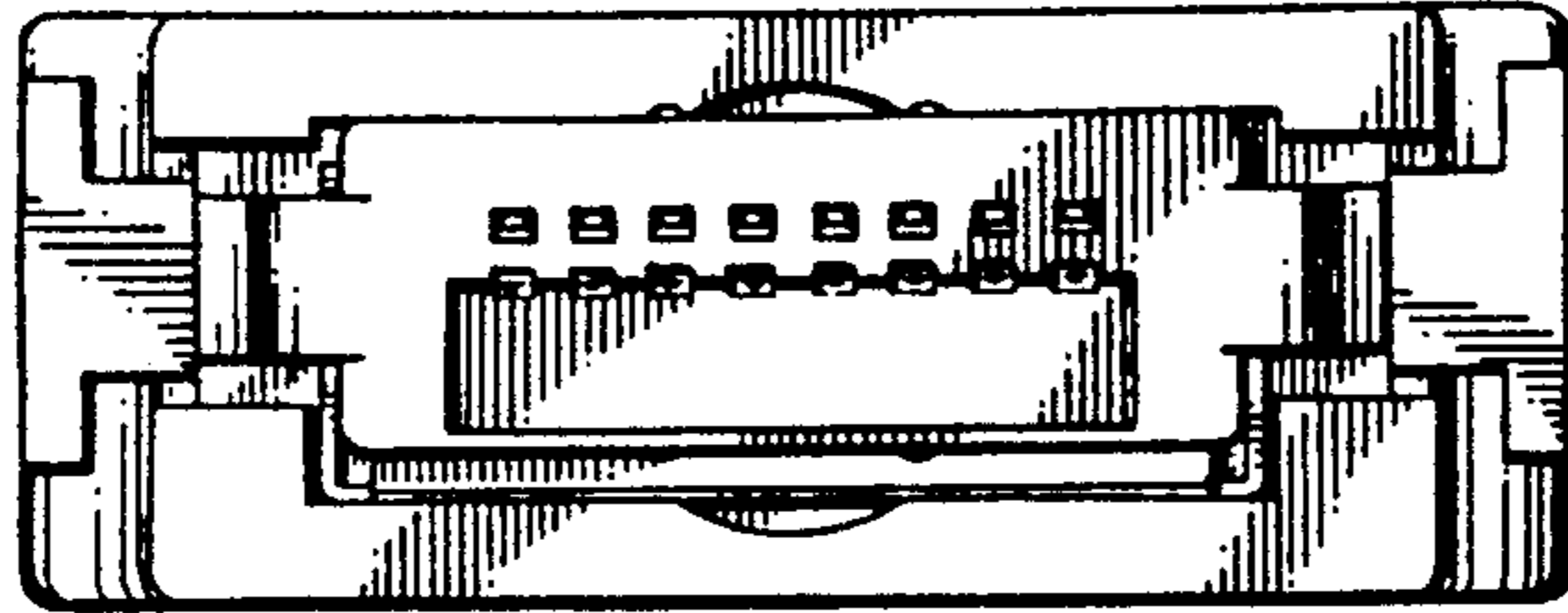


FIG. 4

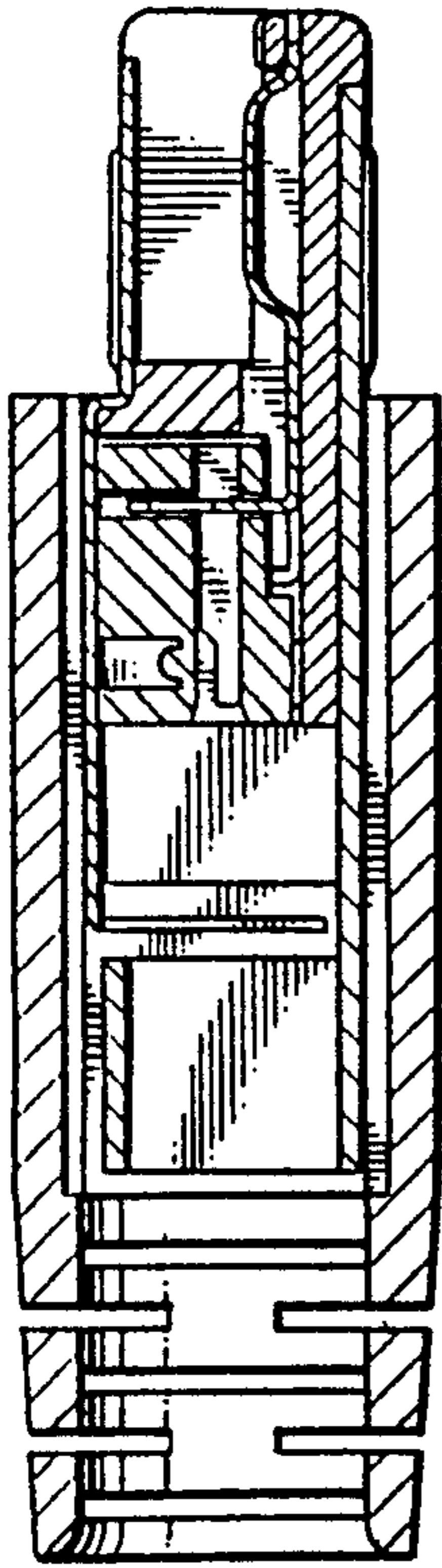
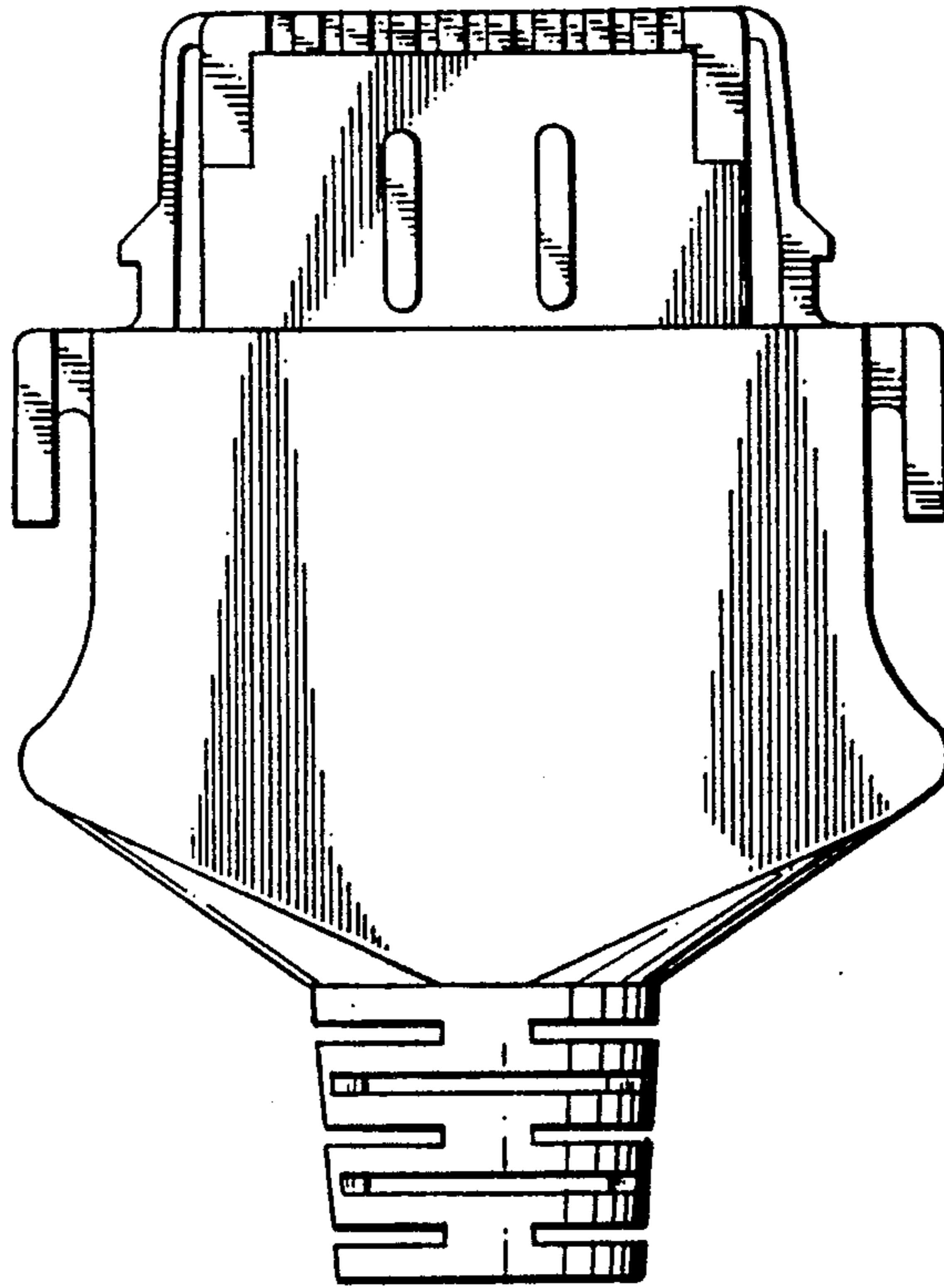


FIG. 2

4



4

FIG. 3

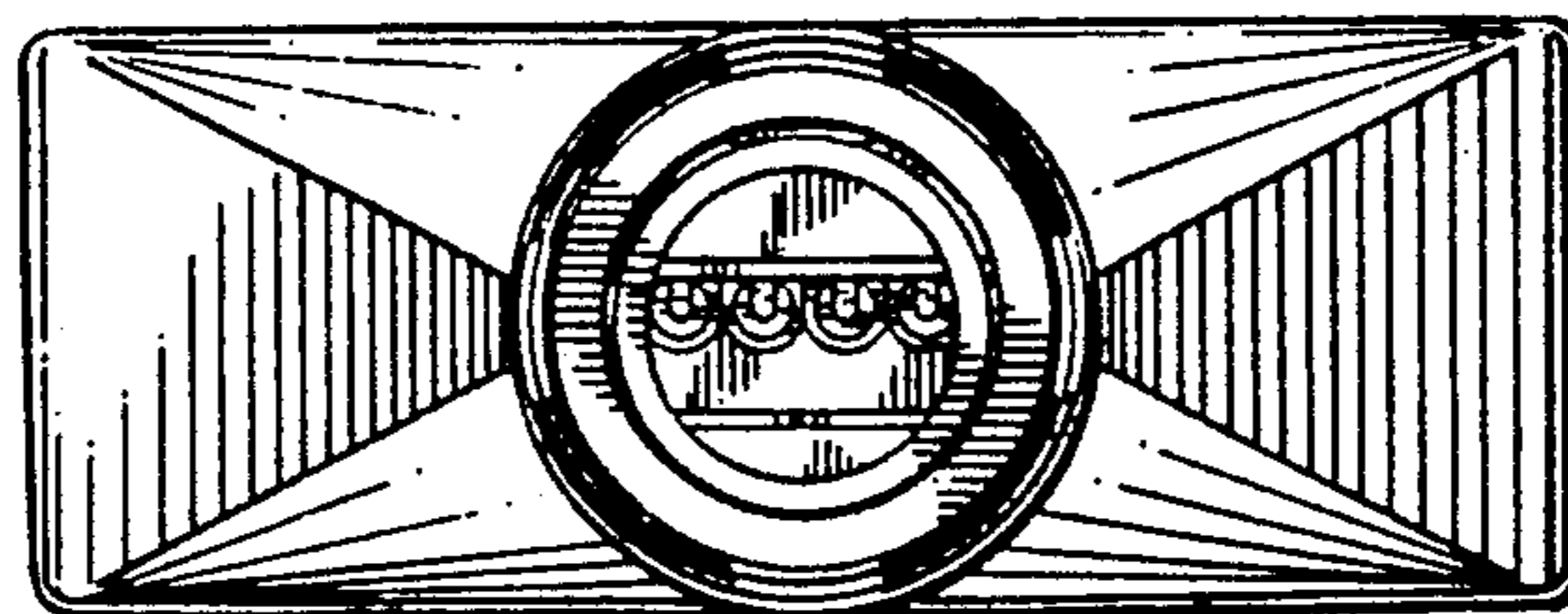


FIG. 5

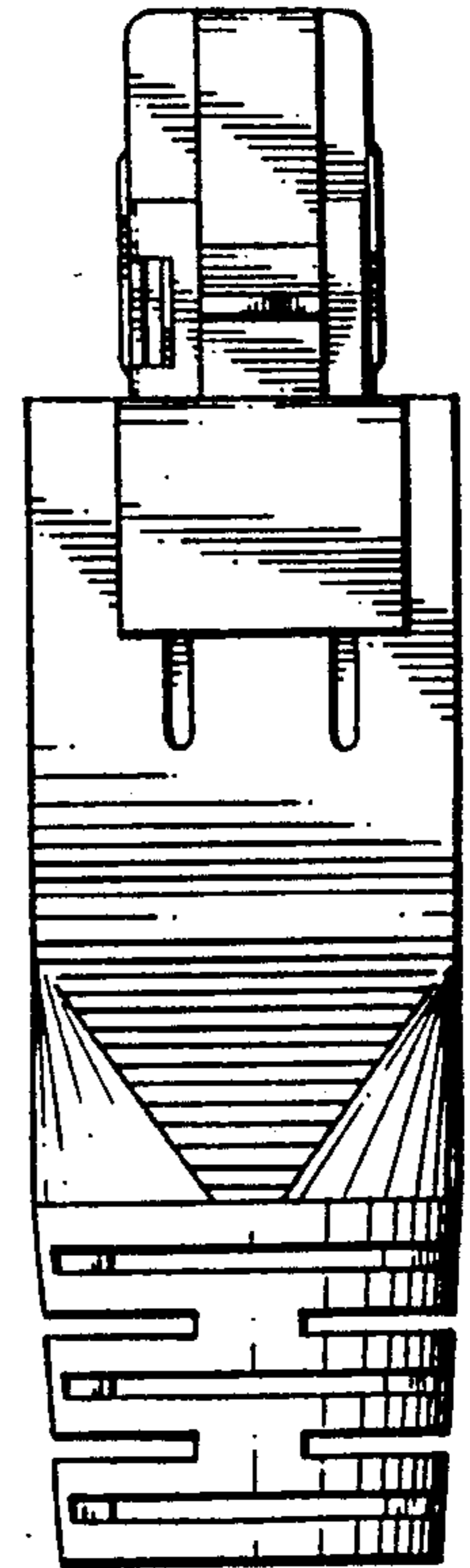


FIG. 6

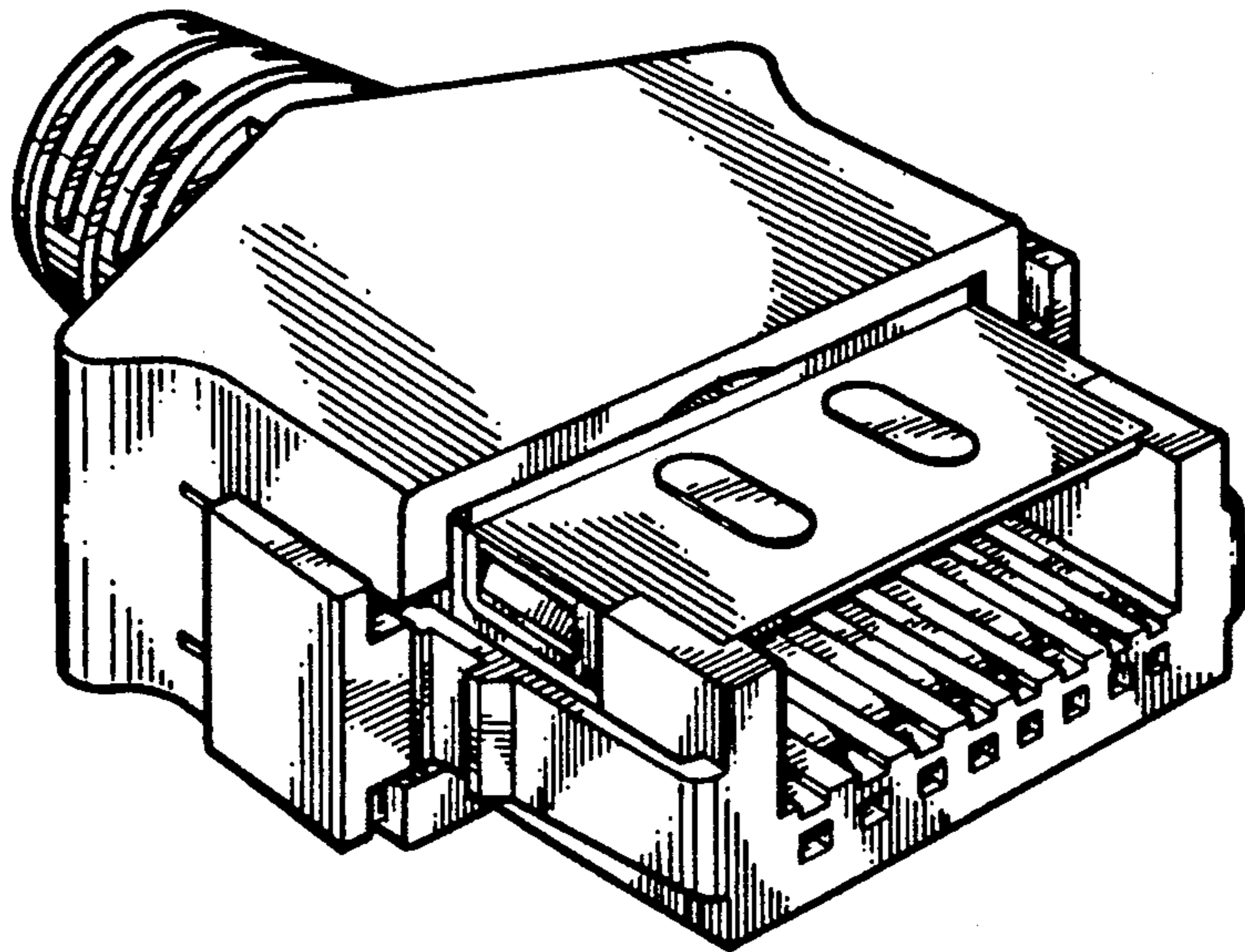
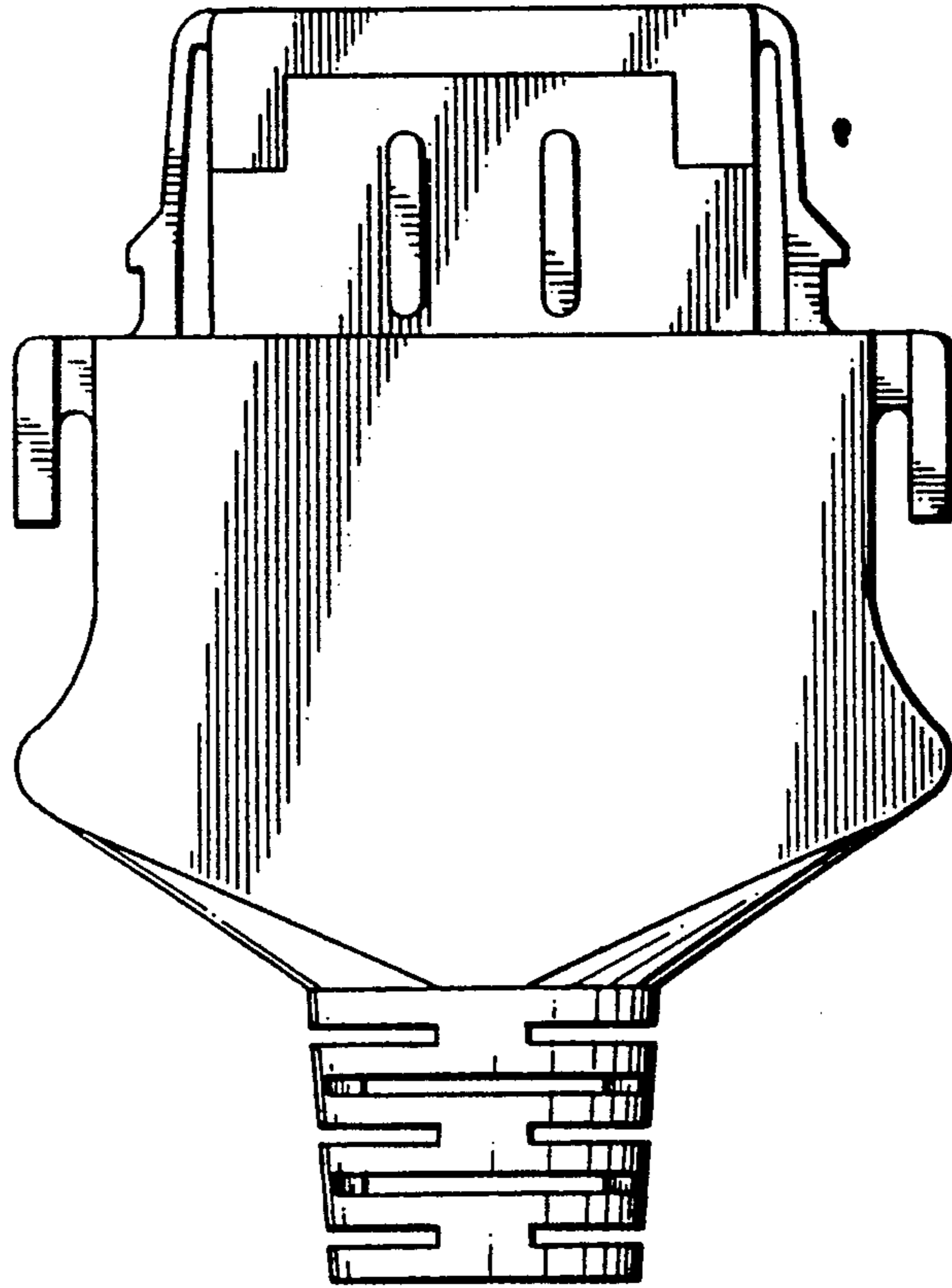


FIG. 7