

United States Patent [19]

Matsuoka et al.

[11] Patent Number: **Des. 317,590**

[45] Date of Patent: **** Jun. 18, 1991**

[54] **AUTOMOBILE BULB SOCKET**

[75] Inventors: **Ken Matsuoka; Kihachiro Uchida,**
both of Shizuoka; **Kazuya Horiuchi;**
Hiroyuki Hayashi, both of Mie, all of
Japan

[73] Assignee: **Koito Manufacturing Co., Ltd.,** Mie,
Japan

[**] Term: **14 Years**

[21] Appl. No.: **87,949**

[22] Filed: **Aug. 21, 1987**

[30] **Foreign Application Priority Data**

Feb. 26, 1987 [JP] Japan 62-7260
[52] U.S. Cl. **D13/134**
[58] Field of Search D13/133, 134, 135;
439/546, 547, 699; 313/318

[56] **References Cited**

U.S. PATENT DOCUMENTS

D. 196,177 9/1963 Greasley D13/134
D. 220,489 4/1971 Fujita et al. D13/134
2,953,769 9/1960 Woofter et al. 439/546 X
3,864,001 2/1975 Millet 439/547
4,029,953 6/1977 Natoli 439/546 X

Primary Examiner—Susan J. Lucas
Attorney, Agent, or Firm—Sughrue, Mion, Zinn,
Macpeak & Seas

[57] **CLAIM**

The ornamental design for an automobile light socket,
as shown.

DESCRIPTION

FIG. 1 is a front, top and right side perspective view of
an automobile bulb socket showing our new design;
FIG. 2 is a front elevational view thereof;
FIG. 3 is a rear elevational view thereof;
FIG. 4 is a top plan view thereof;
FIG. 5 is a bottom plan view thereof;
FIG. 6 is a right side elevational view thereof; and
FIG. 7 is a left side elevational view thereof.

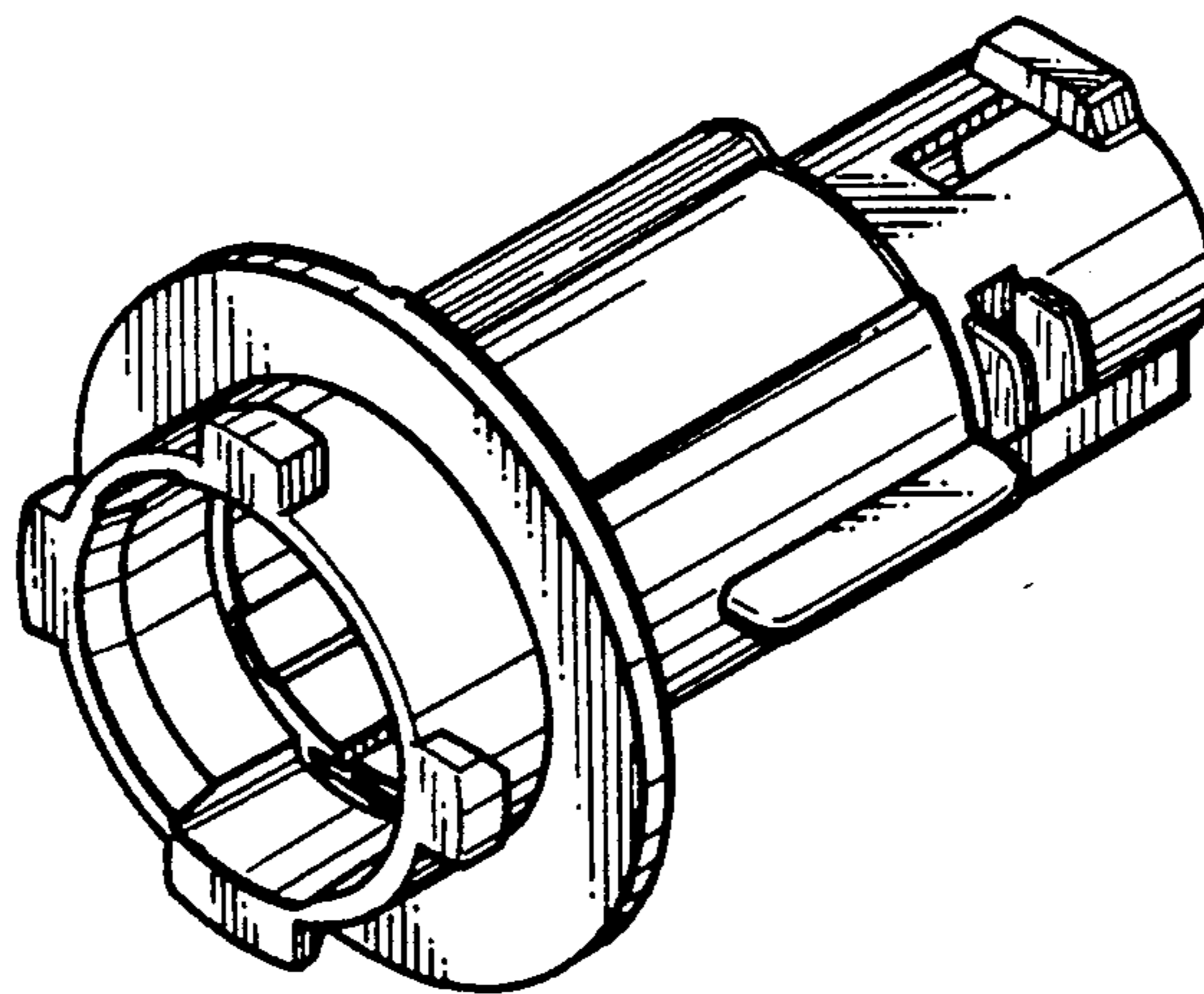


Fig. 1

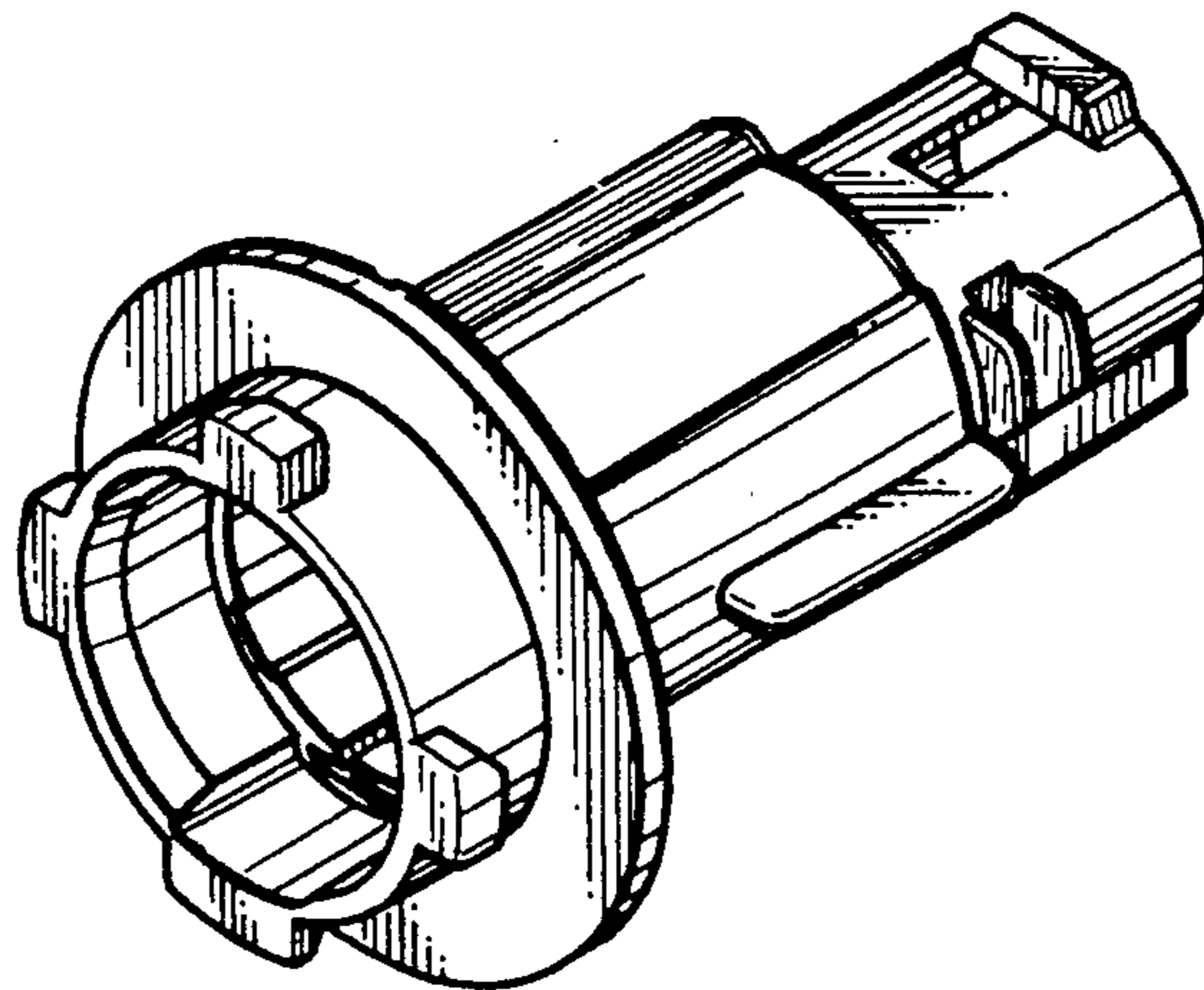


Fig. 2

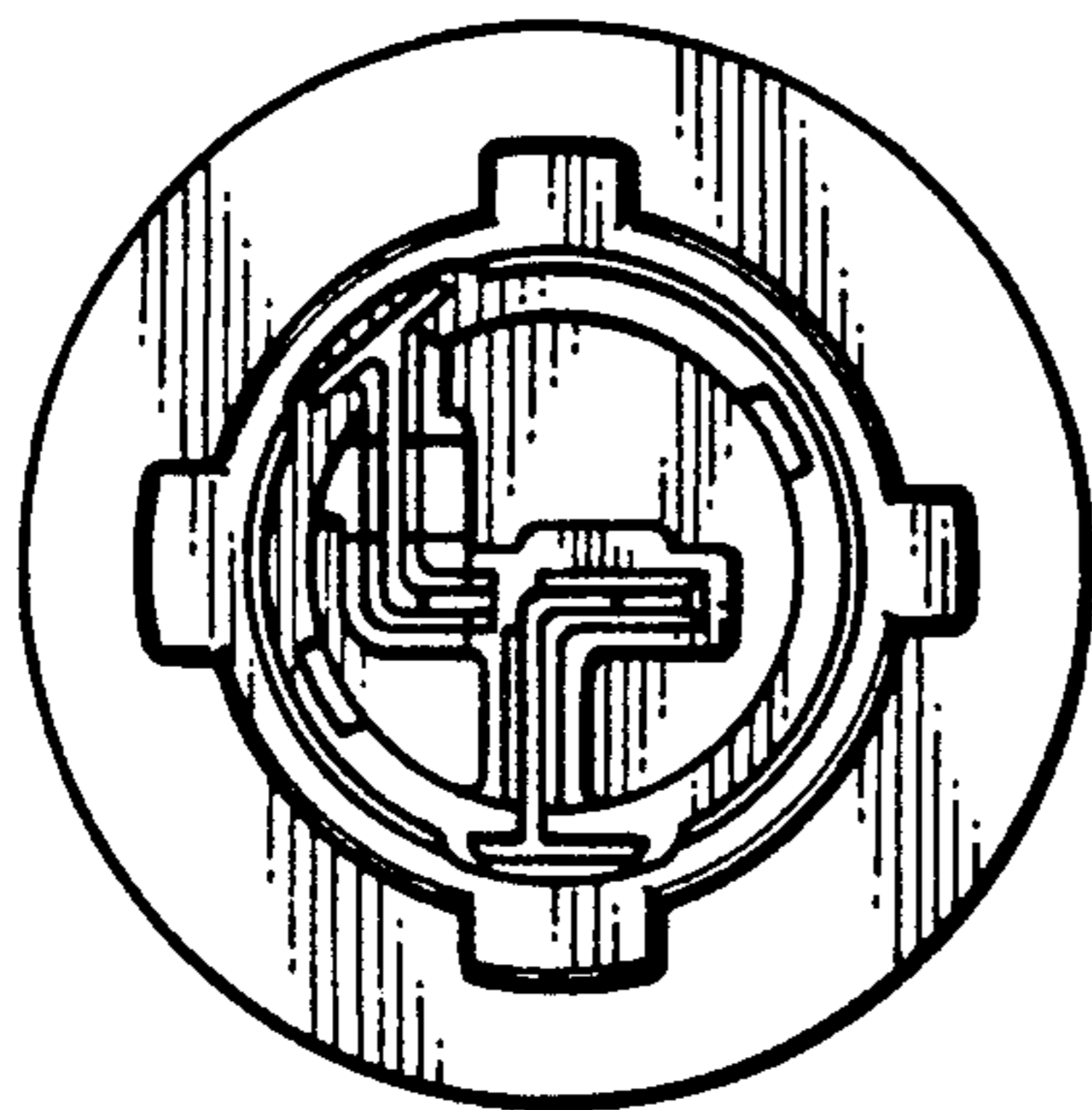


Fig. 3

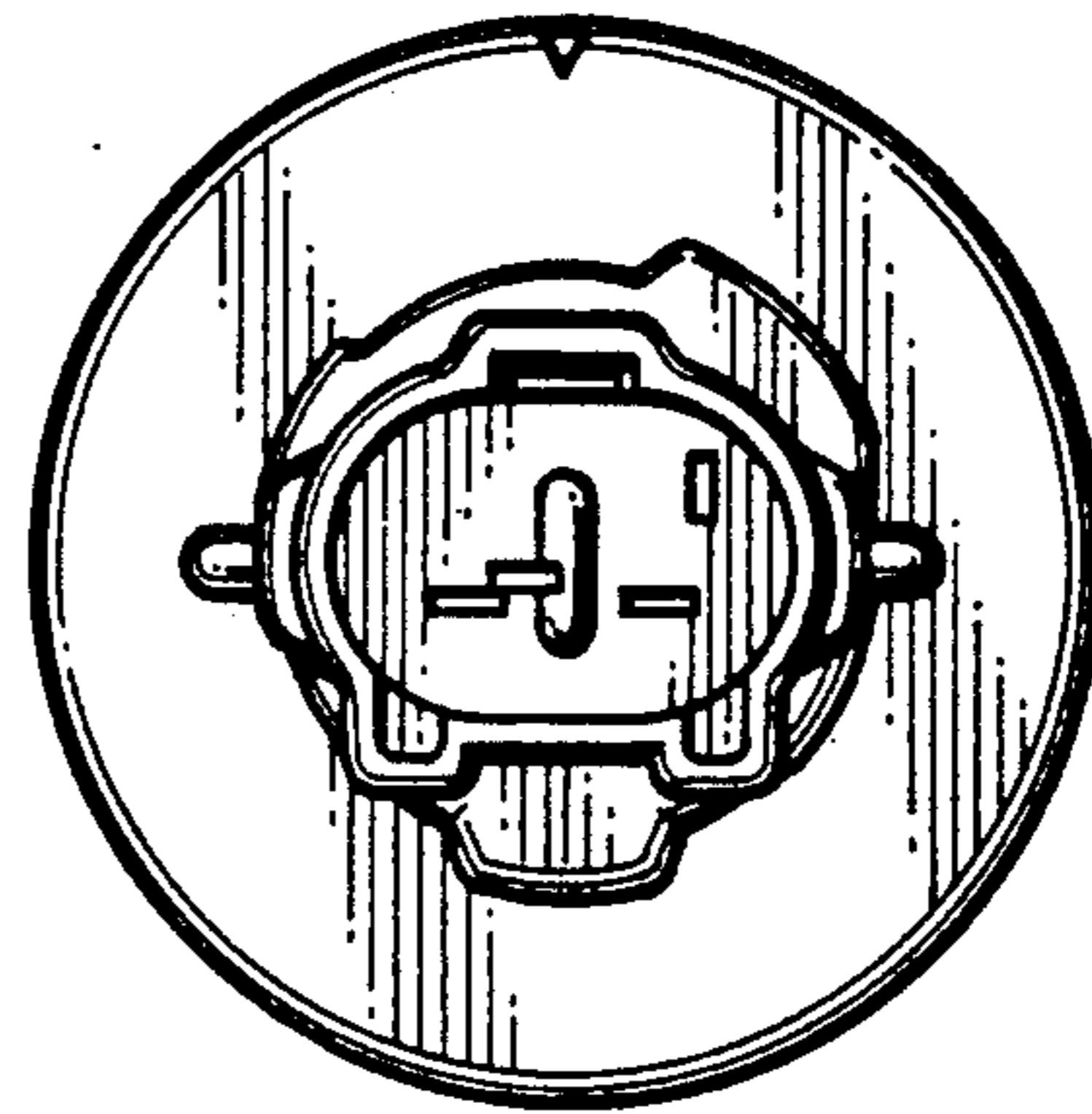


Fig. 4

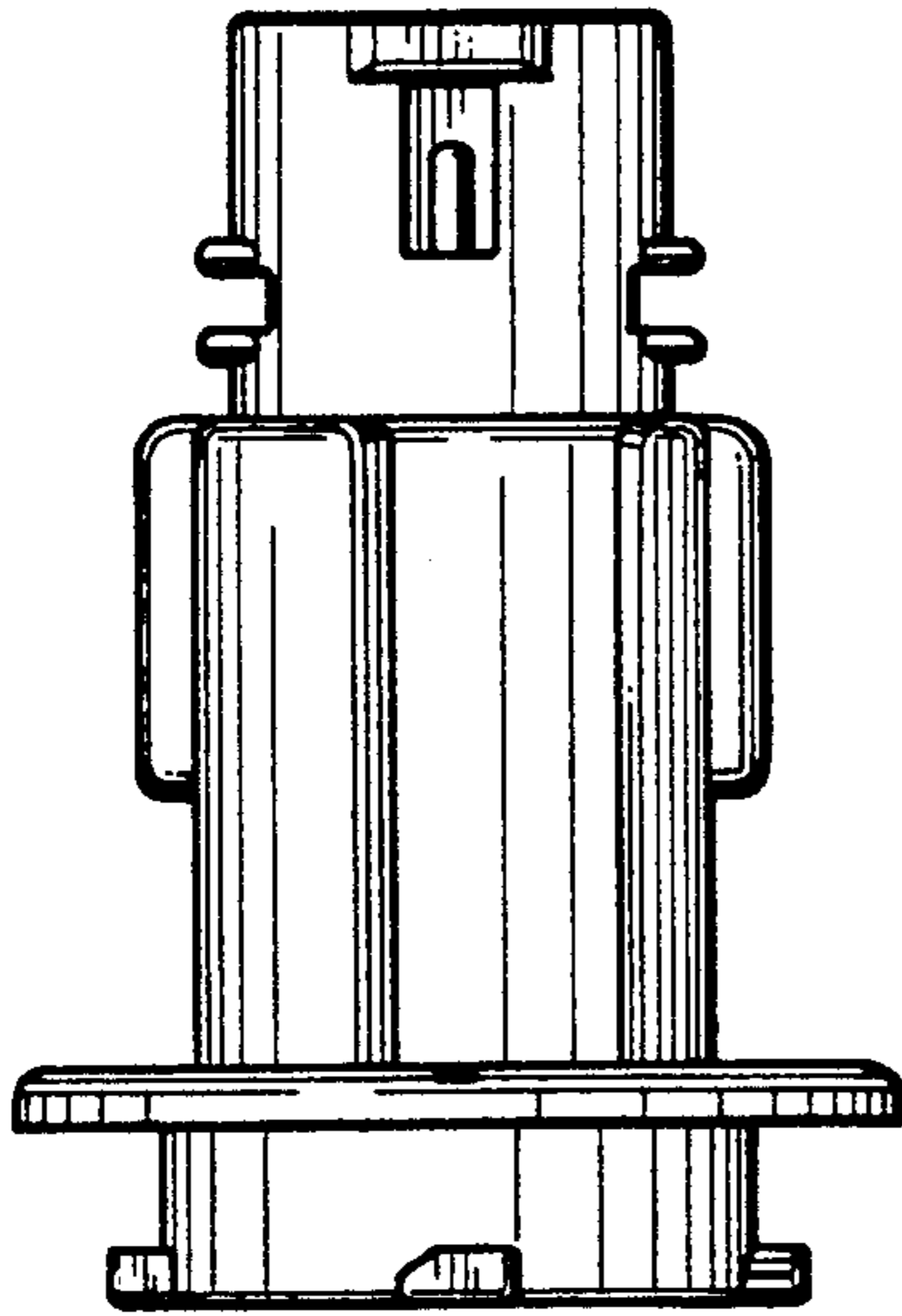


Fig. 5

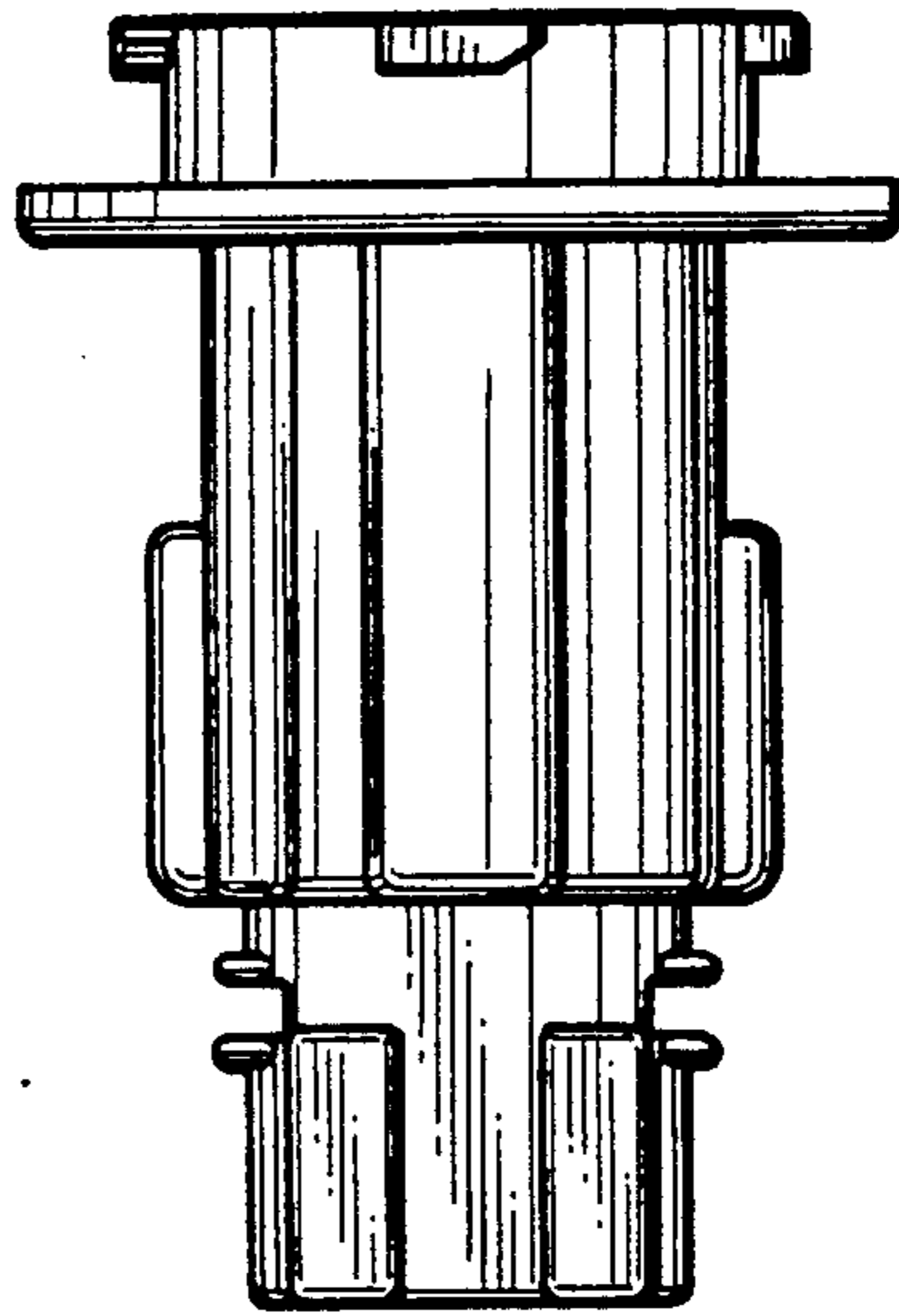


Fig. 6

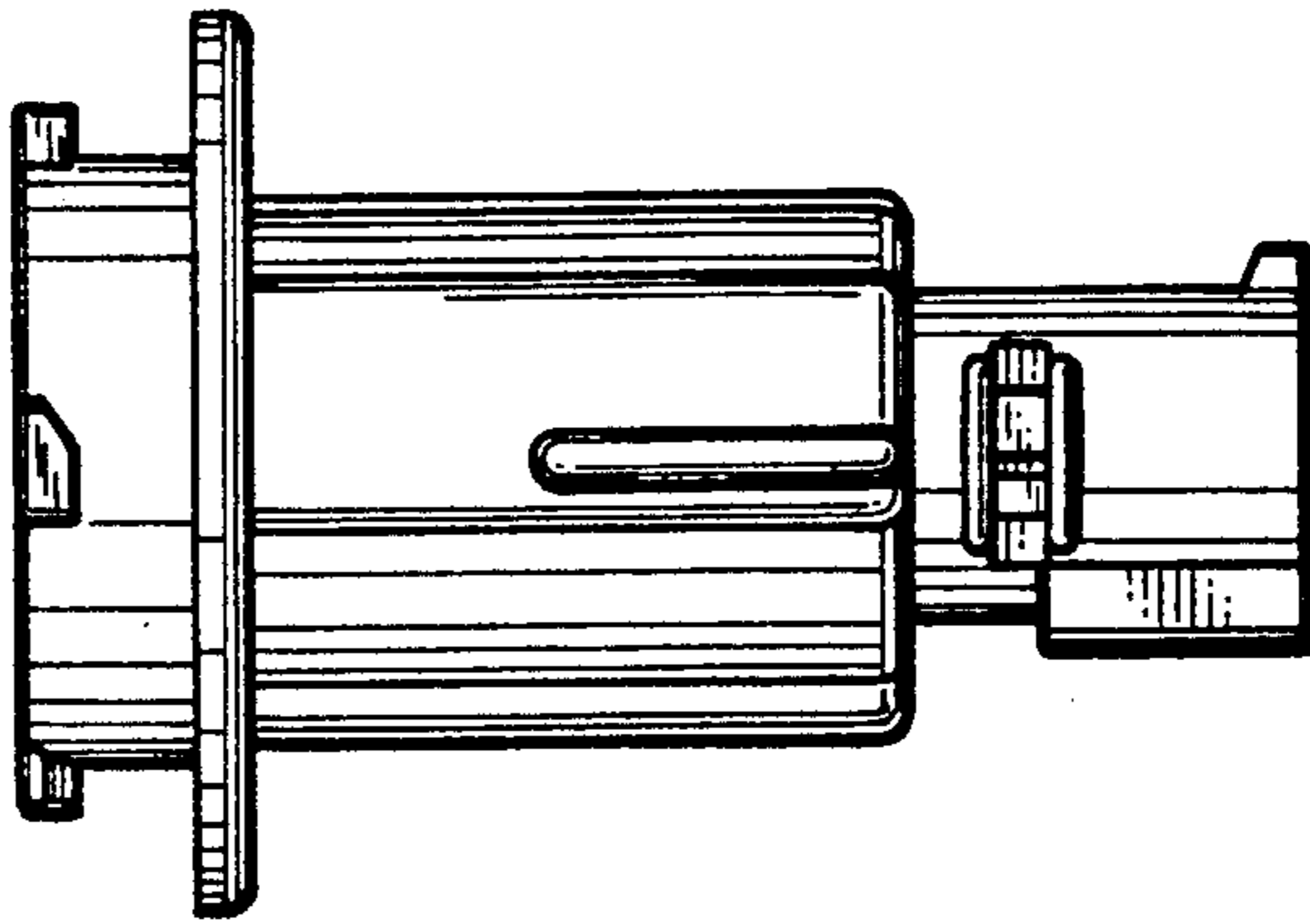


Fig. 7

