

[54] VEHICLE WINDSHIELD SHADE OR SIMILAR ARTICLE

4,929,014 5/1990 Clark et al. 296/97.8

[76] Inventor: Michael R. Pluta, 16748 Algonquin, Huntington Beach, Calif. 92649

Primary Examiner—James M. Gandy
Attorney, Agent, or Firm—John E. Halamka

[**] Term: 14 Years

[57] CLAIM

[21] Appl. No.: 299,814

The ornamental design for a vehicle windshield shade or similar article, as shown and described.

[22] Filed: Jan. 23, 1989

DESCRIPTION

[52] U.S. Cl. D12/191

[58] Field of Search D12/191, 155, 182; 296/97.1, 97.4, 97.6, 97.7, 97.8; 160/370.2, DIG. 3

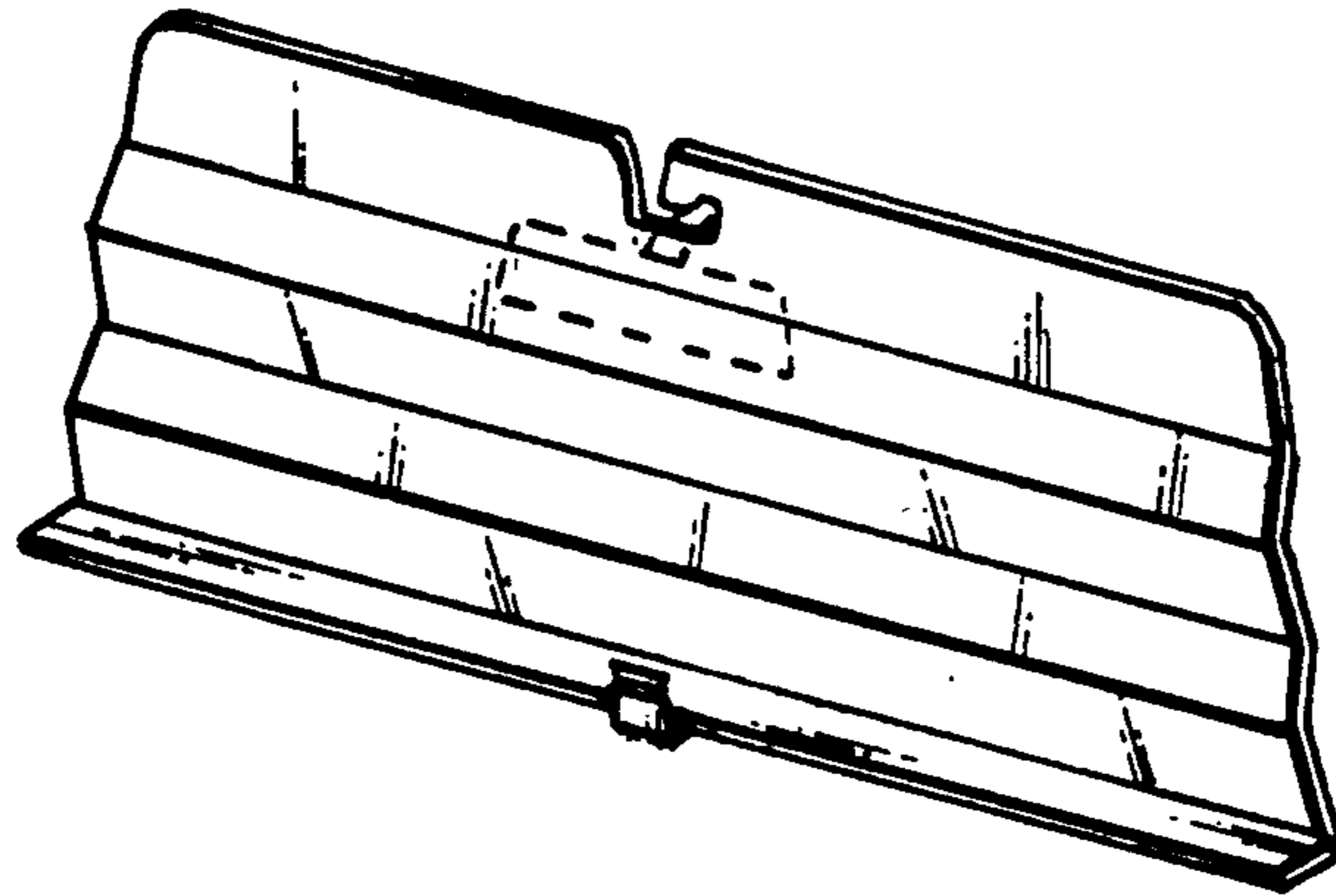
FIG. 1 is a perspective view of my vehicle windshield shade or similar article showing my new design; FIG. 2 is enlarged front elevational view thereof; FIG. 3 is enlarged rear elevational view thereof; FIG. 4 is enlarged top plan view thereof; FIG. 5 is enlarged side elevational view thereof; and, FIG. 6 is enlarged bottom plan view thereof.

[56] References Cited

U.S. PATENT DOCUMENTS

- 3,003,812 10/1961 Haugland 296/97.7
- 4,558,899 12/1985 Chu et al. 296/97.8
- 4,758,042 7/1988 Liu 296/97.8

The broken line showing of a rear view mirror in FIG. 1 is for illustrative purposes only and forms no part of the claimed design.



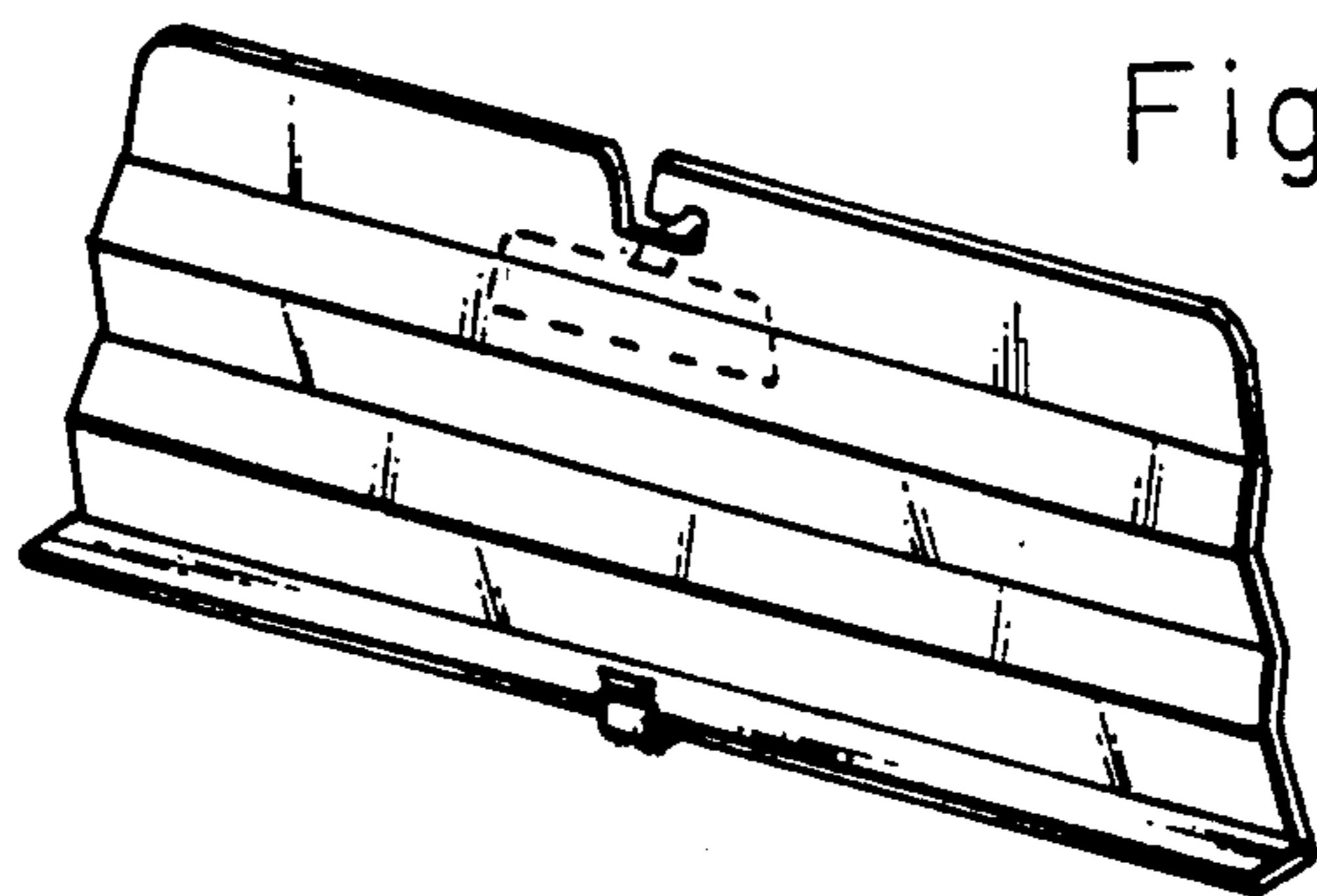


Fig. 1.

Fig. 2.

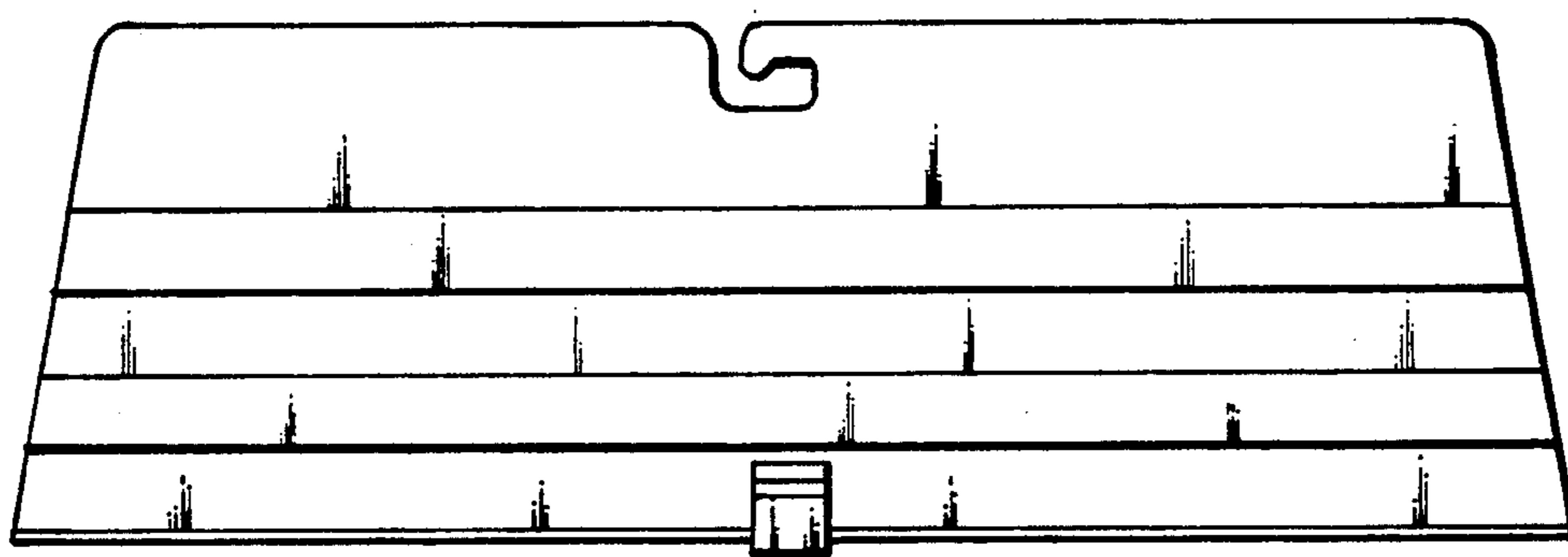


Fig. 3.

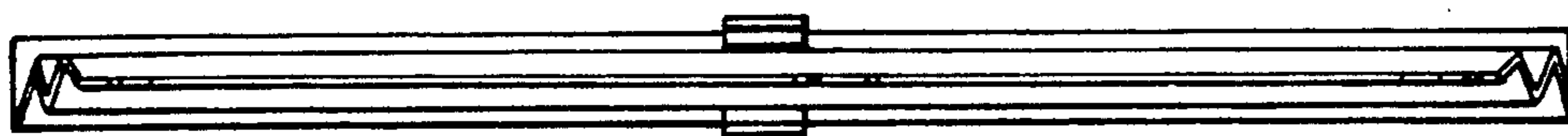
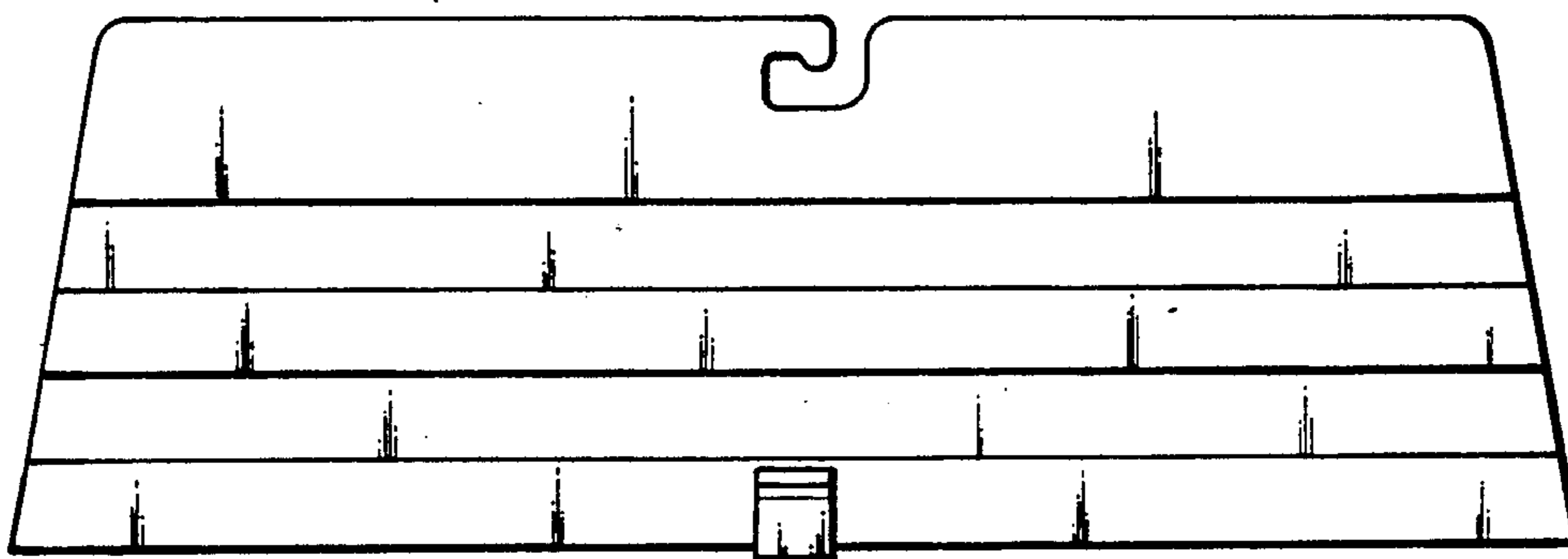


Fig. 4.



Fig. 6.

Fig. 5.

