

[54] VISOR ATTACHABLE HOLDER FOR A MICROCASSETTE RECORDER

[76] Inventor: Guy A. Chembars, P.O. Box 229, Broadway, N.J. 08808

[**] Term: 14 Years

[21] Appl. No.: 189,680

[22] Filed: May 2, 1988

[52] U.S. Cl. D12/191; D6/466; D7/620

[58] Field of Search D6/462, 463, 464, 465, D6/466, 467, 469, 459, 449; D7/616, 620; D12/191; D3/40

[56] References Cited

U.S. PATENT DOCUMENTS

- D. 206,783 1/1967 McCormick D6/466 X
- D. 206,785 1/1967 McCormick D6/466 X
- D. 208,975 10/1967 Koubele D12/191
- D. 248,847 8/1978 Wooters D12/191

- D. 248,909 8/1978 Frazian D7/616 X
- 2,921,690 1/1960 Smith et al. D7/616 X
- 3,338,628 8/1967 Evans D7/620 X

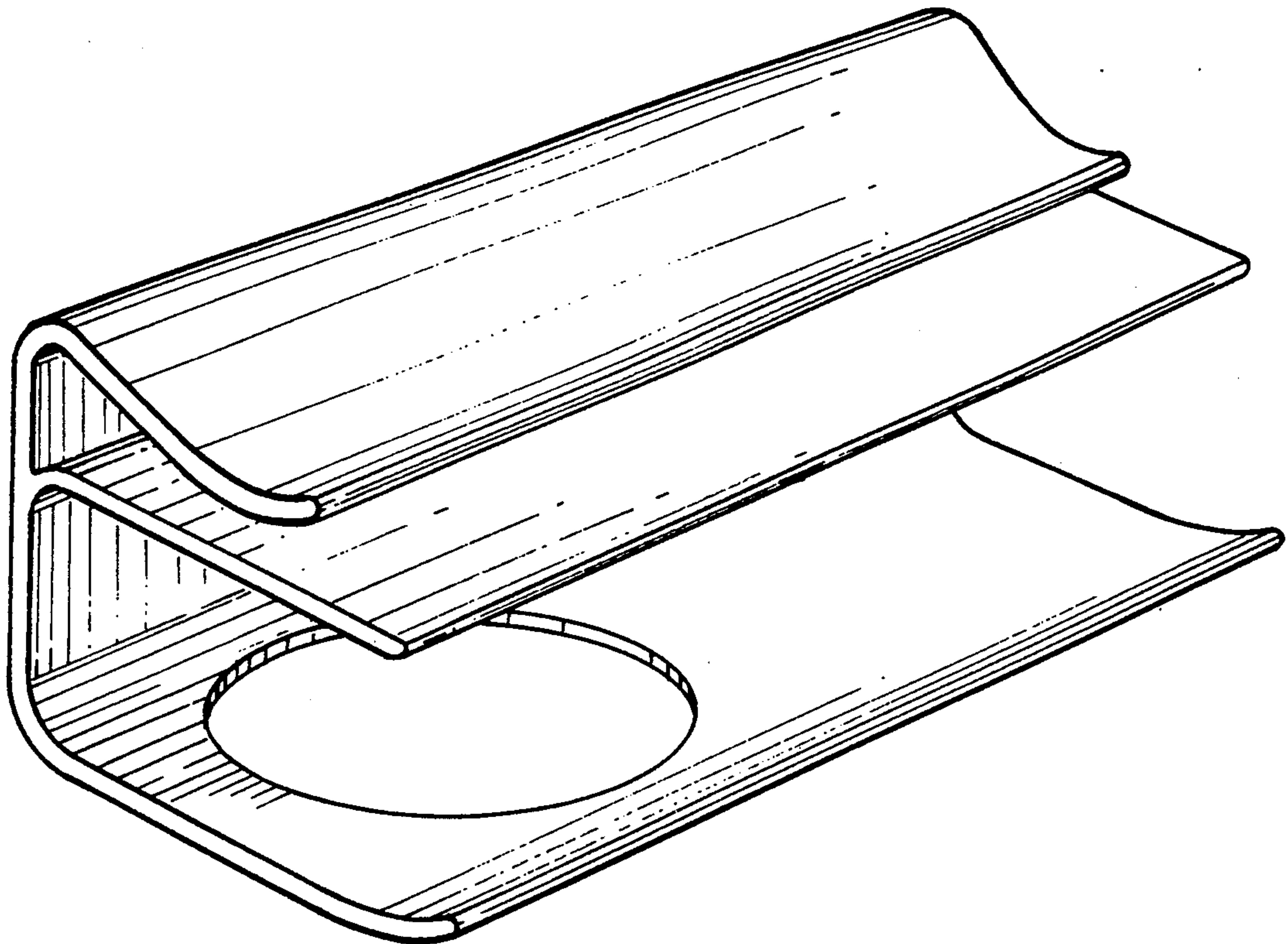
Primary Examiner—Bruce W. Dunkins
Assistant Examiner—Jeffrey Asch
Attorney, Agent, or Firm—Kenneth P. Glynn

[57] CLAIM

The ornamental design for a view attachable holder for a microcassette recorder, as shown.

DESCRIPTION

FIG. 1 is a left side elevational view of a visor attachable for a microcassette recorder showing my new design;
FIG. 2 is a right side elevational view thereof;
FIG. 3 is a front elevational view thereof;
FIG. 4 is a rear elevational view thereof;
FIG. 5 is a top plan view thereof;
FIG. 6 is a bottom plan view thereof; and
FIG. 7 is a perspective view thereof.



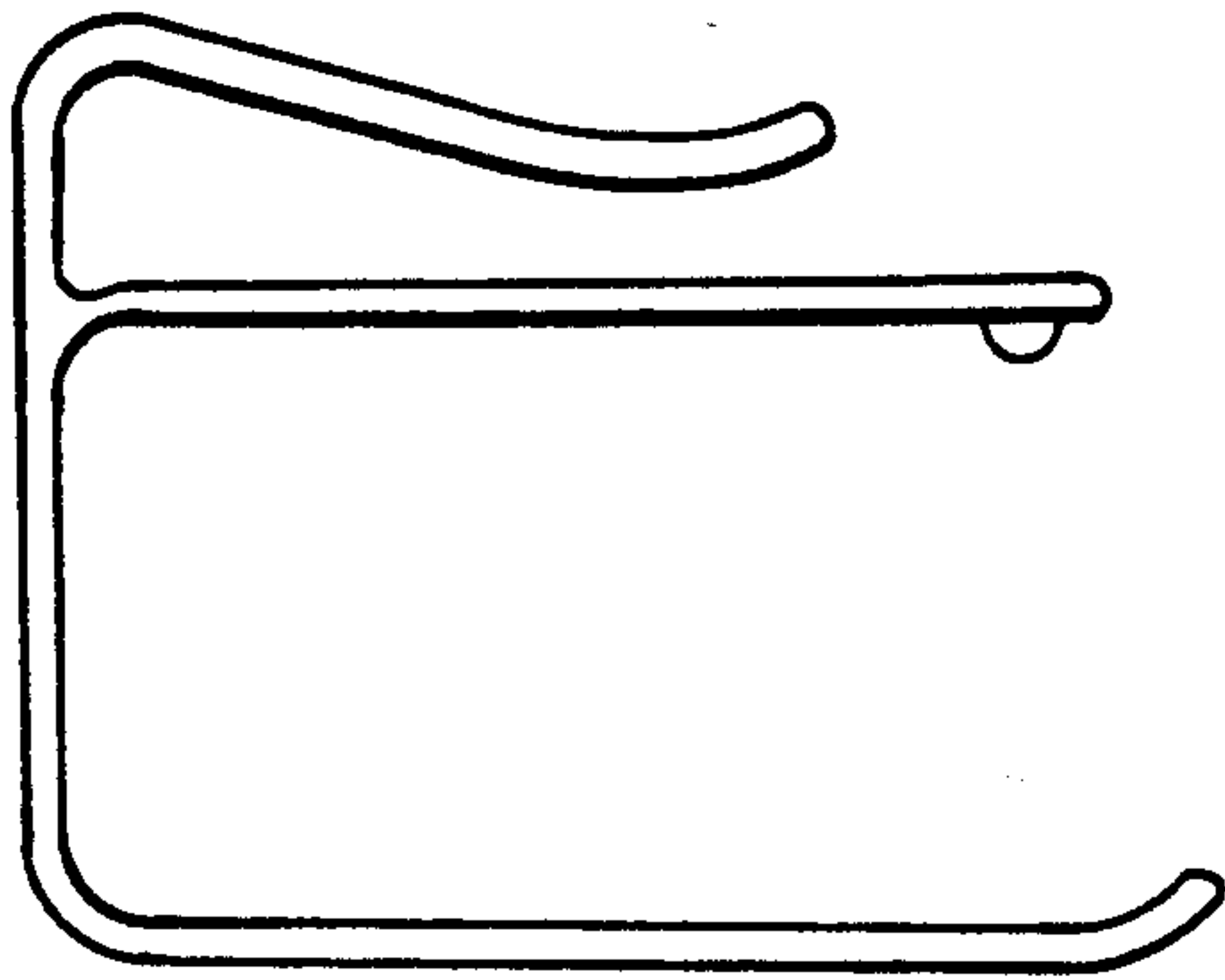


FIG. 1

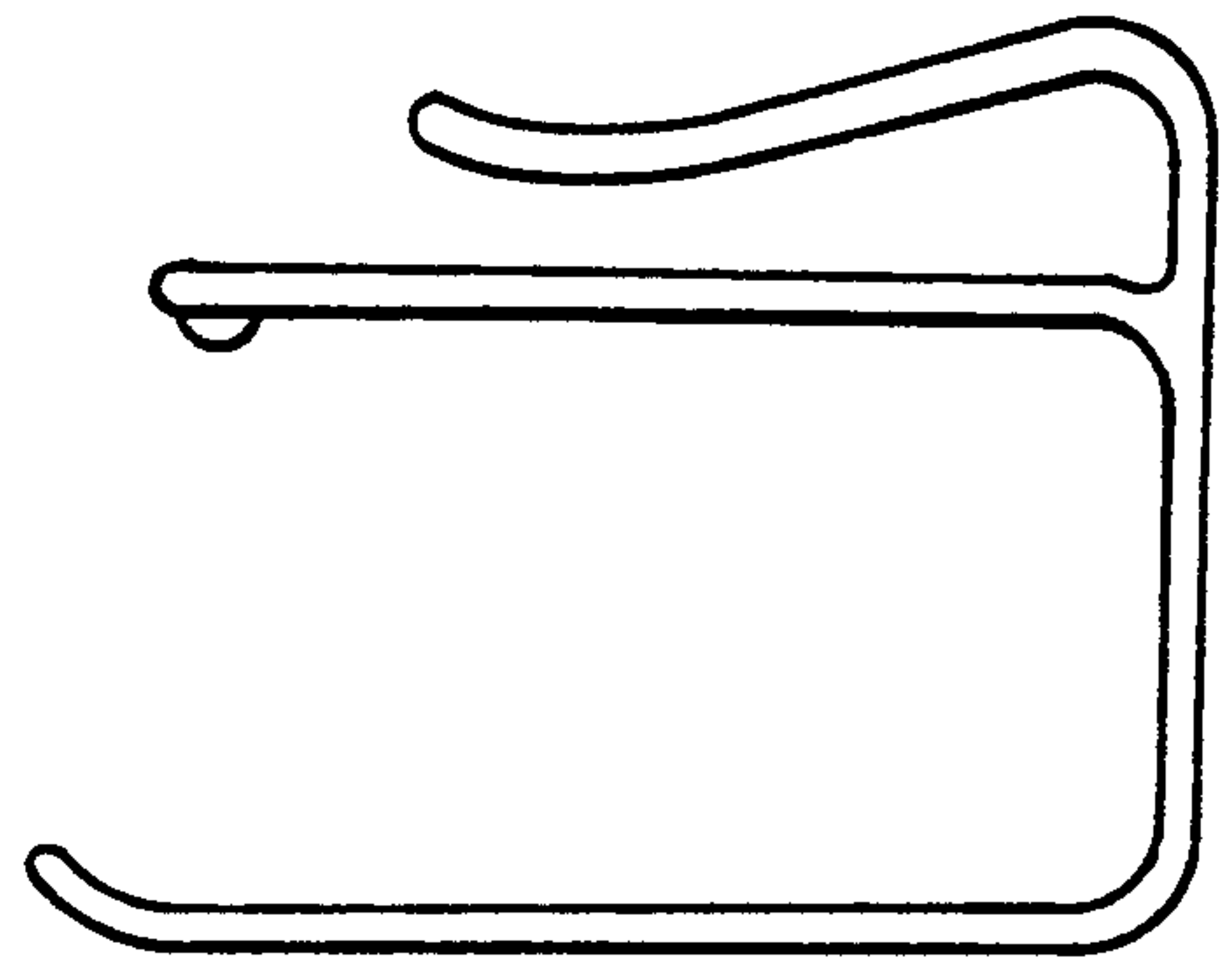


FIG. 2

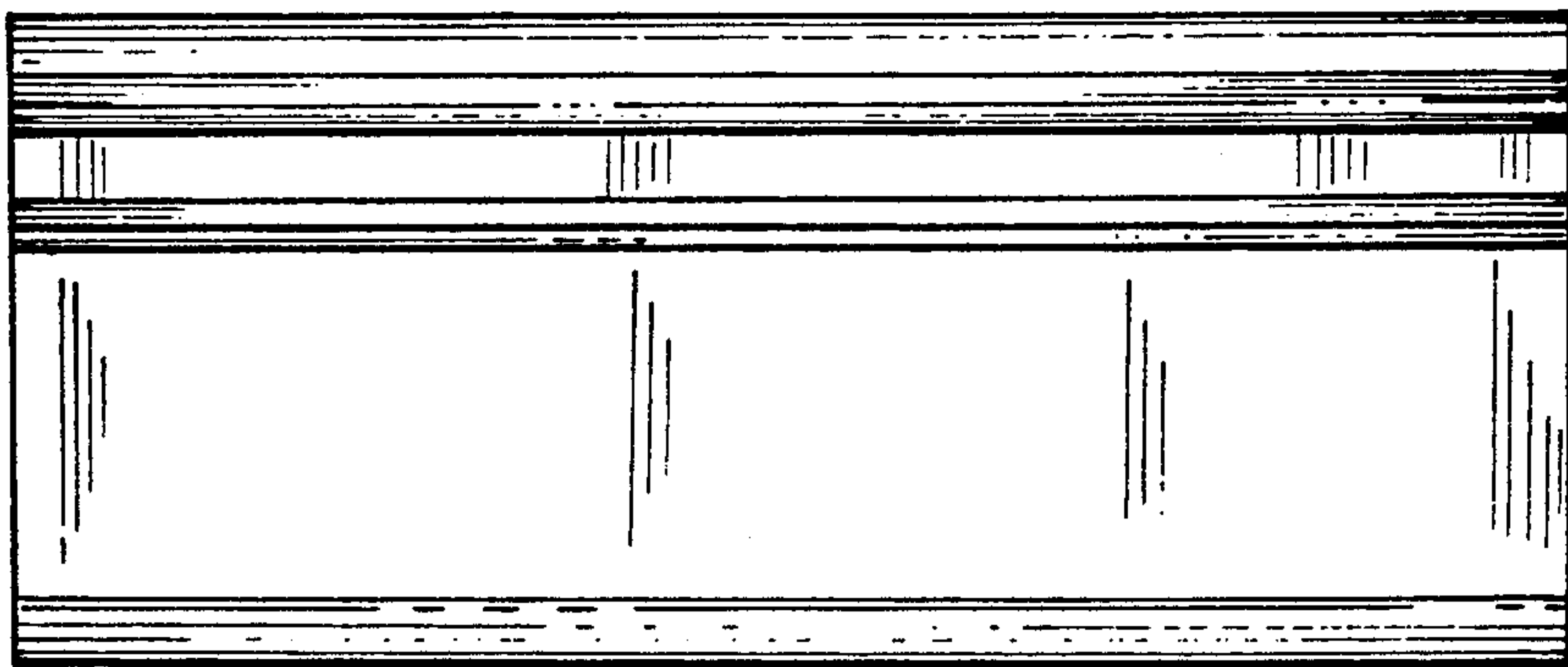


FIG. 3

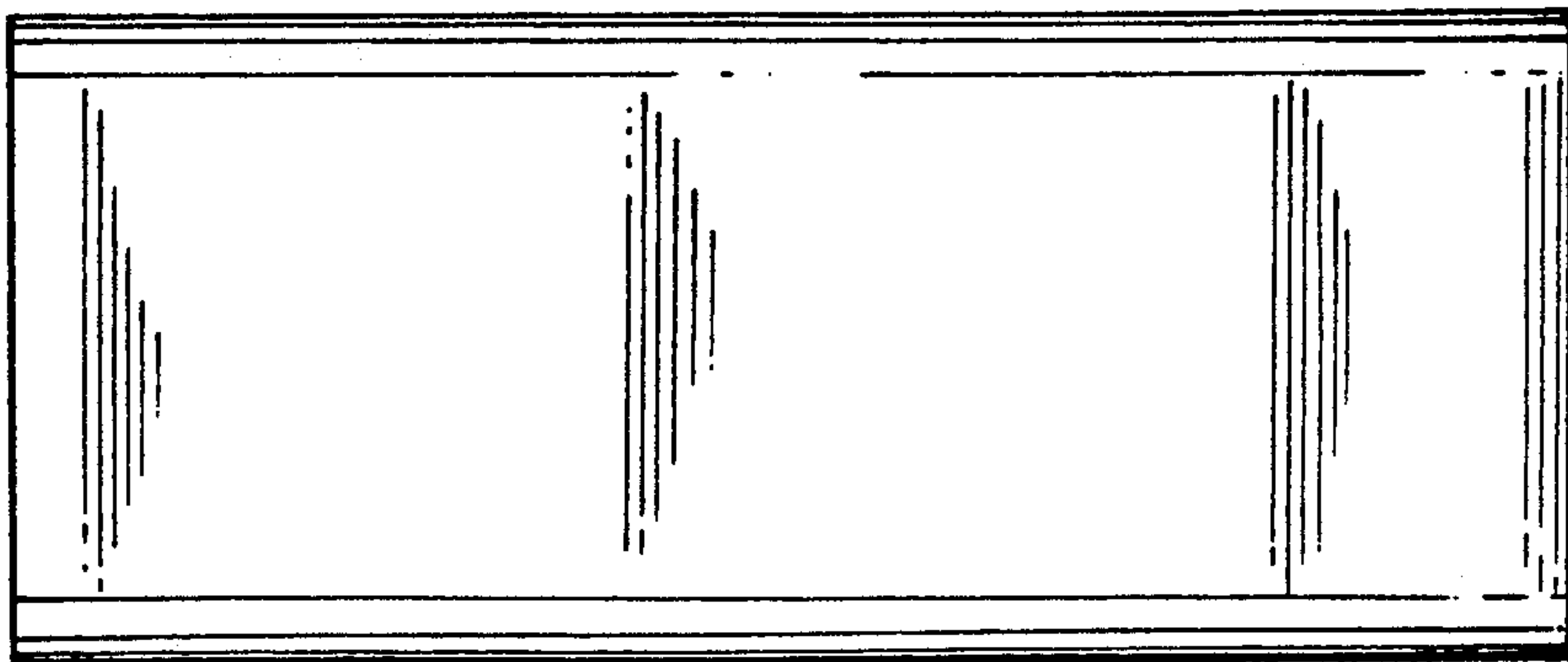


FIG. 4

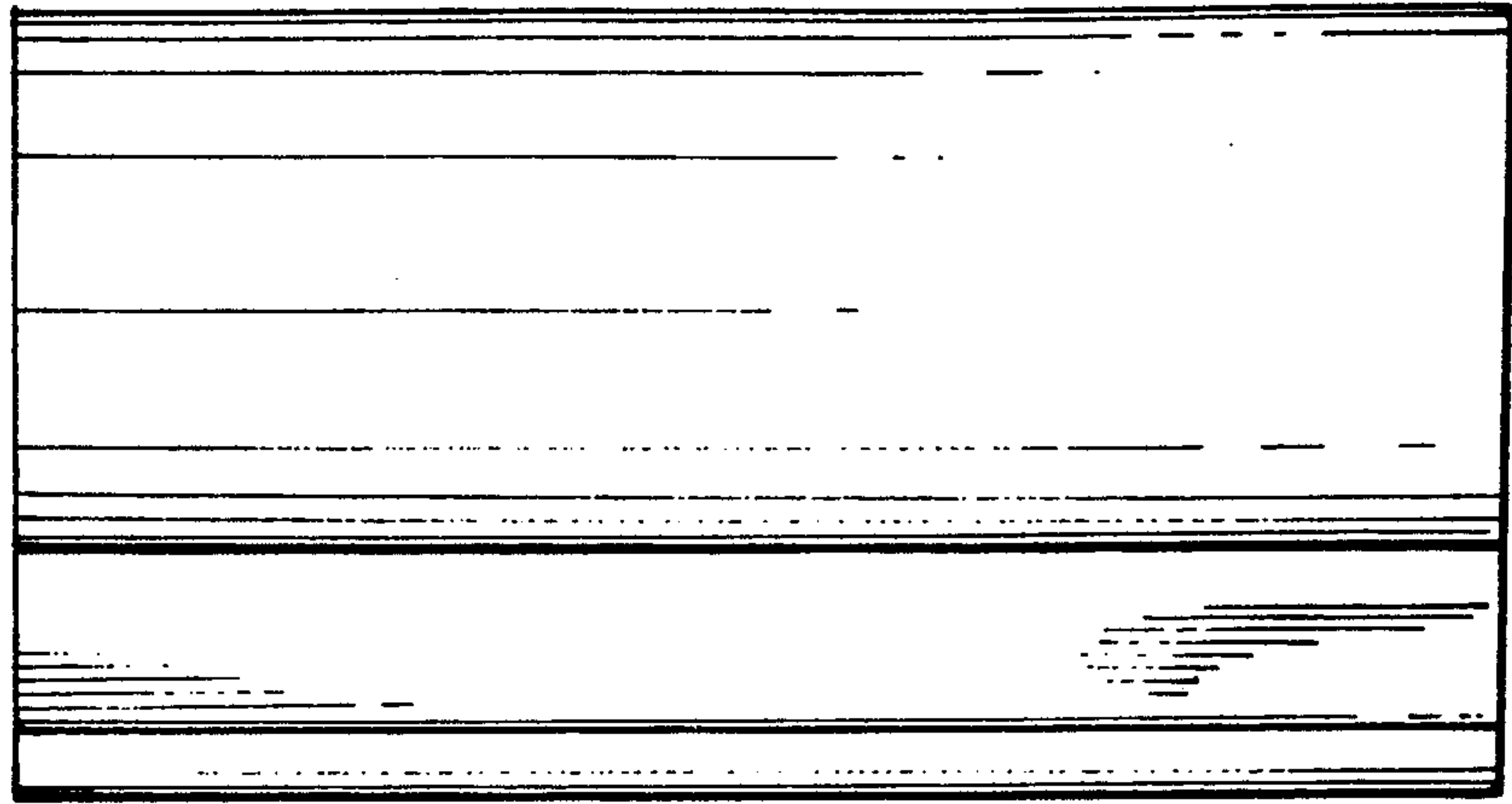


FIG. 5

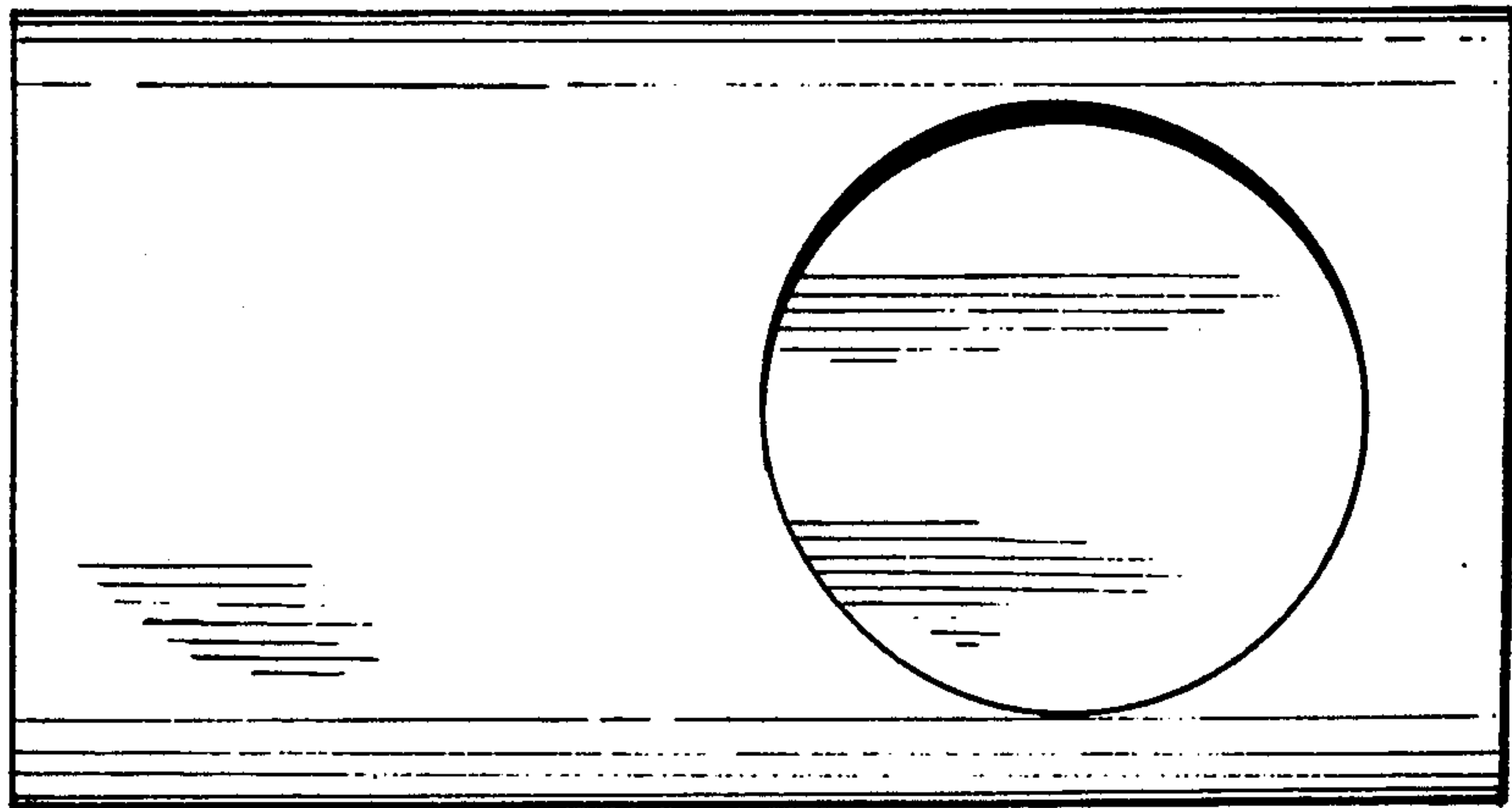


FIG. 6

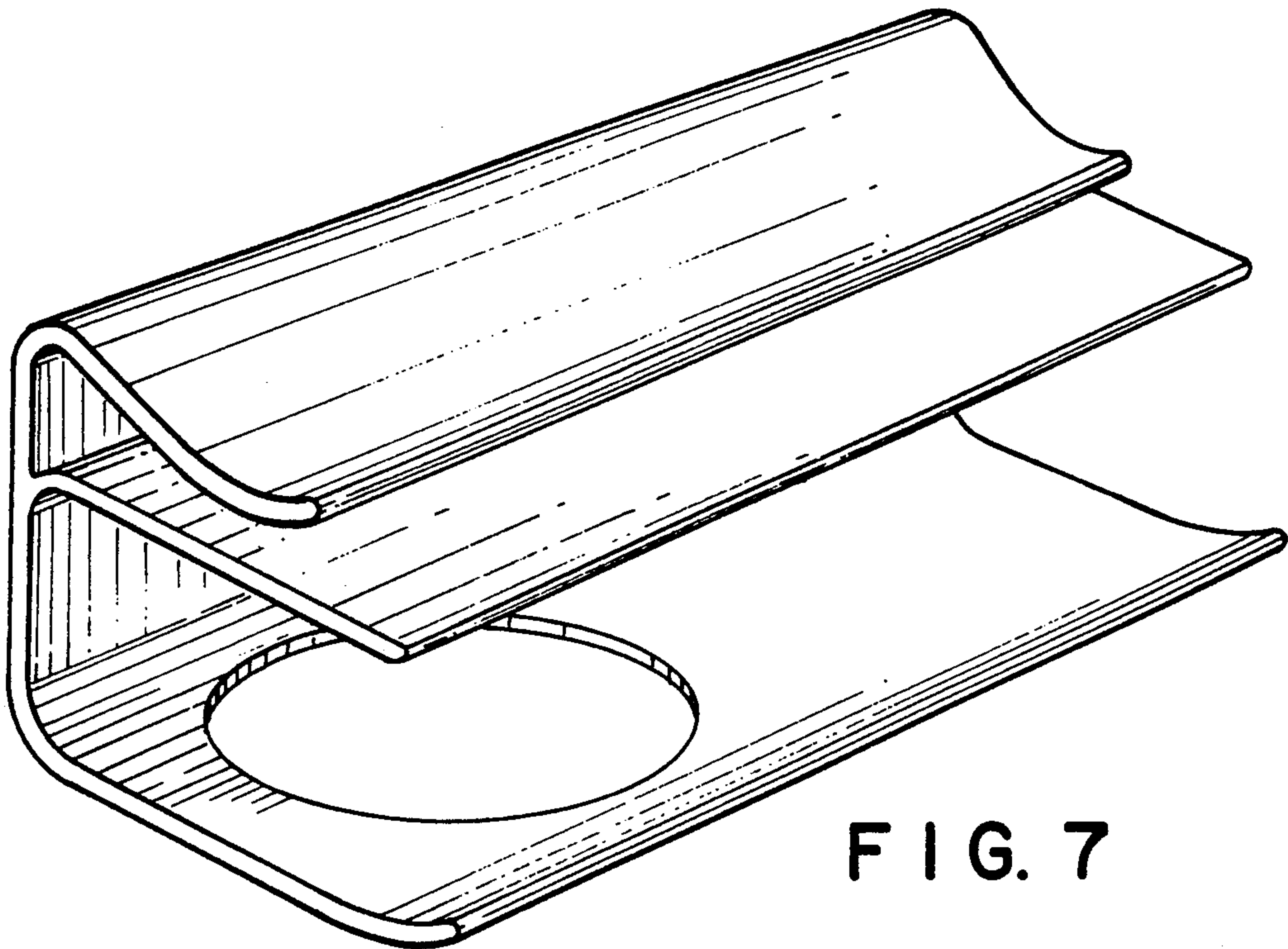


FIG. 7