

United States Patent [19]

Step

[11] Patent Number: **Des. 317,573**

[45] Date of Patent: **** Jun. 18, 1991**

[54] **ALIGNMENT BAG**

[75] Inventor: **Paul Step, Toronto, Canada**

[73] Assignee: **501 Romet Limited, Canada**

[**] Term: **14 Years**

[21] Appl. No.: **333,494**

[22] Filed: **Apr. 5, 1989**

[30] **Foreign Application Priority Data**

Oct. 5, 1988 [CA] Canada 05-10-88-6

[52] U.S. Cl. **D10/64**

[58] Field of Search D10/61, 64, 65, 70,
D10/71; 29/271, 276, 272, 270; 33/286, 533,
552, 555.1, 573, 608, 645

[56] **References Cited**

U.S. PATENT DOCUMENTS

2,105,954	1/1938	Ripple	29/272
3,352,147	11/1967	Ligon	29/272 X
3,729,797	4/1973	Ambrose et al.	29/272 X
4,846,391	7/1989	McClure	29/272 X
4,936,500	6/1990	McClure	29/272 X

Primary Examiner—Bruce W. Dunkins

Assistant Examiner—Antoine D. Davis

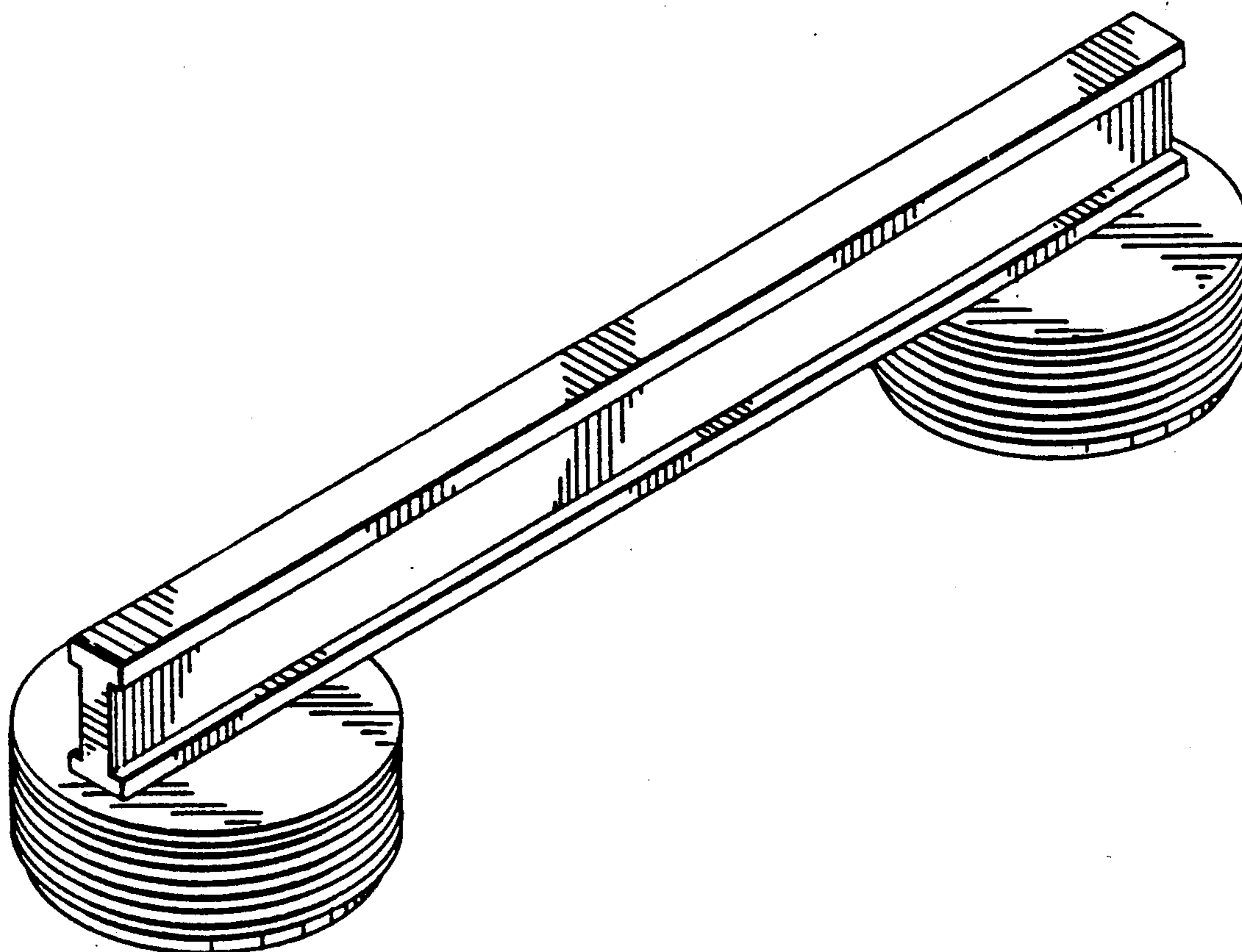
Attorney, Agent, or Firm—Thomas A. O'Rourke

[57] **CLAIM**

The ornamental design for an alignment bar, as shown and described.

DESCRIPTION

FIG. 1 is a top, front and right side perspective view of an alignment bar showing my new design; and FIG. 2 is a bottom, rear and left side perspective view thereof.



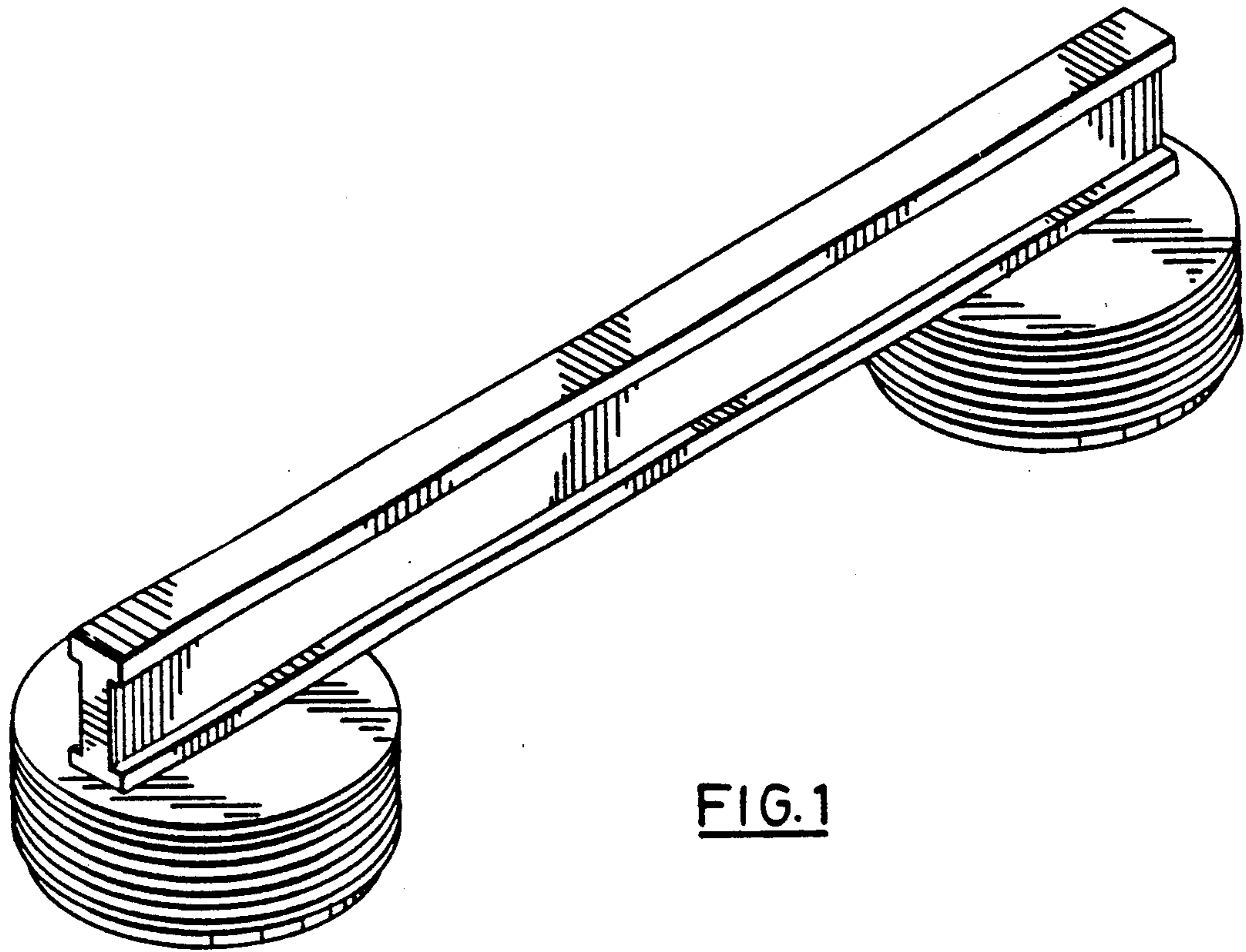


FIG. 1

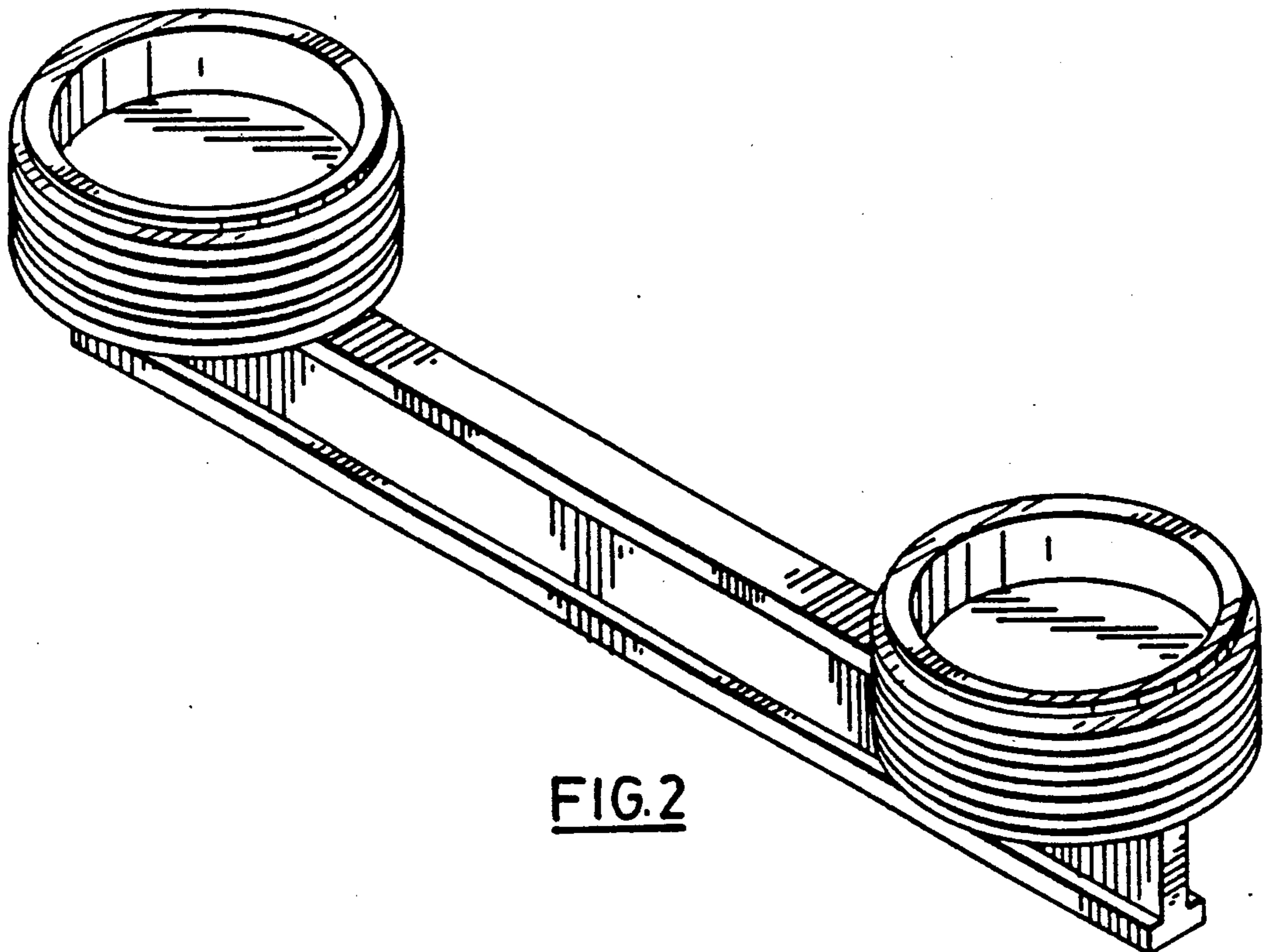


FIG. 2