

[54] **ARTICLE DISPLAY BOX**
[76] **Inventor: Dino L. Garganese, 40 Celestia Ct.,
N. Kingston, R.I. 02852**
[**] **Term: 14 Years**
[21] **Appl. No.: 177,597**
[22] **Filed: Apr. 5, 1988**
[52] **U.S. Cl. D9/420**
[58] **Field of Search D9/414-433,
D9/345, 341; 206/44 R, 45.28, 45.13, 45.19,
45.23, 45.31, 18, 6.1, 566**

4,660,719 4/1987 Peterson et al. 206/45.13 X
4,732,269 3/1988 Roy 206/45.13

Primary Examiner—Bernard Ansher
Assistant Examiner—Prabhakar Deshmukh
Attorney, Agent, or Firm—Salter & Michaelson

[57] **CLAIM**

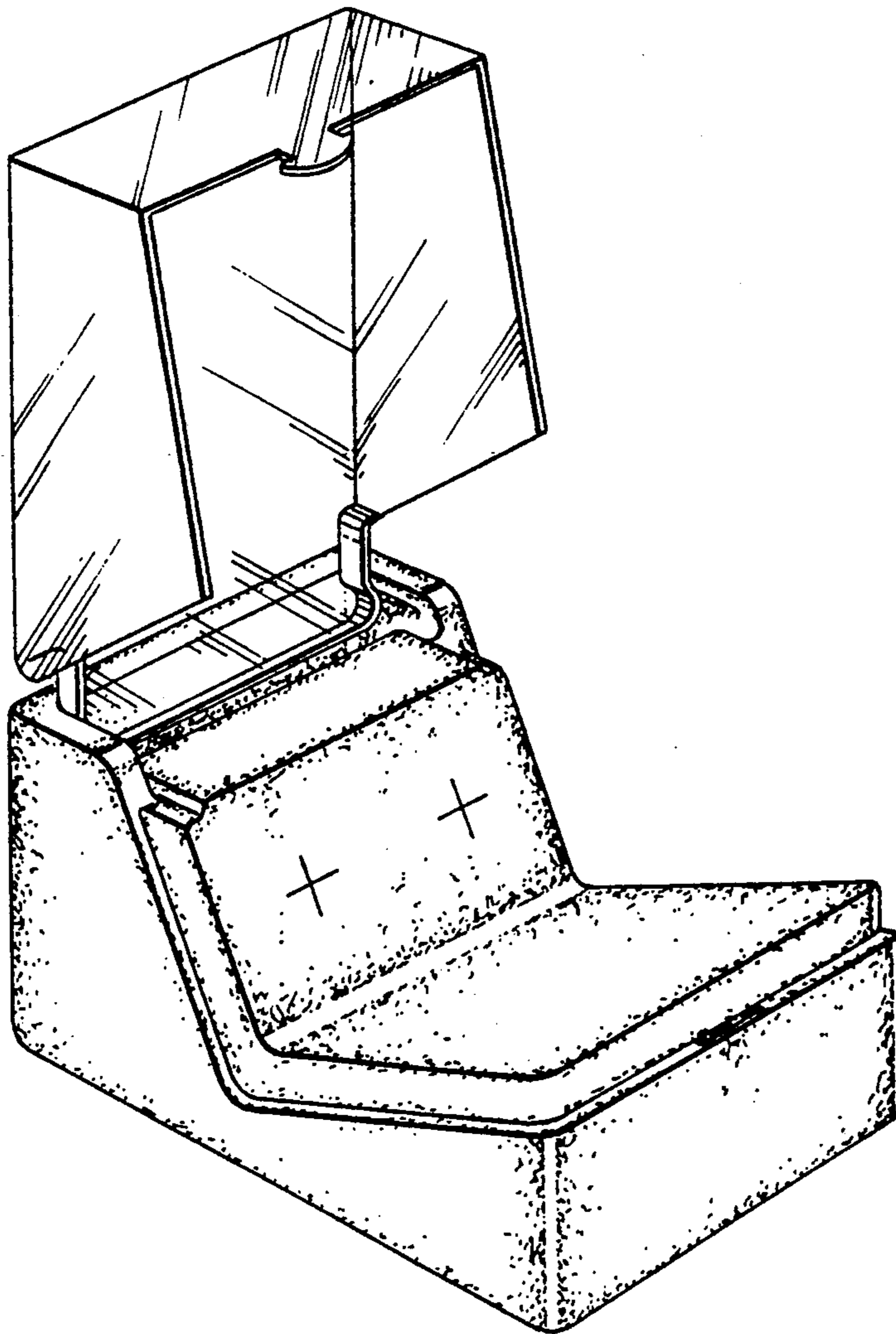
The ornamental design for an article display box, as shown.

DESCRIPTION

FIG. 1 is a side elevational view of an article display box showing my new design;
FIG. 2 is a front elevational view thereof;
FIG. 3 is a top plan view thereof;
FIG. 4 is a rear elevational view thereof;
FIG. 5 is a bottom plan view thereof;
FIG. 6 is a front perspective view thereof, in closed position; and
FIG. 7 is a front perspective view thereof; in open position.

[56] **References Cited**
U.S. PATENT DOCUMENTS

D. 83,607	3/1931	Gross	D9/420
2,698,084	12/1954	Burroughs et al.	206/45.13
3,563,369	2/1971	Aldrich	206/45.19 X
3,670,437	6/1972	Brien	206/45.19
3,930,577	1/1976	Kortick	206/45.13
4,201,293	5/1980	Rigazio et al.	206/45.19



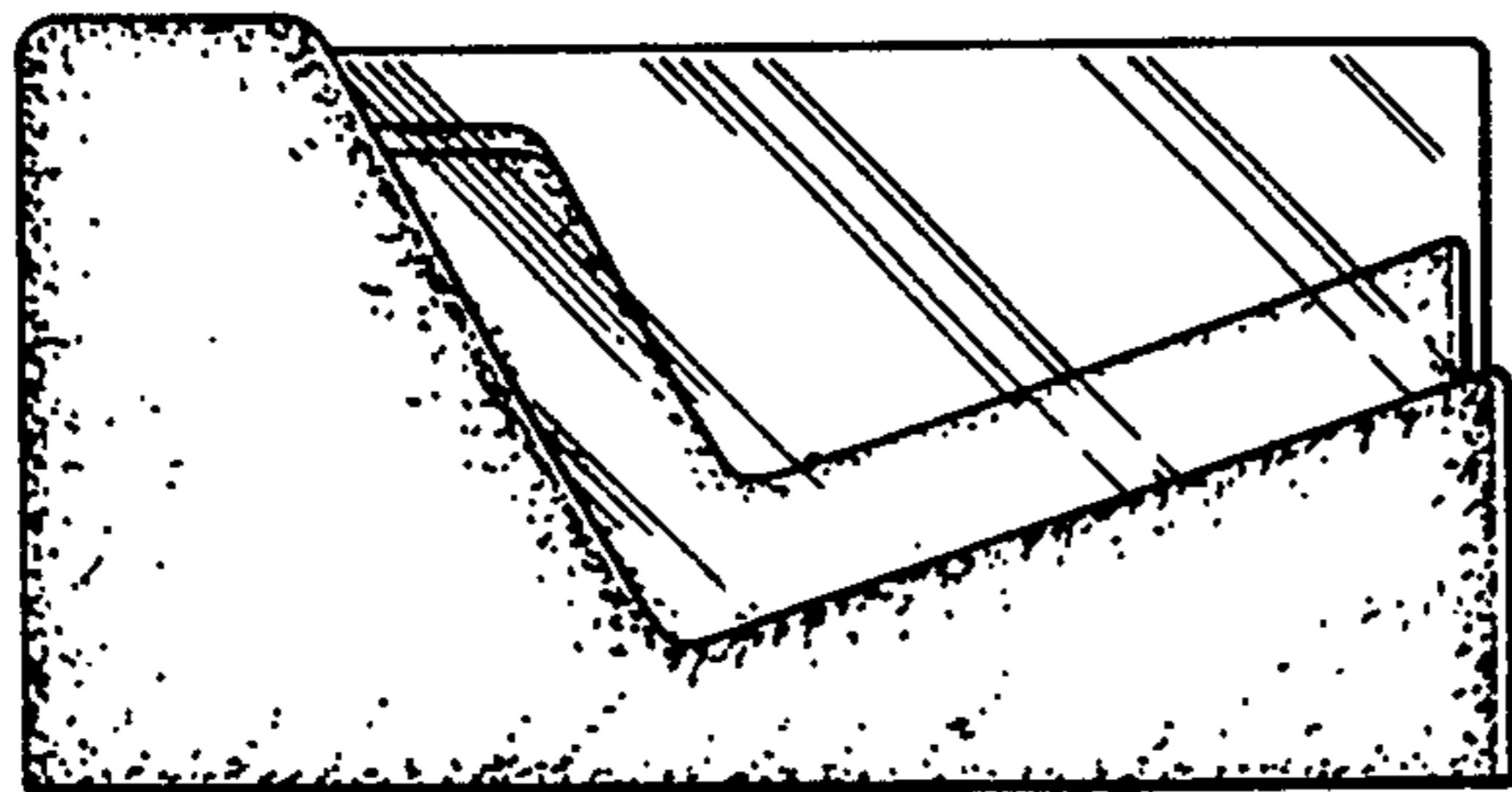


FIG. 1

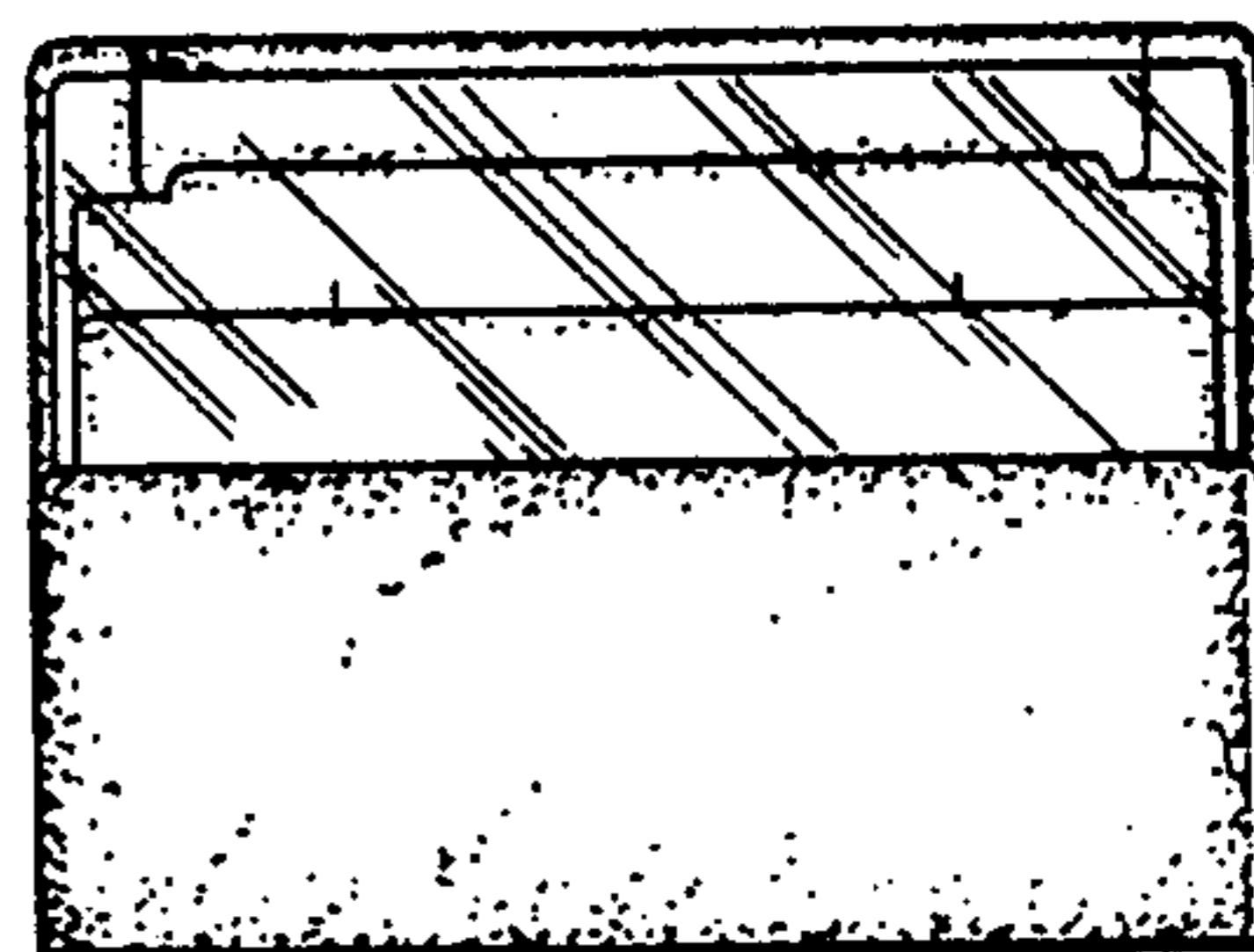


FIG. 2

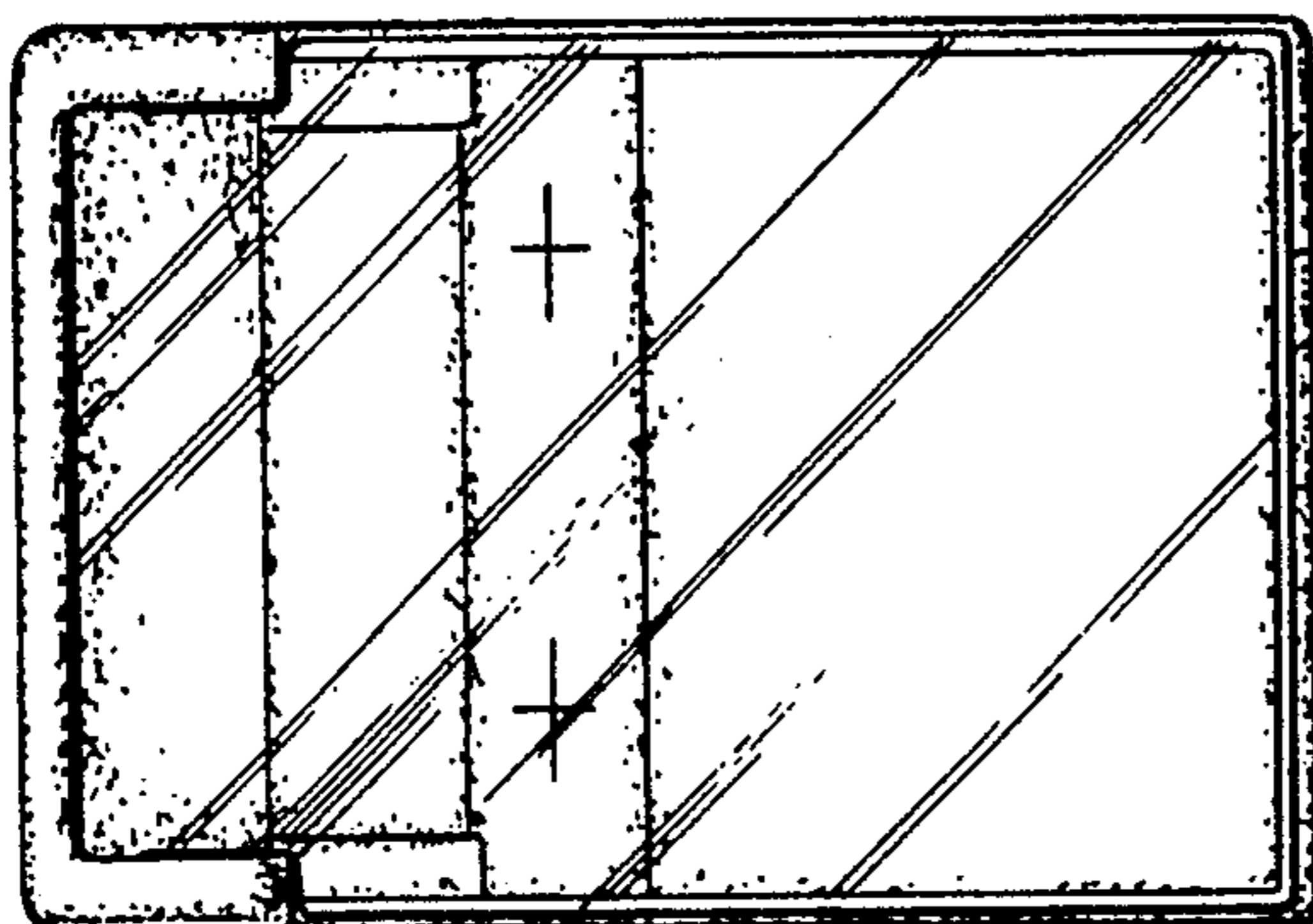


FIG. 3

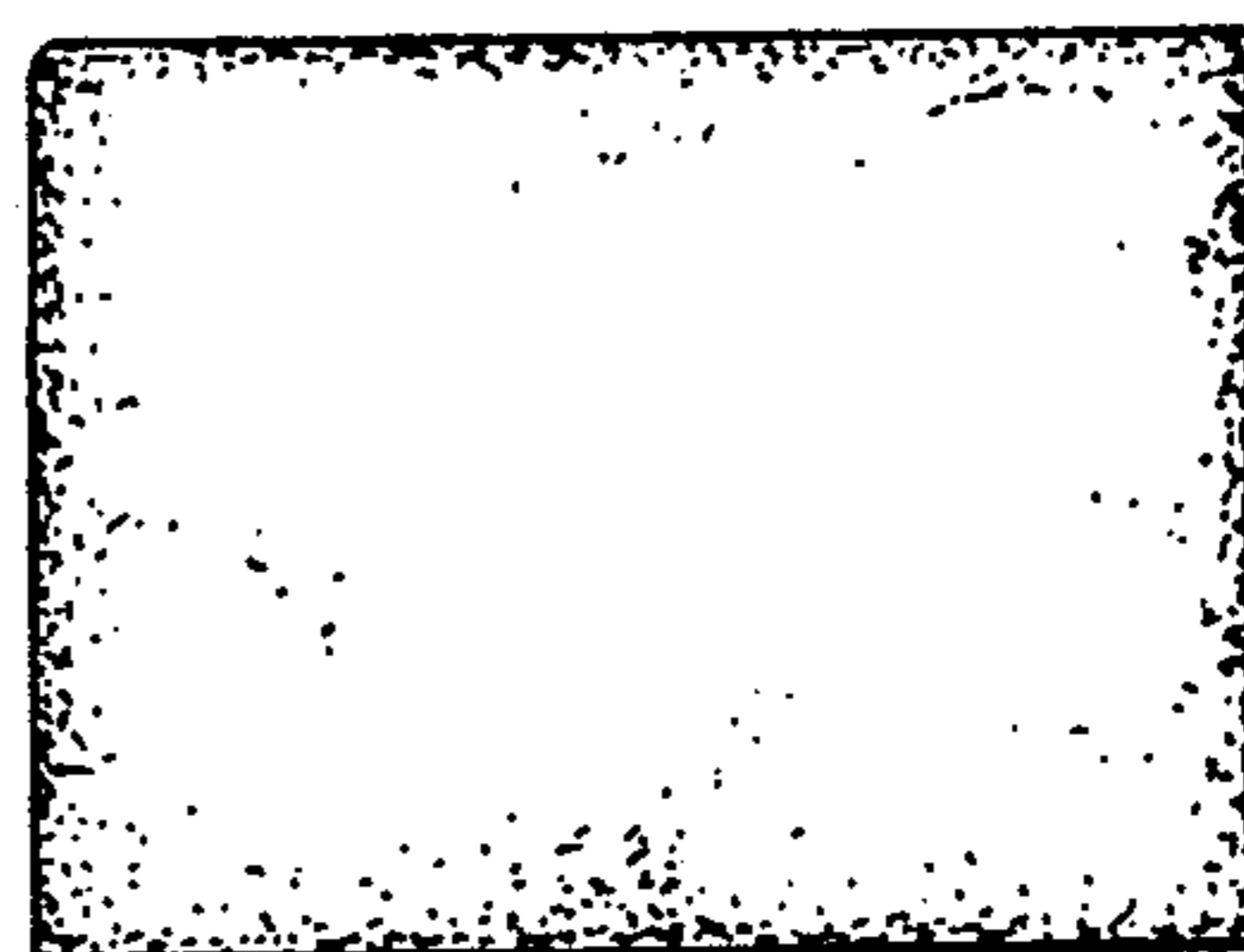


FIG. 4

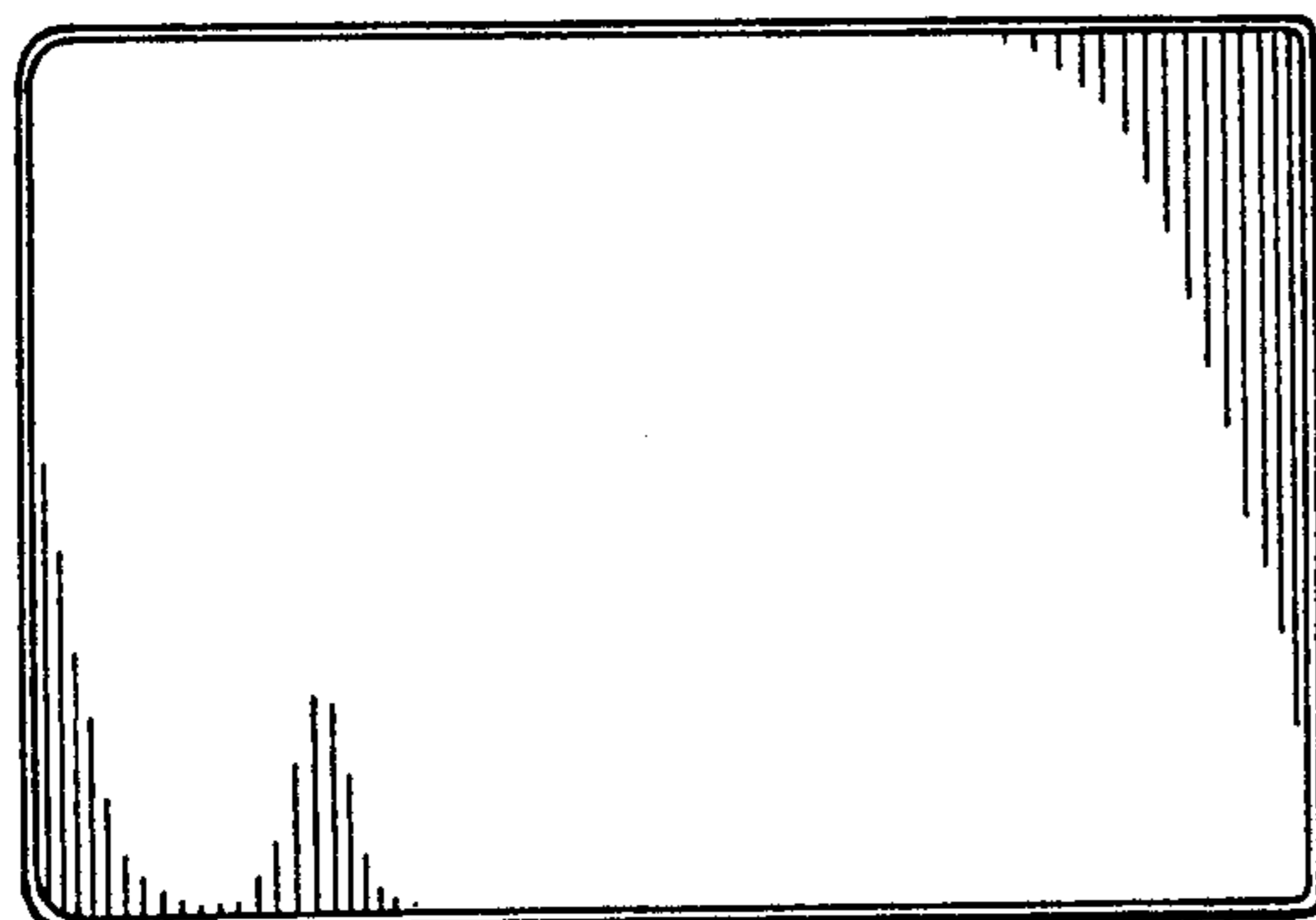


FIG. 5

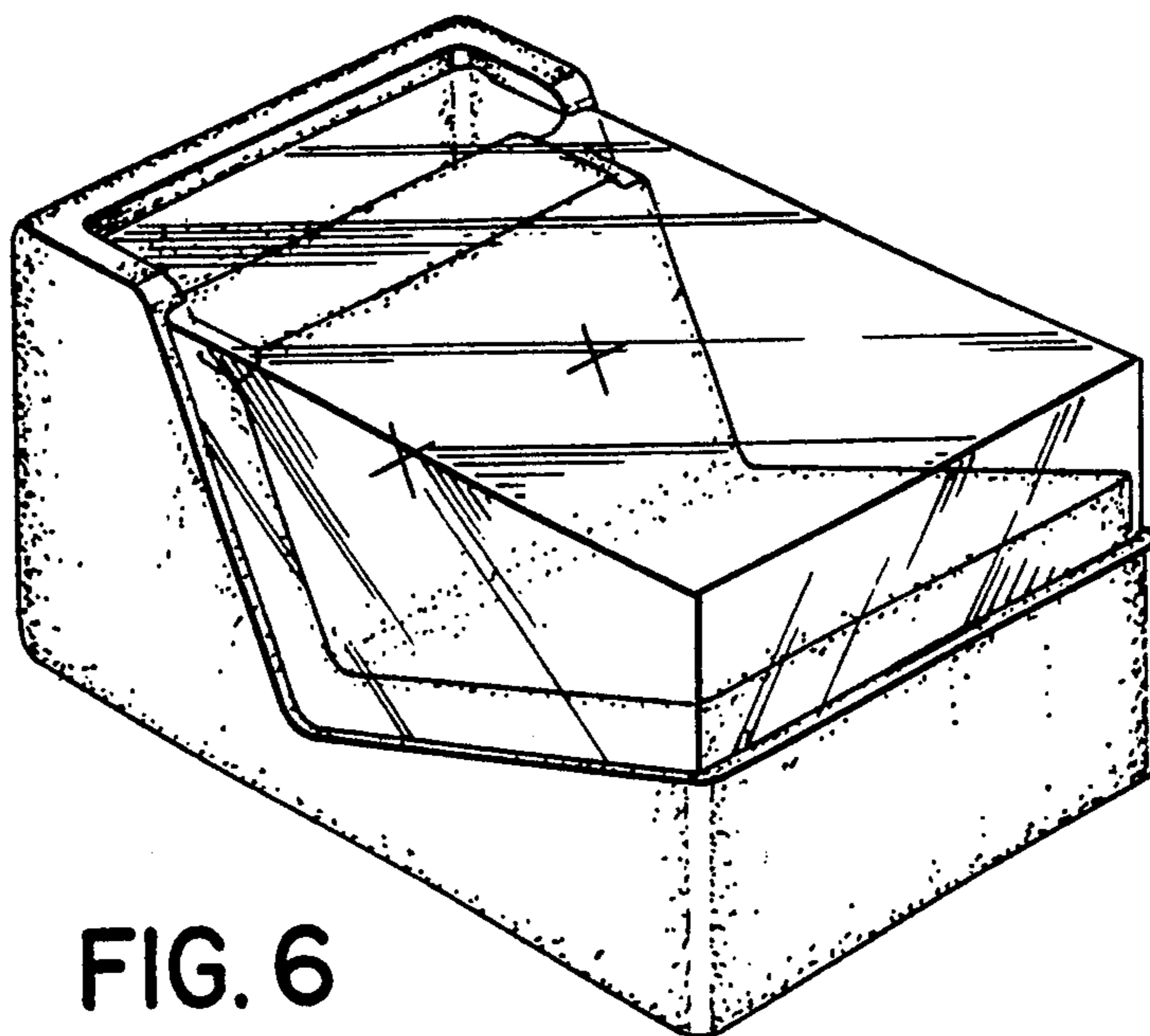


FIG. 6

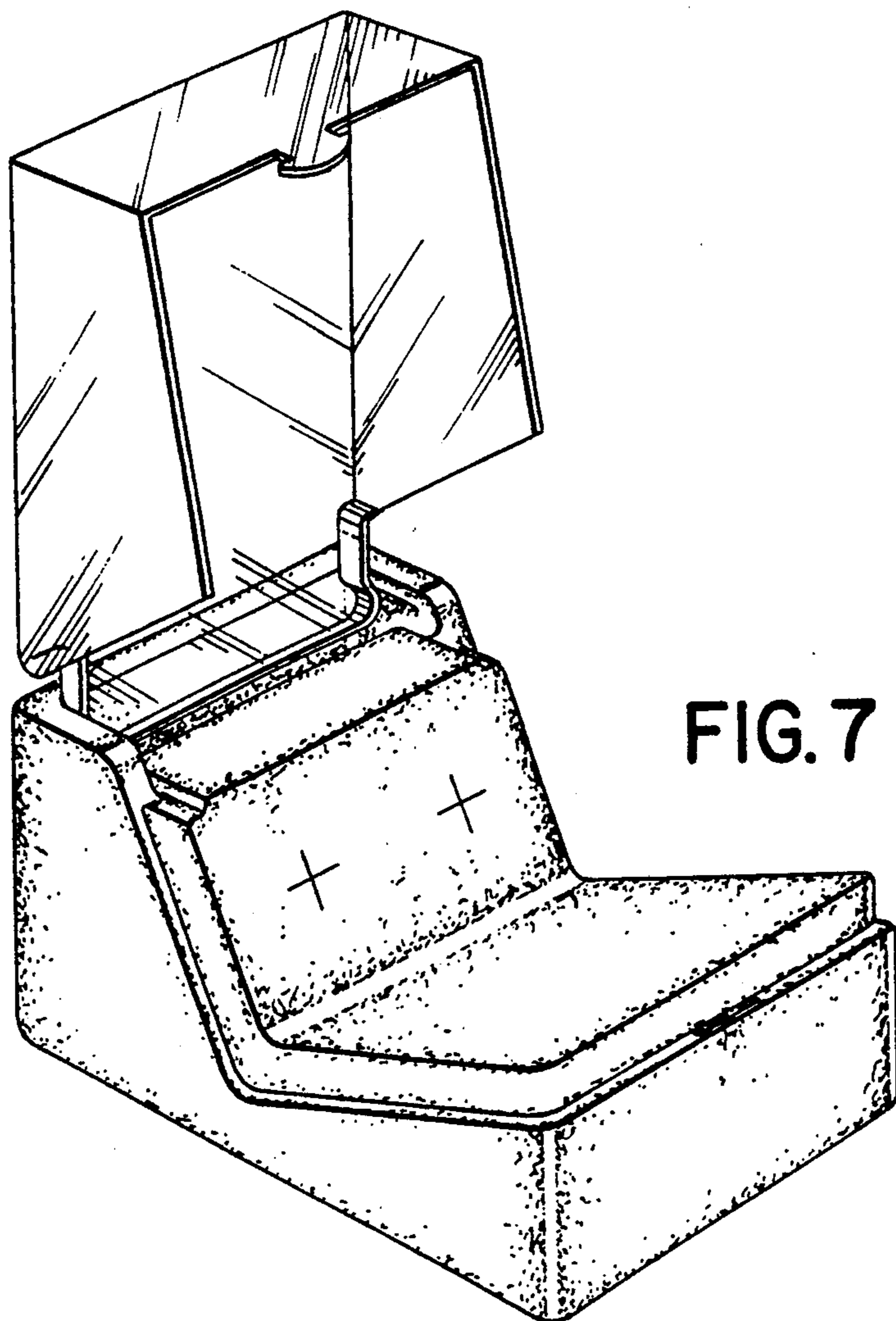


FIG. 7