

[54] SPRAYER BOTTLE

[75] Inventor: Daniel Lami, Brindas, France

[73] Assignee: Etablissements Perras, Villefranche, France

[**] Term: 14 Years

[21] Appl. No.: 281,007

[22] Filed: Dec. 7, 1988

[52] U.S. Cl. D9/300; D9/373

[58] Field of Search D9/300, 301, 375, 396, D9/401, 373; 222/632, 635, 637, 212, 92-94, 335, 385, 405; 239/337, 333, 383

D. 301,836 6/1989 van Lit D9/375
3,474,938 10/1969 Clevenger D9/300
3,721,370 3/1973 Blum 222/385

OTHER PUBLICATIONS

Beauty Fashion; 11/1979; p. 86, Ambush bottle.
Drug and Cosmetic Industry; Oct. 1981; p. 75; Savon
Creme Soap Bottle.

Primary Examiner—B. J. Bullock
Assistant Examiner—Dominic Simone
Attorney, Agent, or Firm—Dowell & Dowell

[57] CLAIM

The ornamental design for a sprayer bottle, as shown.

DESCRIPTION

FIG. 1 is a side elevational view of a sprayer bottle showing my new design, the opposite side being a mirror image.

FIG. 2 is a front elevational view thereof;

FIG. 3 is a top plan view thereof,

FIG. 4 is a rear elevational view thereof.

FIG. 5 is a bottom plan view thereof.

[56] References Cited

U.S. PATENT DOCUMENTS

D. 196,148	8/1963	Sterges	D9/396
D. 224,882	10/1972	Alpern	D9/300
D. 238,656	2/1976	Marco	D9/396
D. 244,008	4/1977	Aeschlimann	D9/300
D. 297,310	8/1988	Mednis	D9/373
D. 298,805	12/1988	Harrison	D9/401

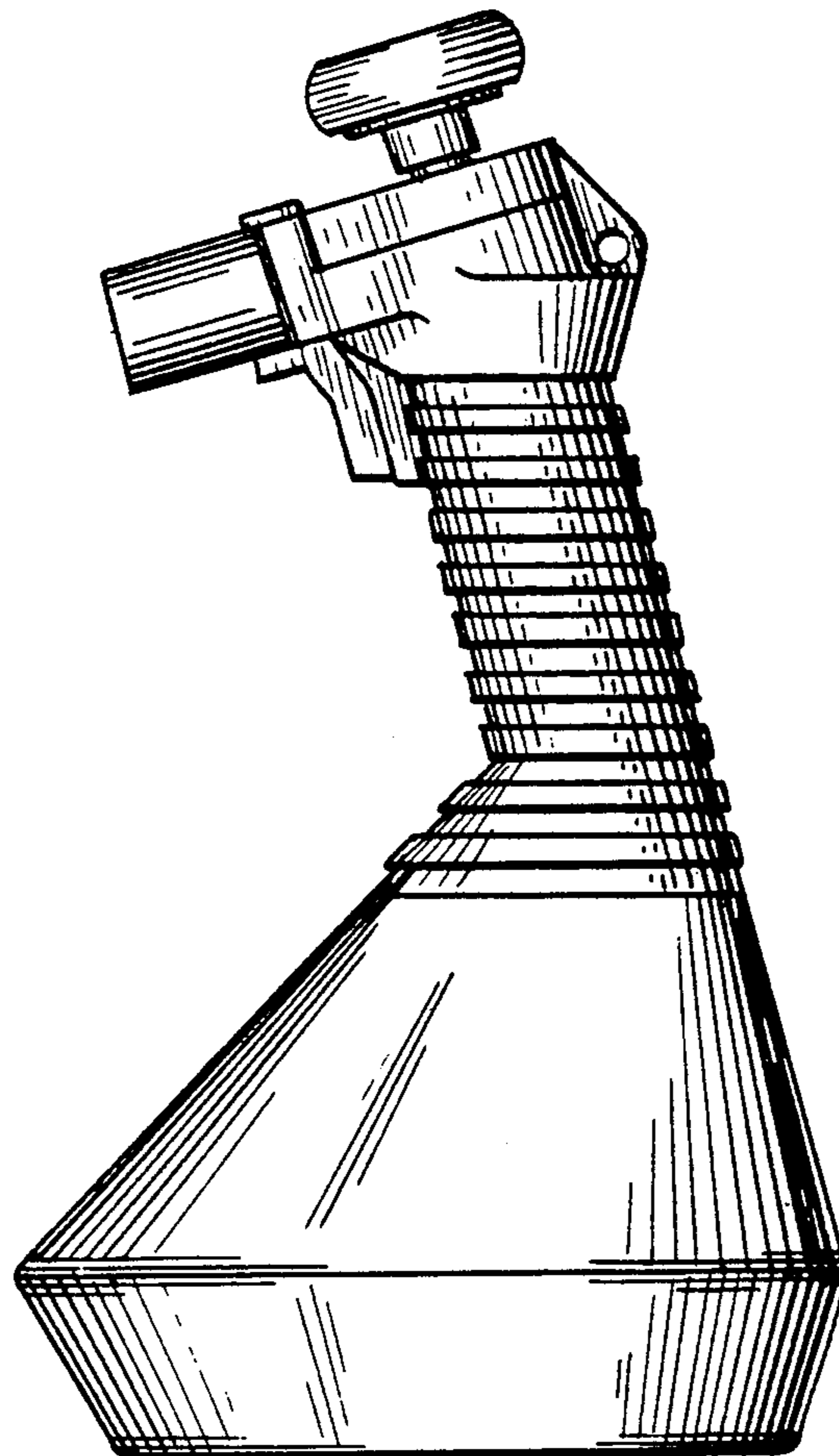


Fig. 1

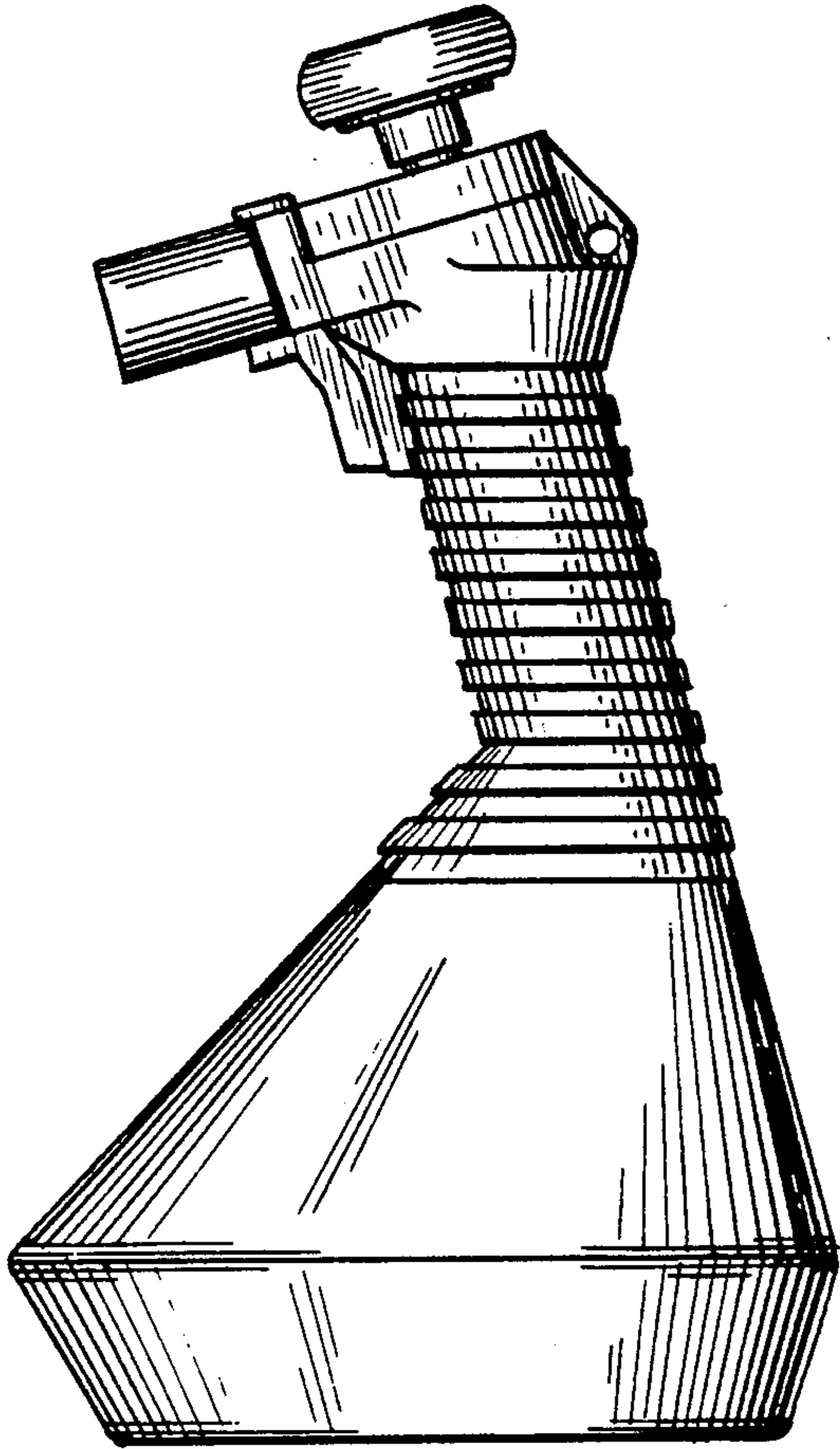


Fig. 2

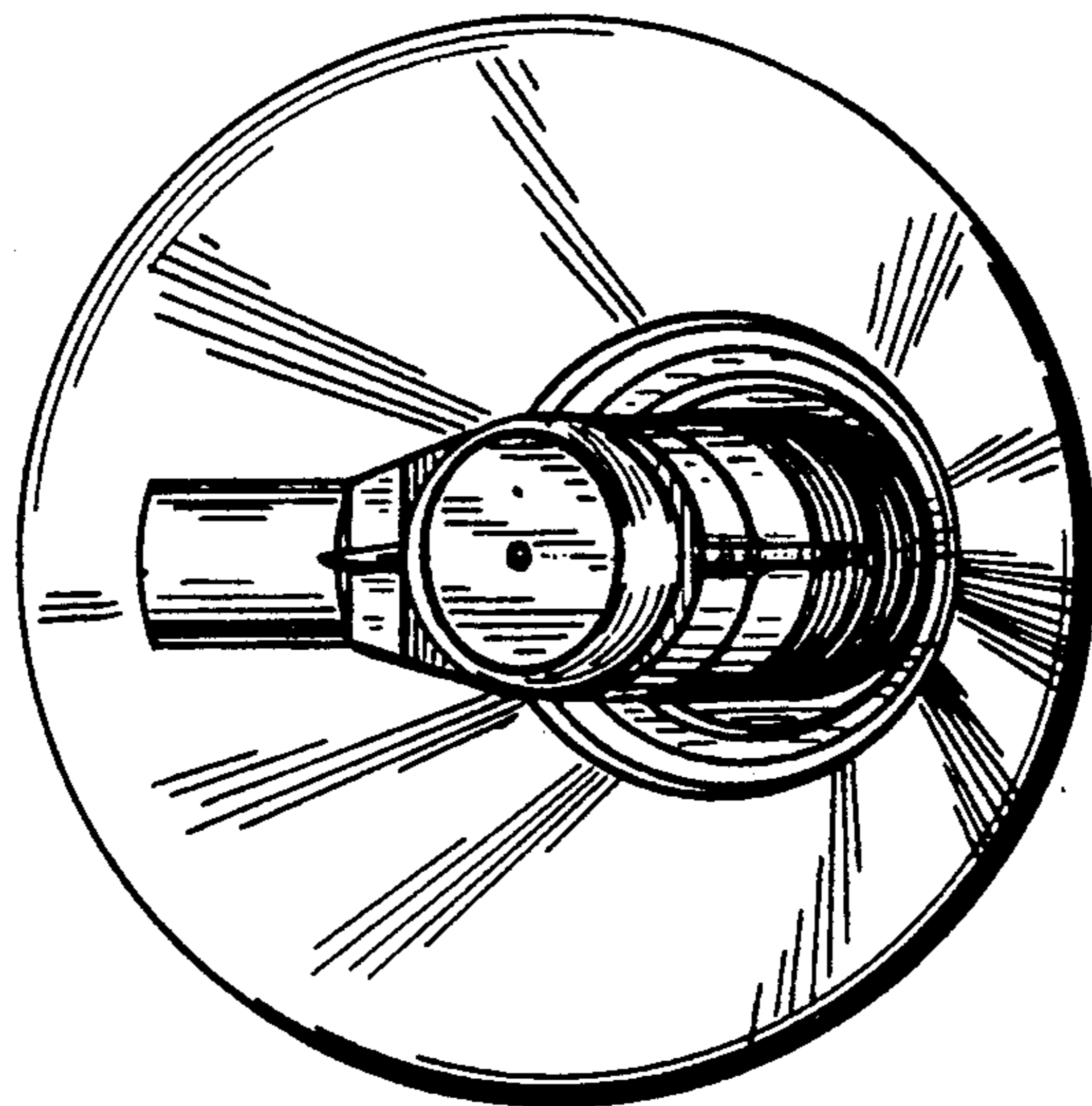
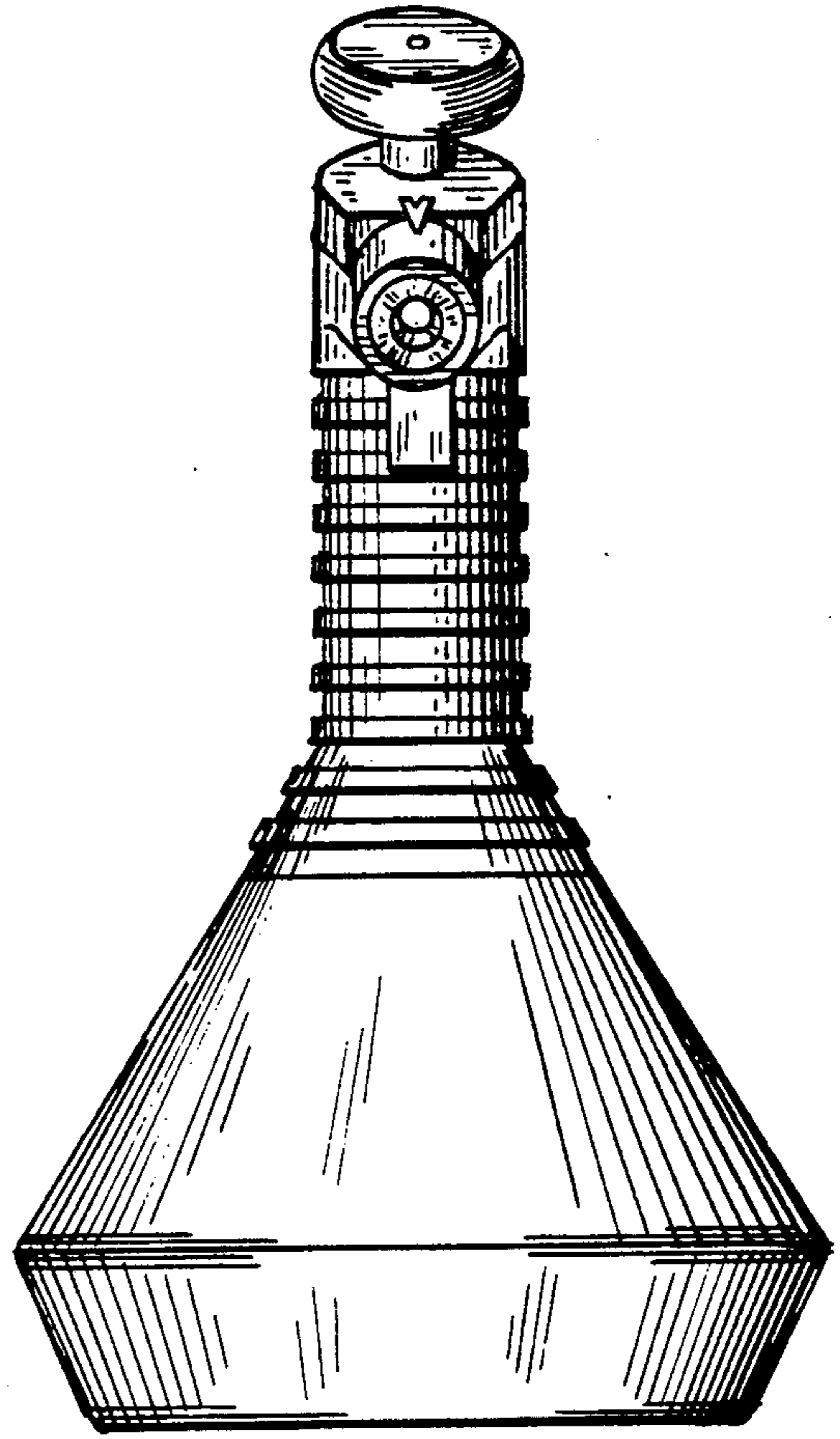


Fig. 3

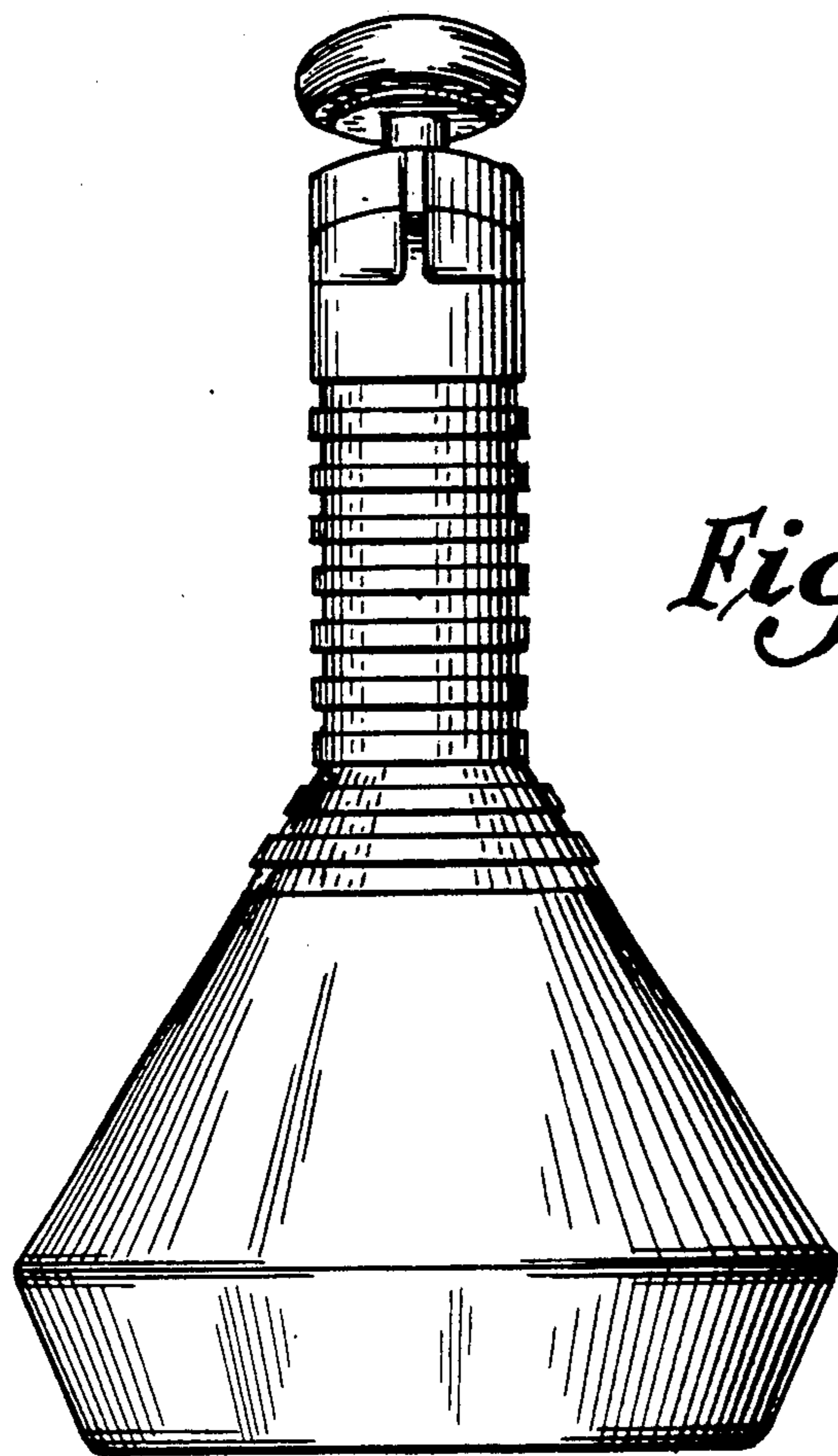


Fig. 4

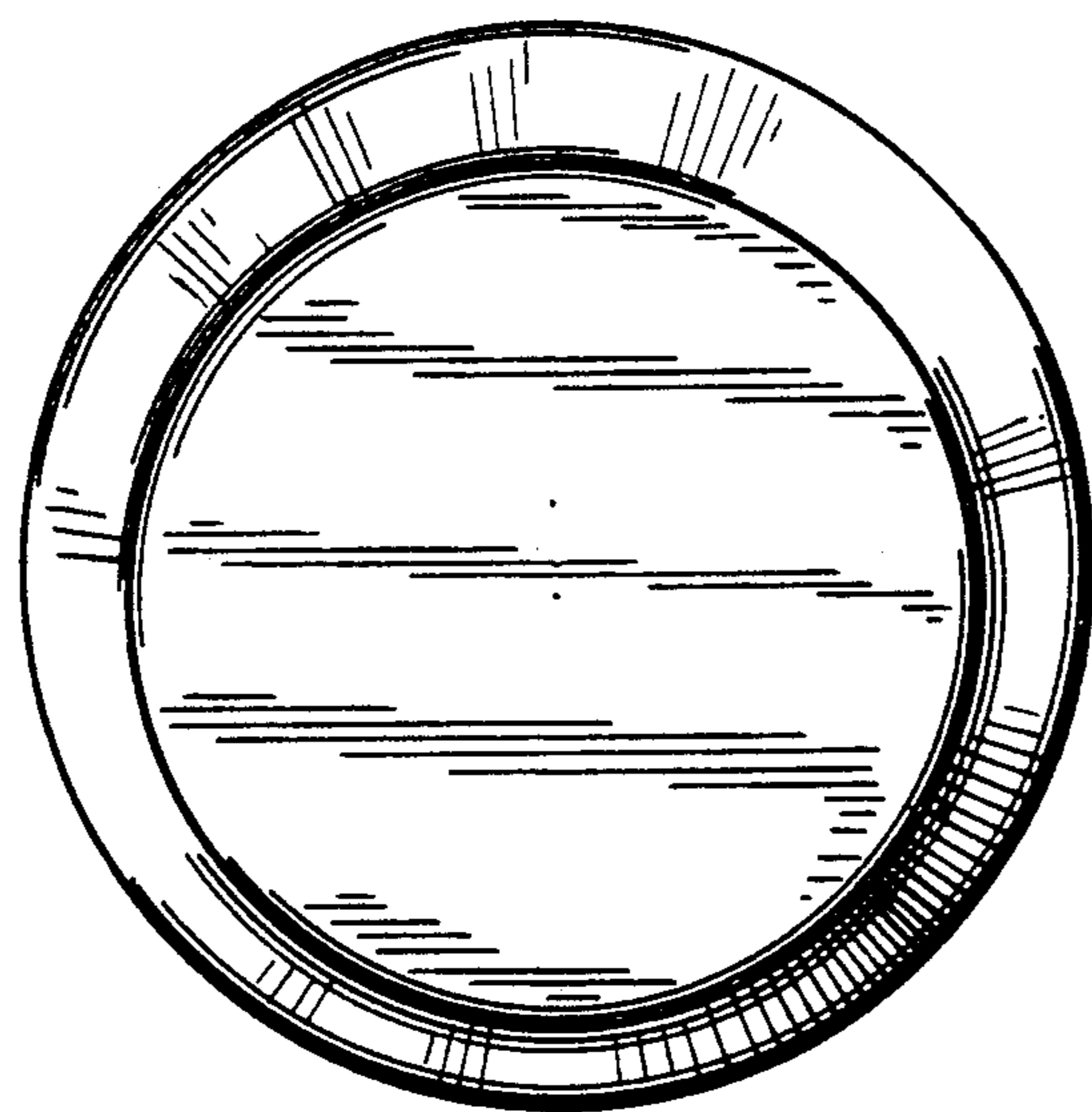


Fig. 5