

[54] TETHER RETAINER FOR SURF BOARDS OR THE LIKE

[75] Inventor: Alan W. Stubbings, Mojave, Calif.

[73] Assignee: John G. Tamborrino, Lancaster, Calif.

[\*\*] Term: 14 Years

[21] Appl. No.: 274,124

[22] Filed: Nov. 21, 1988

[52] U.S. Cl. .... D8/367; D21/230

[58] Field of Search ..... D30/153, 154; 279/1 R, 279/19.5; 220/375; 222/543; D8/373, 354, 349, 400, 367; D21/228, 229, 230

[56] References Cited

U.S. PATENT DOCUMENTS

- D. 161,799 1/1950 Sprung ..... D8/356
- D. 205,010 6/1966 Swendsen ..... D8/356
- D. 207,423 4/1967 Pick ..... D8/367
- D. 215,405 9/1969 Patnaude ..... D8/371 X

- D. 259,699 6/1981 Hughes ..... D8/367
- D. 300,507 4/1989 Rabb ..... D8/367

Primary Examiner—Susan J. Lucas  
Assistant Examiner—Holly H. Baynham  
Attorney, Agent, or Firm—Kelly Bauersfeld & Lowry

[57] CLAIM

The ornamental design for a tether retainer for surf boards or the like, as shown and described.

DESCRIPTION

FIG. 1 is a perspective view of a tether retainer, for surf boards or the like embodying the new design, and showing the top, right and rear sides thereof, the dotted line depiction of a knee board being for illustrative purposes only;

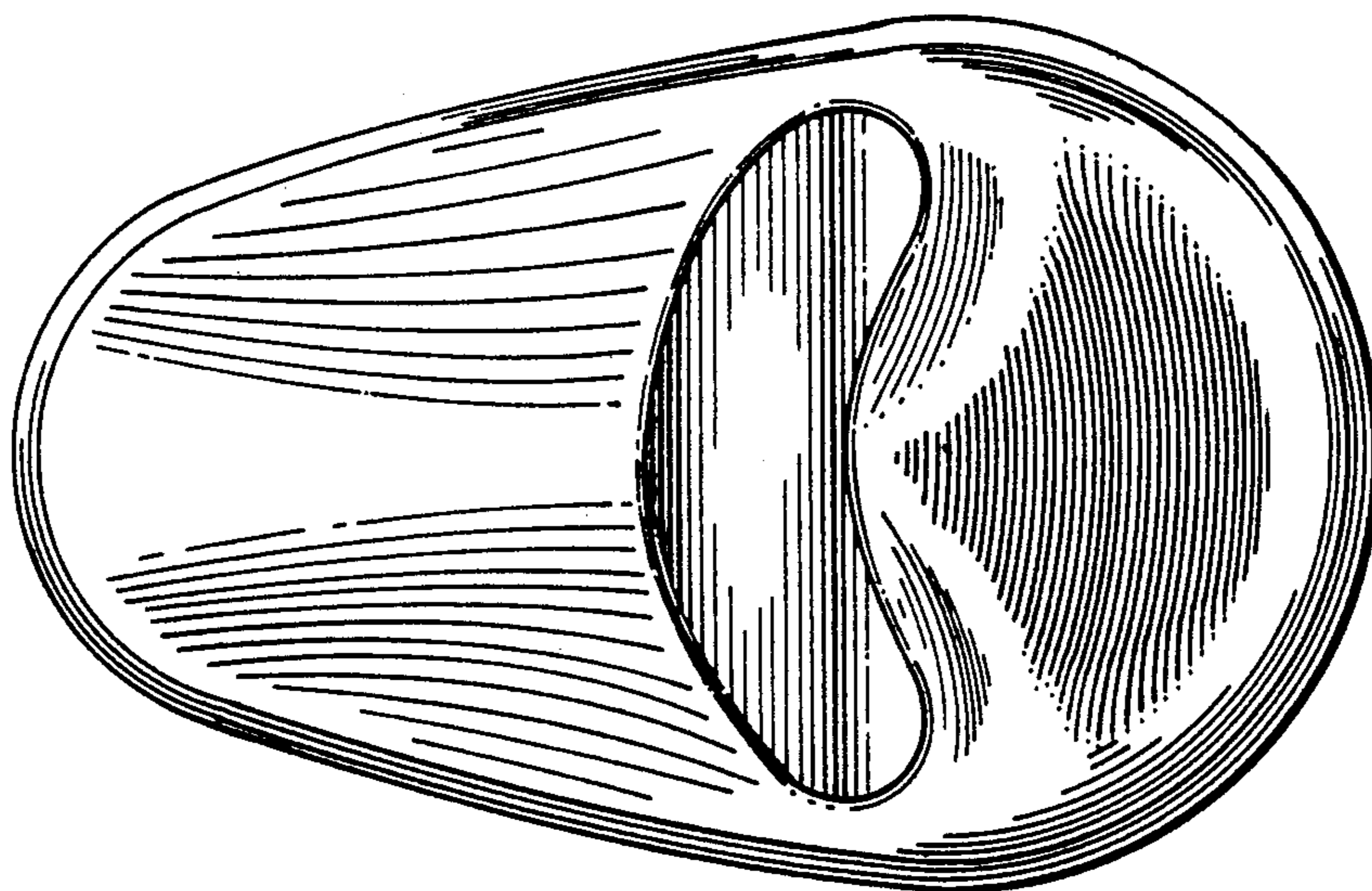
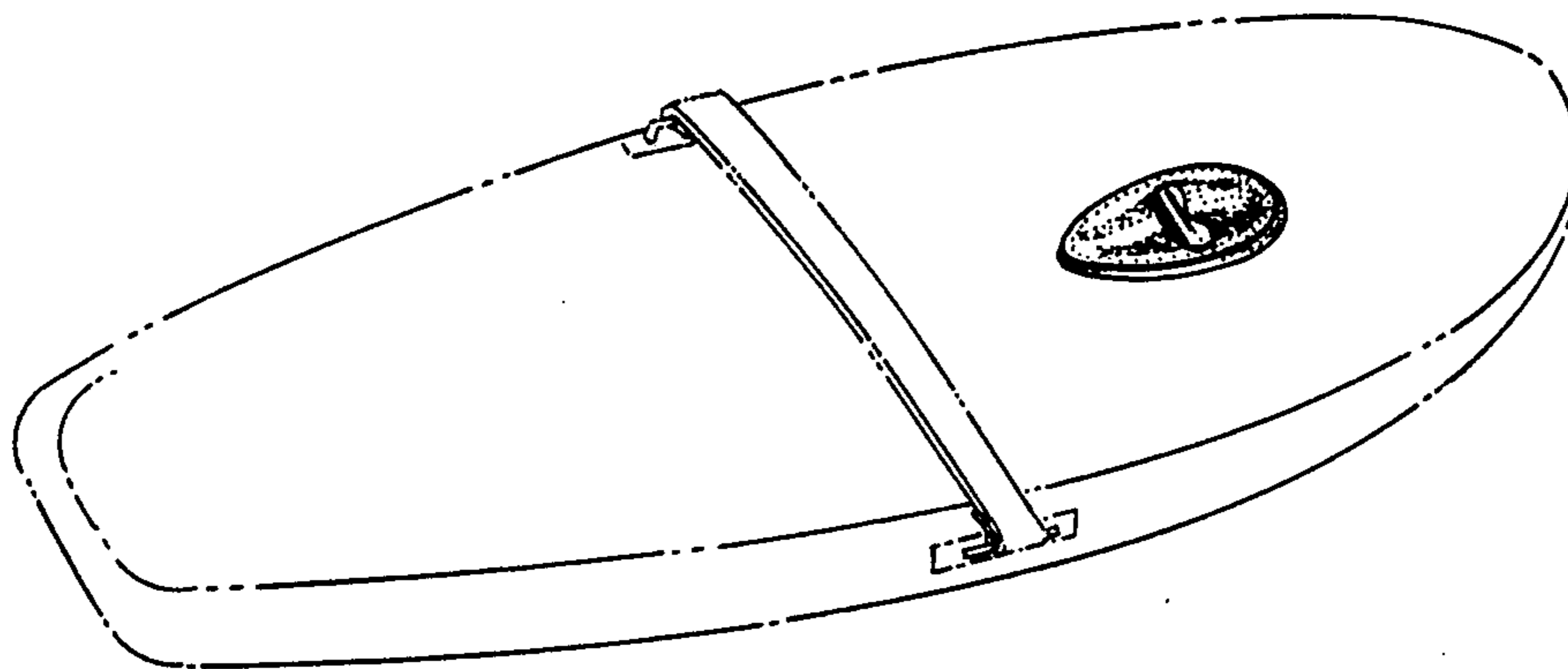
FIG. 2 is top plan view thereof;

FIG. 3 is a right side elevational view thereof, the left side being a mirror image of the right side as shown;

FIG. 4 is a front elevational view thereof;

FIG. 5 is a rear elevational view thereof; and

FIG. 6 is a bottom plan view thereof;



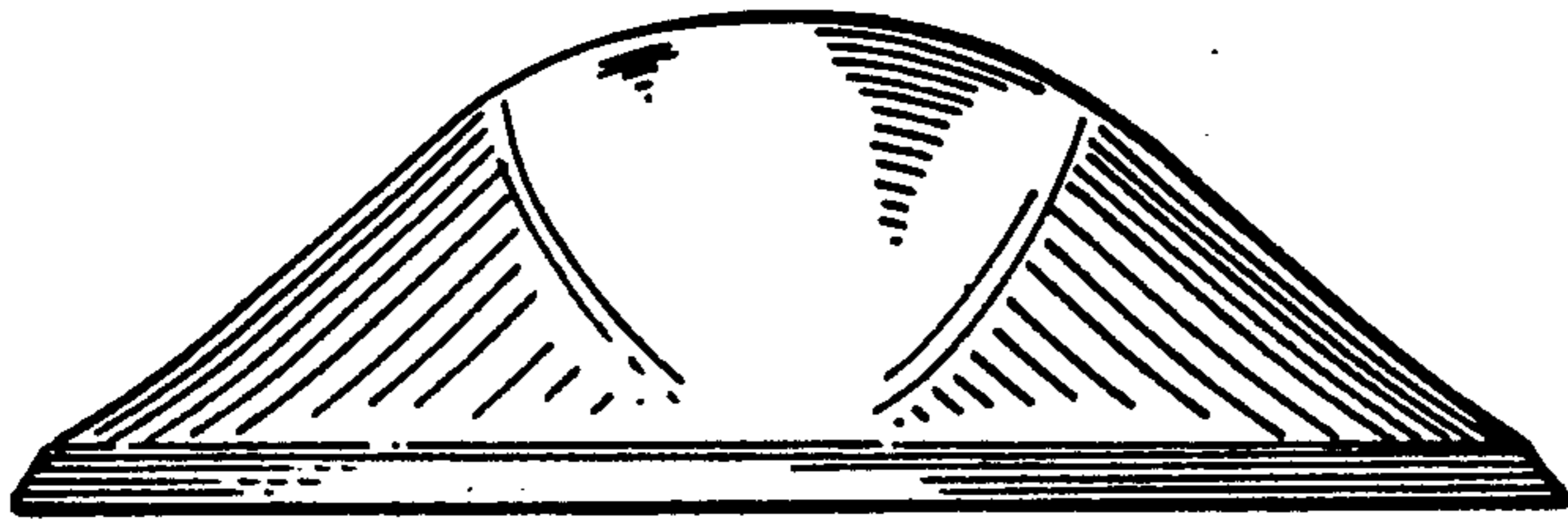


FIG. 4

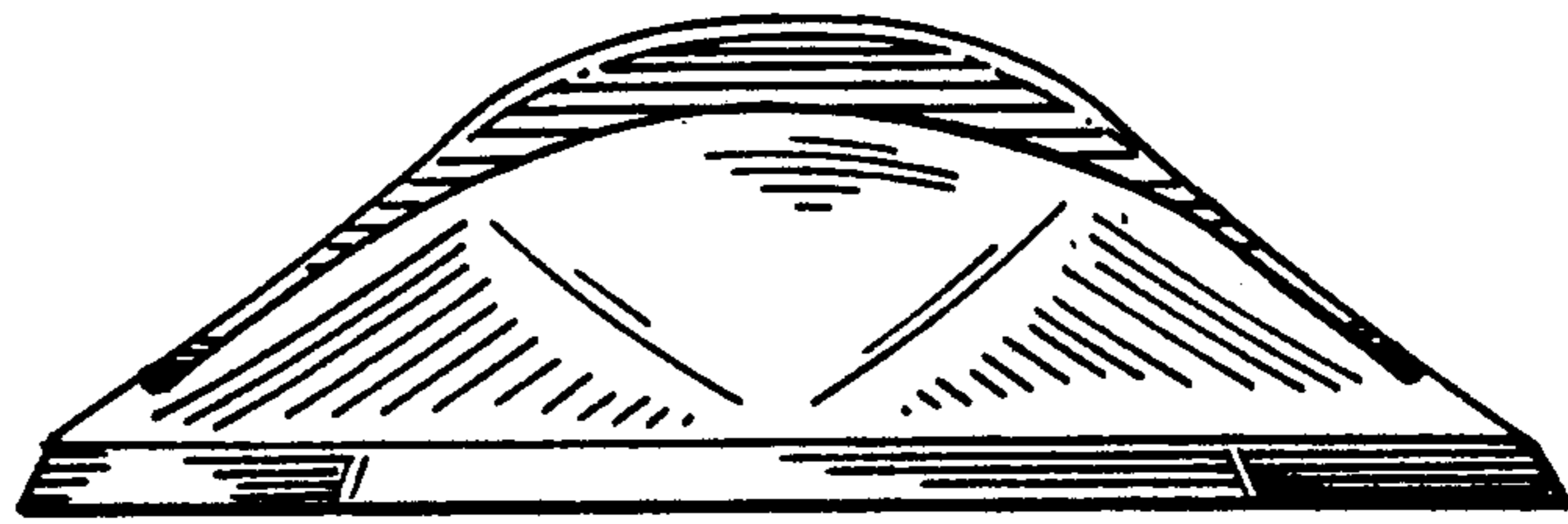


FIG. 5

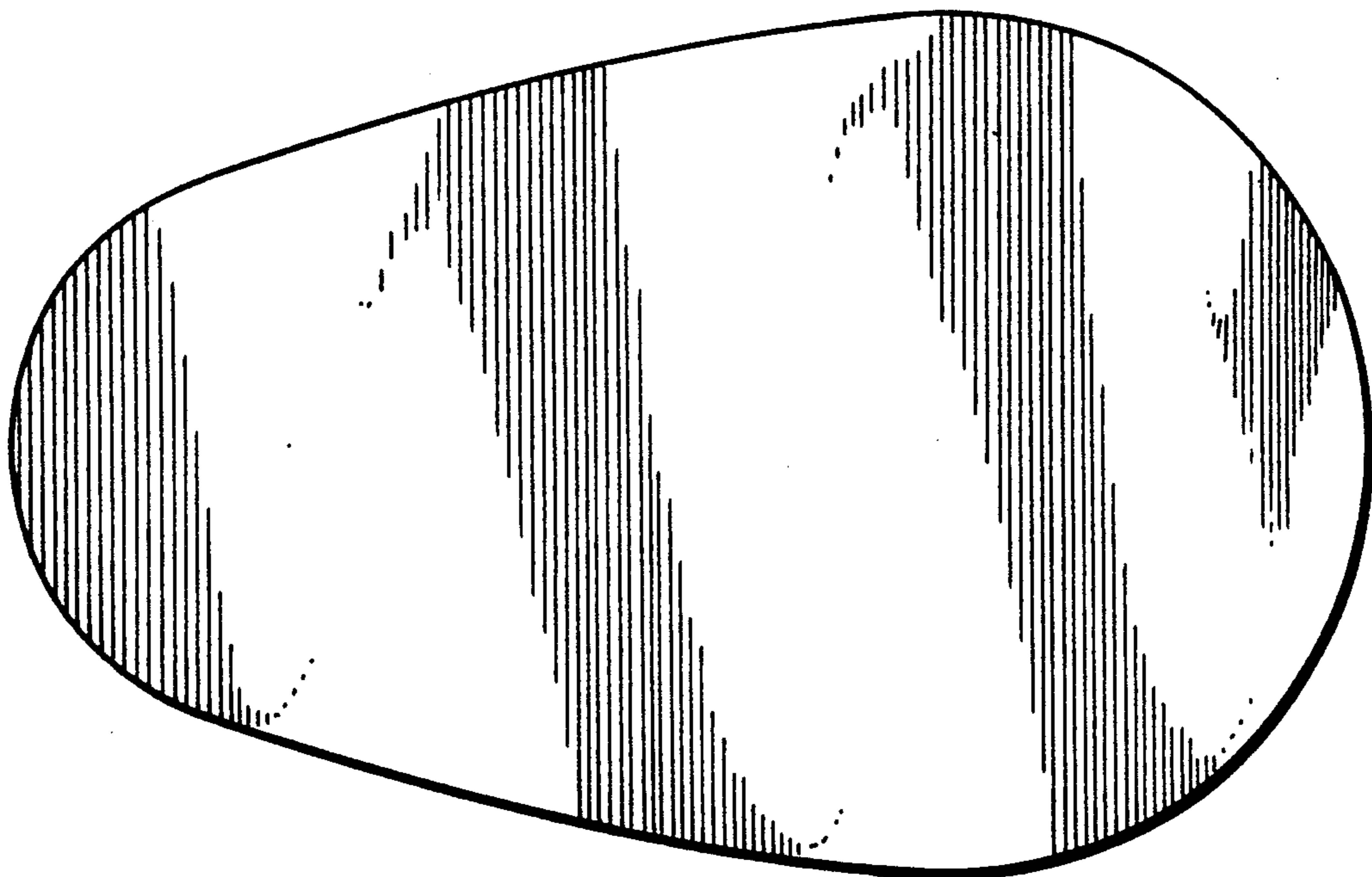


FIG. 6

FIG. 1

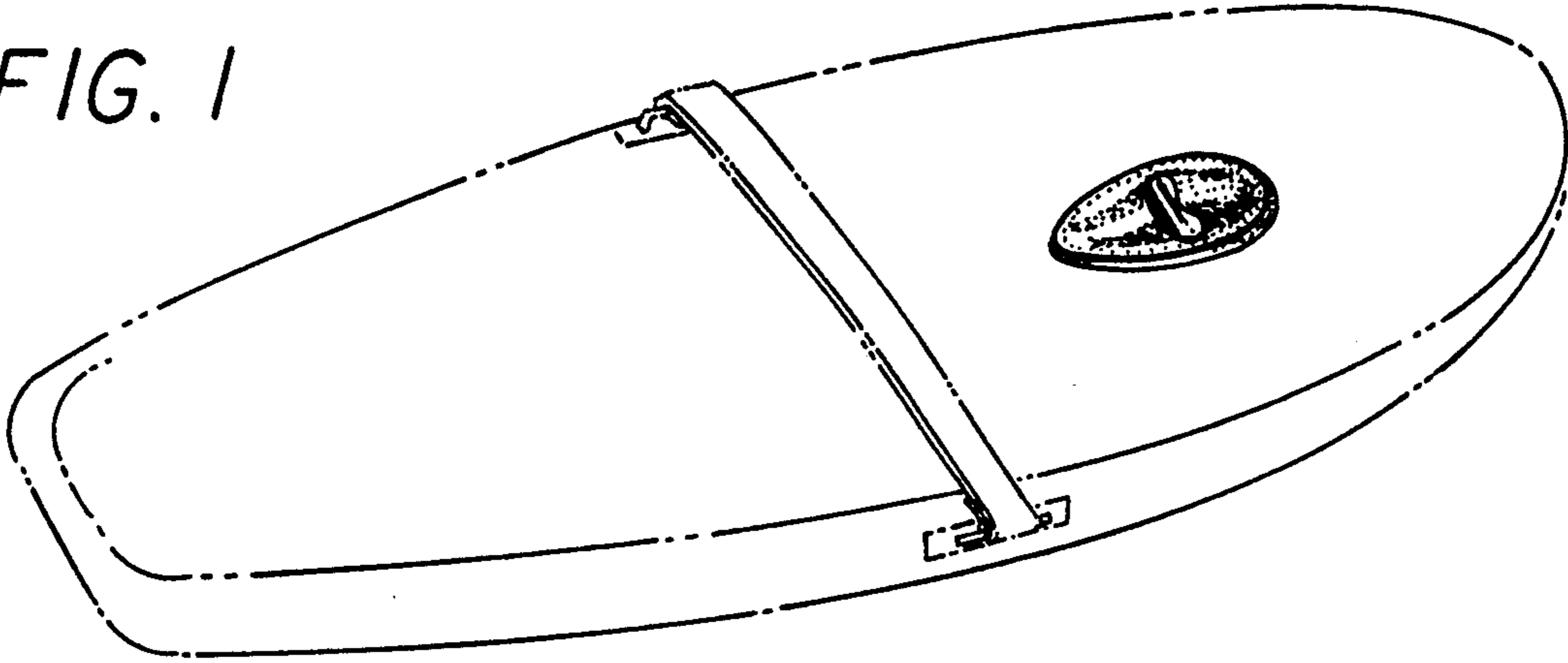


FIG. 2

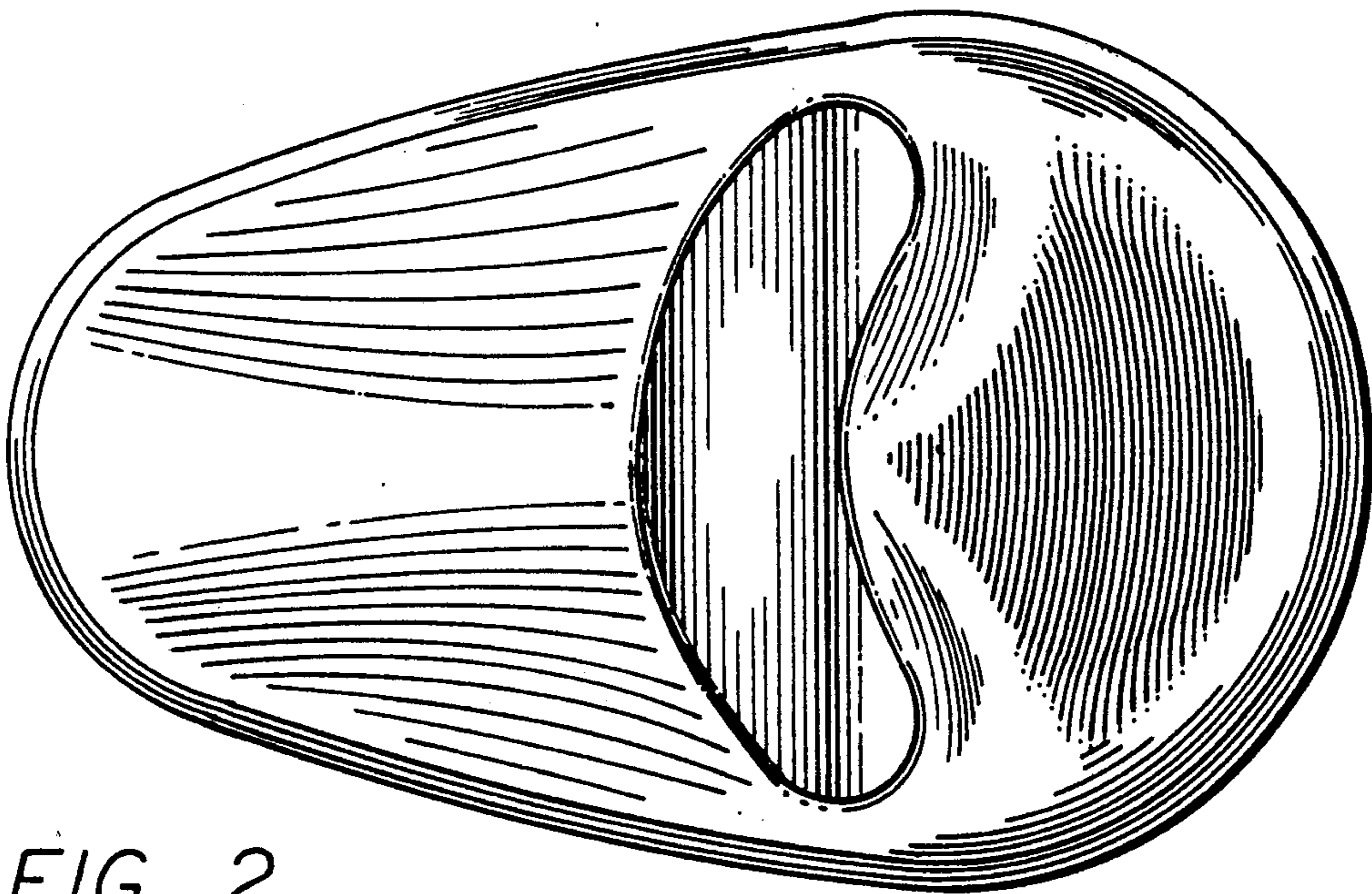


FIG. 3

