

[54] **GROMMET**

[75] **Inventor: Ronald Simonton, Stonington, Conn.**

[73] **Assignee: Herman Miller, Inc., Zeeland, Mich.**

[\*\*] **Term: 14 Years**

[21] **Appl. No.: 461,799**

[22] **Filed: Jan. 8, 1990**

[52] **U.S. Cl. .... D8/356**

[58] **Field of Search ..... D8/350, 352, 356, 354, D8/349, 384; 24/713, 713.6; 248/56; 16/2**

[56] **References Cited**

**U.S. PATENT DOCUMENTS**

D. 276,311	11/1984	Cournoyer	.....	D8/356
1,786,823	12/1930	Carrington et al.	.	
3,000,682	9/1961	Loew et al.	.	
3,787,605	1/1974	Van Gessel et al.	.	
4,163,572	8/1979	Benscoter	.	
4,163,867	8/1979	Breidenbach	.	
4,323,291	4/1982	Ball	.	
4,366,341	12/1982	van Riet	.	
4,520,976	6/1985	Cournoyer	.....	248/56
4,681,378	7/1987	Hellman, III	.	
4,730,363	3/1988	Asbaghi	.....	16/2
4,828,513	5/1989	Morrison et al.	.	

**FOREIGN PATENT DOCUMENTS**

2117471	10/1983	United Kingdom	.....	248/56
---------	---------	----------------	-------	--------

*Primary Examiner*—Wallace R. Burke

*Assistant Examiner*—Holly H. Baynham  
*Attorney, Agent, or Firm*—Varnum, Riddering, Schmidt & Howlett

[57] **CLAIM**

The ornamental design for a grommet, as shown and described herein.

**DESCRIPTION**

FIG. 1 is a top perspective view of a grommet showing my new design with a pivoting wire access member thereof in a raised position;

FIG. 2 is a top plan view thereof with a pivoting wire access member in a lowered position;

FIG. 3 is a top plan view thereof with a pivoting wire access member in a raised position;

FIG. 4 is a bottom plan view thereof with a pivoting wire access member in a lowered position;

FIG. 5 is a front elevational view thereof with a pivoting wire access member in a lowered position;

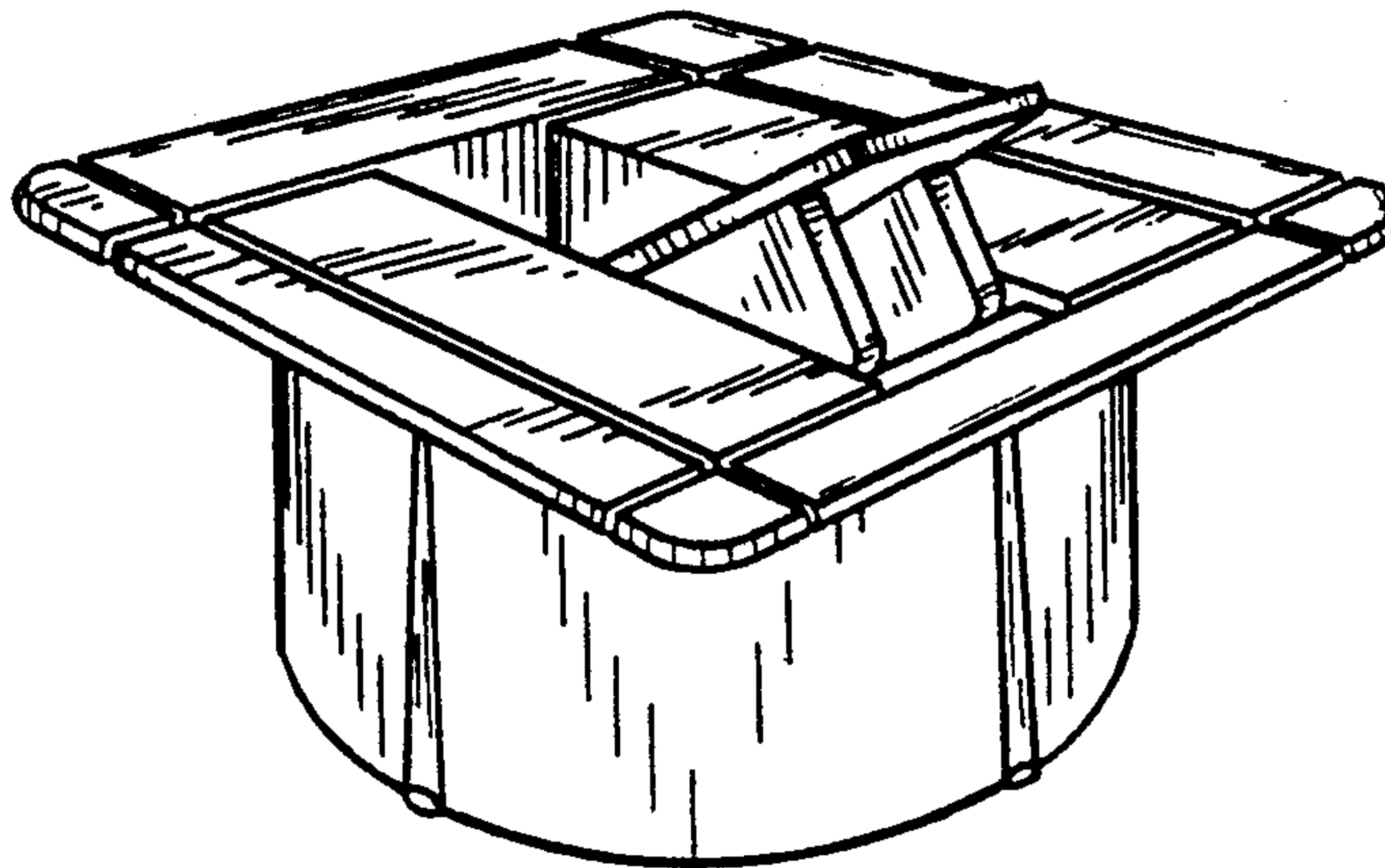
FIG. 6 is a front elevational view thereof with a pivoting wire access member in a raised position;

FIG. 7 is a rear elevational view thereof with a pivoting wire access member in a lowered position;

FIG. 8 is a rear elevational view thereof with a pivoting wire access member in a raised position;

FIG. 9 is a right side elevational view thereof with a pivoting wire access member in a lowered position and the left side being a mirror image of FIG. 9; and

FIG. 10 is a right side elevational view thereof with the pivoting wire access member in a raised position and the left view being a mirror image of FIG. 10.



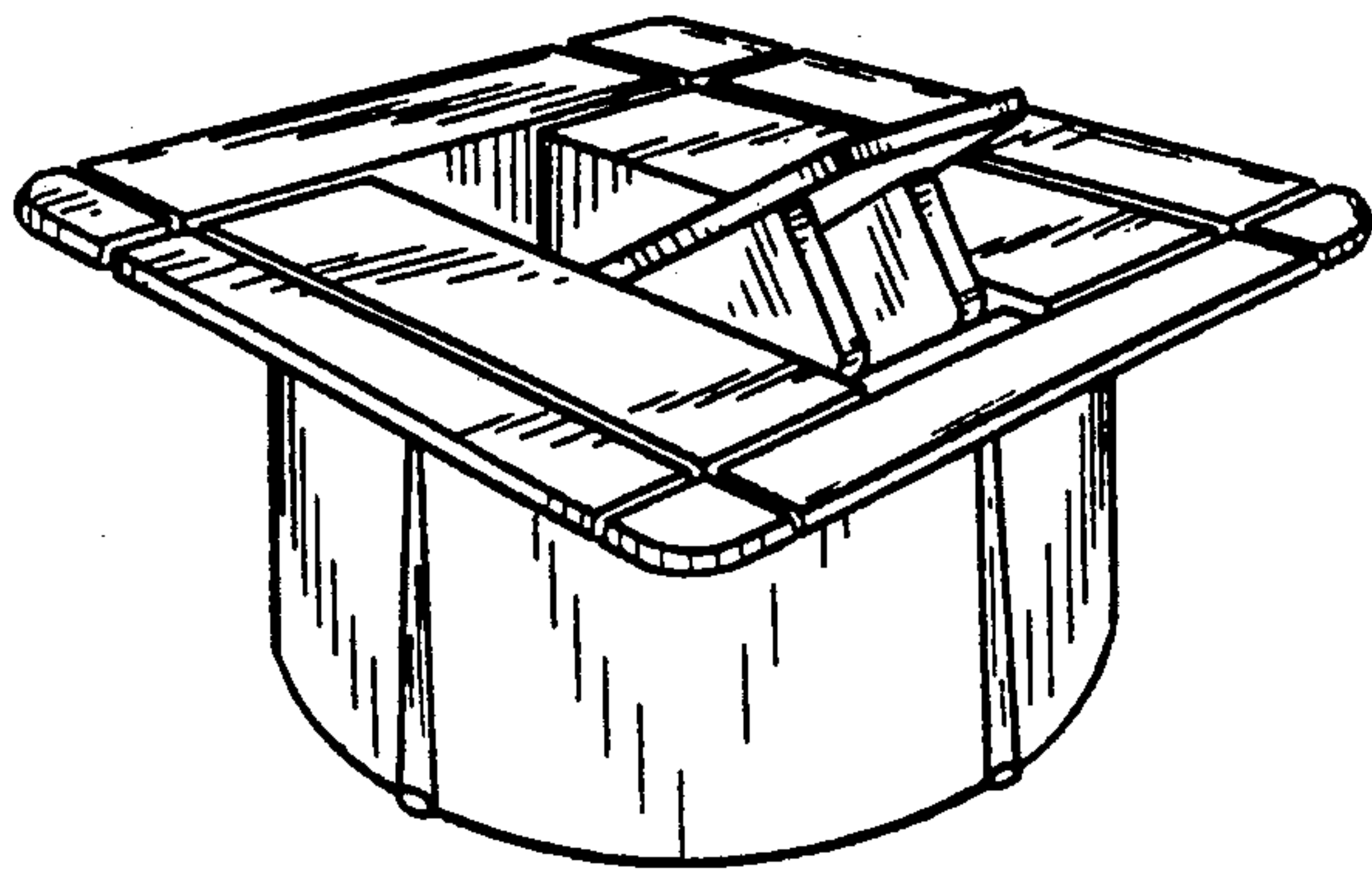


FIG. 1

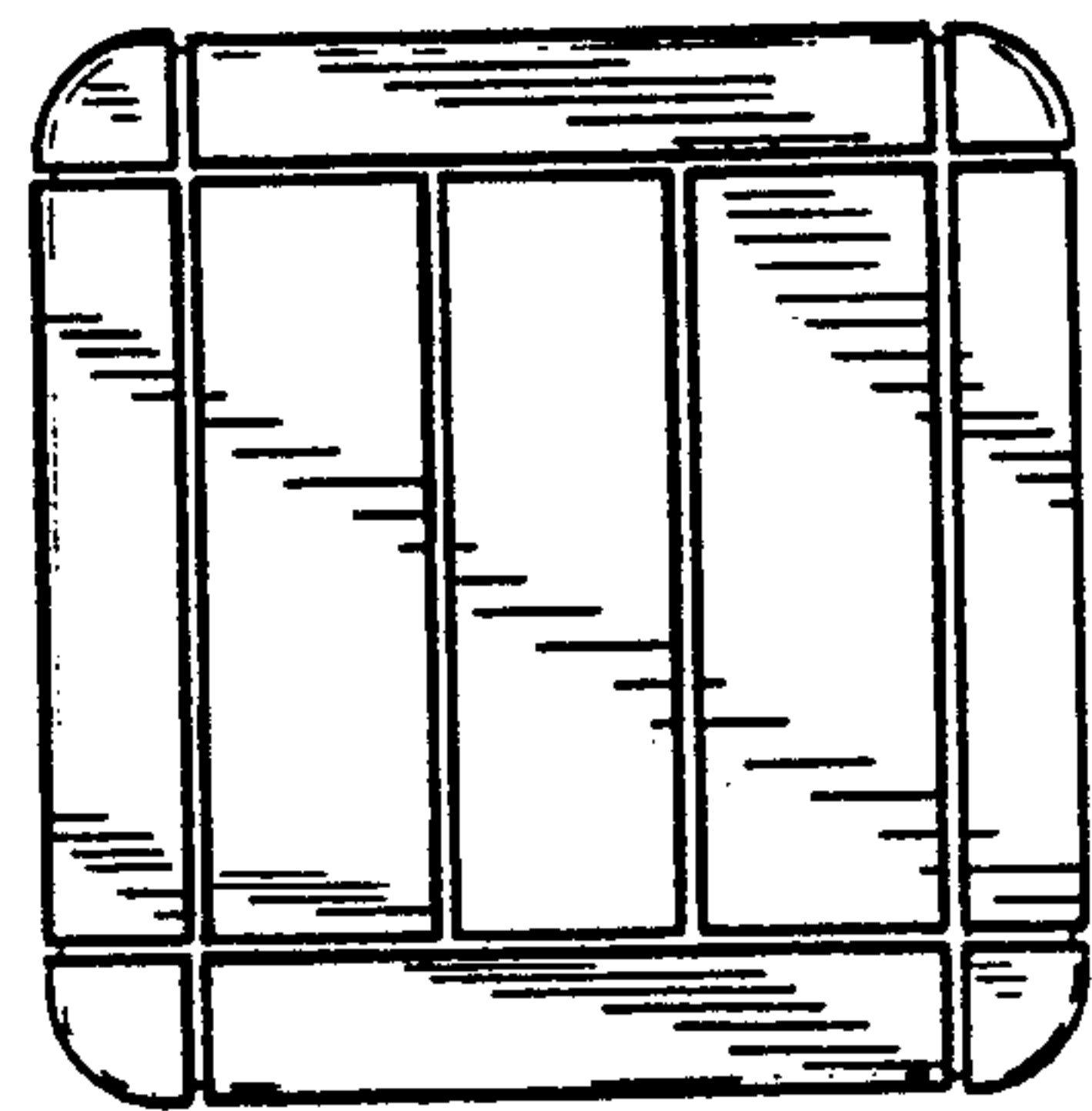


FIG. 2

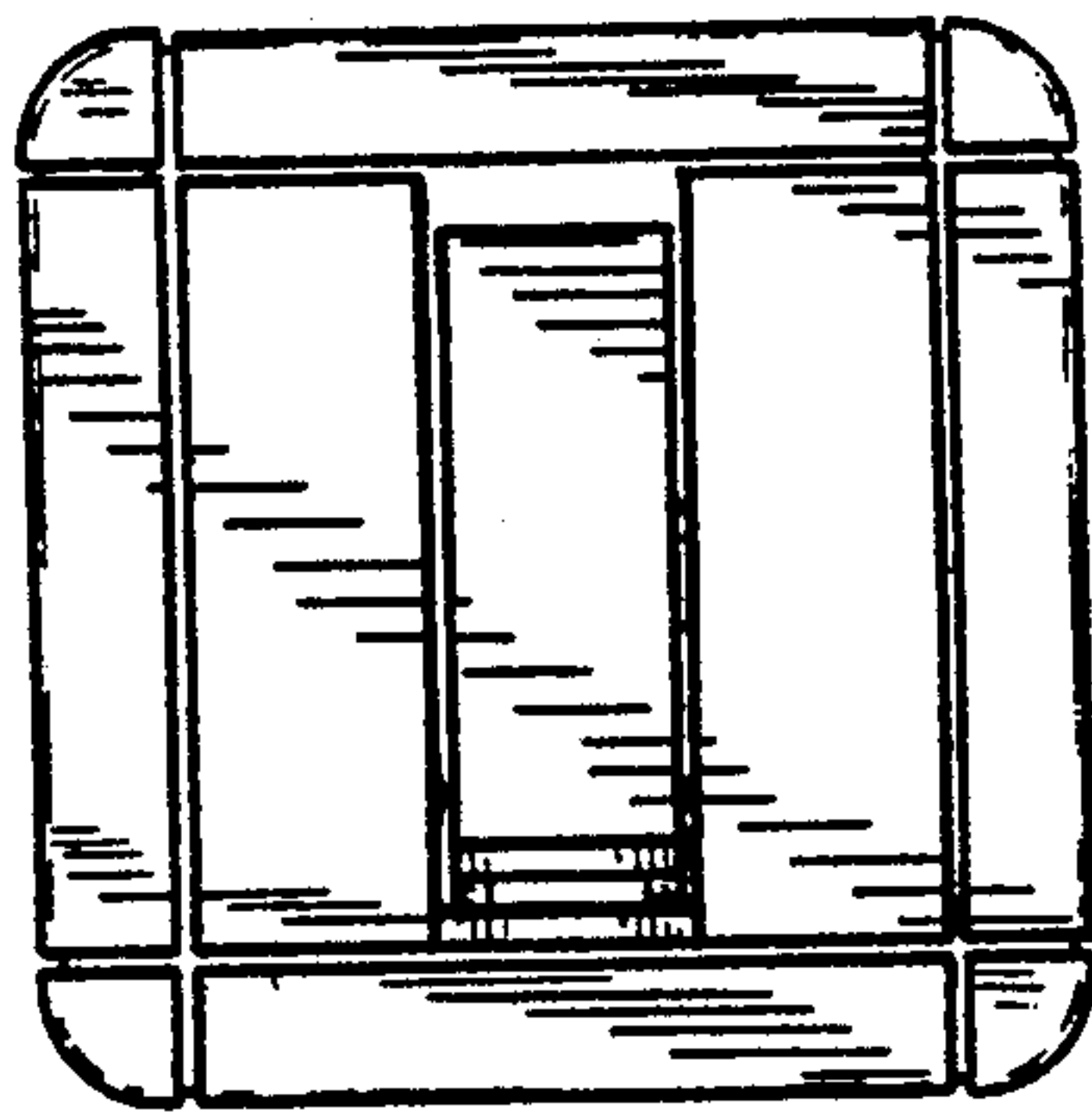


FIG. 3

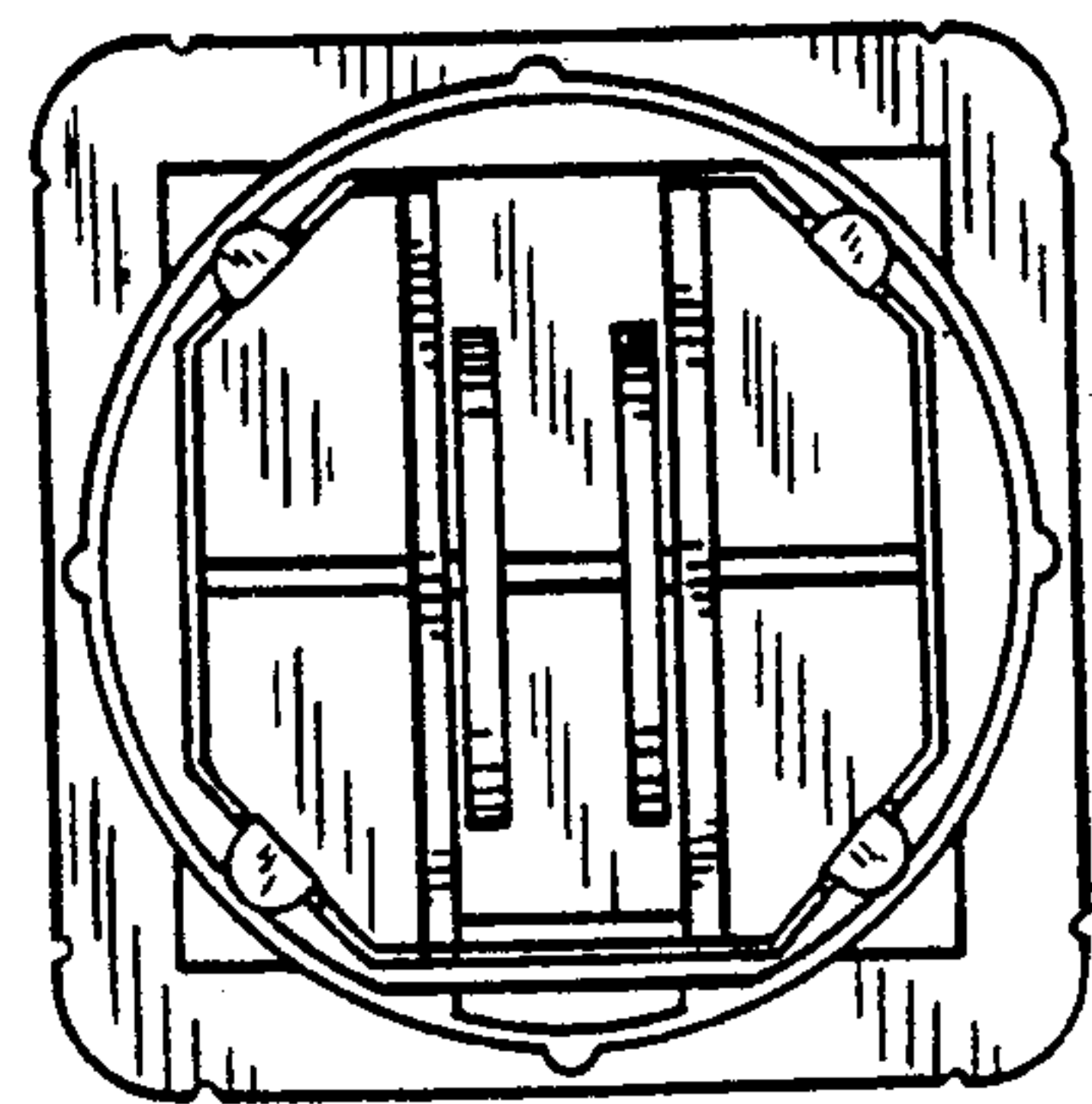


FIG. 4

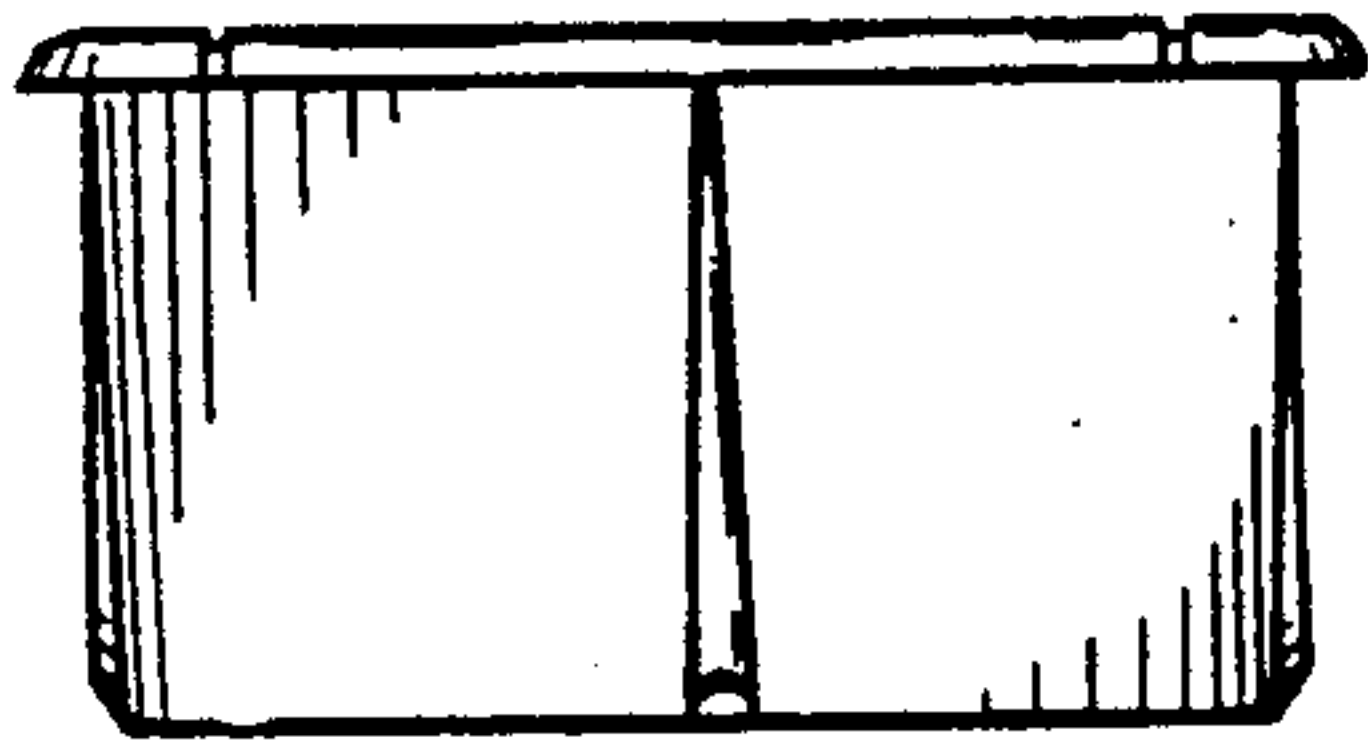


FIG. 5

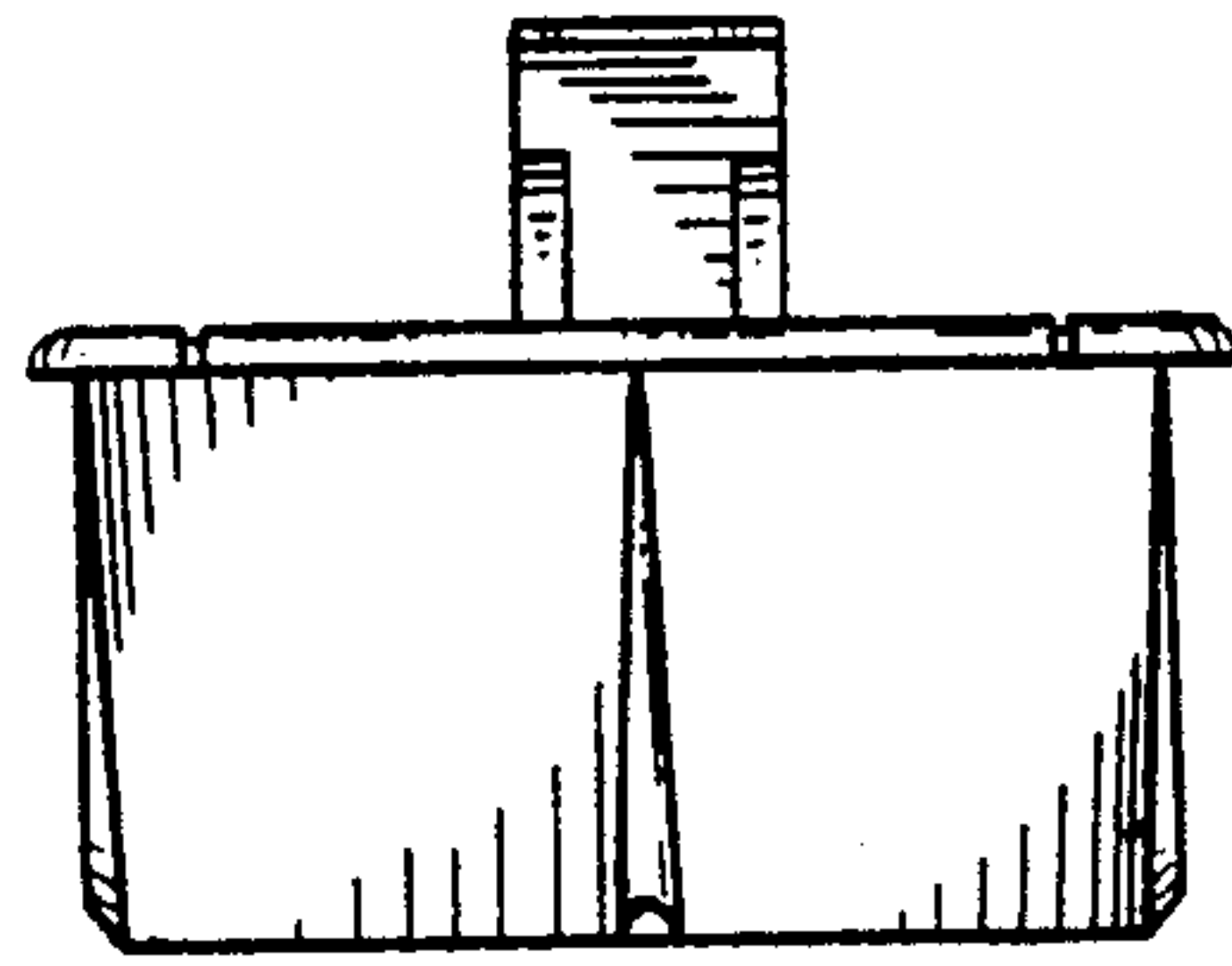


FIG. 6

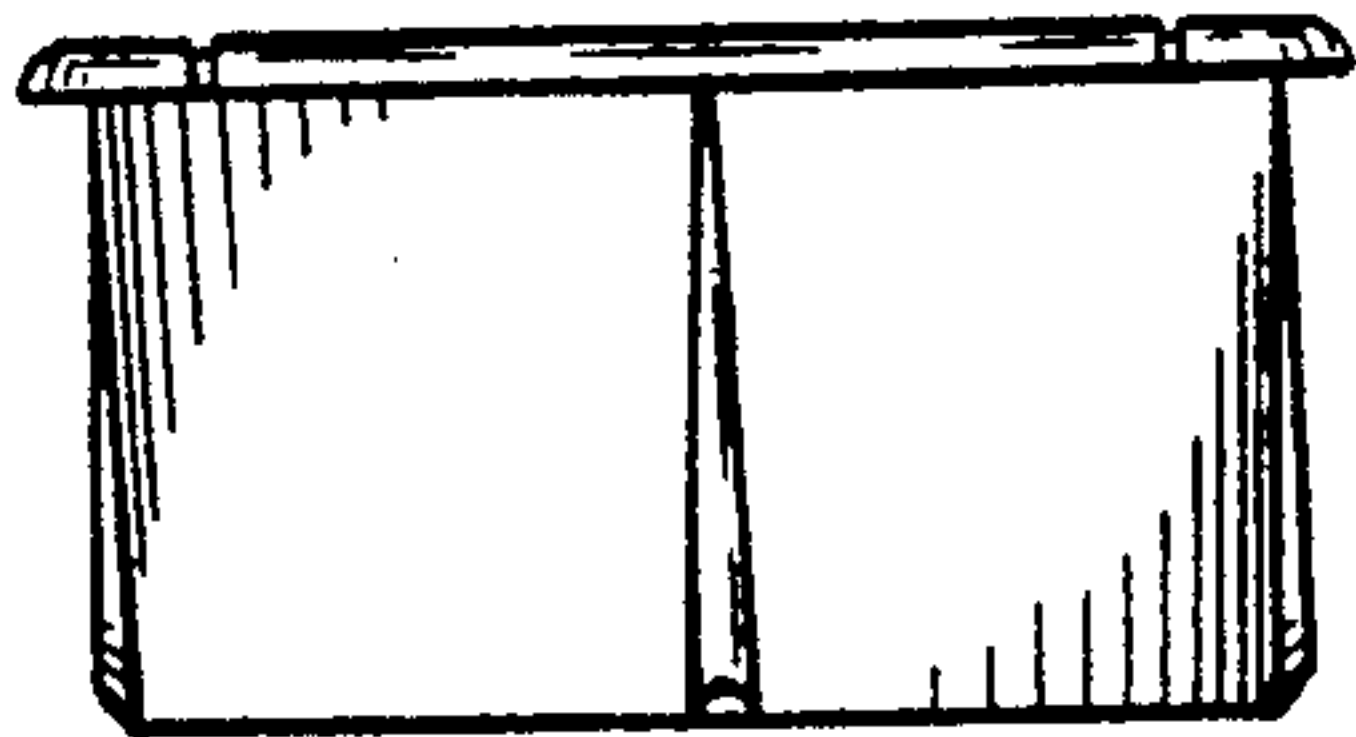


FIG. 7

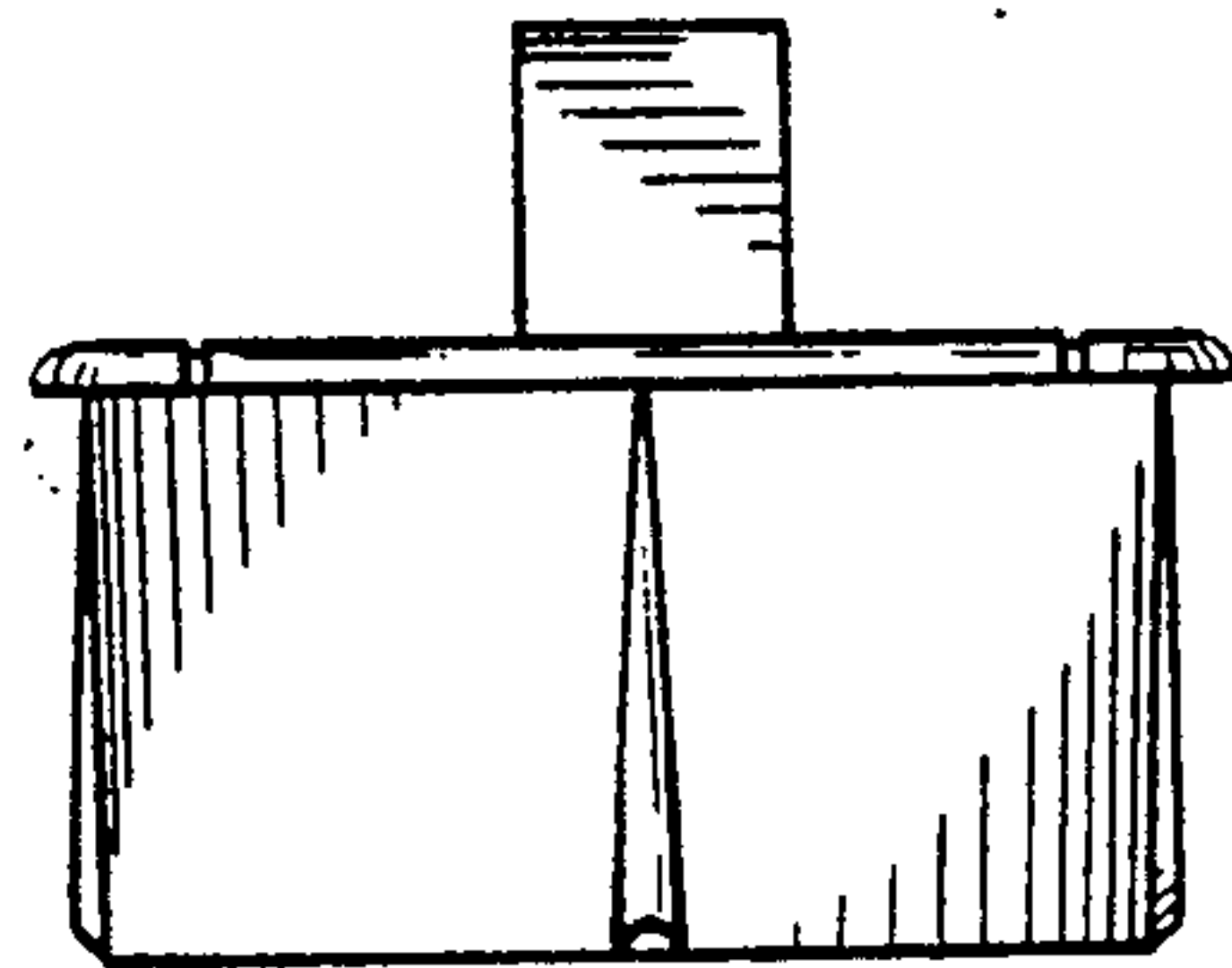


FIG. 8



FIG. 9

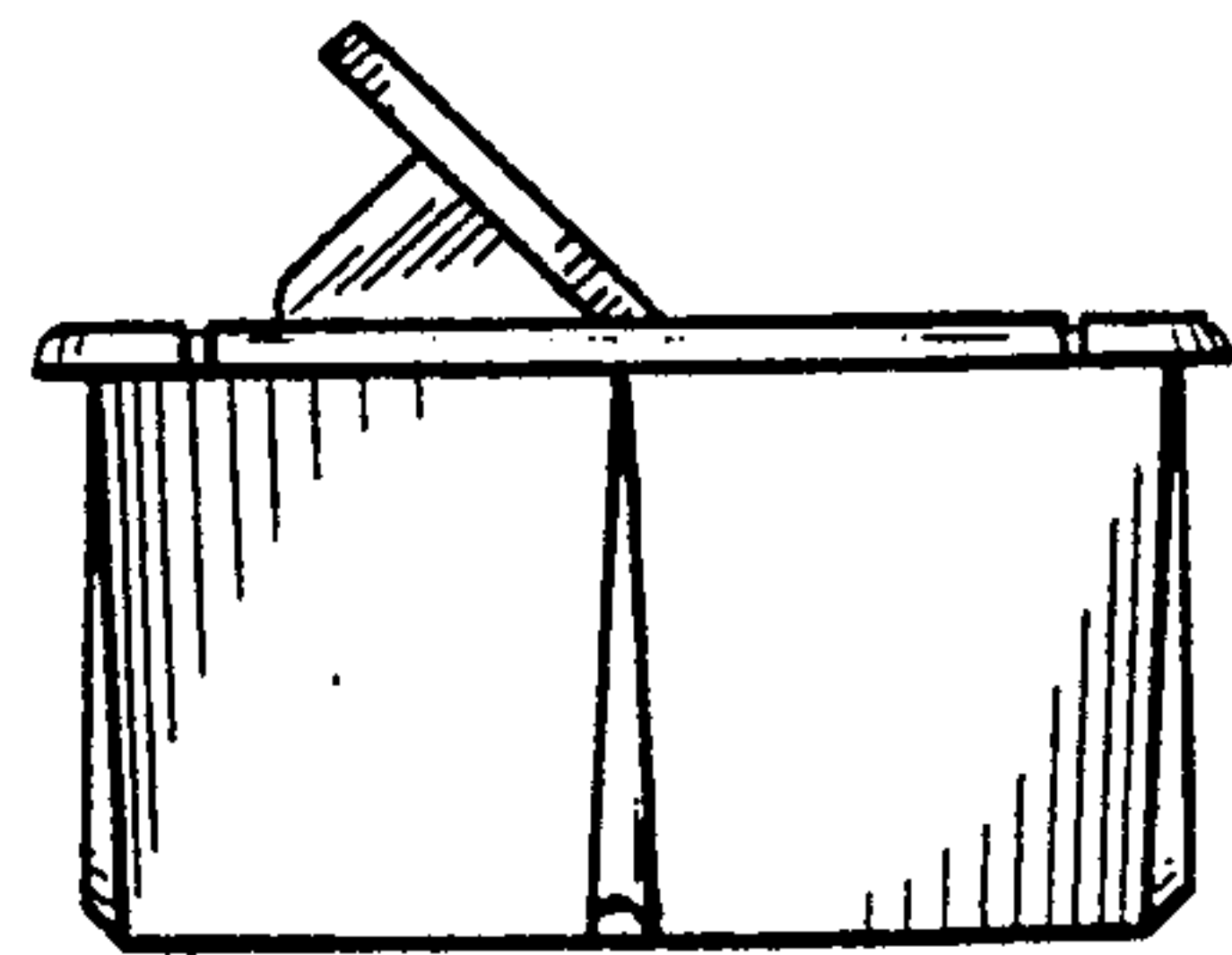


FIG. 10