

[54] **PROTECTIVE SHIELD FOR A DEADBOLT ASSEMBLY**

[76] **Inventor: John L. McKernan, 32 Province St., Boston, Mass. 02108**

[**] **Term: 14 Years**

[21] **Appl. No.: 259,695**

[22] **Filed: Oct. 19, 1988**

[52] **U.S. Cl. D8/346**

[58] **Field of Search D8/330-331, D8/346; 70/158, 416-418; 292/169.13, 169.14, 169.23**

[56] **References Cited**

U.S. PATENT DOCUMENTS

1,705,363	3/1929	Heyer	70/418
1,950,723	3/1934	Fitzgerald	70/418 X
4,248,068	2/1981	Esser et al.	70/418 X
4,466,264	8/1984	del Nero	70/417

OTHER PUBLICATIONS

"Doors and Windows", p. 103—door lock assembly.

Primary Examiner—Wallace R. Burke

Assistant Examiner—Brian N. Vinson

Attorney, Agent, or Firm—Samuels, Gauthier & Stevens

[57] **CLAIM**

The ornamental design for a protection shield for a deadbolt assembly, as shown and described.

DESCRIPTION

FIG. 1 is a perspective view of a protective shield for a deadbolt assembly showing my new design, the broken-line depiction of the deadbolt assembly shown removed from the shield is for illustrative purposes only and forms no part of the claimed design;

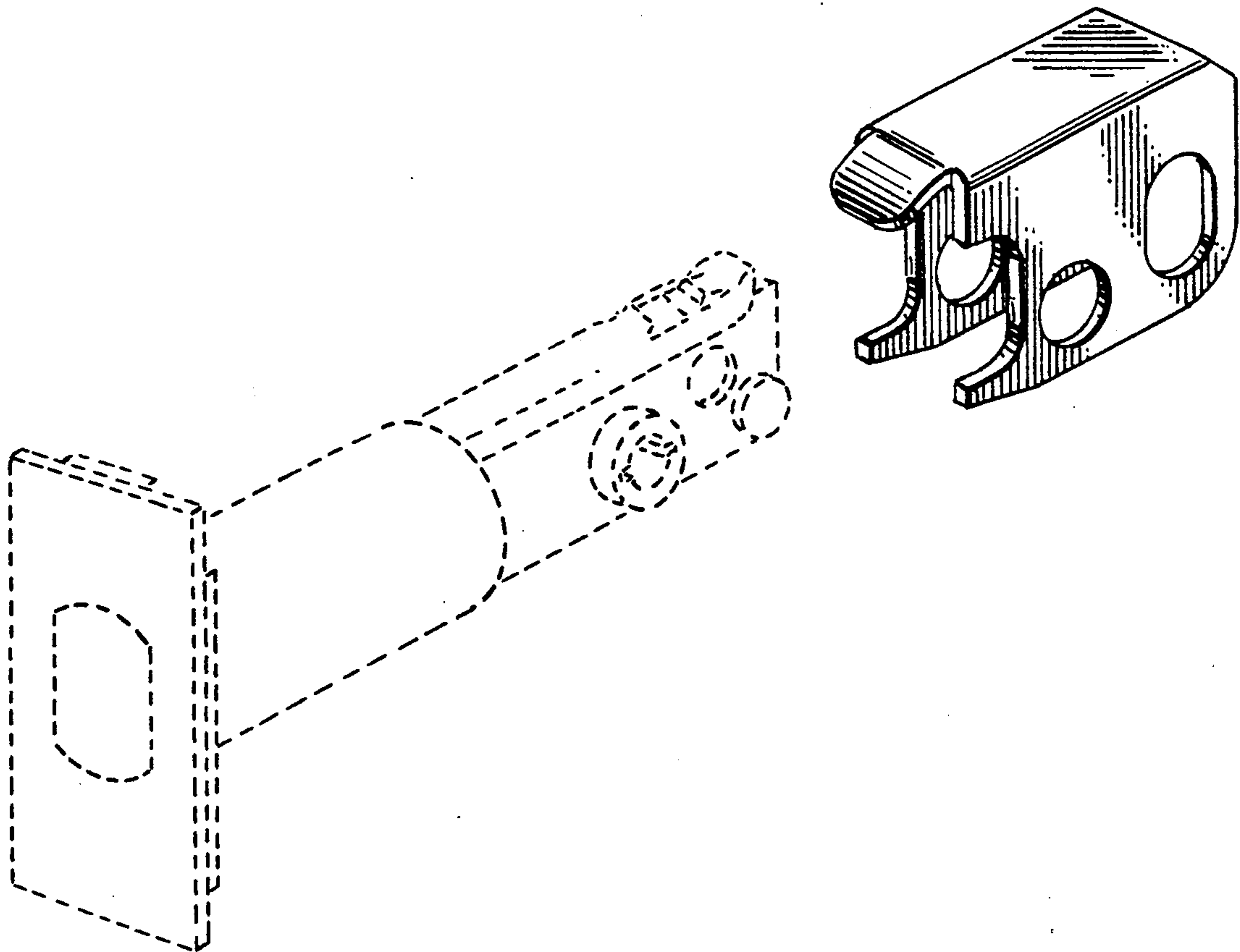
FIG. 2 is a side elevational view thereof, the opposite side being a mirror image of that shown;

FIG. 3 is a bottom plan view thereof;

FIG. 4 is a top plan view thereof;

FIG. 5 is an end elevational view thereof; and

FIG. 6 is an opposite end elevational view thereof.



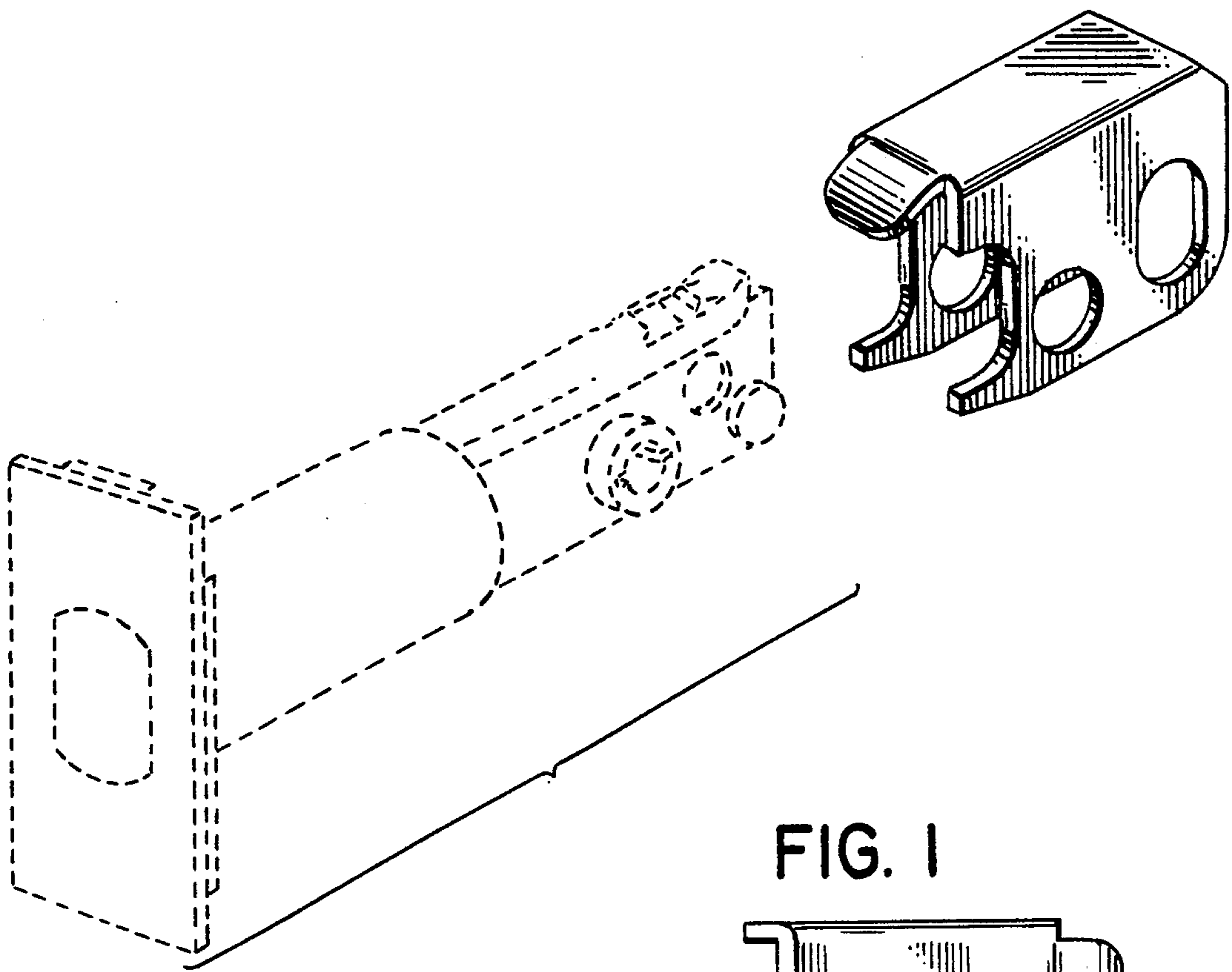


FIG. 1

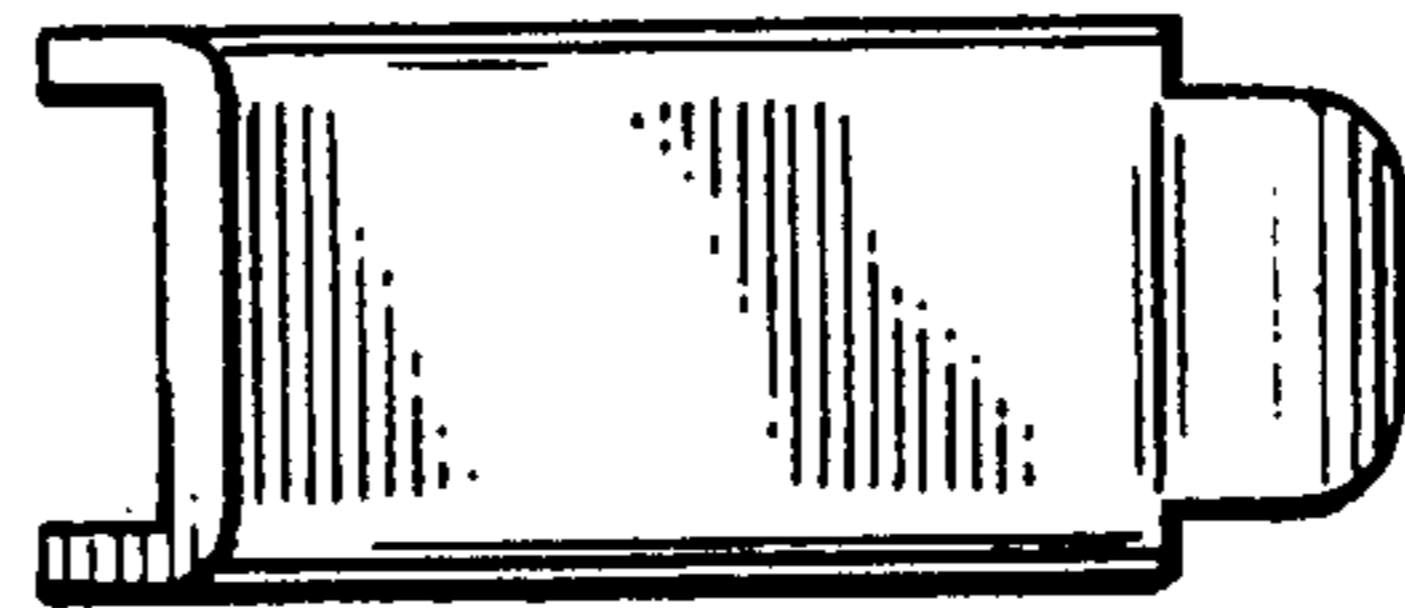


FIG. 4

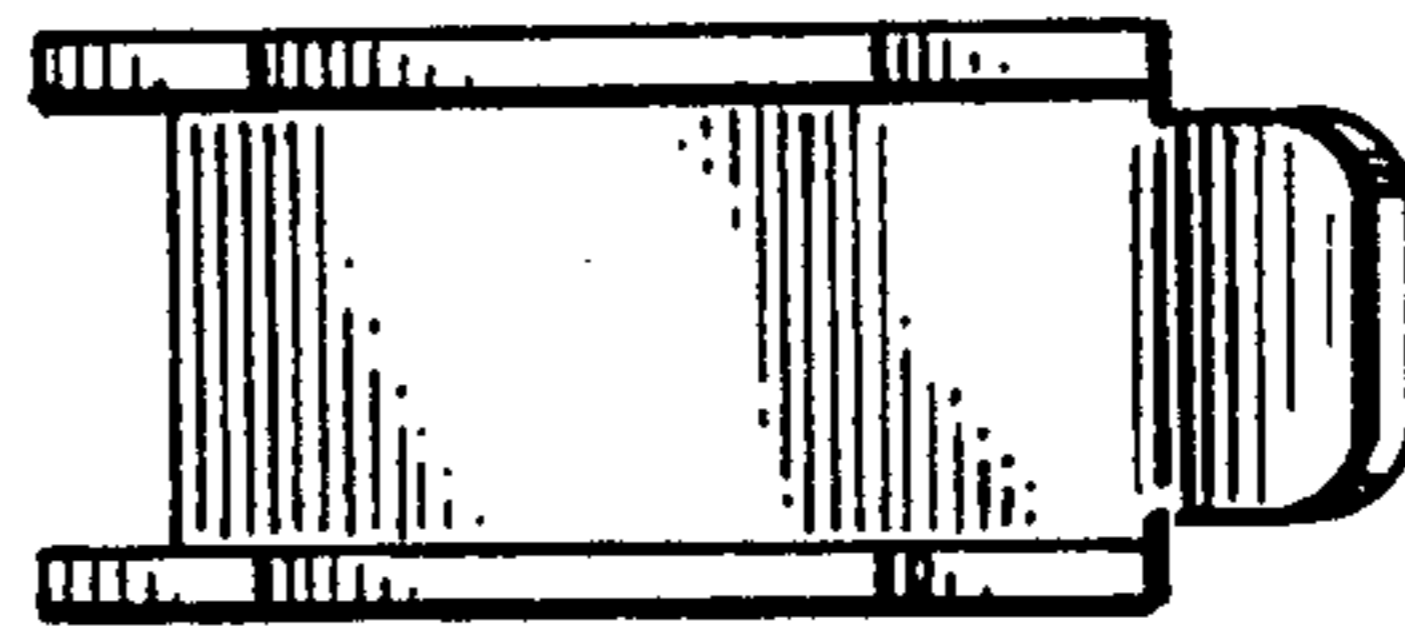


FIG. 3

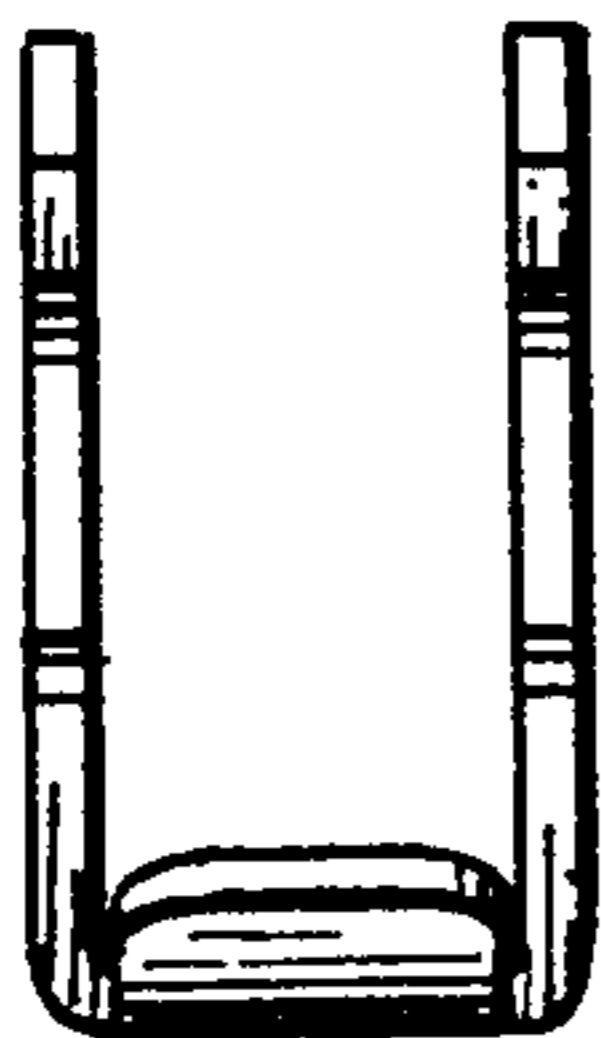


FIG. 6

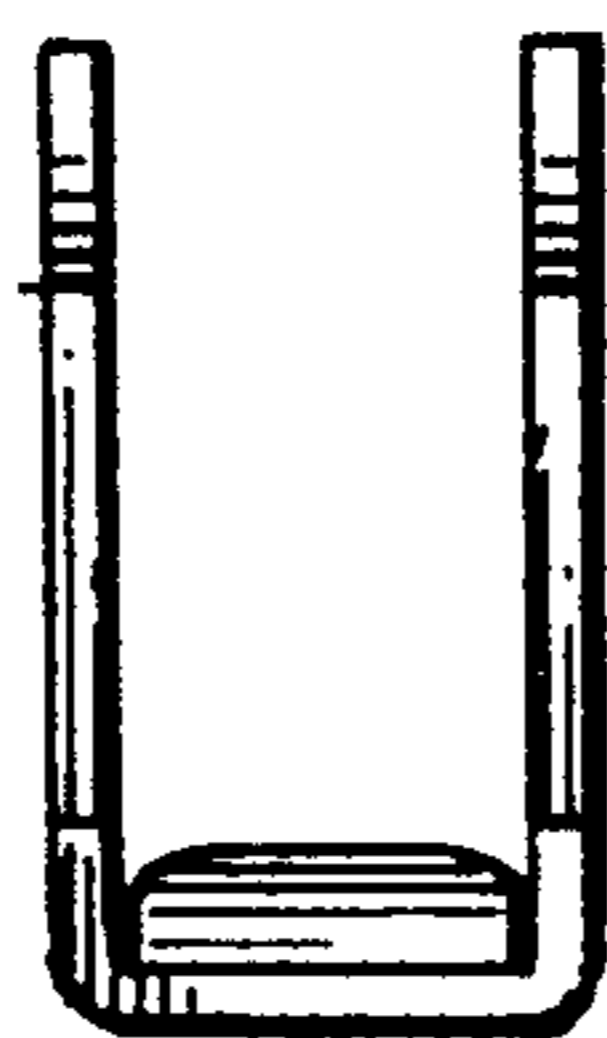


FIG. 5

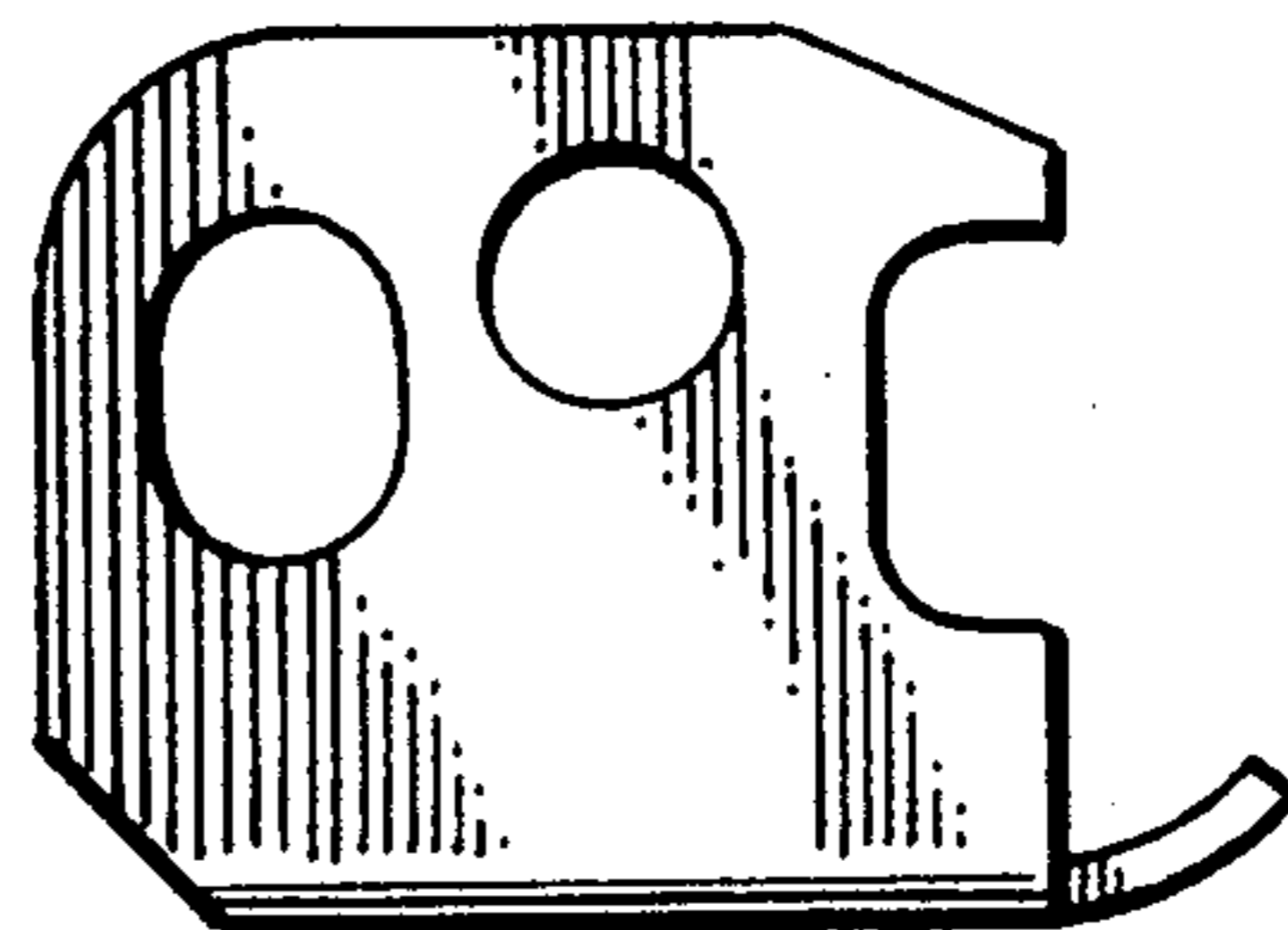


FIG. 2