

[54] KNIFE SHARPENER

[76] Inventor: Raymond A. Young, 2615 SE. Courtney, Sp. 8, Milwaukie, Oreg. 97222

[**] Term: 14 Years

[21] Appl. No.: 202,992

[22] Filed: Jun. 6, 1988

[52] U.S. Cl. D8/93

[58] Field of Search D8/92, 93, 51; 51/205 UG, 211 R, 214, 221, 353, 361; 30/2

[56] References Cited

U.S. PATENT DOCUMENTS

56,227	8/1920	Curley	D8/93
D. 116,705	9/1939	Conway et al.	D8/93
D. 119,645	3/1940	Smoleroff	.	
D. 146,921	6/1947	Lambert	D8/93
D. 303,209	9/1989	Friel	D8/93
D. 304,288	10/1989	Young	D8/93
1,907,870	5/1933	Reader	.	

2,010,141	8/1935	Cronan	.	
2,018,985	10/1935	Walsh	.	
2,473,702	6/1949	Carlin	51/214
2,743,561	5/1956	Franks	.	
3,882,642	5/1975	Sykes	D8/93 X

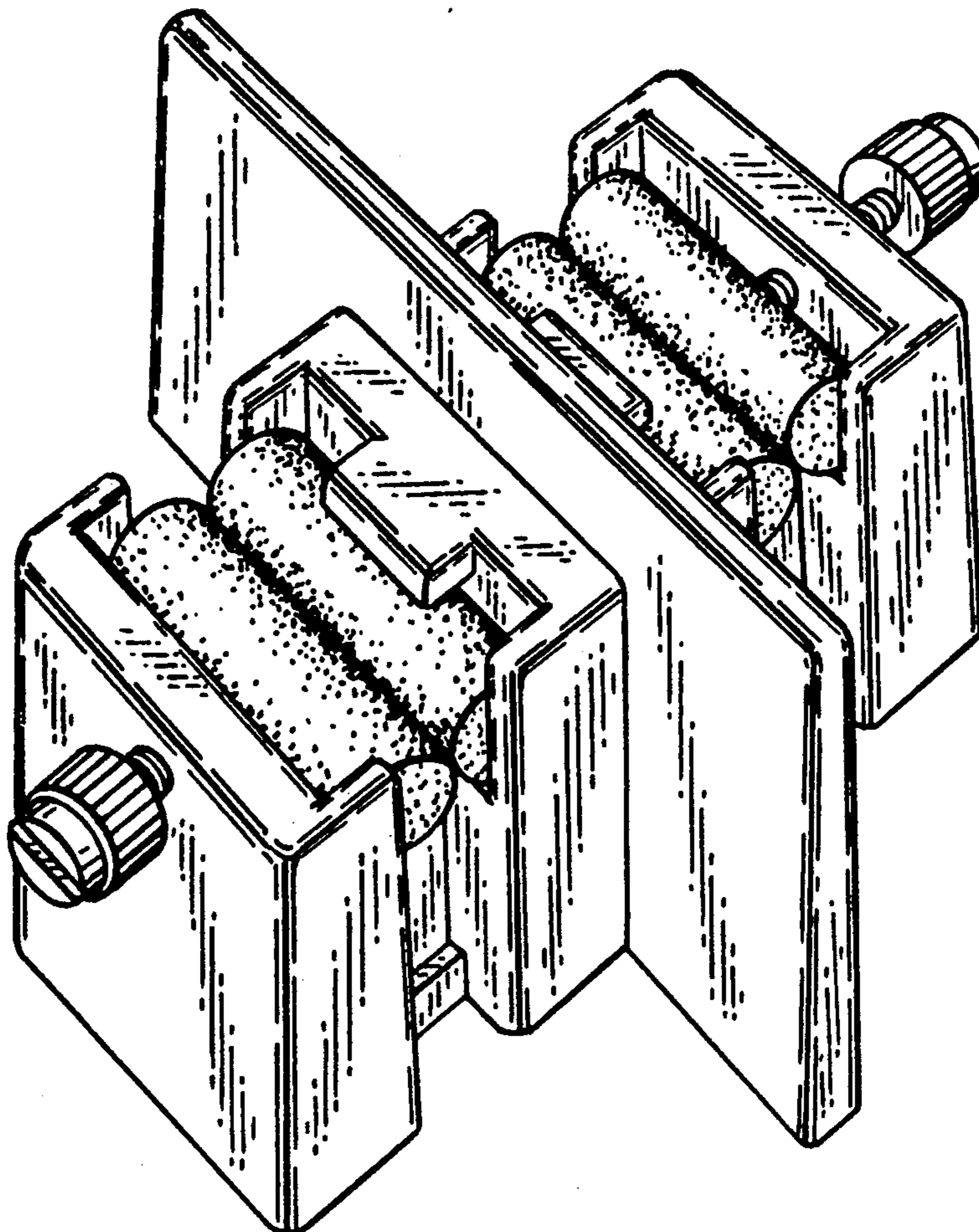
Primary Examiner—Bruce W. Dunkins
Assistant Examiner—M. Hannon
Attorney, Agent, or Firm—Klarquist, Sparkman, Campbell, Leigh & Whinston

[57] CLAIM

The ornamental design for a knife sharpener, as shown and described.

DESCRIPTION

FIG. 1 is an enlarged perspective view of a knife sharpener, showing my new design;
FIG. 2 is a top plan view thereof;
FIG. 3 is a left side view, the right side being a mirror image thereof;
FIG. 4 is a front view, the rear view being a mirror image thereof; and
FIG. 5 is a bottom plan view thereof.



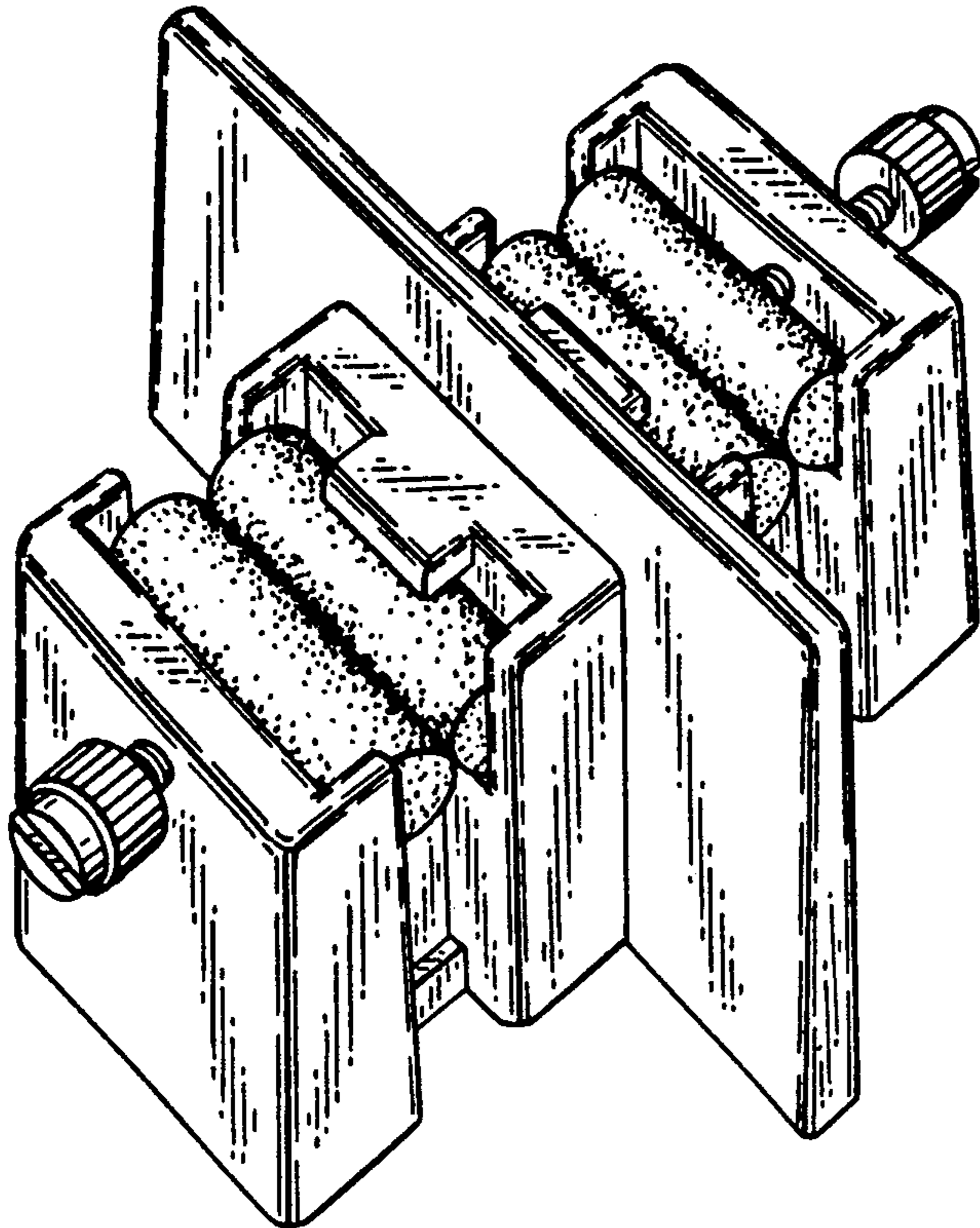


FIG. 1

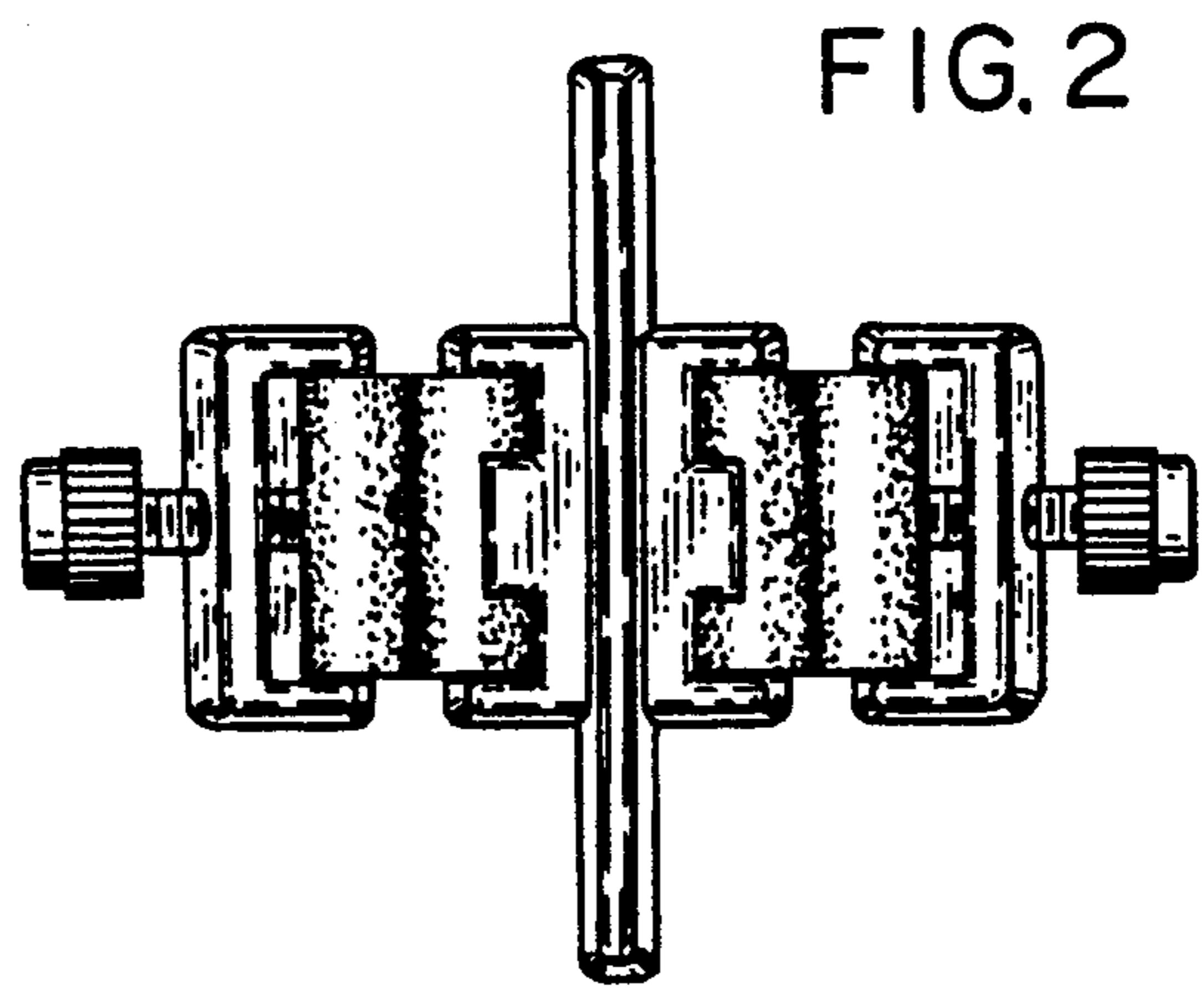


FIG. 2

FIG. 3

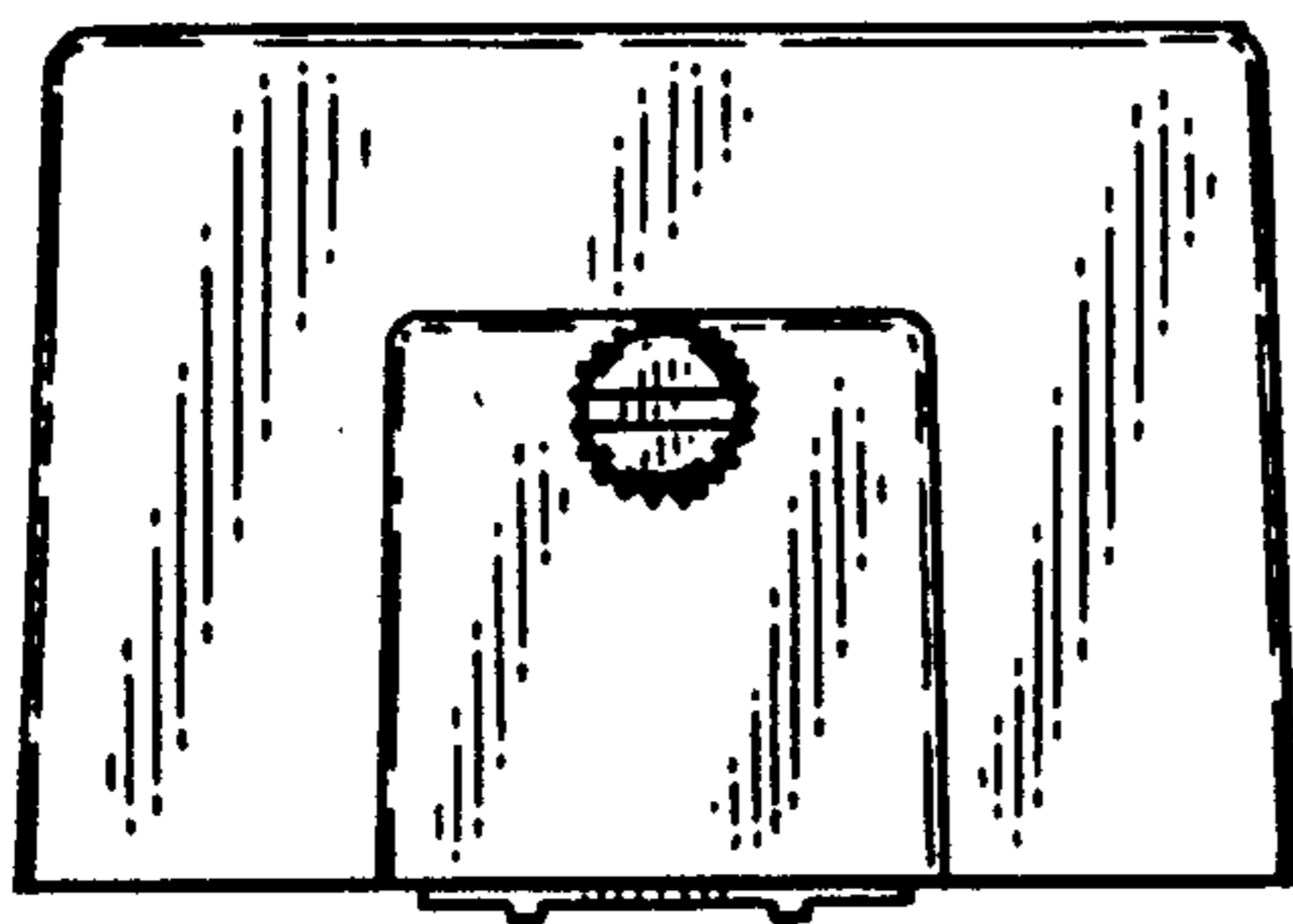


FIG. 4

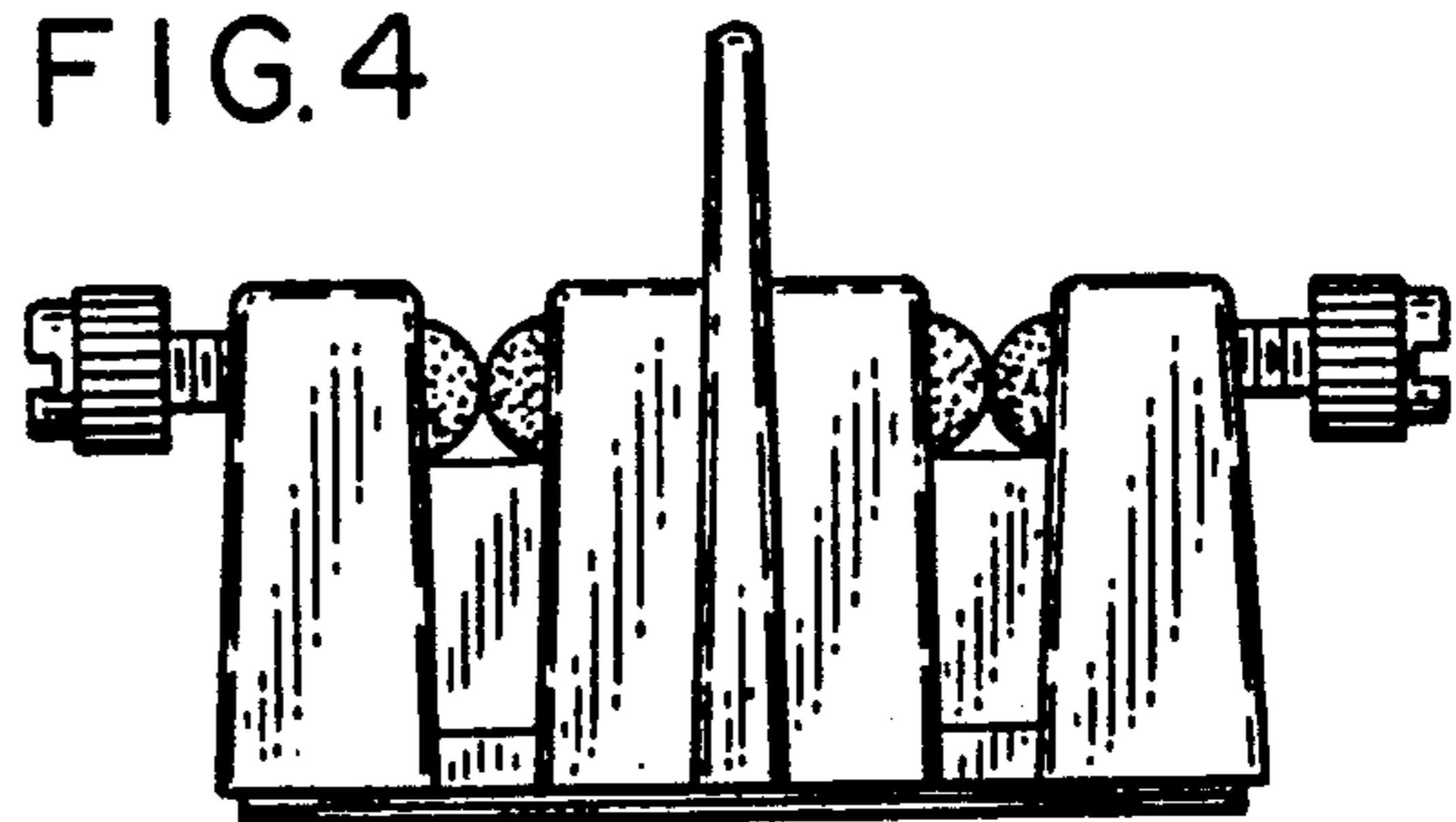


FIG. 5

