

United States Patent [19]

McCloskey et al.

[11] Patent Number: **Des. 317,552**

[45] Date of Patent: **** Jun. 18, 1991**

[54] **ELECTRICALLY POWERED CAN OPENER**

[75] Inventors: **Don R. McCloskey**, Stratford, Conn.;
Gary van Deursen, Upper Saddle
River, N.J.; **Sally A. Hattle**,
Wilmington, Del.

[73] Assignee: **Black & Decker Inc.**, Newark, Del.

[**] Term: **14 Years**

[21] Appl. No.: **344,147**

[22] Filed: **Apr. 26, 1989**

[52] U.S. Cl. **D8/36; D8/37**

[58] Field of Search **D8/33, 34, 36, 37;**
30/400, 410, 416, 420, 424-426

[56] **References Cited**

U.S. PATENT DOCUMENTS

D. 288,403 2/1987 Steinkamp et al. D8/36

D. 300,201 3/1989 Tsuji D8/37
D. 309,086 7/1990 Van Asten D8/36
4,663,849 5/1987 Nickelson 30/416 X

Primary Examiner—Terry A. Pfeffer
Attorney, Agent, or Firm—Barry E. Deutsch

[57] **CLAIM**

The ornamental design for an electrically powered can opener, as shown.

DESCRIPTION

FIG. 1 is a top, front, right side perspective view of an electrically powered can opener showing our new design;

FIG. 2 is a front elevational view thereof;

FIG. 3 is a right side elevational view thereof;

FIG. 4 is a bottom plan view thereof;

FIG. 5 is a left side elevational view thereof; and

FIG. 6 is a rear elevational view thereof.

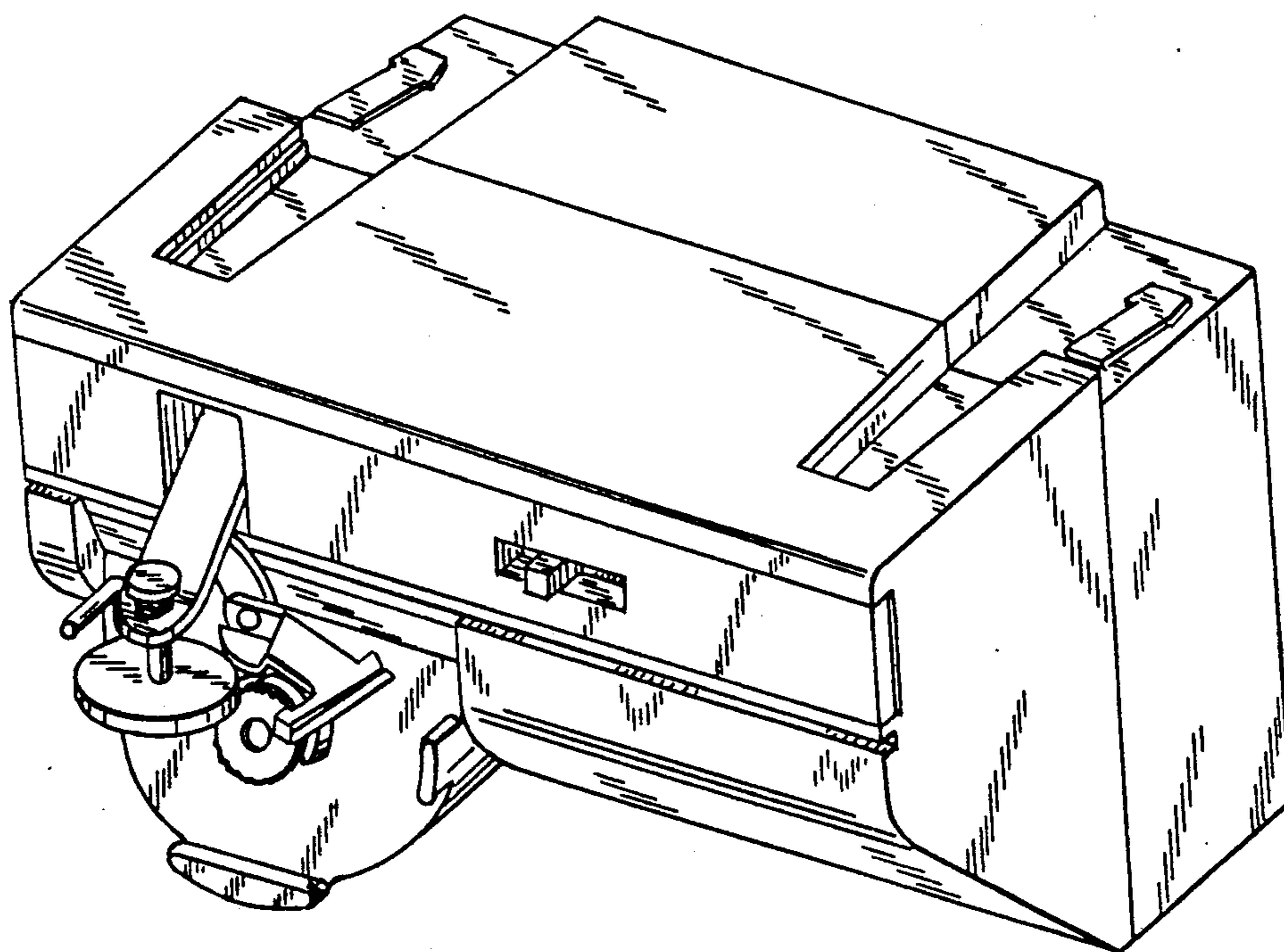


FIG. 1

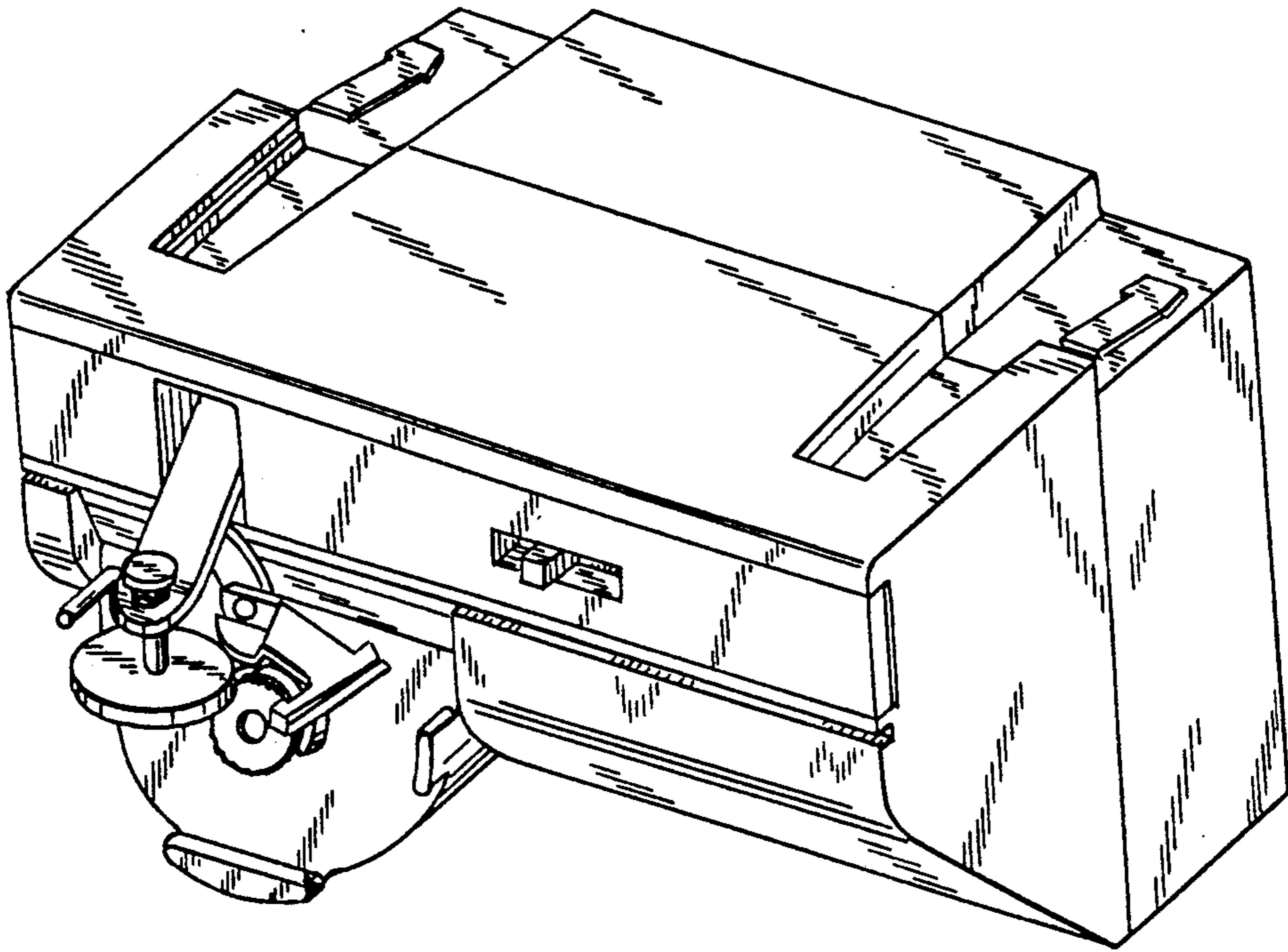


FIG. 2

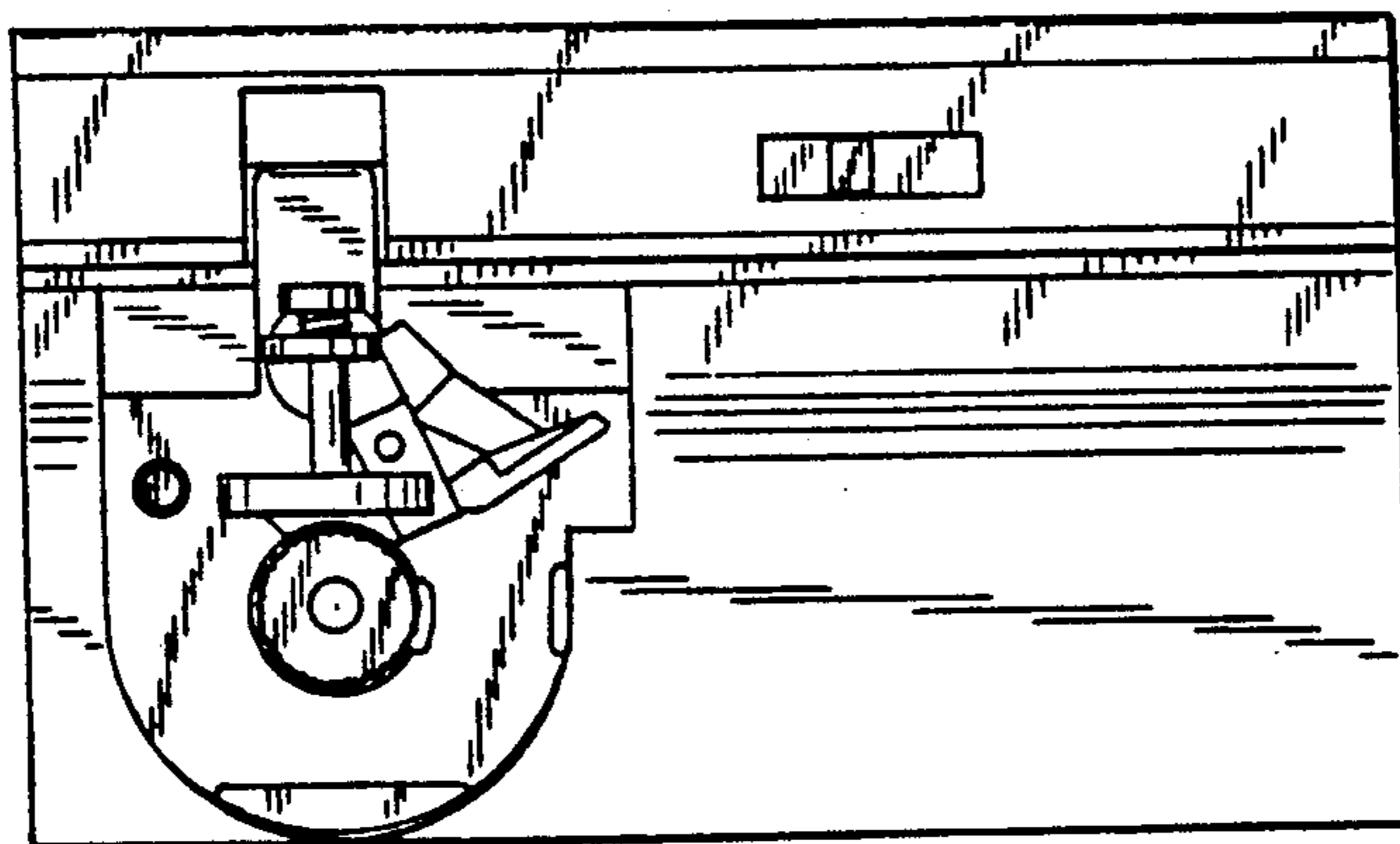


FIG. 3

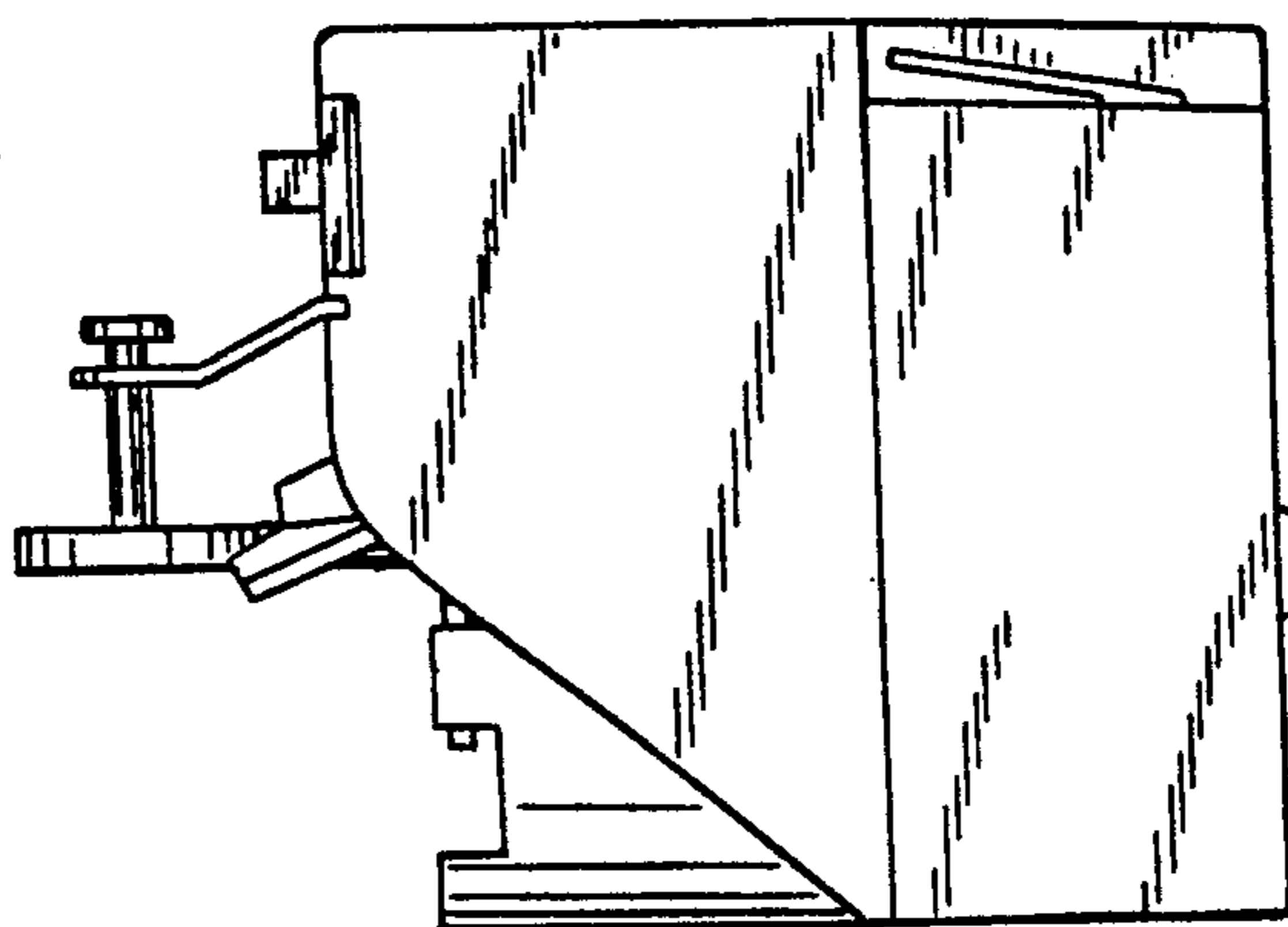


FIG. 4

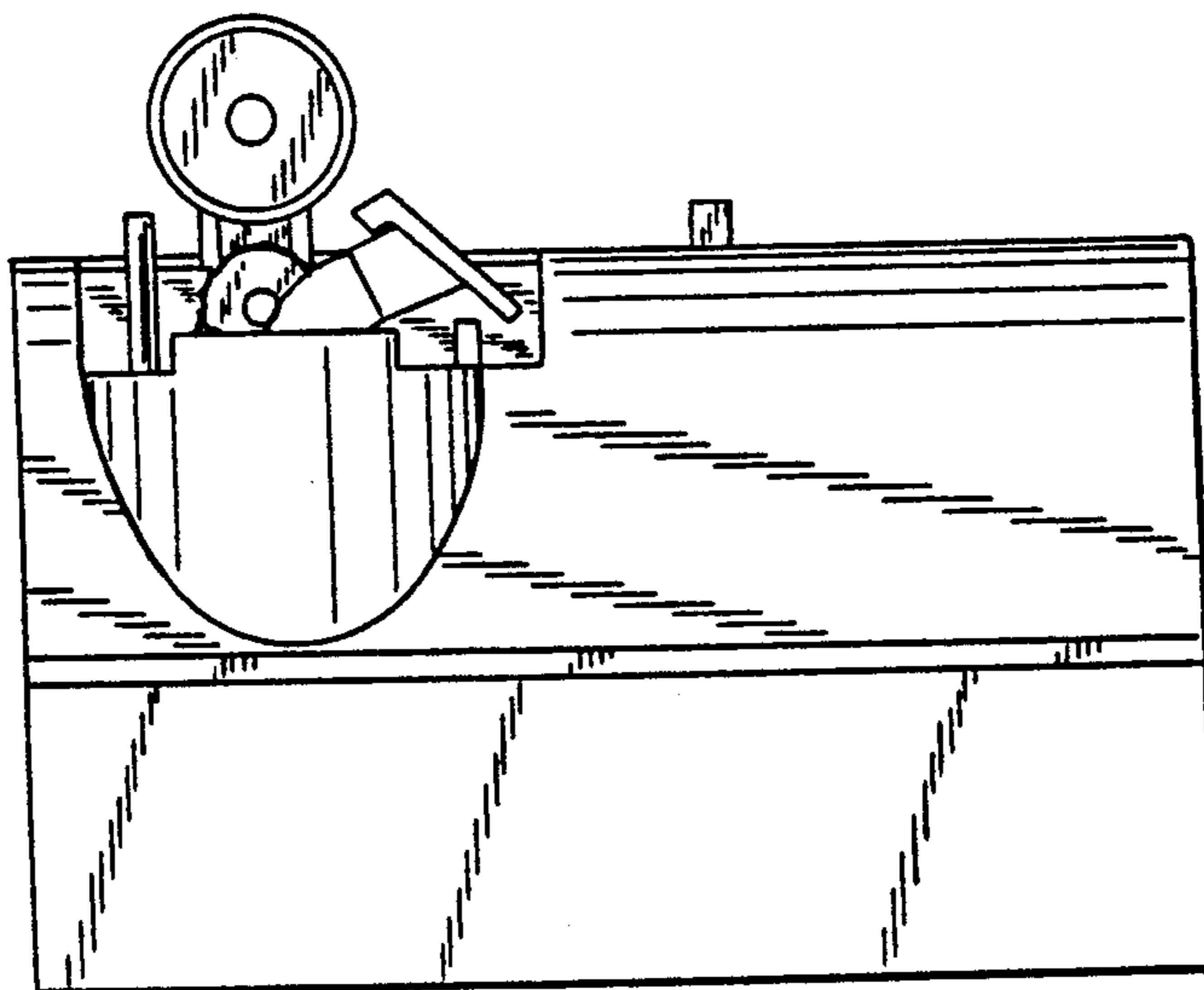


FIG. 5

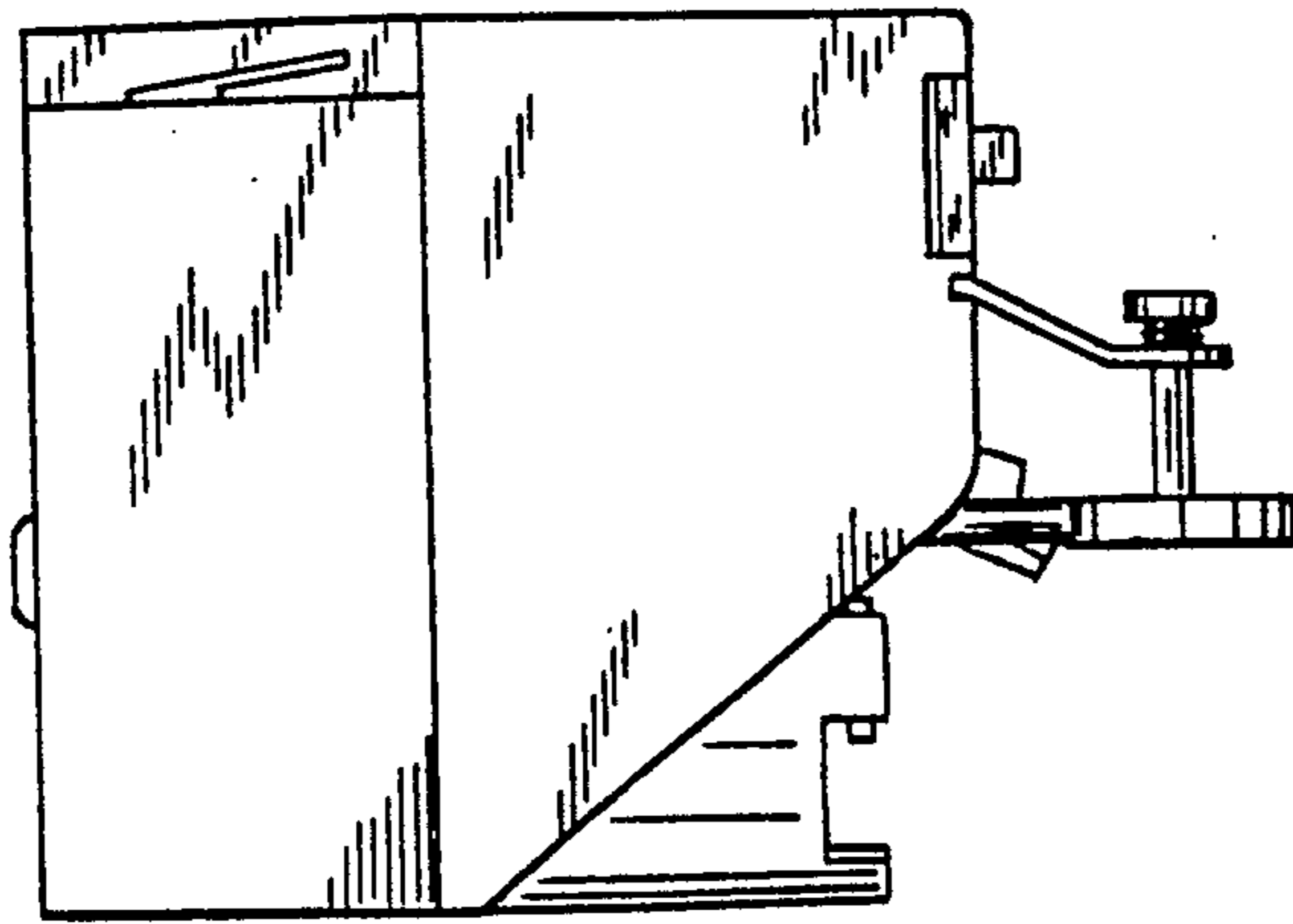


FIG. 6

