

[54] **CAMPER'S WOK**

4,332,188 6/1982 Rhear ..... D7/361 X

[76] **Inventor: C. Richard Stadelmaier, 505 E. 41st St., Baltimore, Md. 21218**

**OTHER PUBLICATIONS**

*Retailing Home Furnishings*, Jan. 9, 1978, p. 133, Section I, Faberware Electric Wok/top left panel.

[\*\*] **Term: 14 Years**

*Primary Examiner*—Winifred E. Herrmann  
*Attorney, Agent, or Firm*—Jerry T. Kearns

[21] **Appl. No.: 240,119**

[22] **Filed: Sep. 2, 1988**

[57] **CLAIM**

[52] **U.S. Cl. .... D7/360; D7/355**

The ornamental design for a camper's wok, as shown and described.

[58] **Field of Search ..... D7/354, 360, 355, 361, D7/356, 357, 393-395, 323, 325, 388, 403, 366, 332, 334, 335, 542**

**DESCRIPTION**

[56] **References Cited**

FIG. 1 is a front elevational view of a camper's wok showing my new design;

**U.S. PATENT DOCUMENTS**

FIG. 2 is a rear elevational view thereof;

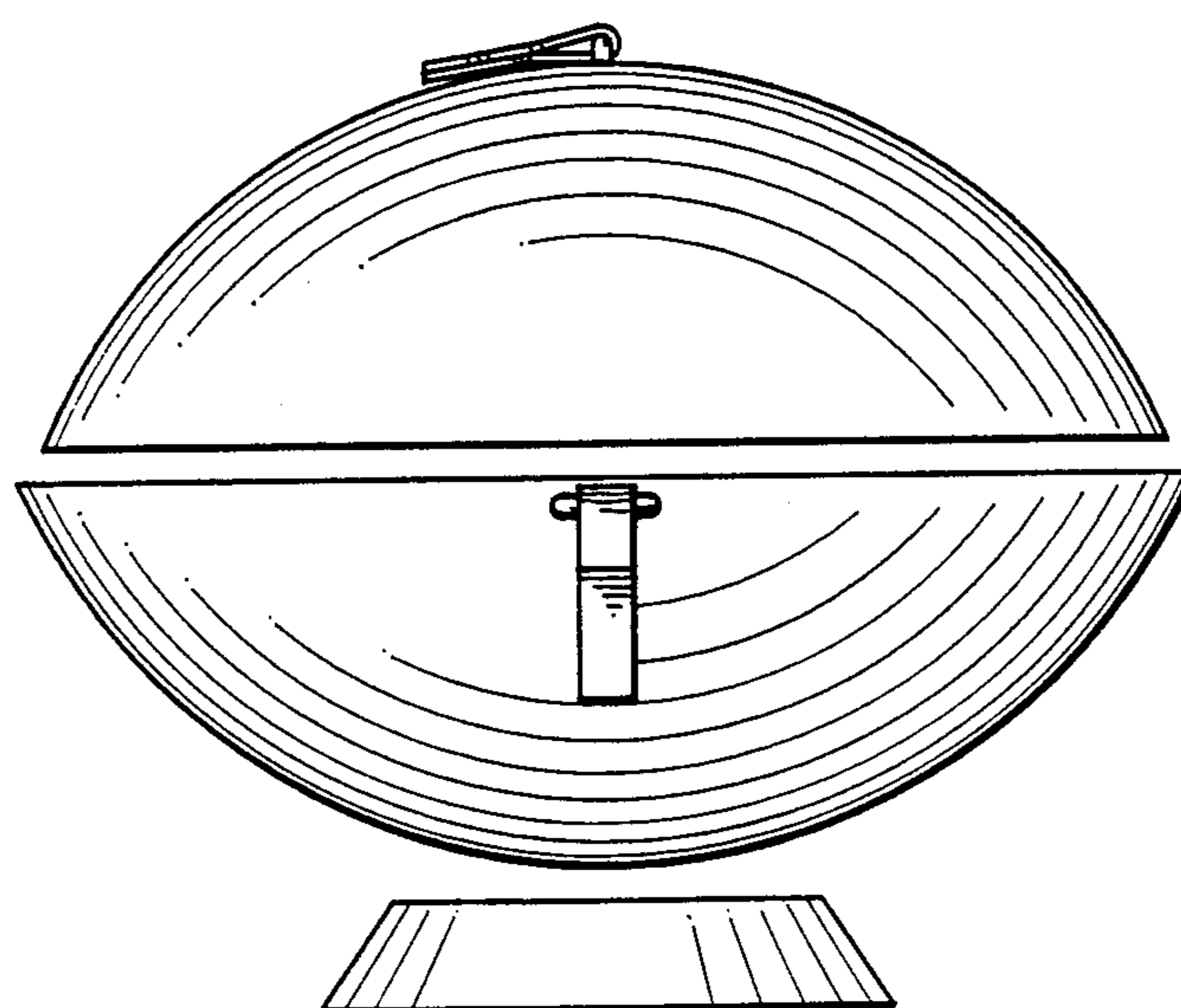
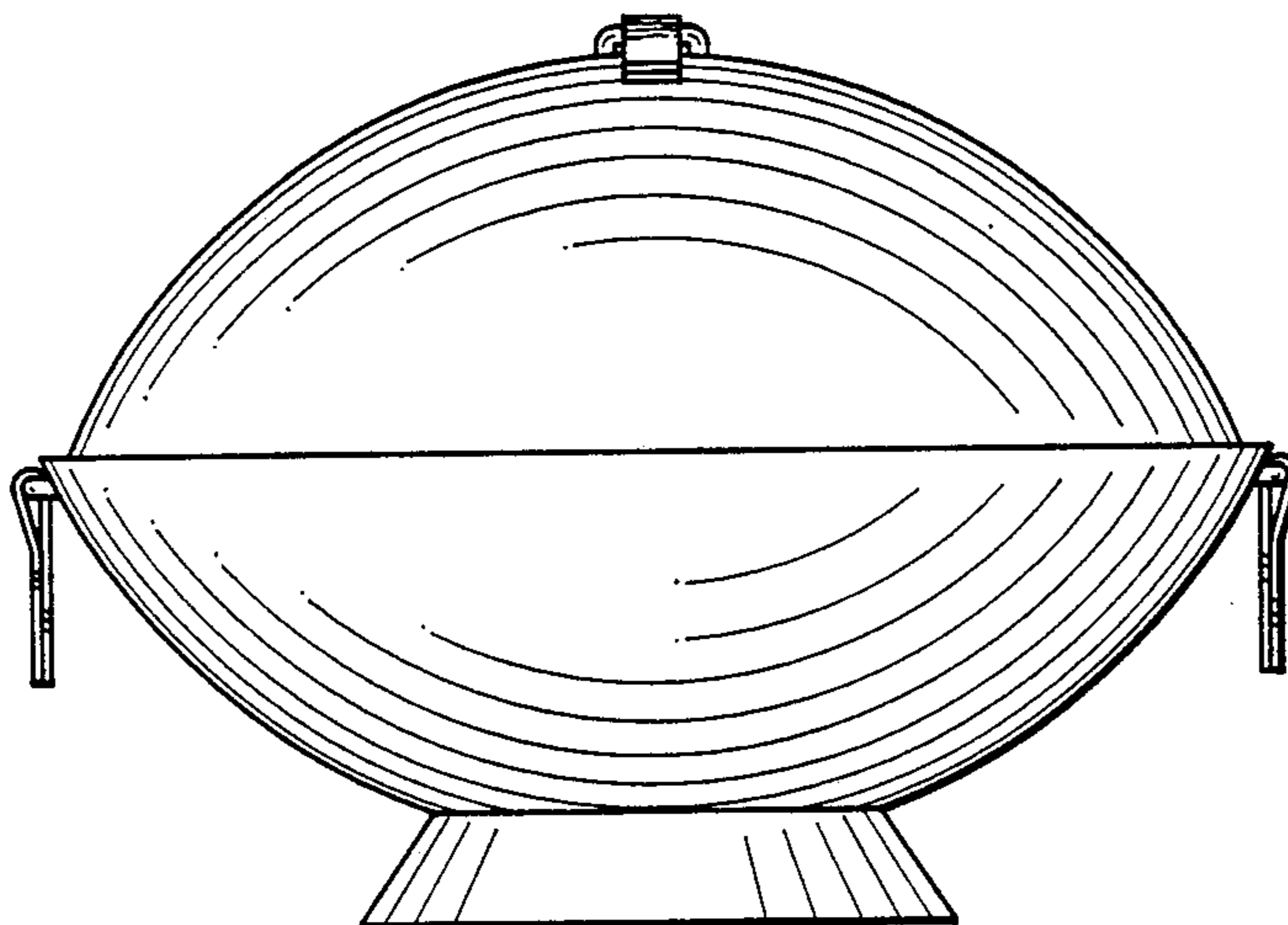
- D. 200,332 2/1965 Lee ..... D7/360
- D. 269,319 6/1983 Fox ..... D7/360
- D. 276,493 11/1984 Cesaroni ..... D7/360 X
- D. 286,124 10/1986 Dempsey ..... D7/540 X
- D. 295,135 4/1988 Ogden ..... D7/334

FIG. 3 is a left side elevational view thereof;

FIG. 4 is an exploded right side elevational view thereof;

FIG. 5 is a top plan view thereof; and,

FIG. 6 is a bottom plan view thereof.



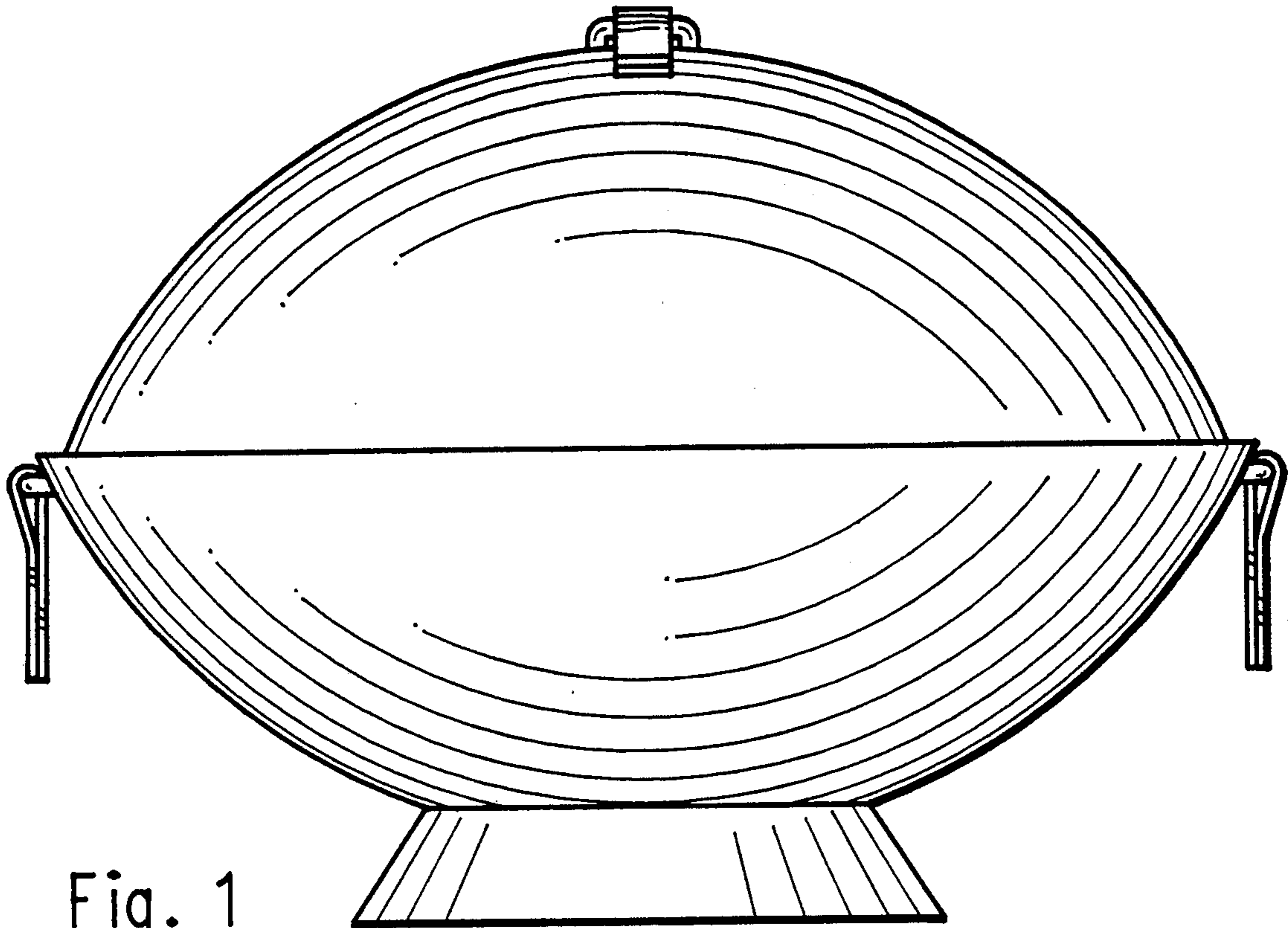


Fig. 1

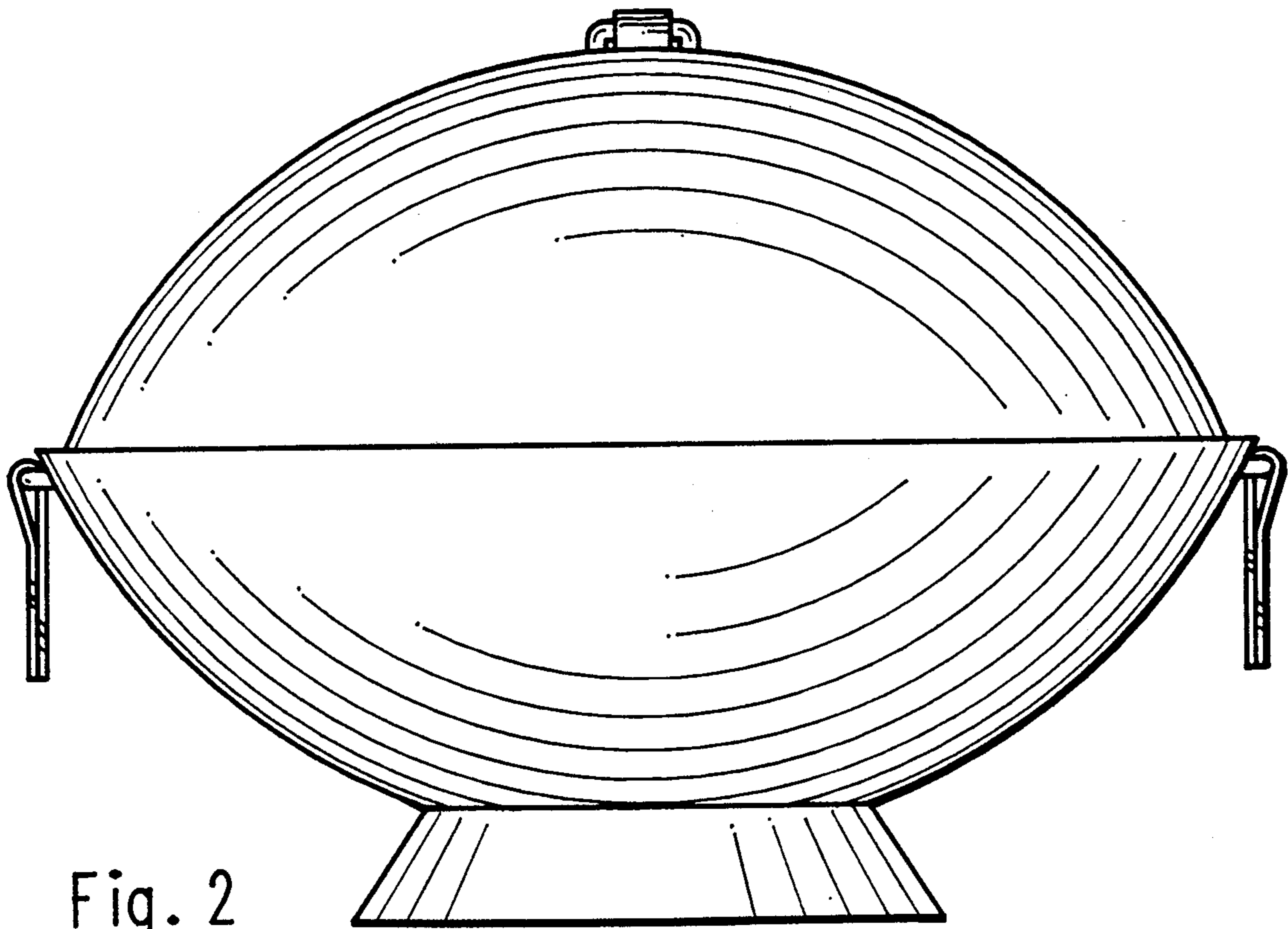


Fig. 2

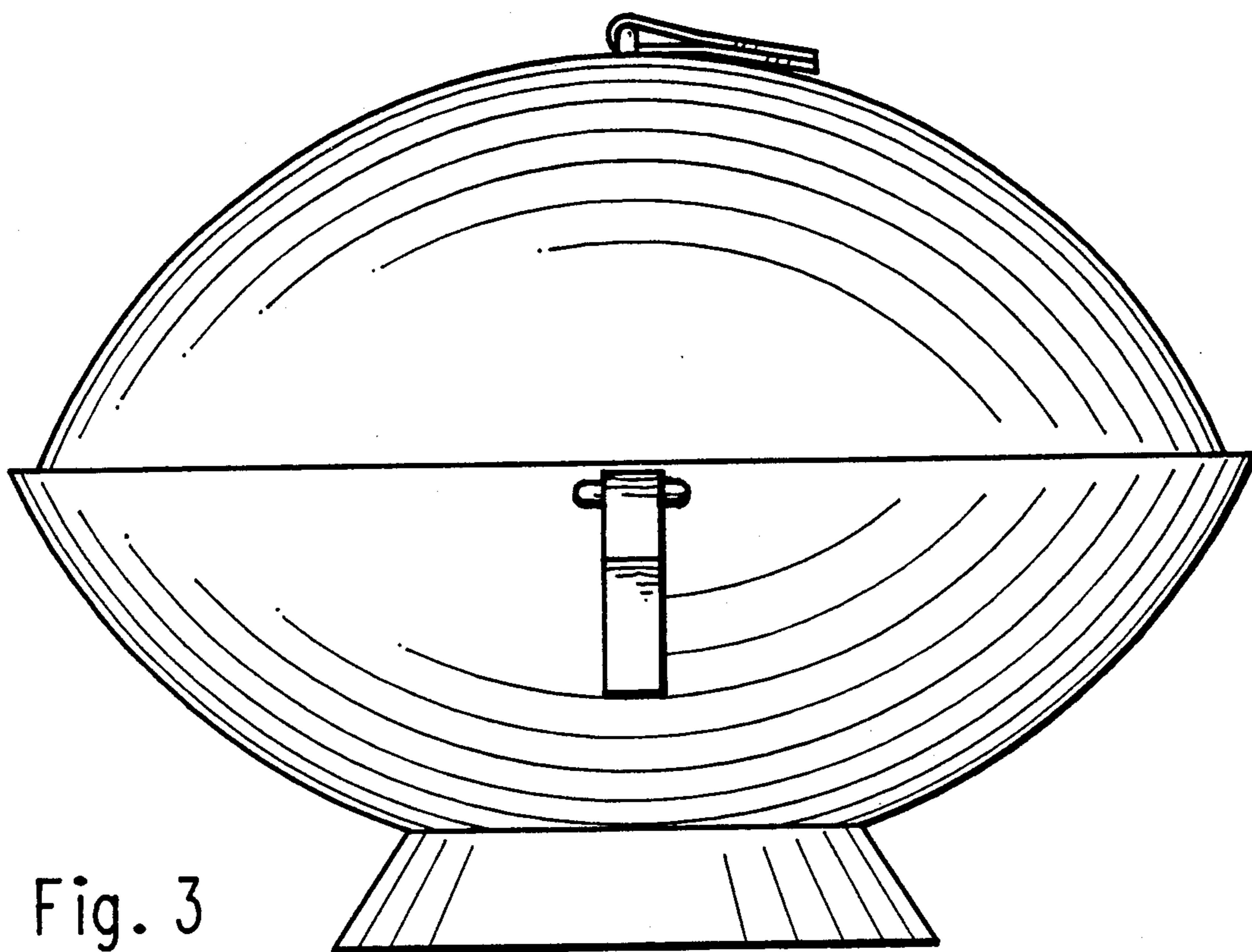


Fig. 3

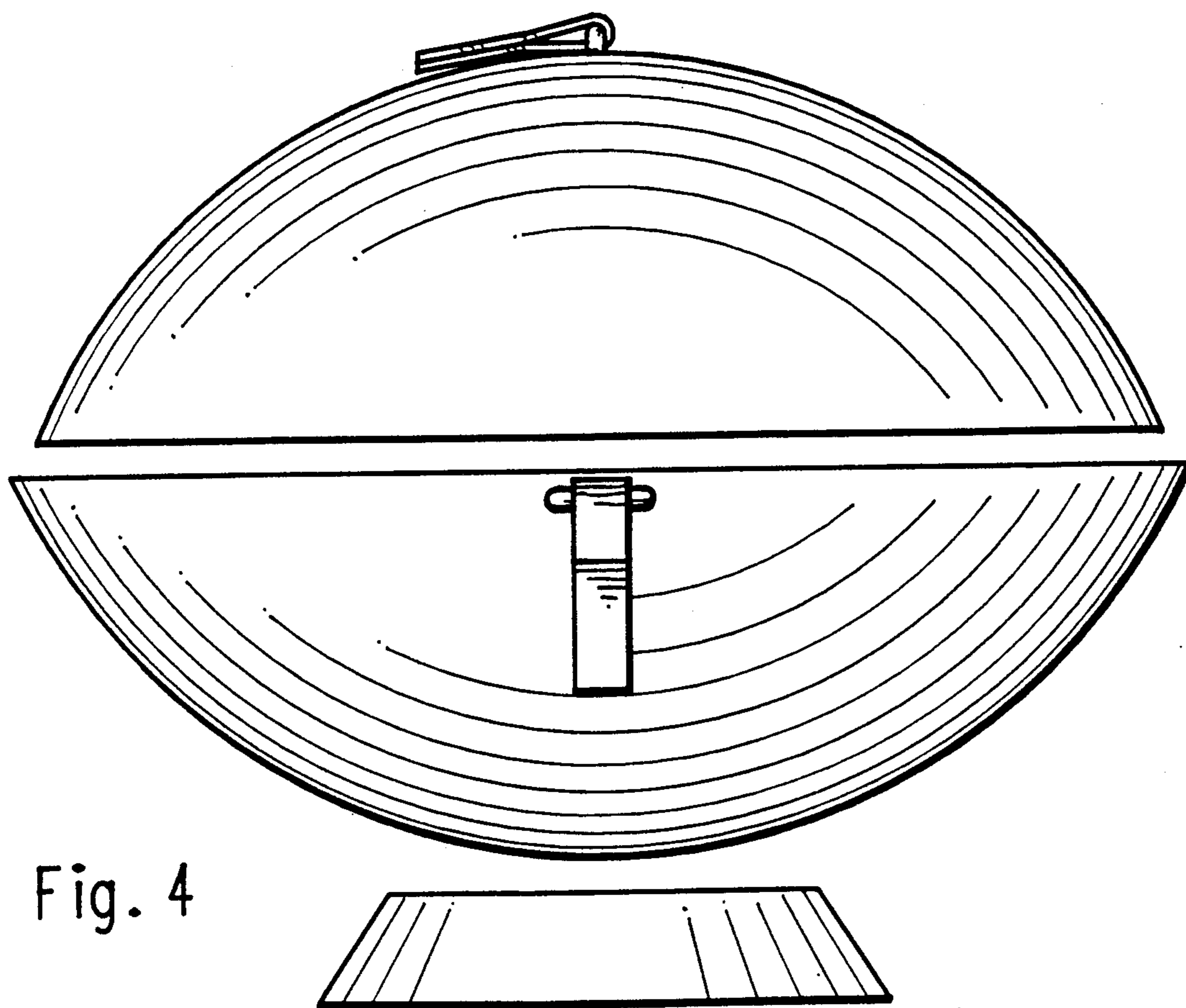


Fig. 4

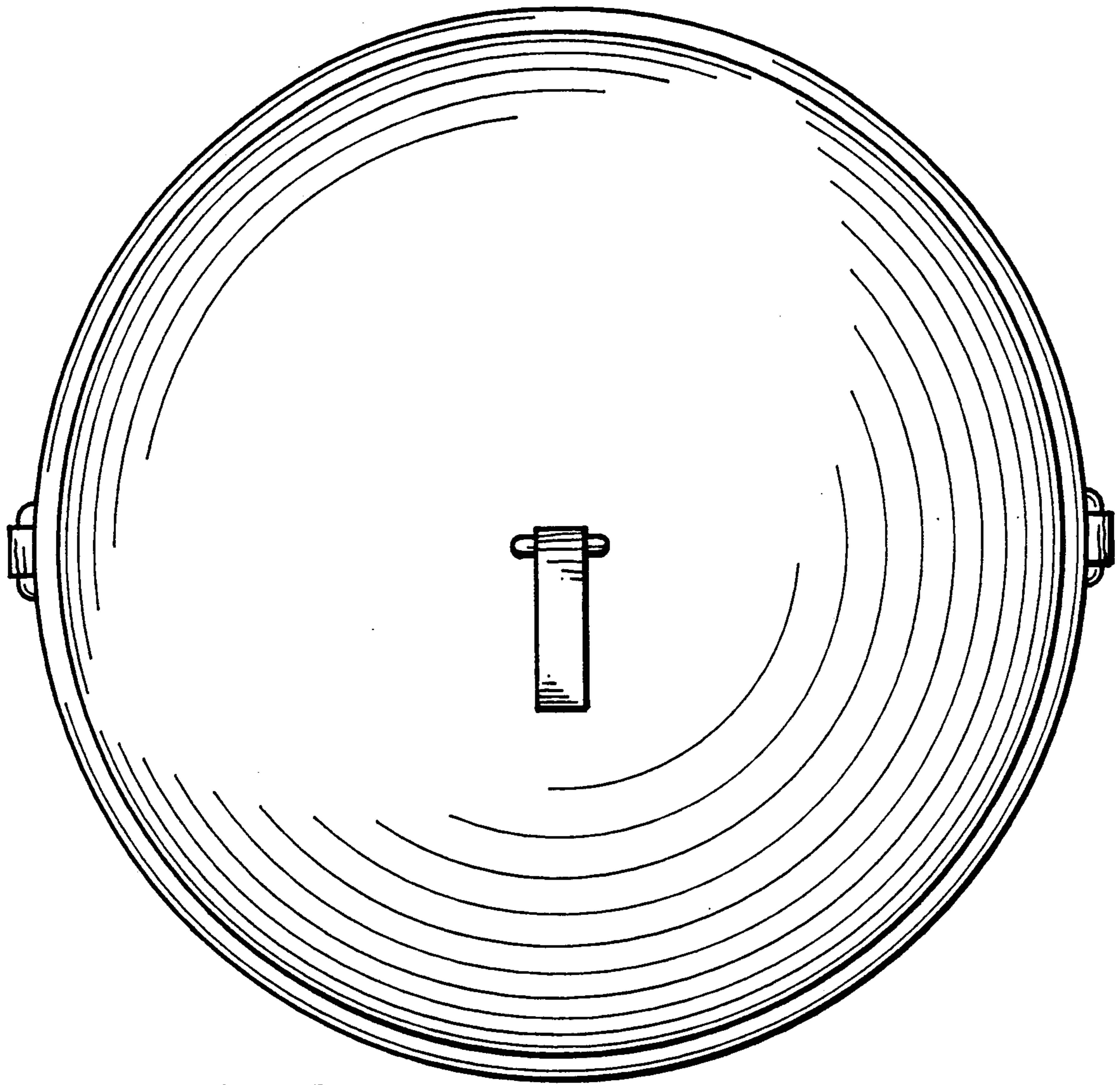


Fig. 5

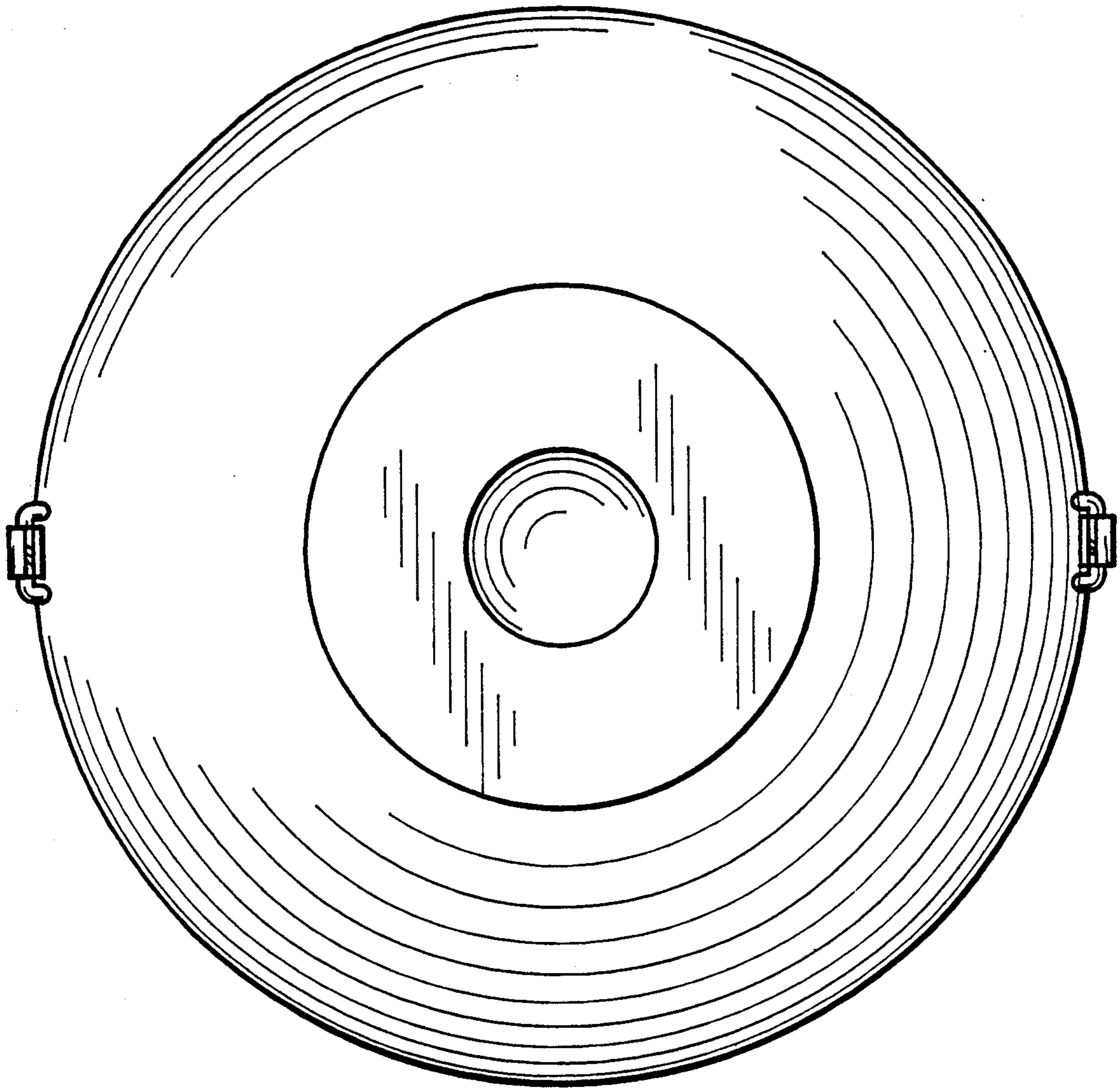


Fig. 6