

[54] CUSHION FOR THE BACK OF A CHAIR OR THE LIKE

[76] Inventor: Elizabeth H. Carwile, 113 Hickory Creek Dr., Brandon, Fla. 33511

[\*\*] Term: 14 Years

[21] Appl. No.: 411,626

[22] Filed: Sep. 25, 1989

[52] U.S. Cl. .... D6/601; D6/502

[58] Field of Search ..... D6/595-596, D6/601, 356, 501, 502; 5/419, 431-432, 434, 437; 297/391, 394-395, 397

[56] References Cited

U.S. PATENT DOCUMENTS

- D. 216,610 2/1970 Stiver ..... D6/596
- D. 286,239 10/1986 Scheurer et al. .... D6/596 X
- 3,220,770 11/1965 Schaeffer ..... 297/391 X

Primary Examiner—Wallace R. Burke  
Assistant Examiner—Brian N. Vinson

[57] CLAIM

The ornamental design for a cushion for the back of a chair or the like, as shown and described.

DESCRIPTION

FIG. 1 is a perspective view of a cushion for the back of a chair or the like showing my new design, the broken-line depiction of a portion of a chair being for illustrative purposes only and forming no part of the claimed design;

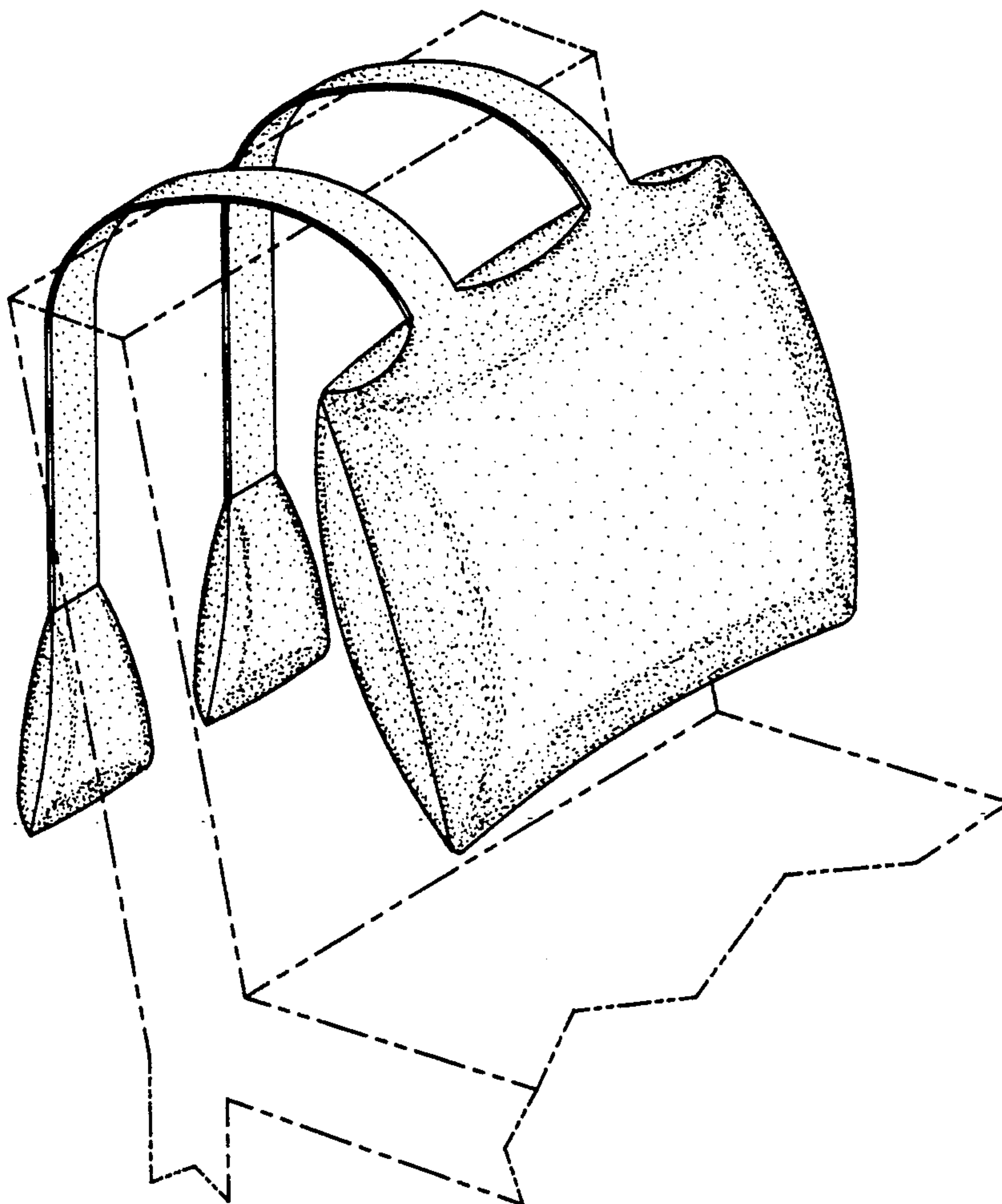
FIG. 2 is a front elevational view thereof;

FIG. 3 is a left side elevational view thereof, the right side being a mirror image of that shown;

FIG. 4 is a top plan view thereof;

FIG. 5 is a bottom plan view thereof, and

FIG. 6 is a rear elevational view thereof.



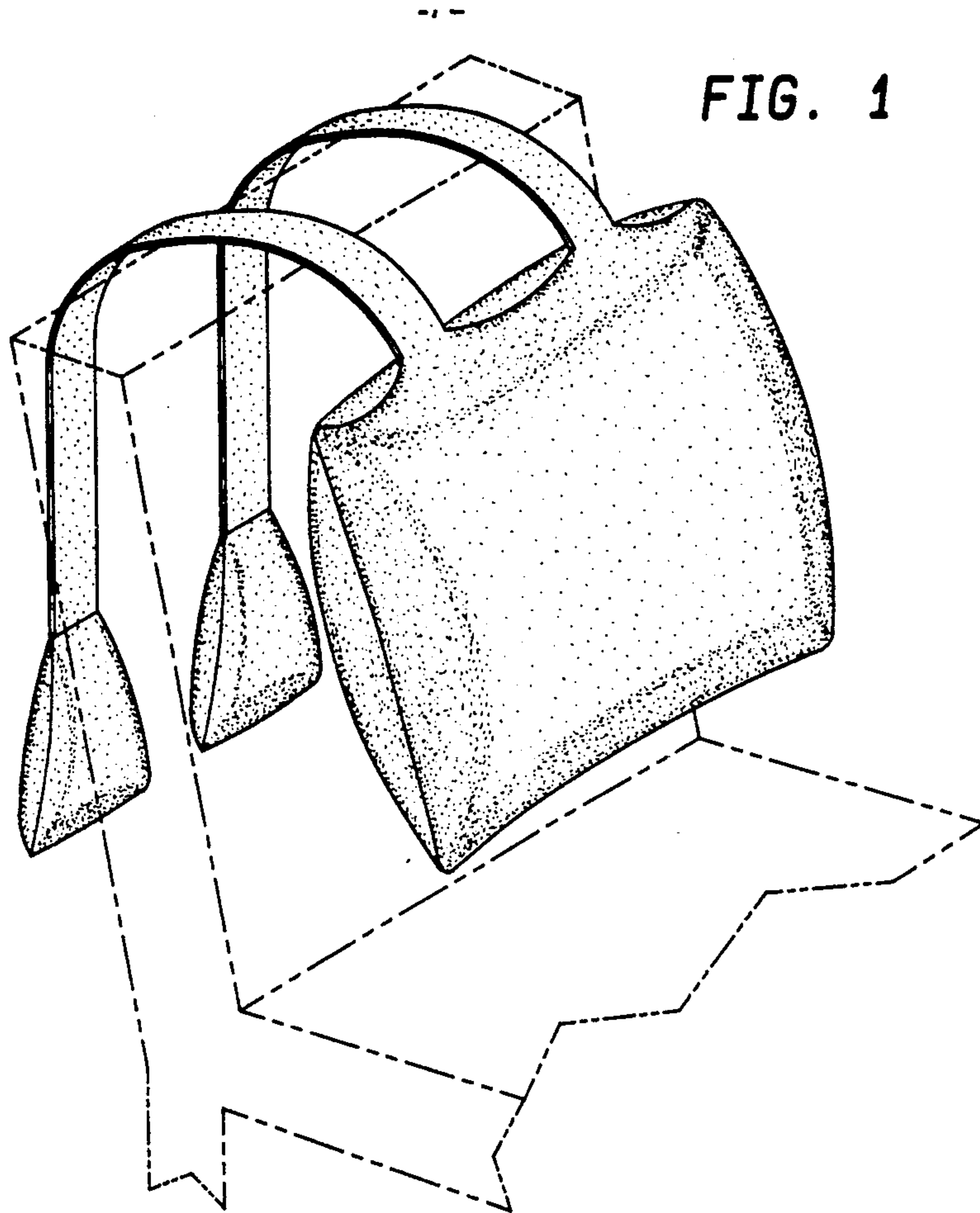


FIG. 1

FIG. 3

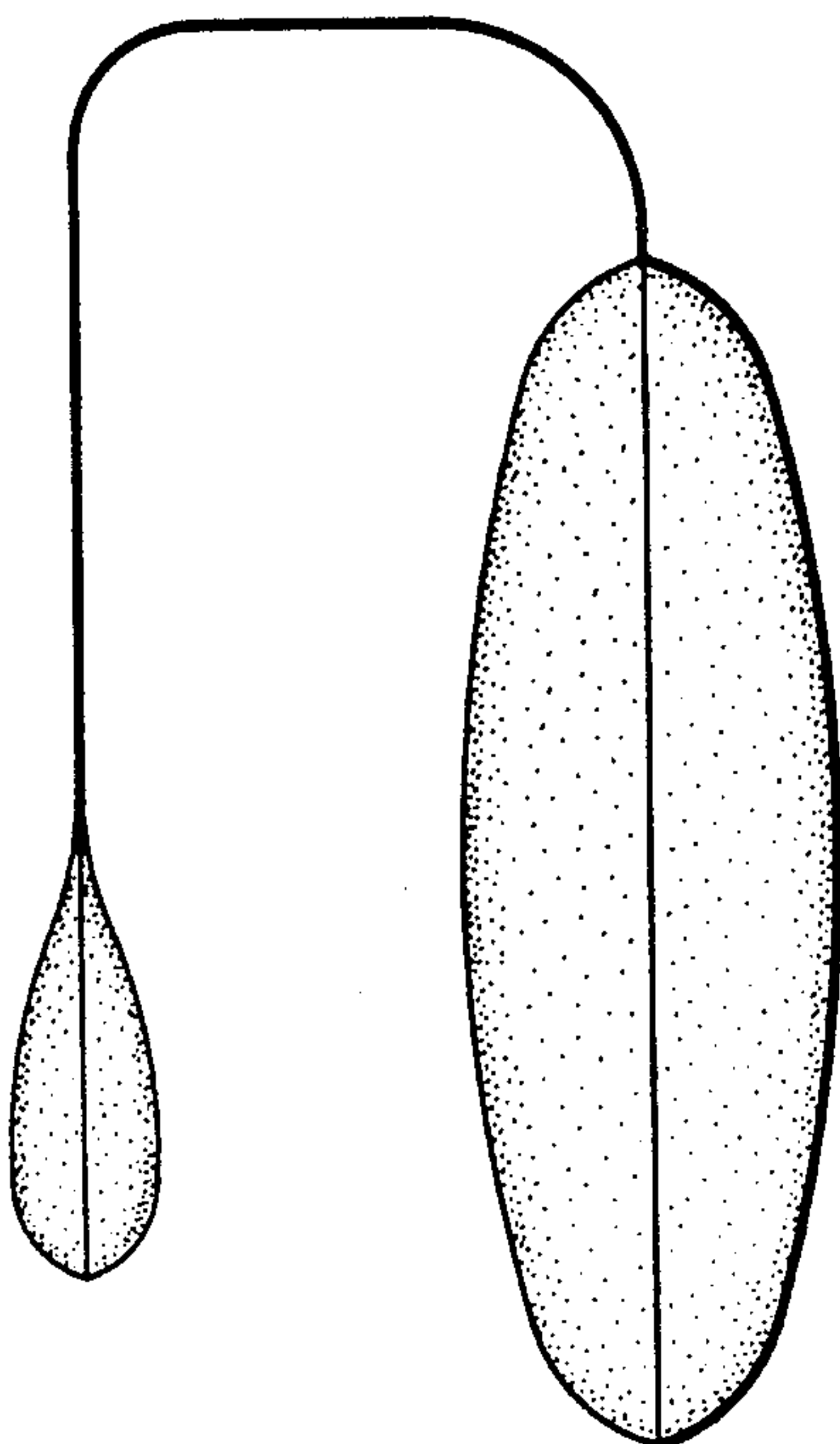


FIG. 2

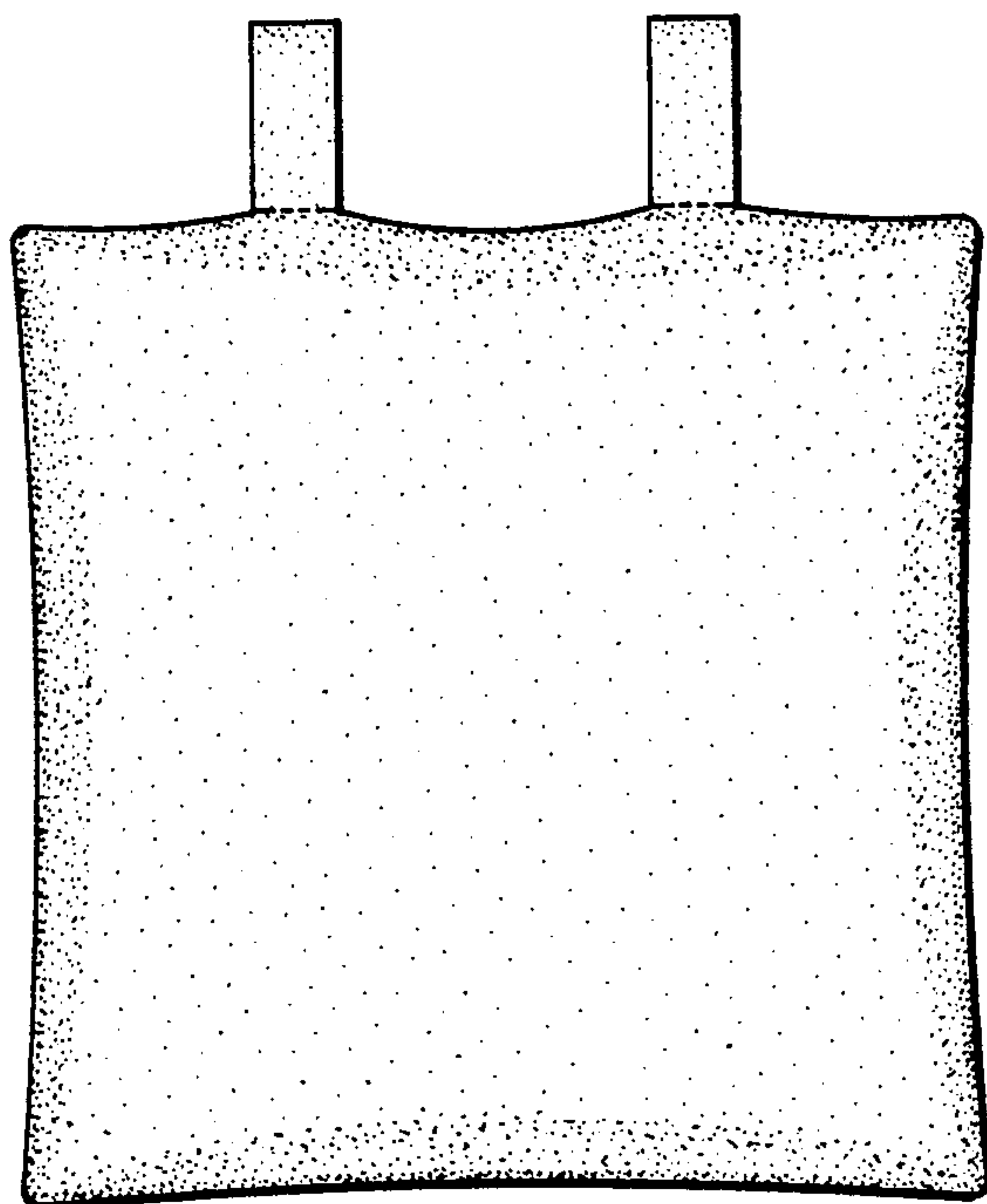


FIG. 4

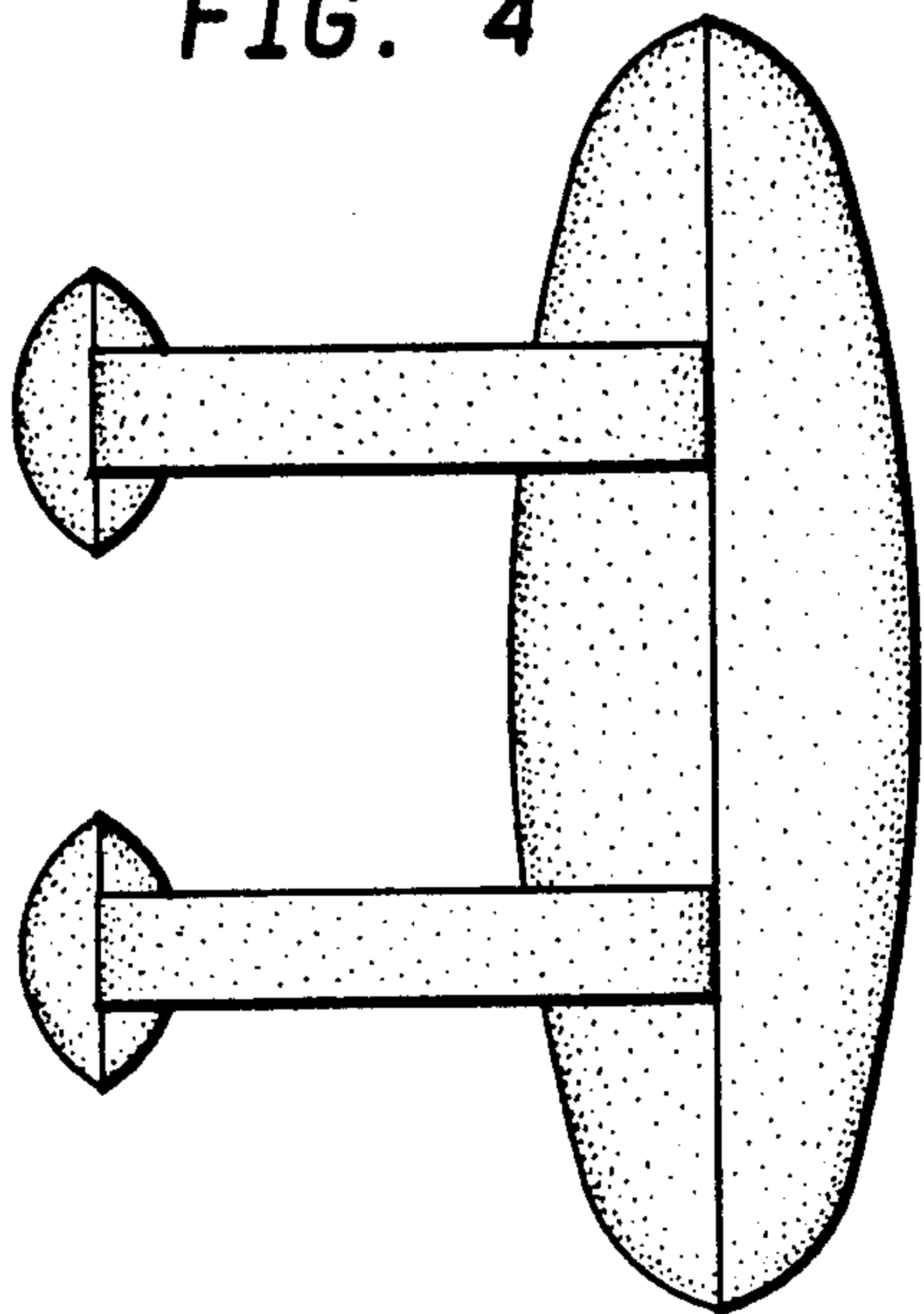


FIG. 5

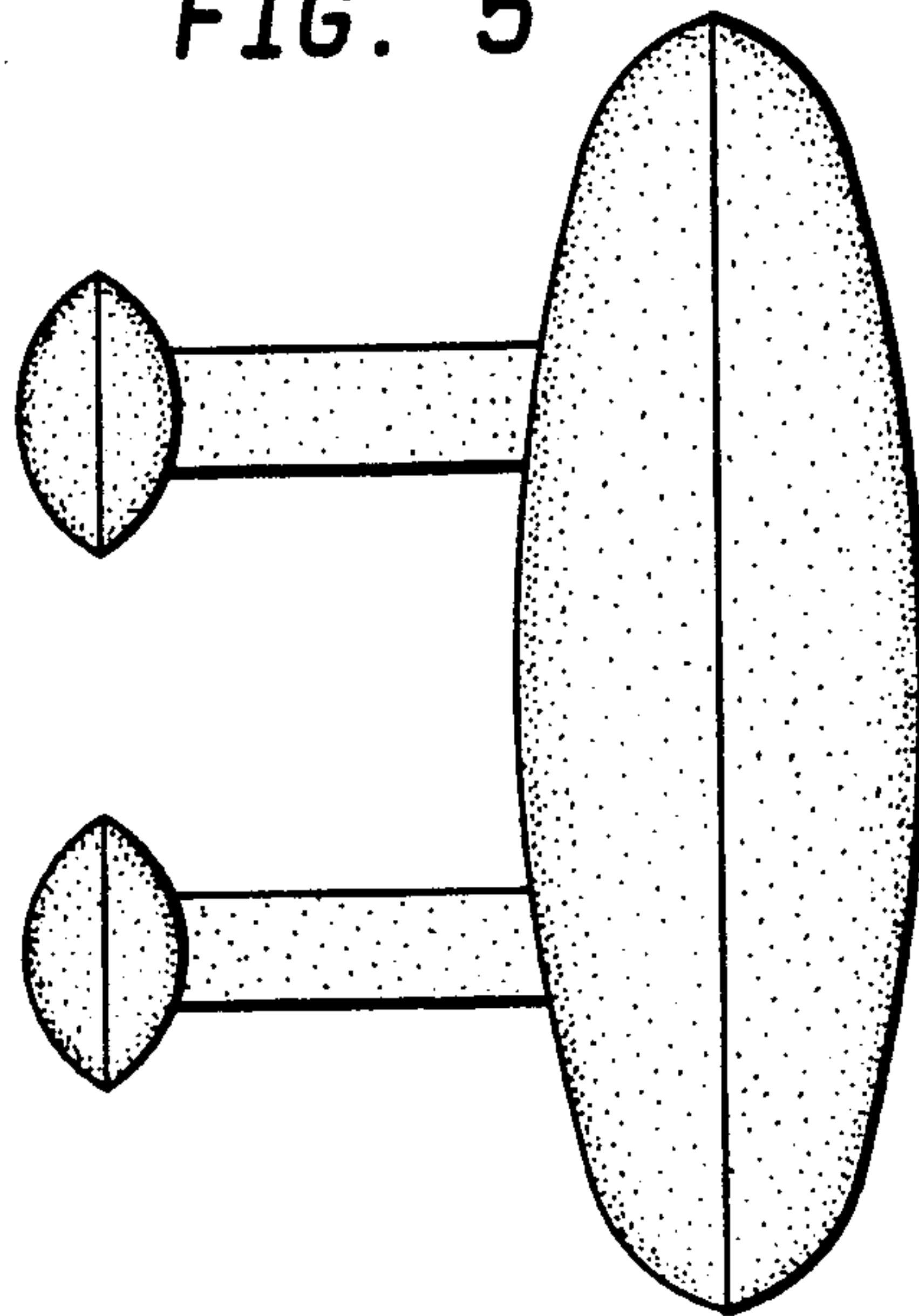


FIG. 6

