

[54] PERMANENT WAVE TISSUE DISPENSER

[76] Inventors: Marvin T. Reid, 3913 Douglas; August J. Wesell, 3914 Douglas, both of Garland, Tex. 75041

[\*\*] Term: 14 Years

[21] Appl. No.: 204,789

[22] Filed: Jun. 10, 1988

[52] U.S. Cl. .... D6/518; D19/67; D28/10

[58] Field of Search ..... D6/512, 515, 518-519, D6/522-523, 542; 206/389; 221/191, 41; 242/55.2, 55.53; 312/39; D19/67-68; D28/10

[56] References Cited

U.S. PATENT DOCUMENTS

D. 256,330	8/1980	Becker	.....	D19/67
D. 271,921	12/1983	Yoo	.....	D6/542
D. 300,892	5/1989	McCroory	.....	D6/518
4,324,345	4/1982	Martinez	.....	221/41

Primary Examiner—Wallace R. Burke  
Assistant Examiner—Brian N. Vinson

Attorney, Agent, or Firm—T. D. Copeland

[57] CLAIM

The ornamental design for a permanent wave tissue dispenser, as shown and described.

DESCRIPTION

FIG. 1 is a right side elevational view of a permanent wave tissue dispenser showing our new design;  
 FIG. 2 is a rear elevational view thereof;  
 FIG. 3 is a top plan view thereof;  
 FIG. 4 is a bottom plan view thereof;  
 FIG. 5 is a front elevational view thereof;  
 FIG. 6 is a left side elevational view thereof;  
 FIG. 7 is a right side elevational view of an alternate embodiment thereof;  
 FIG. 8 is a rear elevational view of the embodiment of FIG. 7;  
 FIG. 9 is a top plan view of the embodiment of FIG. 7;  
 FIG. 10 is a bottom plan view of the embodiment of FIG. 7;  
 FIG. 11 is a front elevational view of the embodiment of FIG. 7; and  
 FIG. 12 is a left side elevational view of the embodiment of FIG. 7.

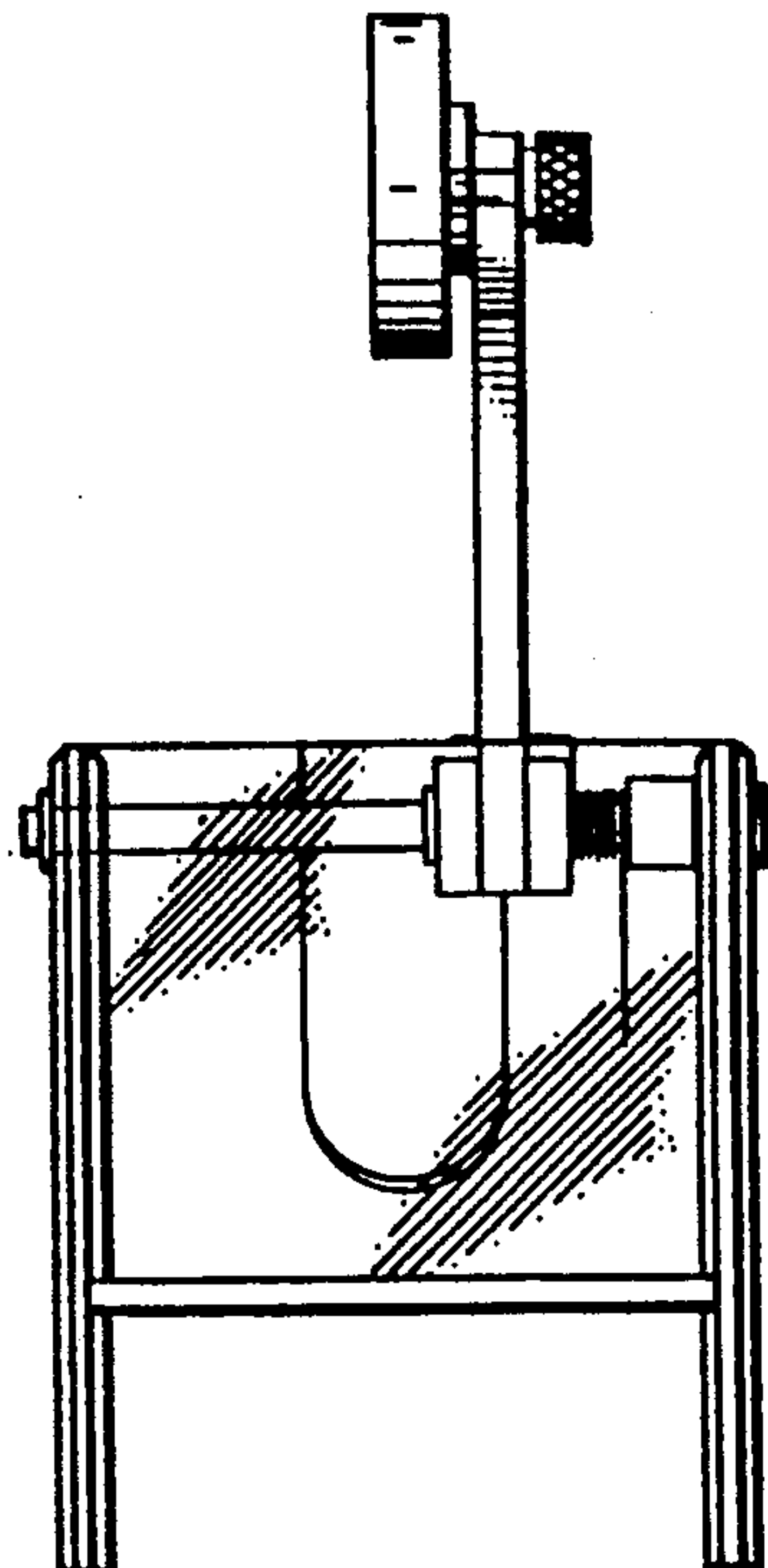
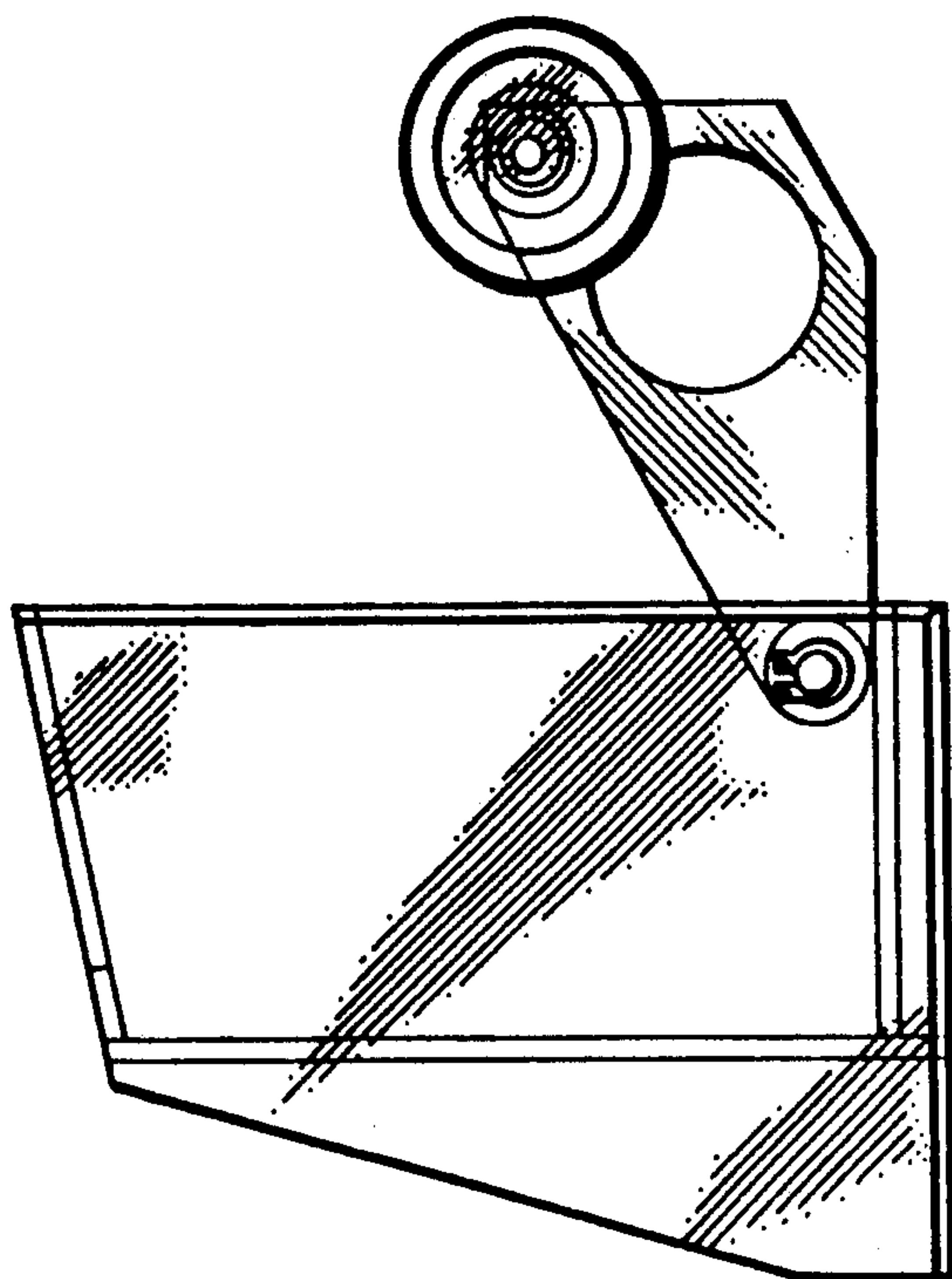


FIG. 1

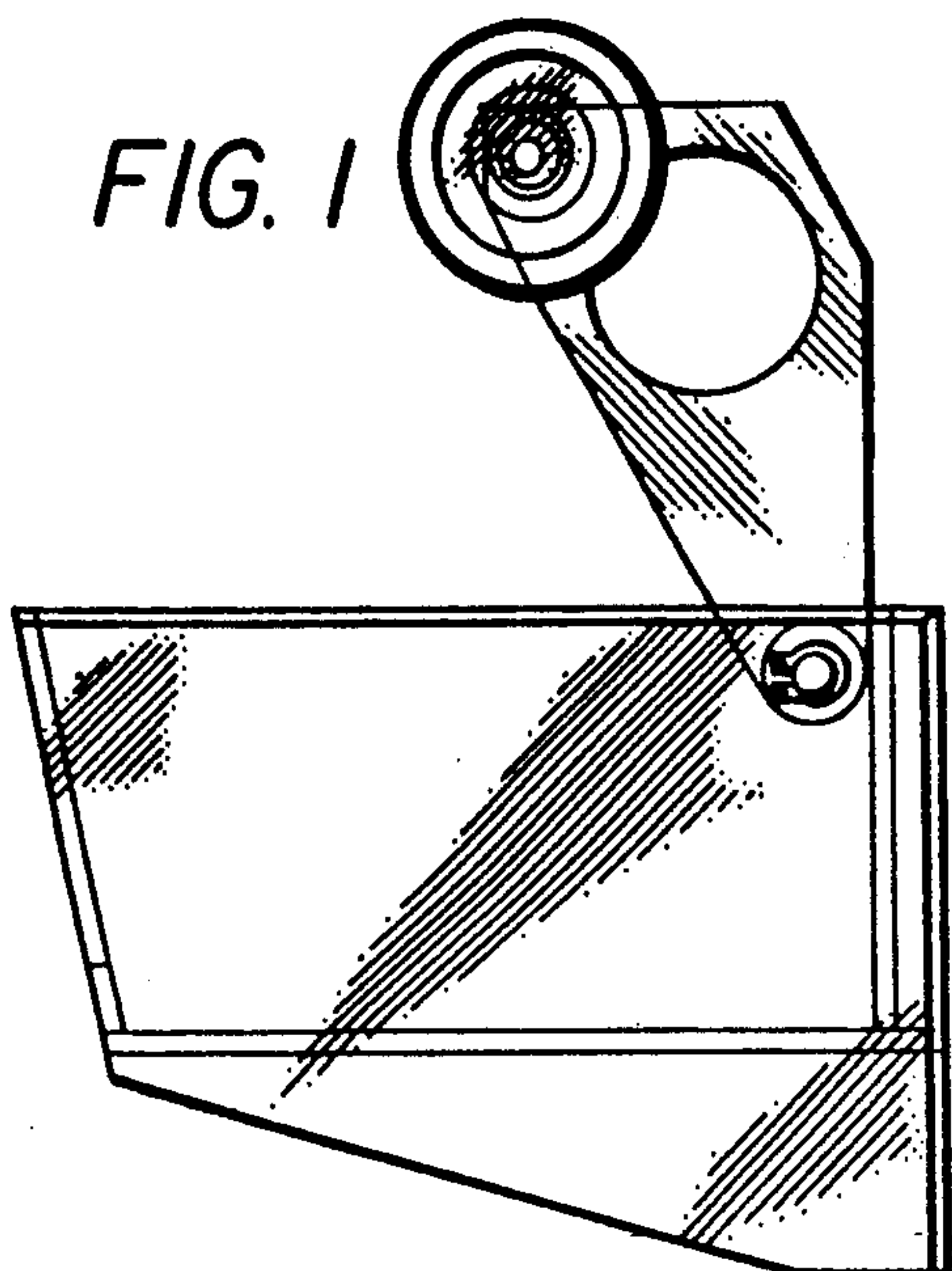


FIG. 2

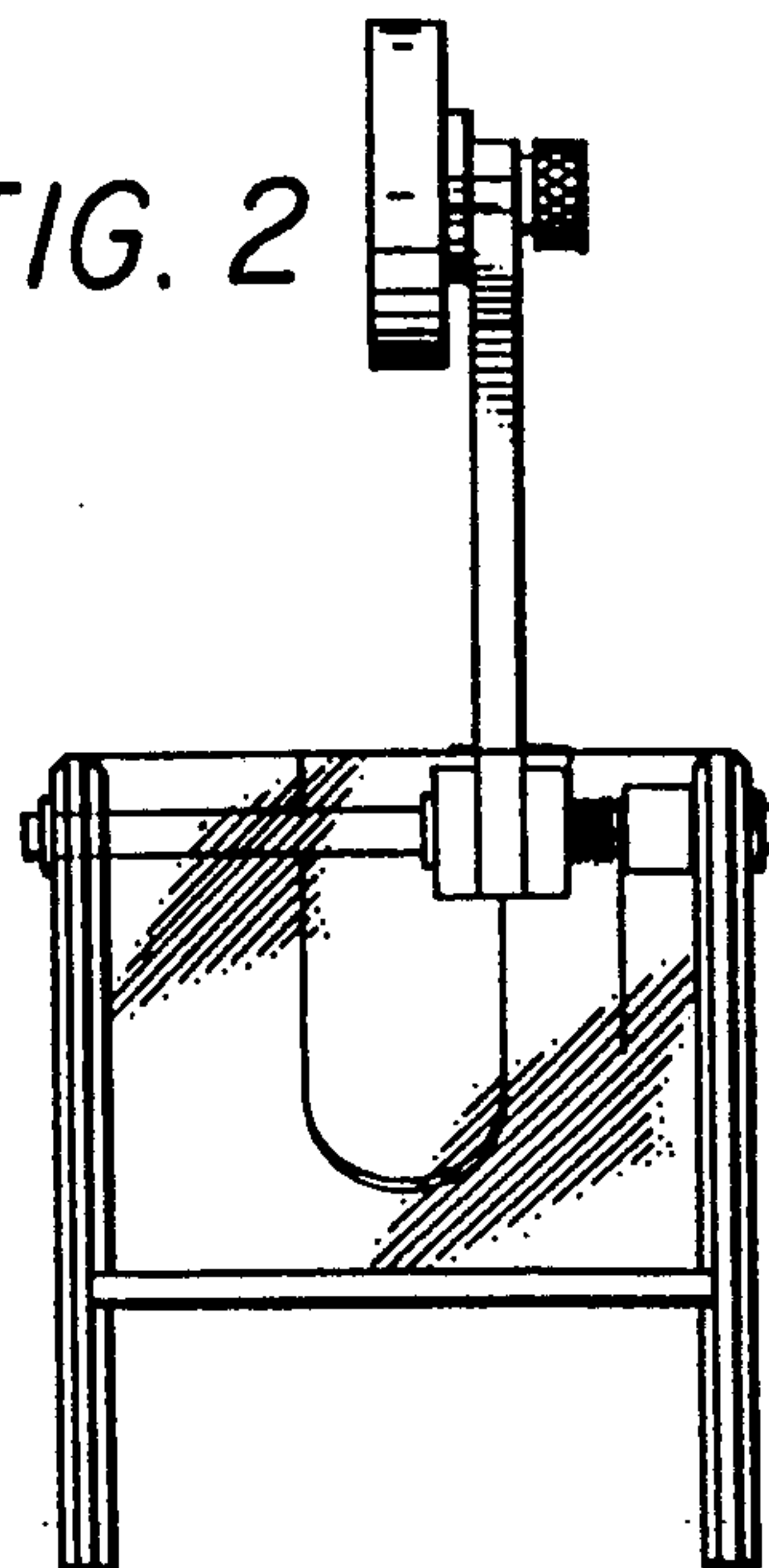


FIG. 3

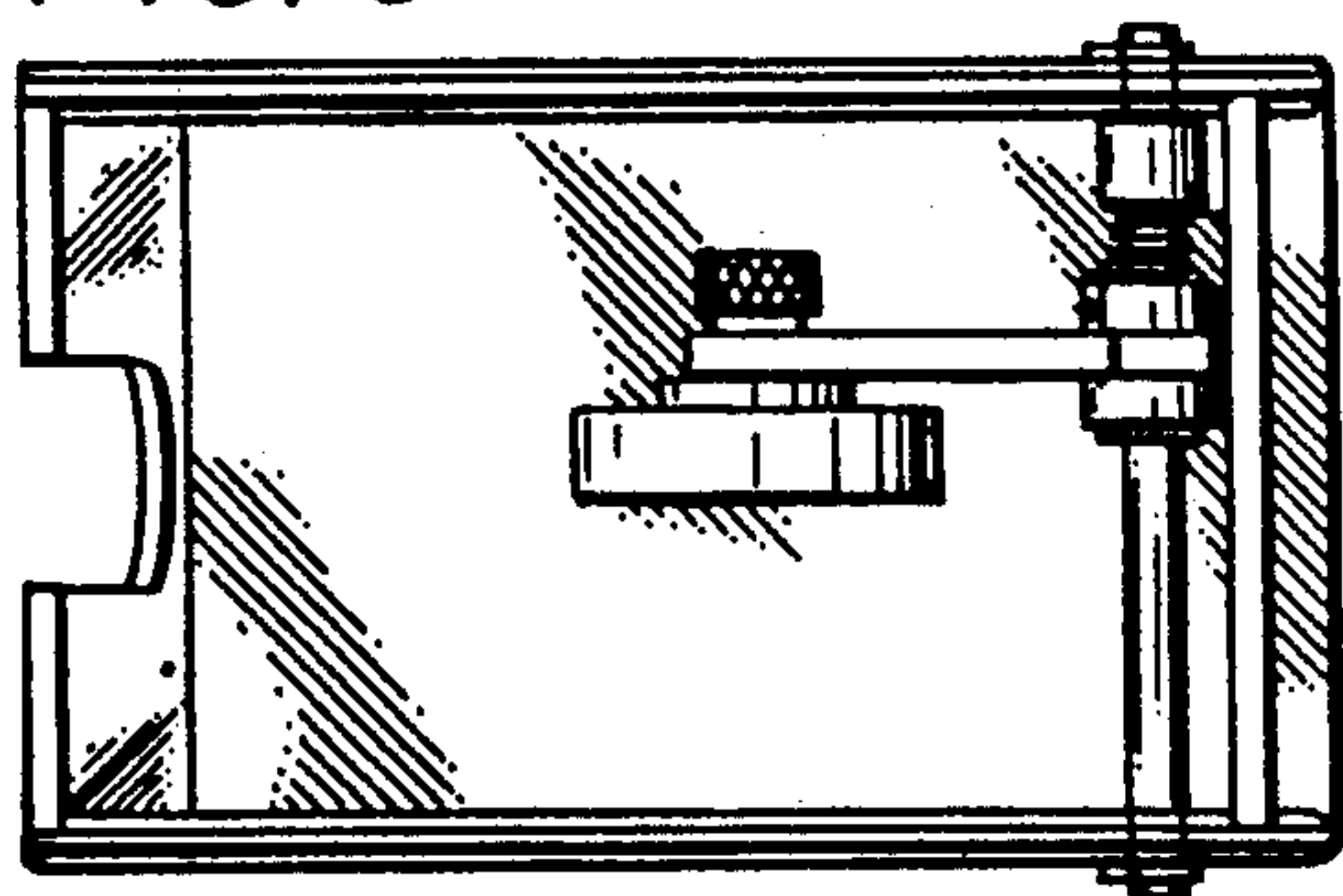


FIG. 4

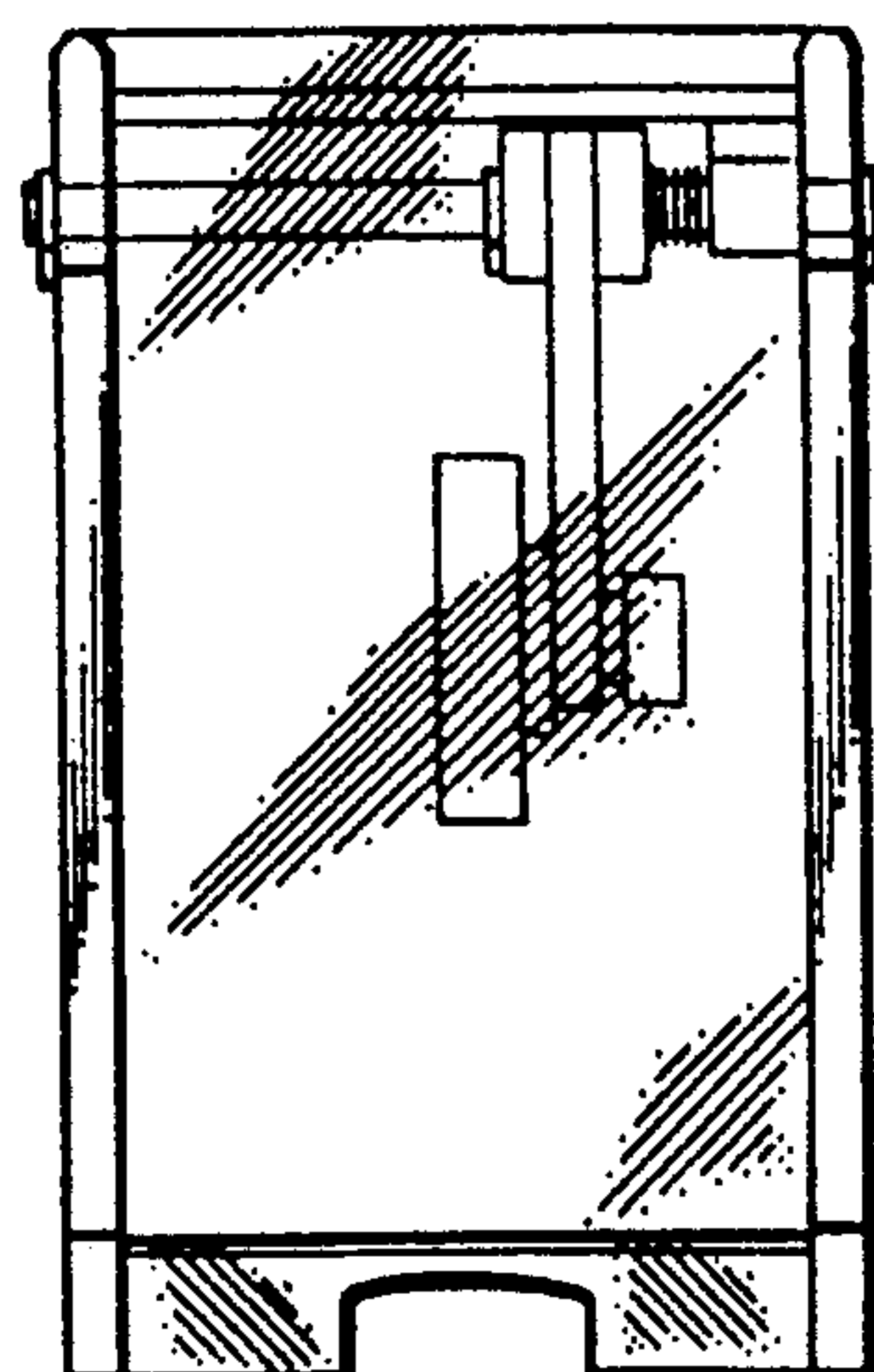


FIG. 5

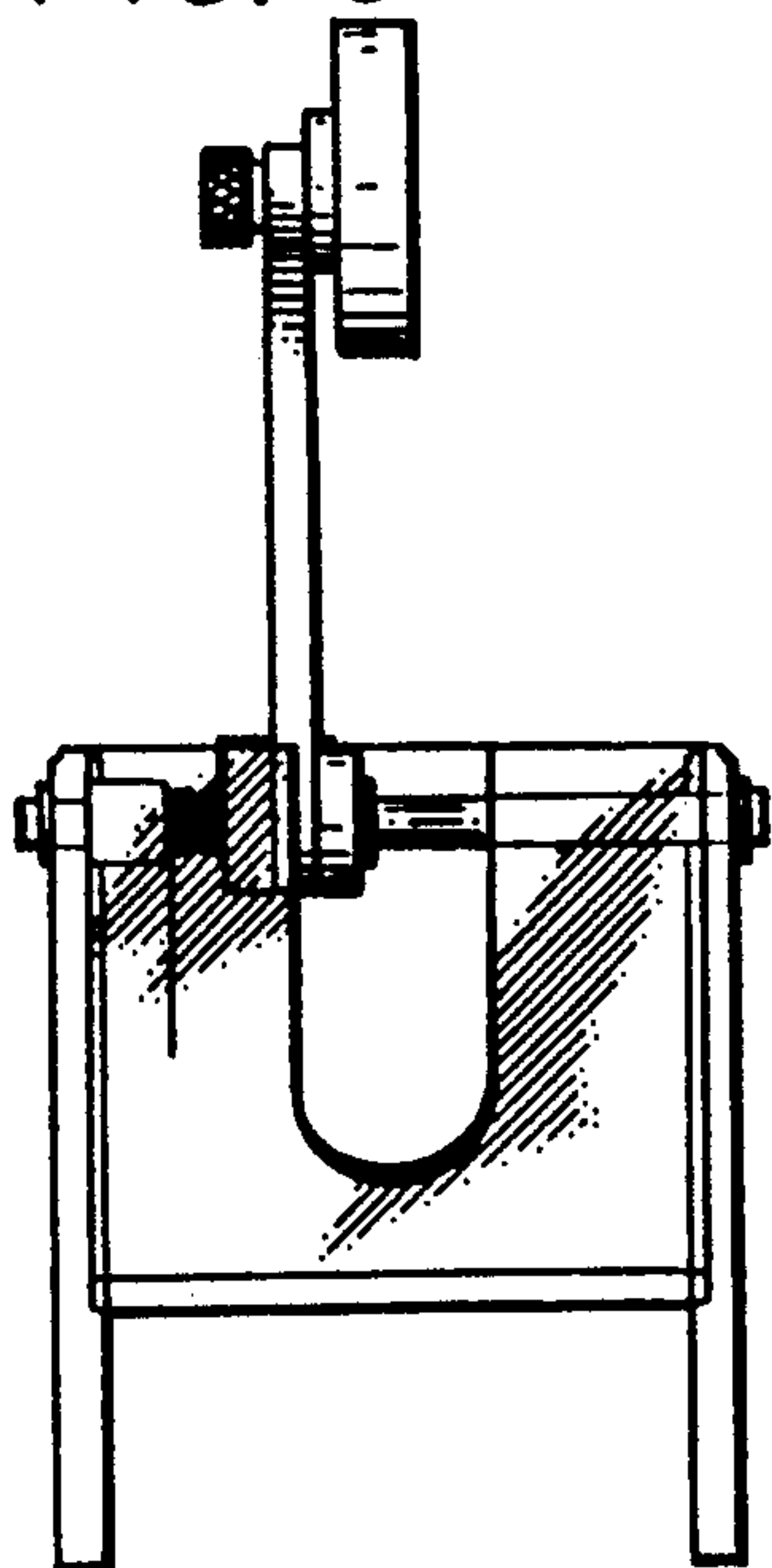


FIG. 6

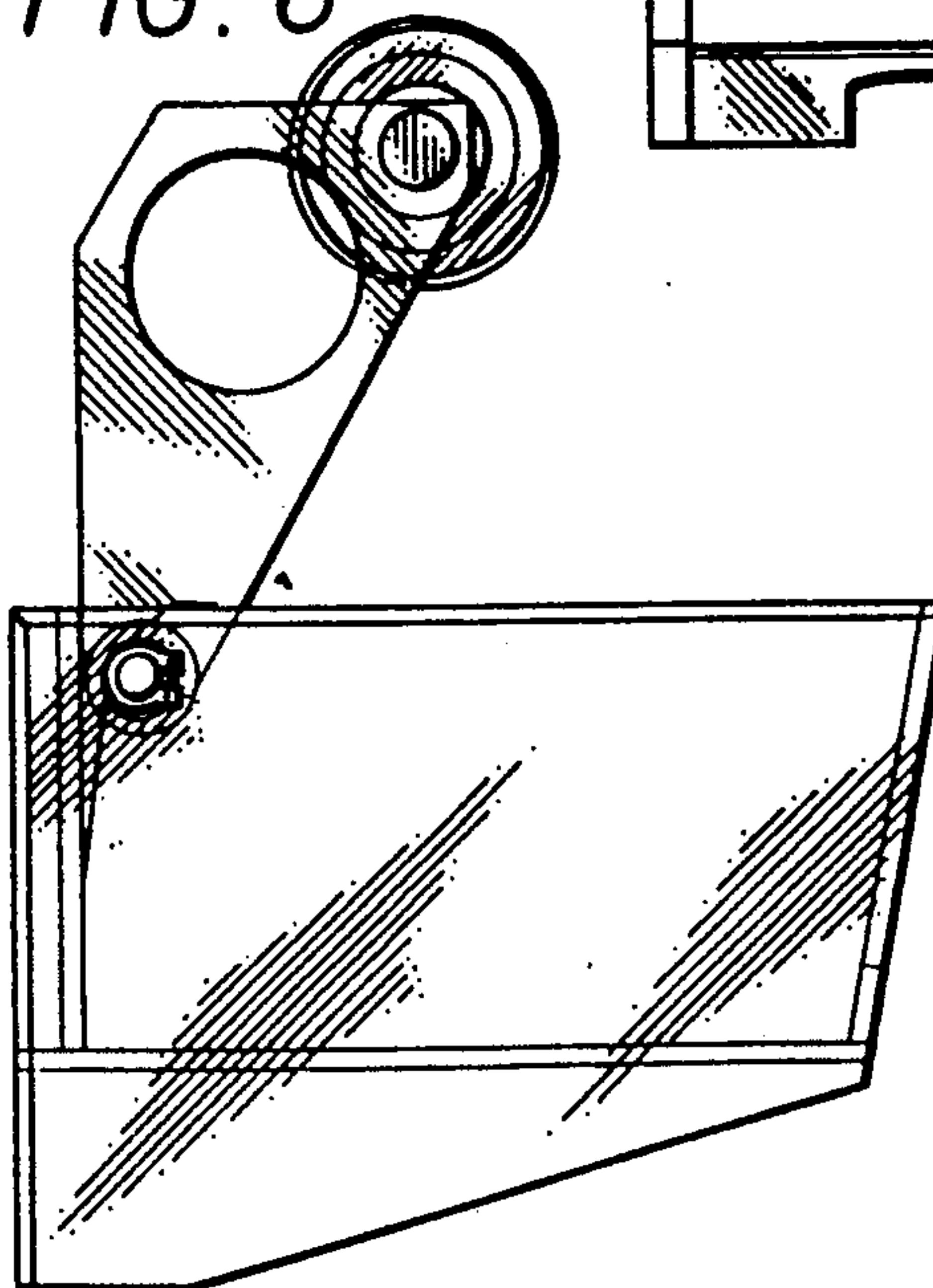




FIG. 7

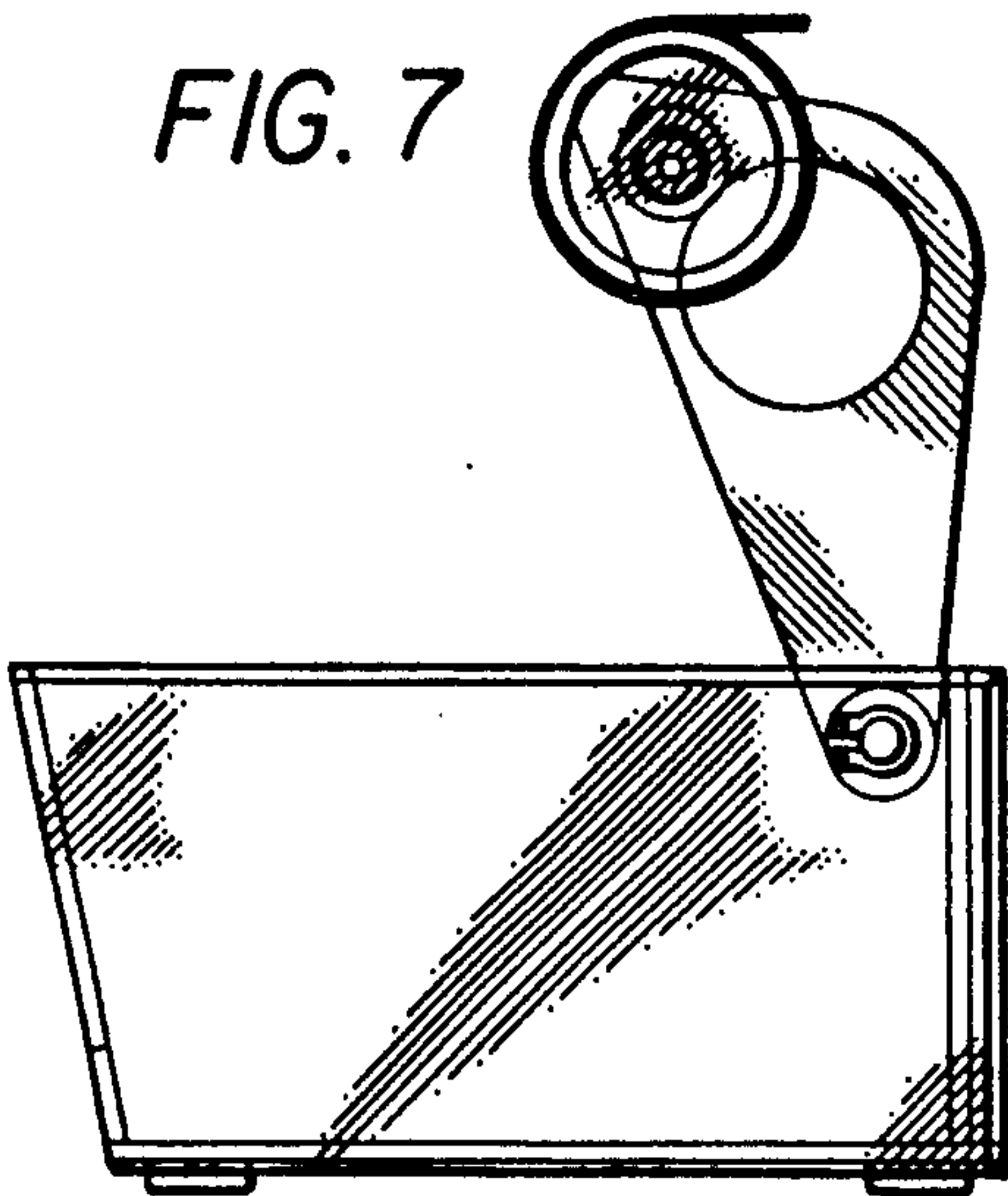


FIG. 8

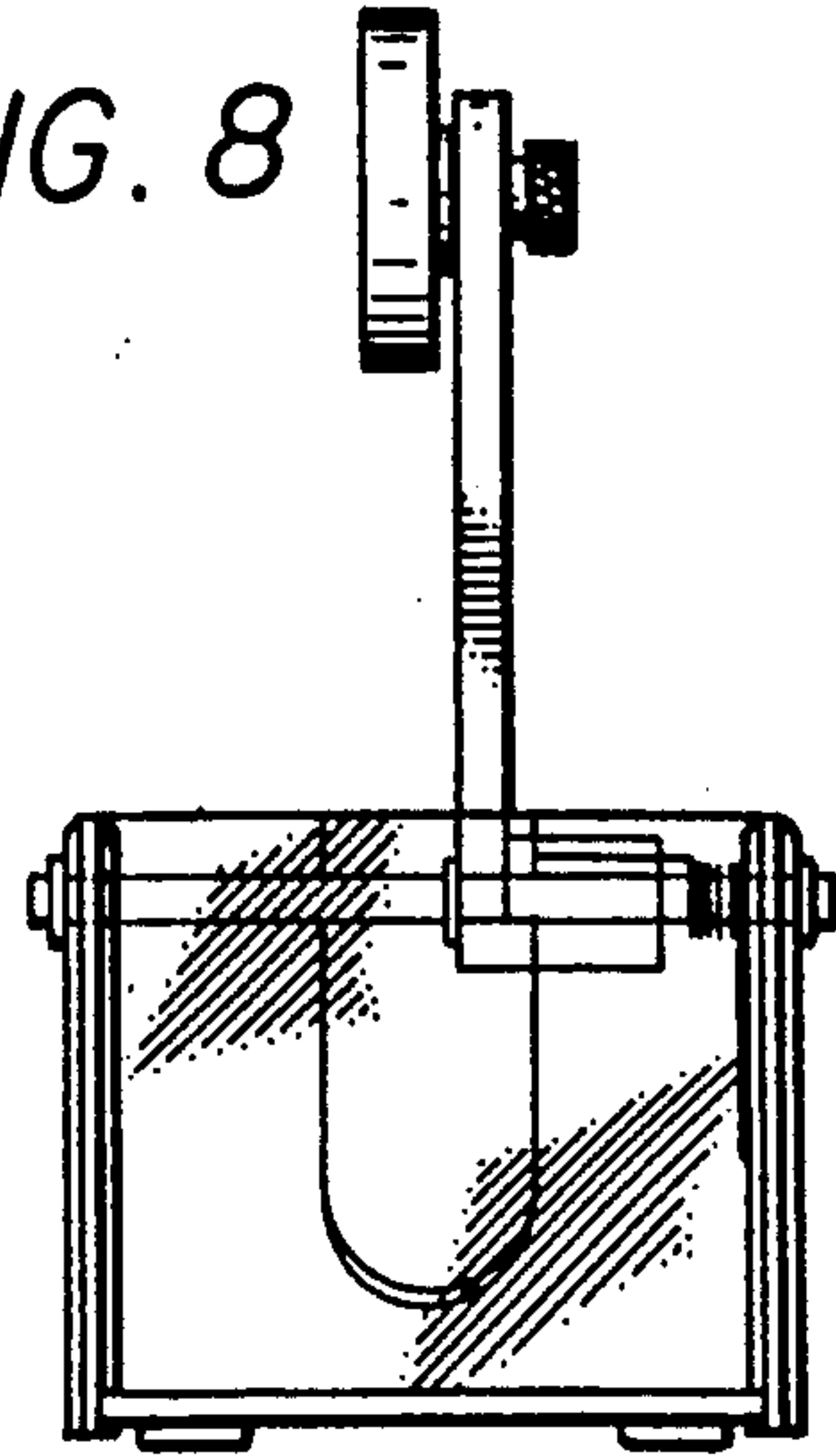


FIG. 9

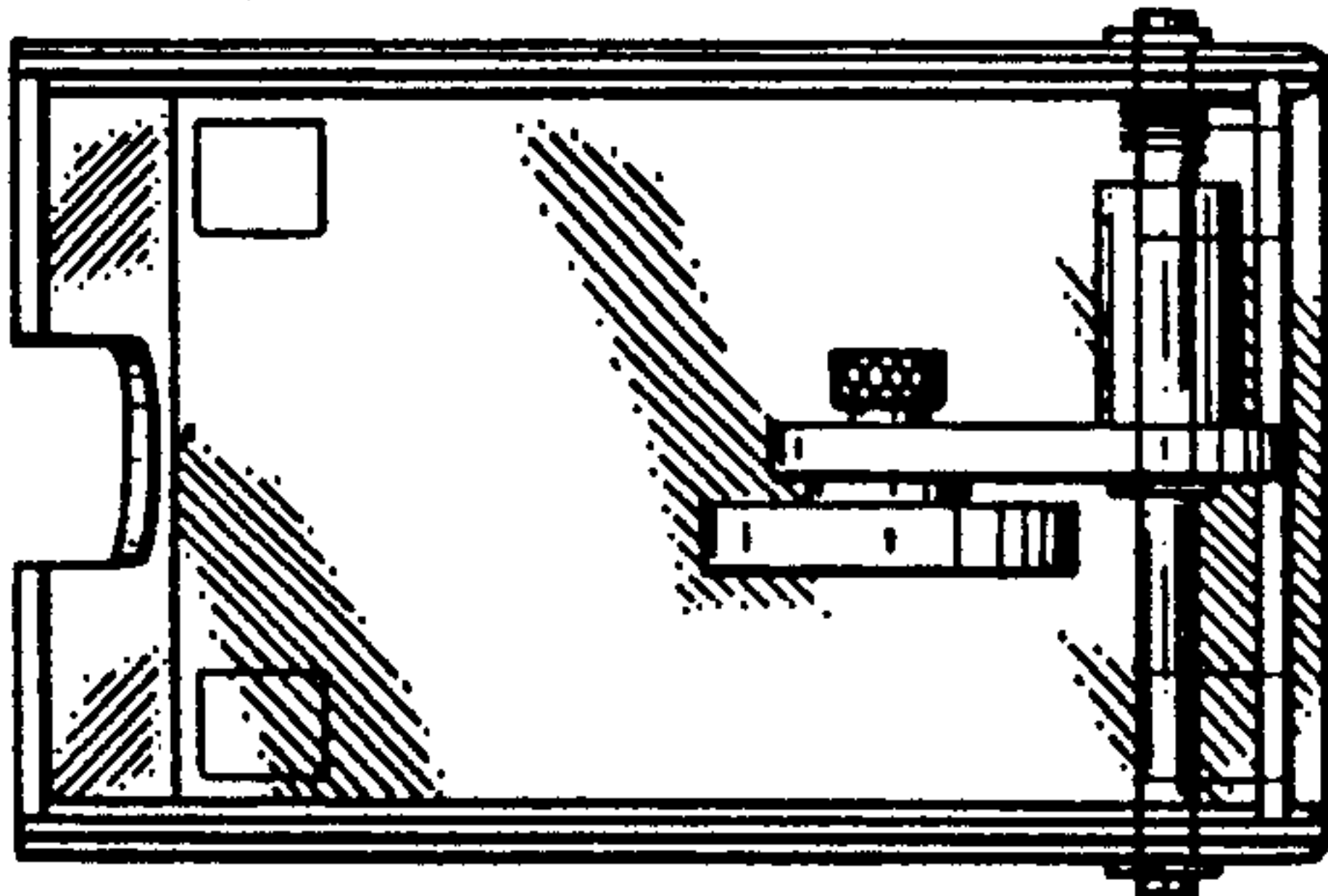


FIG. 10

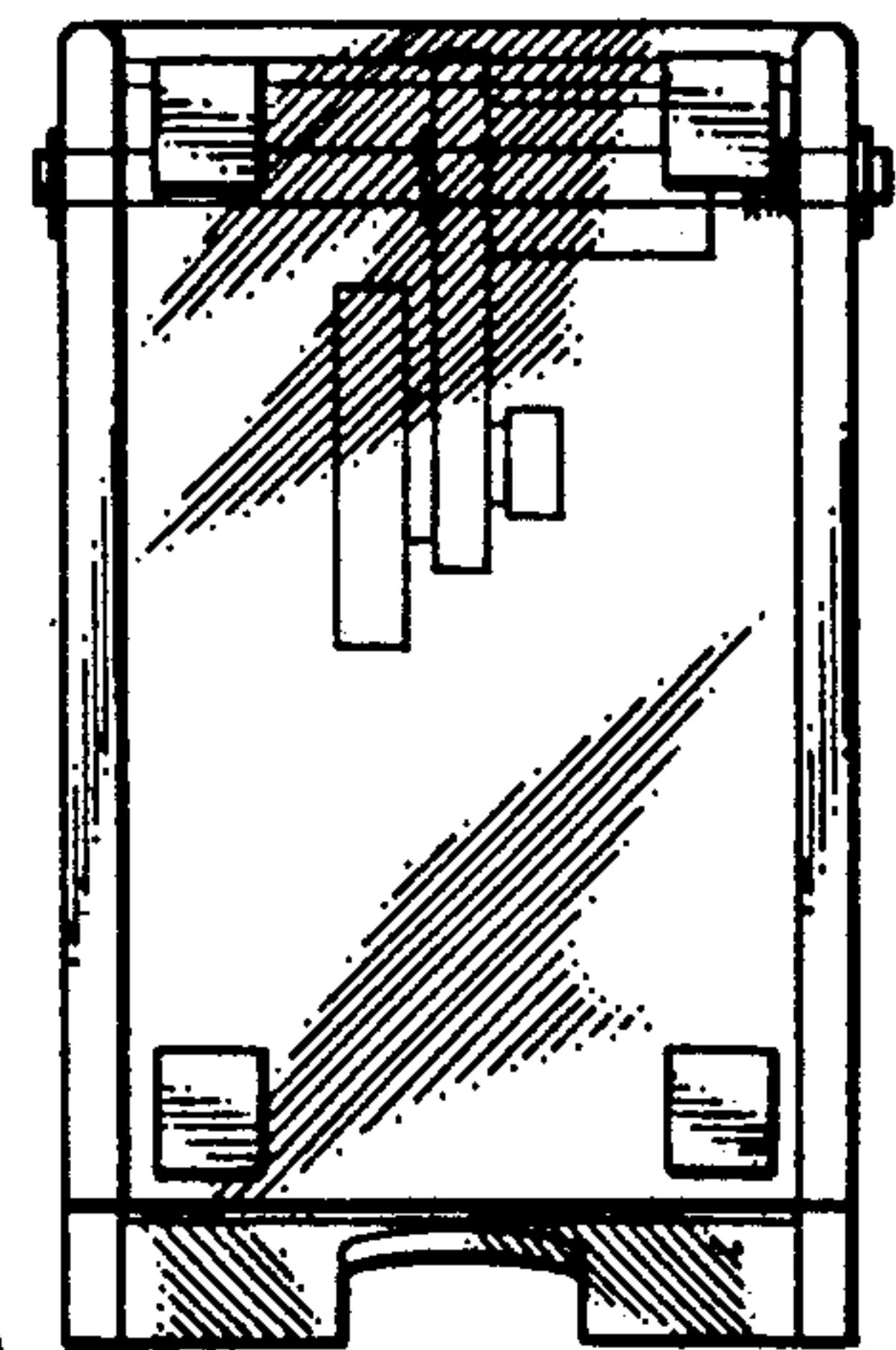


FIG. 11

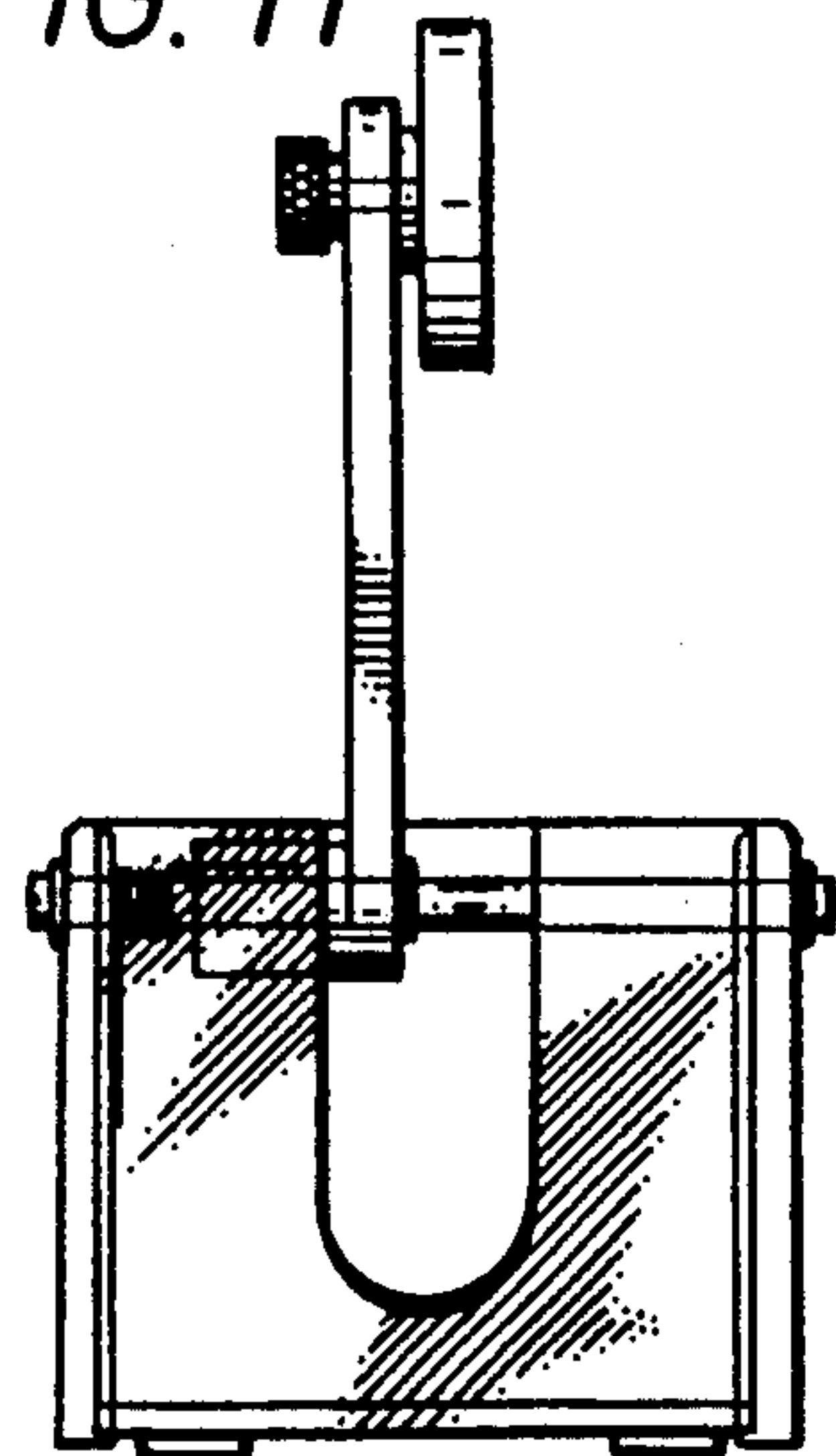


FIG. 12

