

[54] **ADJUSTABLE BOATING CHAIR PEDESTAL**

[75] **Inventor: Howard G. Goldsmith, Cranston, R.I.**

[73] **Assignee: Todd Enterprises, Inc., Cranston, R.I.**

[\*\*] **Term: 14 Years**

[21] **Appl. No.: 947,765**

[22] **Filed: Dec. 23, 1986**

[52] **U.S. Cl. .... D6/495; D6/464**

[58] **Field of Search ..... D6/353, 362, 364, 367,  
D6/491, 495, 496, 497, 344, 500, 349, 501;  
297/312, 313, 329, 344, 345, 349**

[56] **References Cited**

**U.S. PATENT DOCUMENTS**

D. 275,155	8/1984	Carlin	.....	D6/353
D. 289,584	5/1987	Pratt	.....	D6/364
1,326,417	12/1919	Paine	.....	297/344 X
3,642,320	2/1972	Ward	.....	297/349 X
4,366,981	1/1983	Ziegler et al.	.....	297/349 X

**FOREIGN PATENT DOCUMENTS**

2837558 3/1980 Fed. Rep. of Germany ..... 297/345

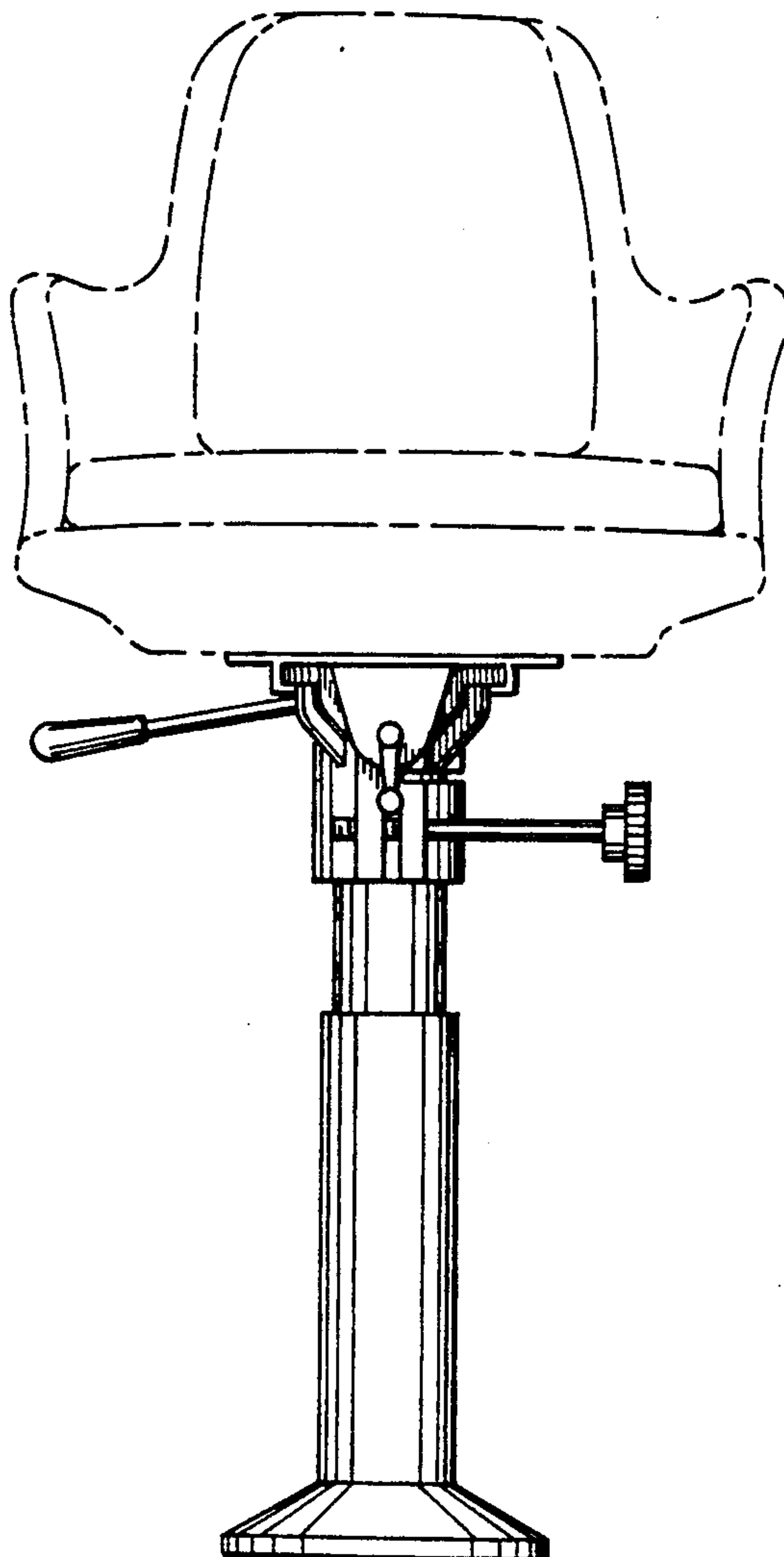
*Primary Examiner*—Bruce W. Dunkins  
*Assistant Examiner*—Schon C. Oppert  
*Attorney, Agent, or Firm*—Salter & Michaelson

[57] **CLAIM**

The ornamental design for an adjustable boating chair pedestal, as shown and described.

**DESCRIPTION**

FIG. 1 is a left side elevational view of an adjustable boating chair pedestal showing my new design; FIG. 2 is a front elevational view thereof; FIG. 3 is a top plan view thereof; FIG. 4 is a right side elevational view thereof; and FIG. 5 is a rear elevational view thereof. The chair portion shown in broken lines is to illustrate use of the instant design and forms no part of the invention.



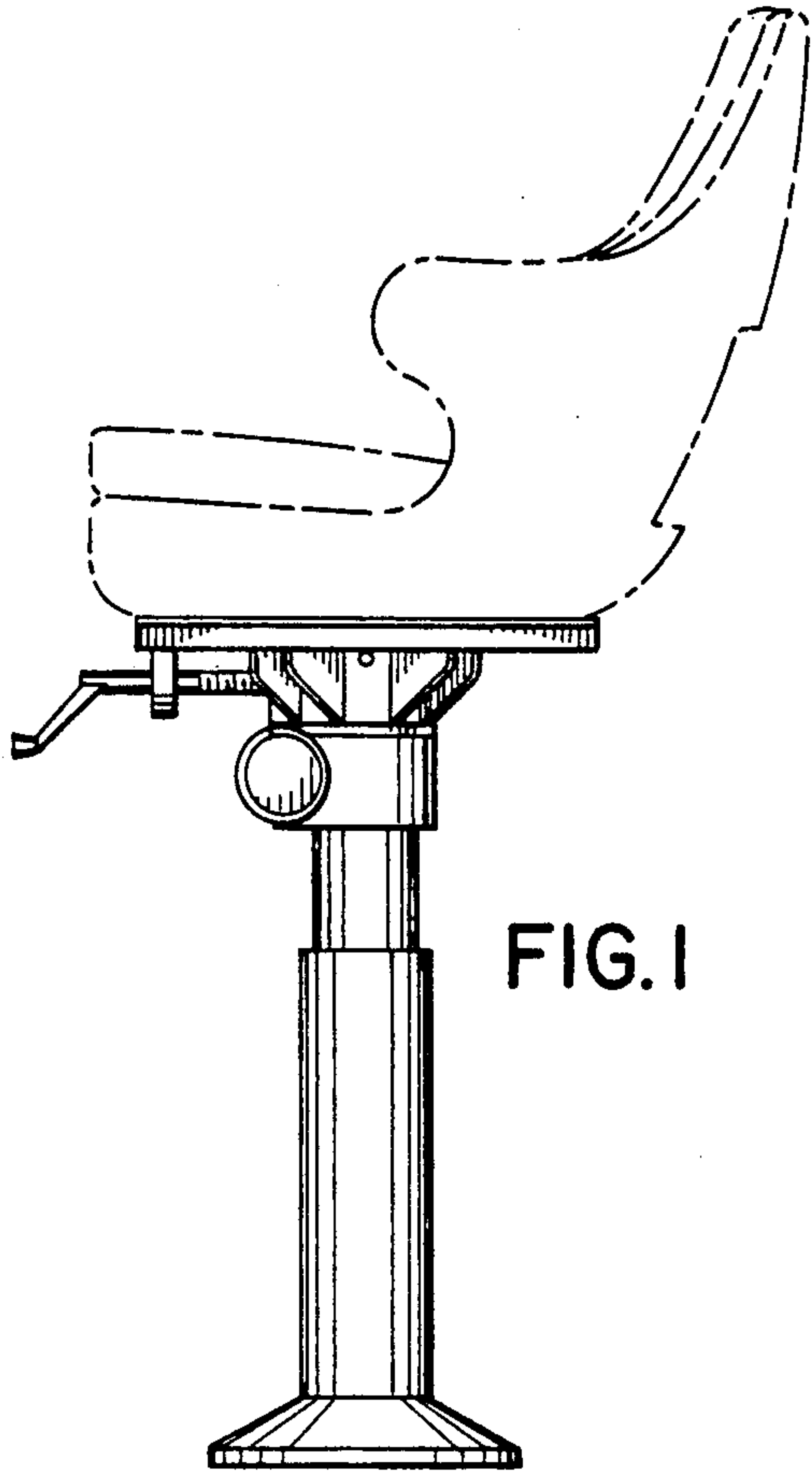


FIG. 1

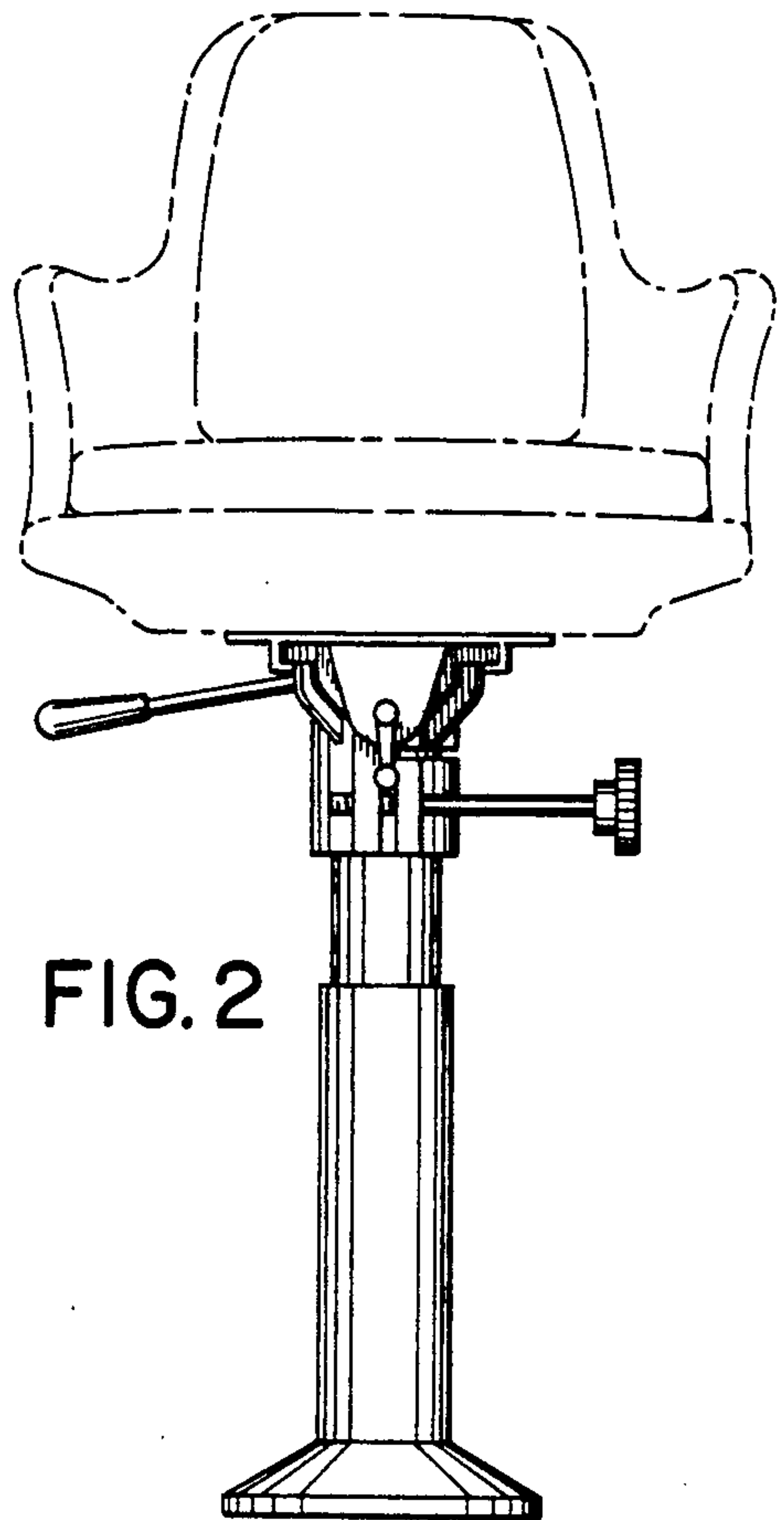


FIG. 2

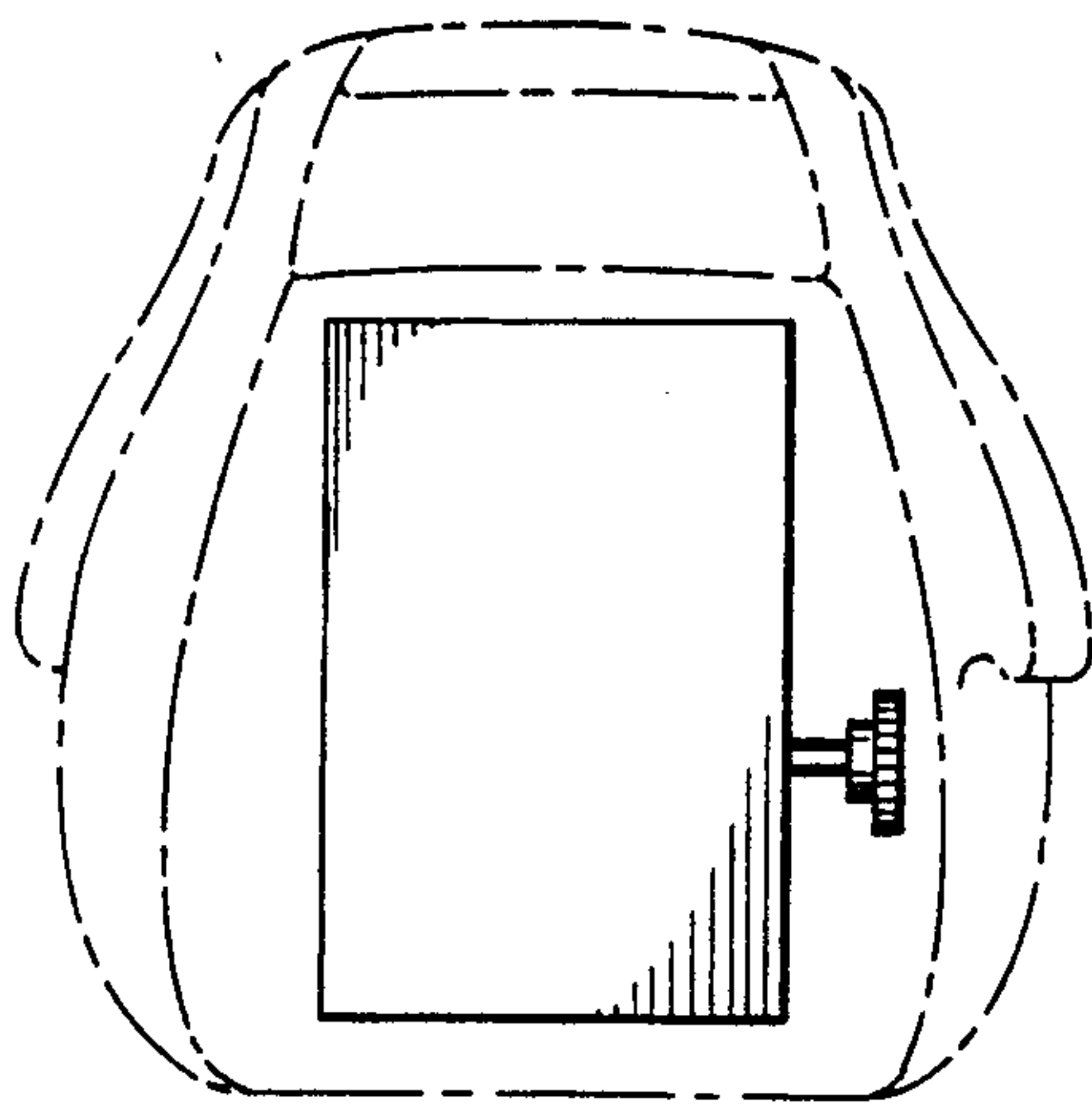


FIG. 3

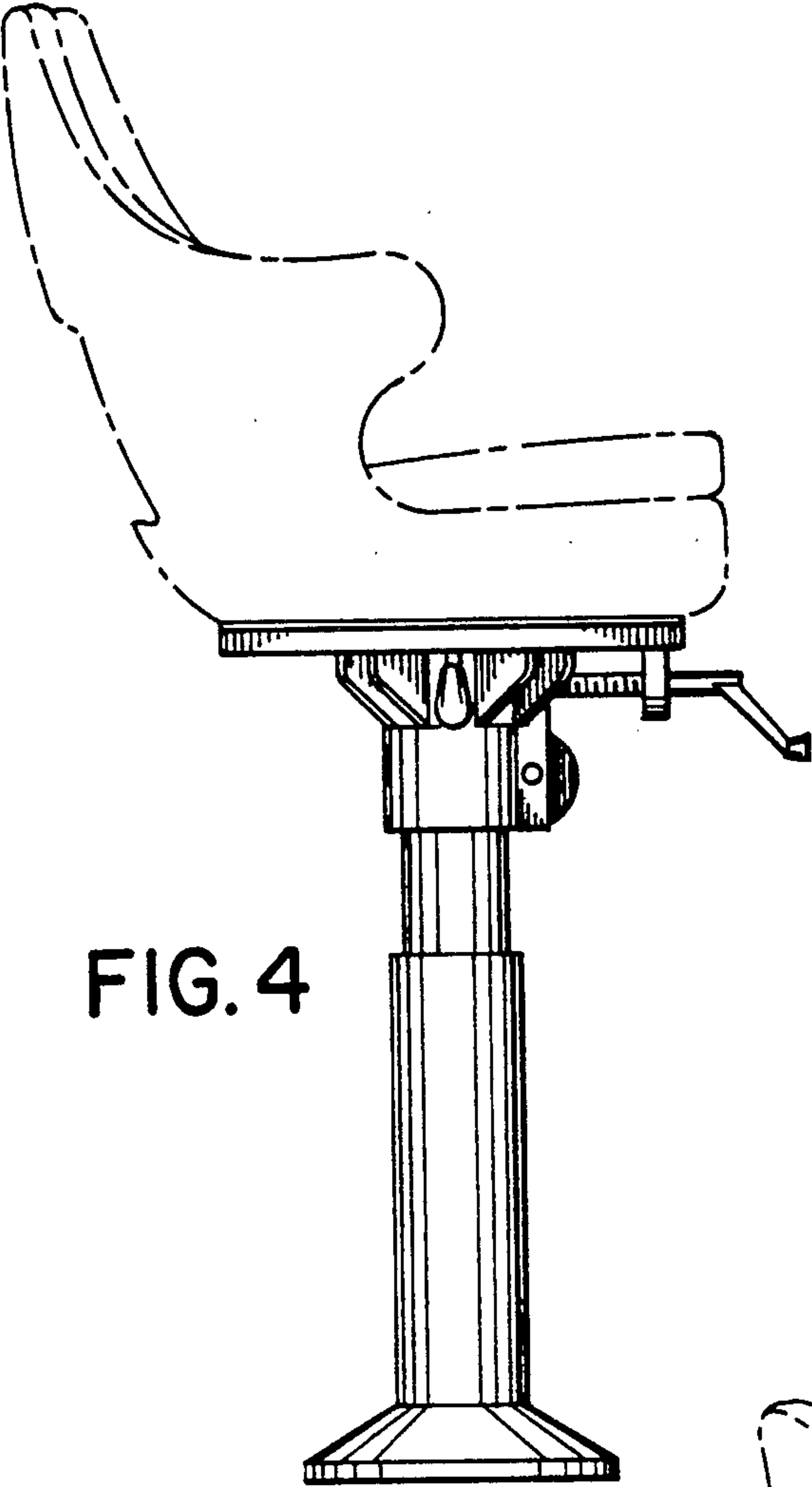


FIG. 4

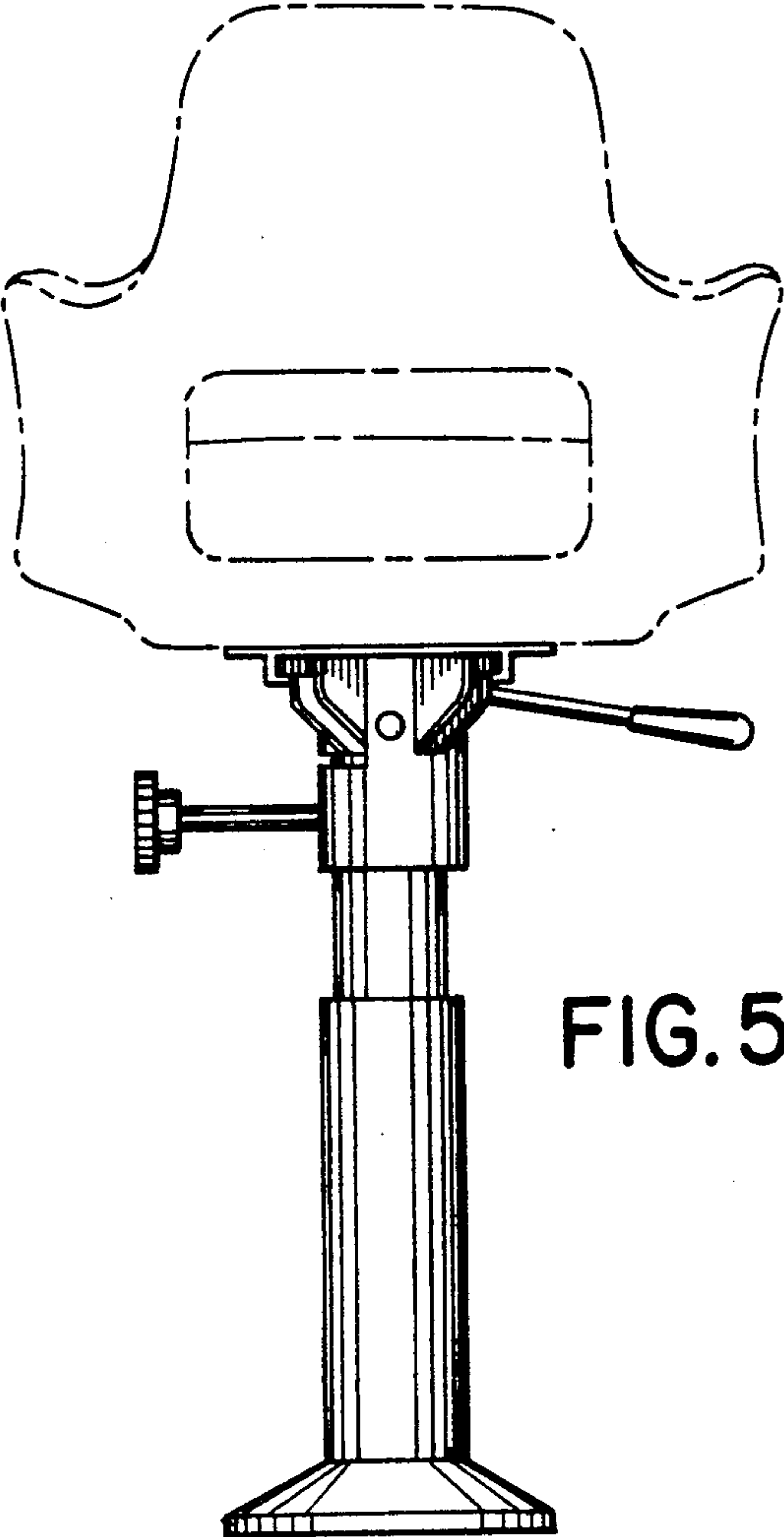


FIG. 5