

[54] BASEBALL MOTIF PICTURE FRAME

D. 261,463 10/1981 Martin D6/303

[76] Inventor: Susan M. Masterson, 8707 W. 102nd St., Apt. #3, Overland Park, Kans. 66212

Primary Examiner—Bernard Ansher
Assistant Examiner—Terry A. Pfeffer
Attorney, Agent, or Firm—Hovey, Williams, Timmons & Collins

[**] Term: 14 Years

[57] CLAIM

[21] Appl. No.: 340,162

The ornamental design for baseball motif picture frame, as shown and described.

[22] Filed: Apr. 18, 1989

[52] U.S. Cl. D6/303; D6/310; D11/133

DESCRIPTION

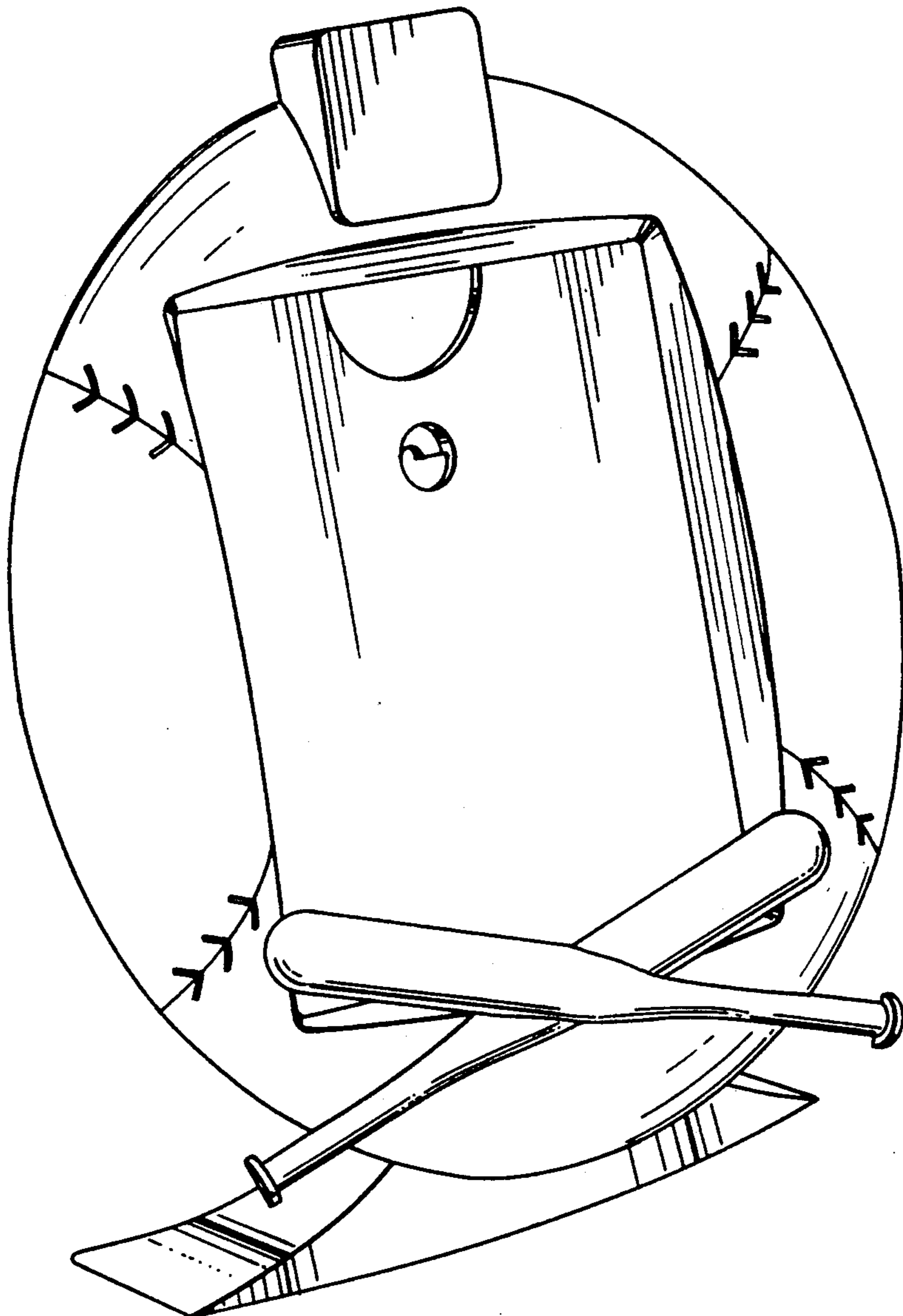
[58] Field of Search D6/300, 303, 310; D11/95, 99, 133, 157; 40/152, 152.1

FIG. 1 is a perspective view of a baseball motif picture frame showing my design;
FIG. 2 is a front elevational view thereof;
FIG. 3 is a side elevational view thereof;
FIG. 4 is a rear elevational view thereof;
FIG. 5 is a top plan view thereof; and
FIG. 6 is a bottom plan view thereof.

[56] References Cited

U.S. PATENT DOCUMENTS

D. 161,350 12/1950 Leventhal D6/303 X



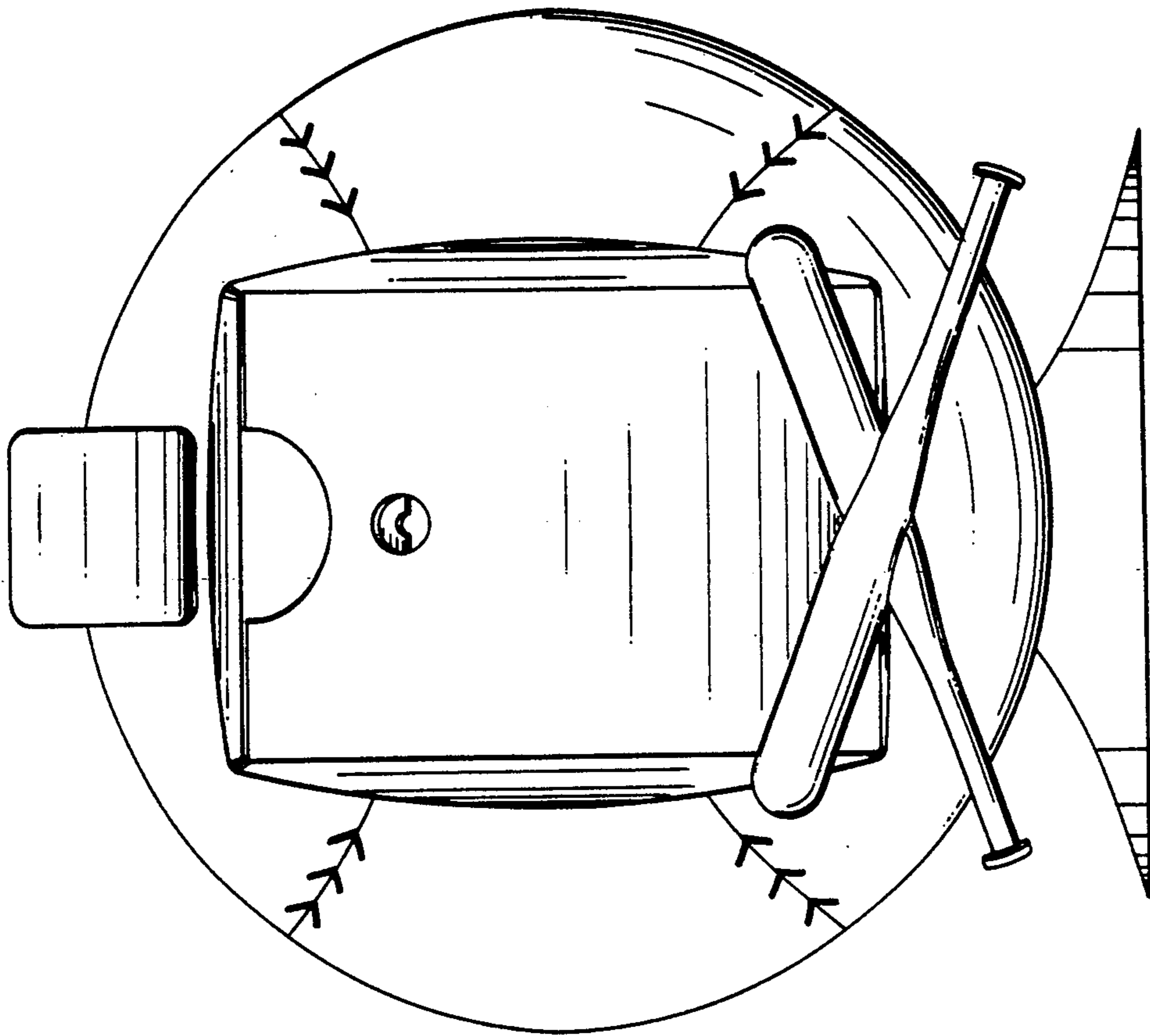


Fig. 2.

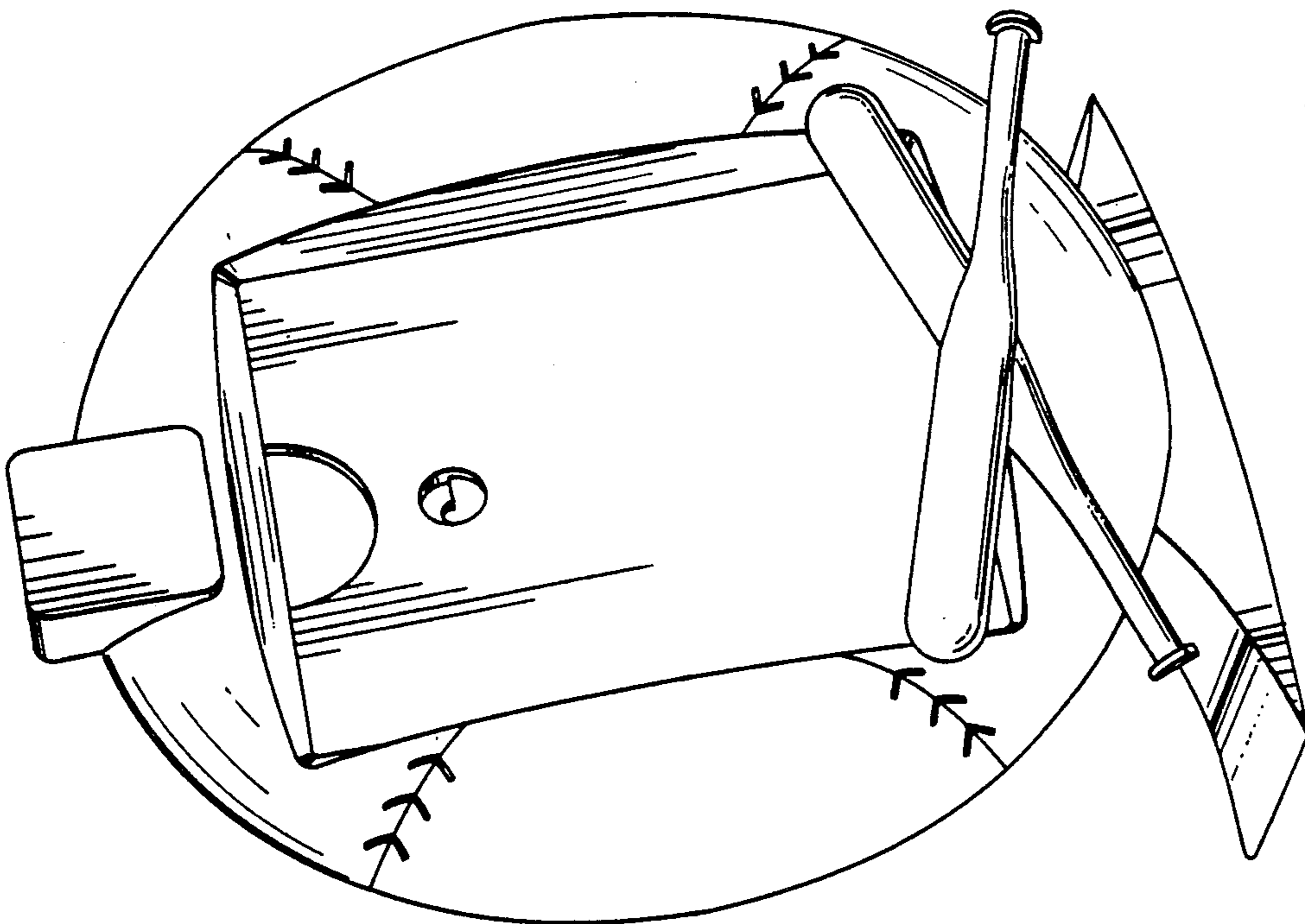


Fig. 1.

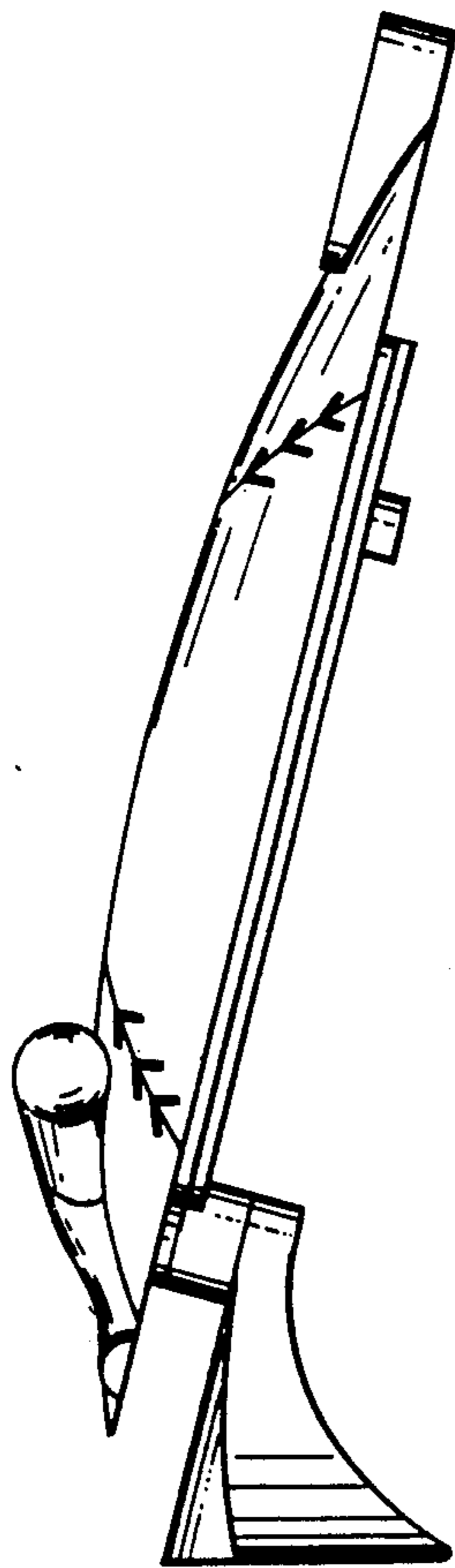


Fig. 3.

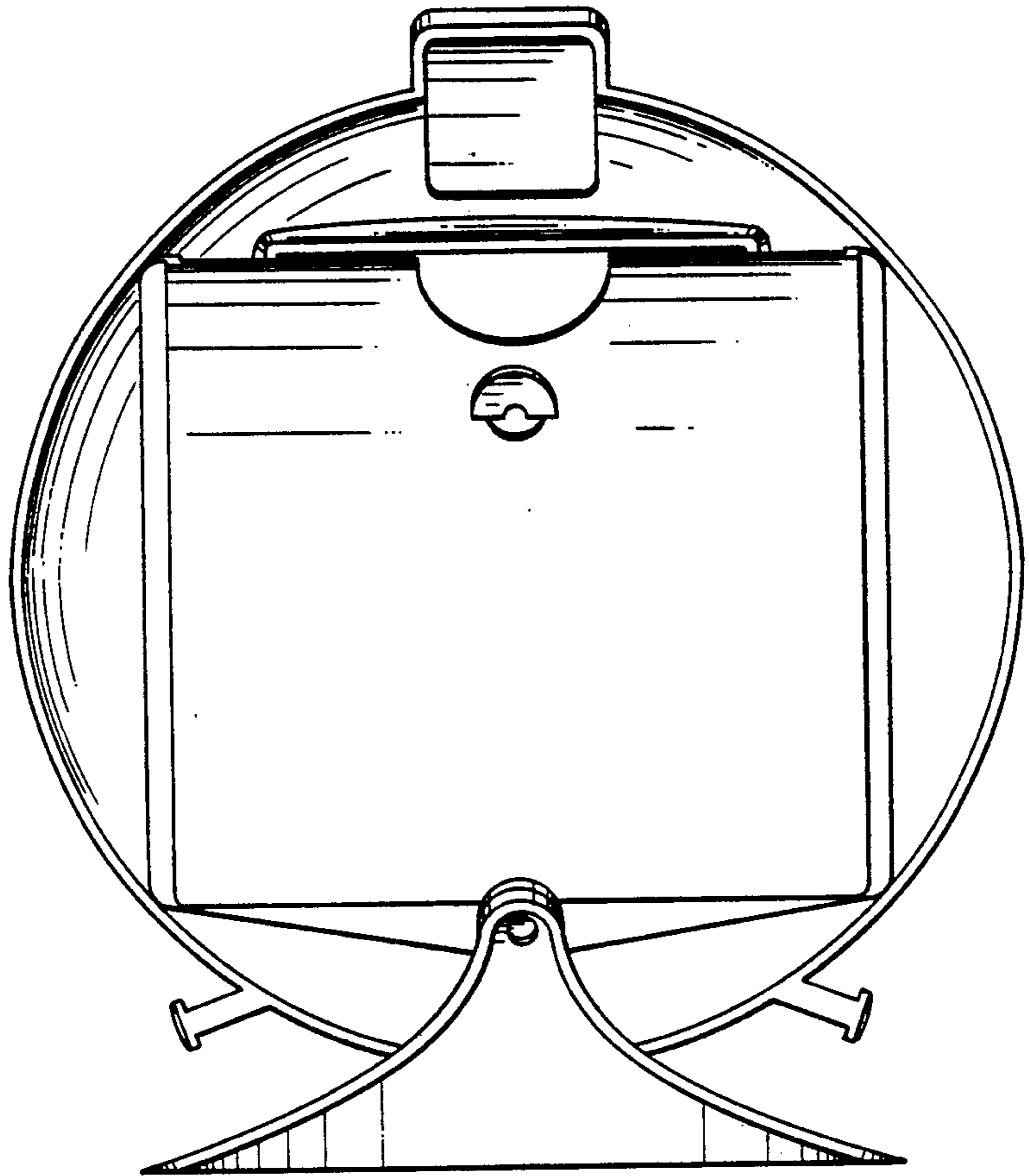


Fig. 4.

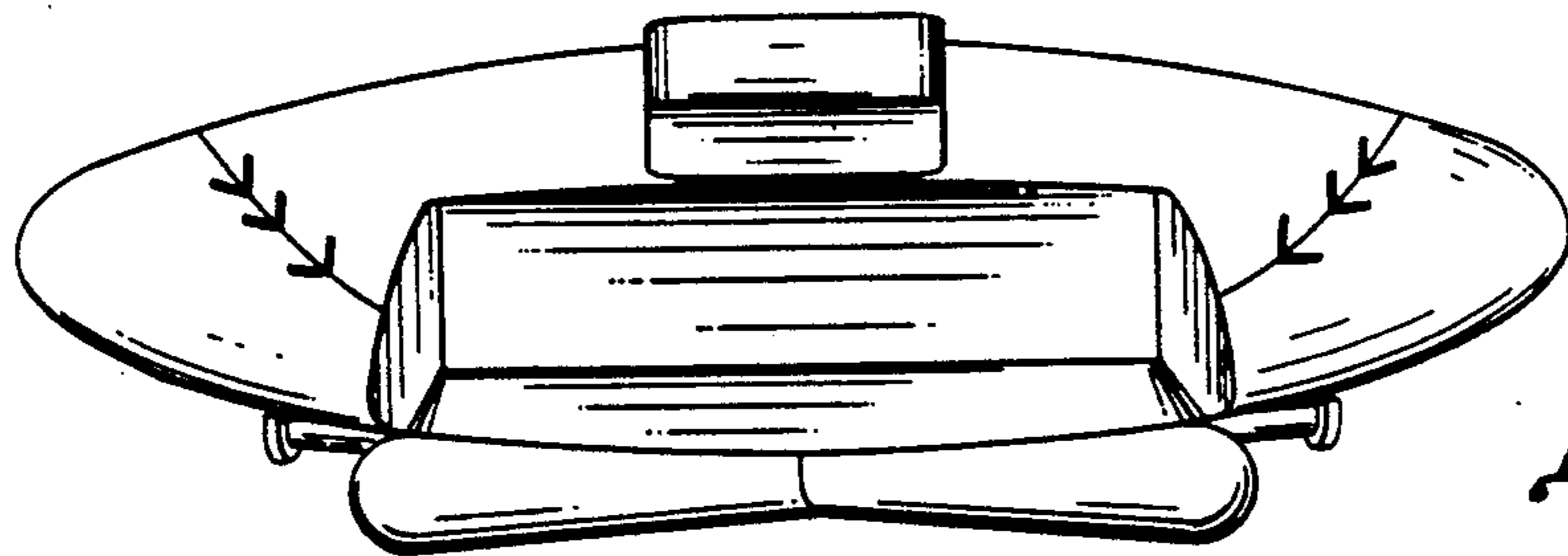


Fig. 5.

Fig. 6.

