

[54] **BAND FOR HEADSET**

[75] **Inventor: Christopher D. Wiegel, Minneapolis, Minn.**

[73] **Assignee: Telex Communications, Inc., Minneapolis, Minn.**

[**] **Term: 14 Years**

[21] **Appl. No.: 934,128**

[22] **Filed: Nov. 24, 1986**

[52] **U.S. Cl. D2/512**

[58] **Field of Search D2/509, 512-515, D2/253, 255; D29/14-18; 2/271, 181, 181.1, 181.4, 171, 171.1, 171.4, 236, 237, DIG. 11, 182.8**

[56] **References Cited**

U.S. PATENT DOCUMENTS

D. 277,330 1/1985 Wasson D2/512
2,051,714 8/1936 Huntington 2/182.8
2,580,323 12/1951 Russell 2/182.8
2,994,090 8/1961 Ostwald 2/197

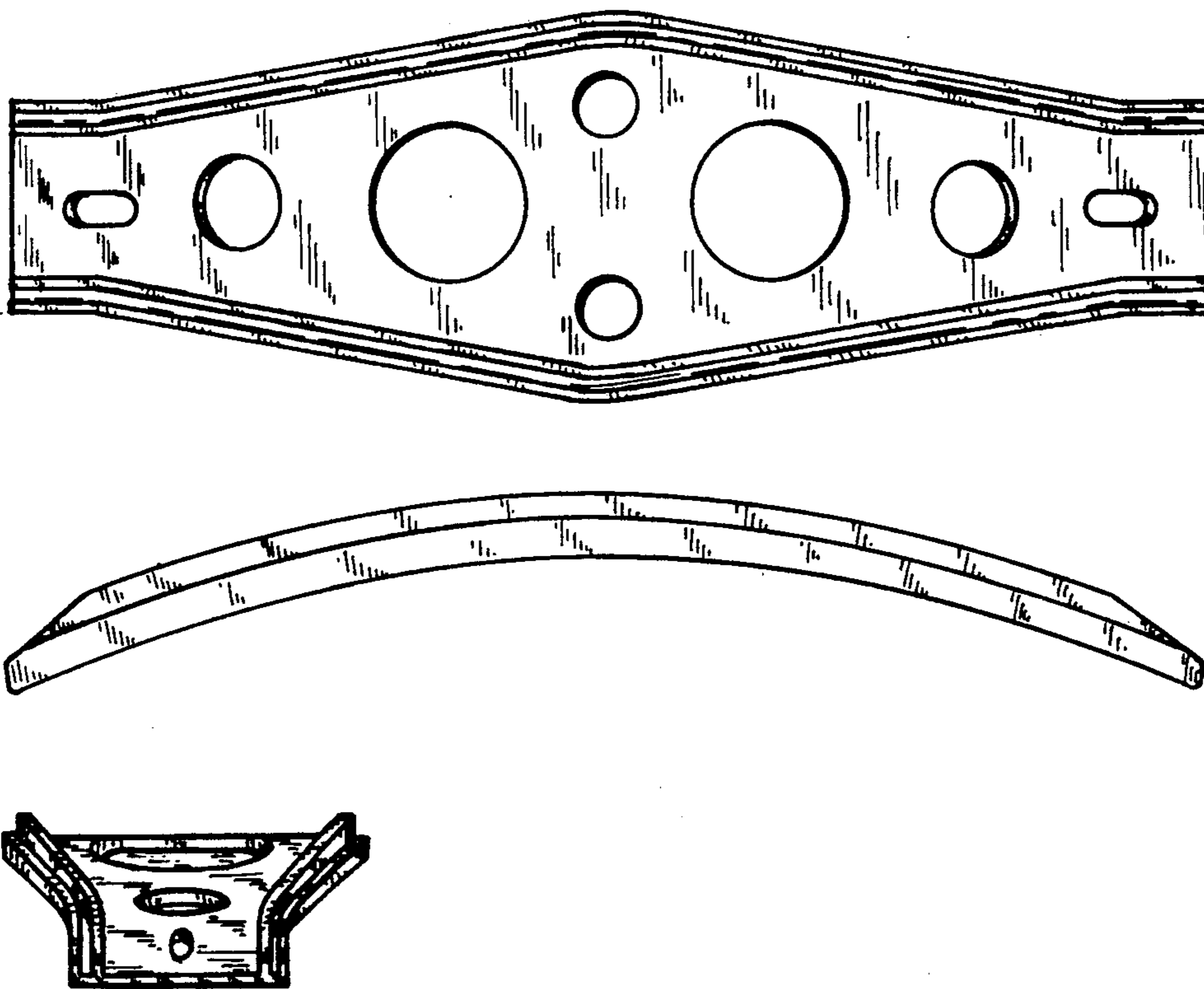
Primary Examiner—A. Hugo Word
Assistant Examiner—Ruth McInroy
Attorney, Agent, or Firm—Warren A. Sturm

[57] **CLAIM**

The ornamental design for a band for headset, as shown and described.

DESCRIPTION

FIG. 1 is a top plan view of a band for a headset showing my new design;
FIG. 2 is a front elevational view thereof;
FIG. 3 is a bottom plan view thereof;
FIG. 4 is an end elevational view thereof.



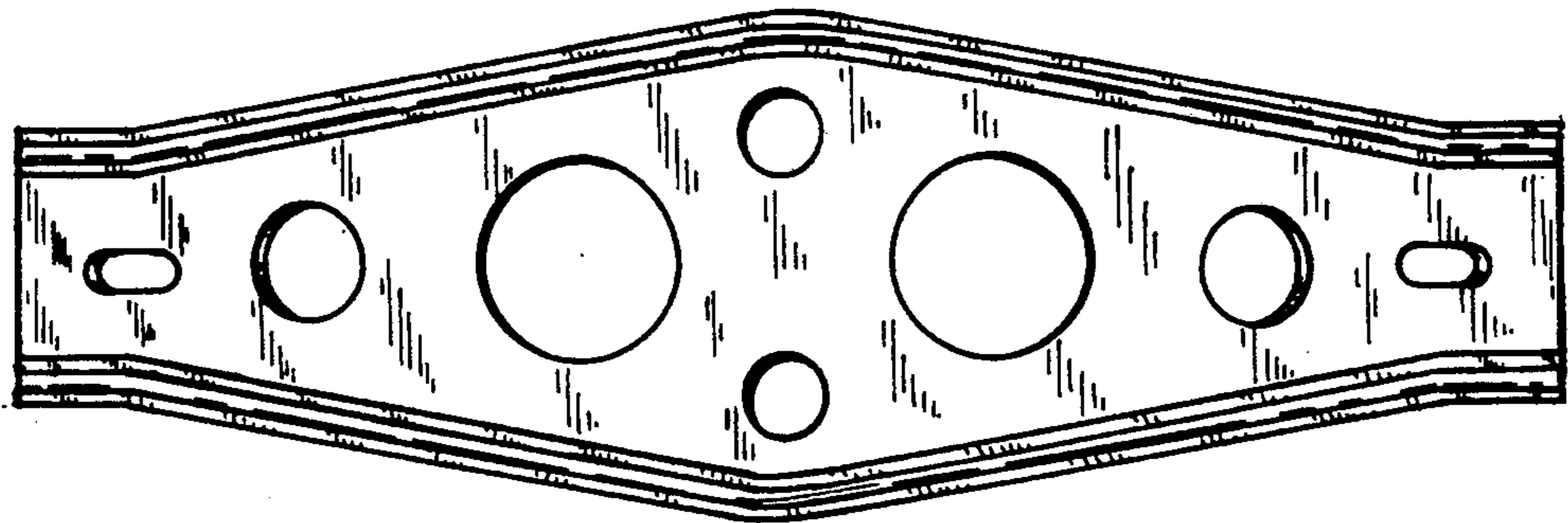


Fig. 1



Fig. 2

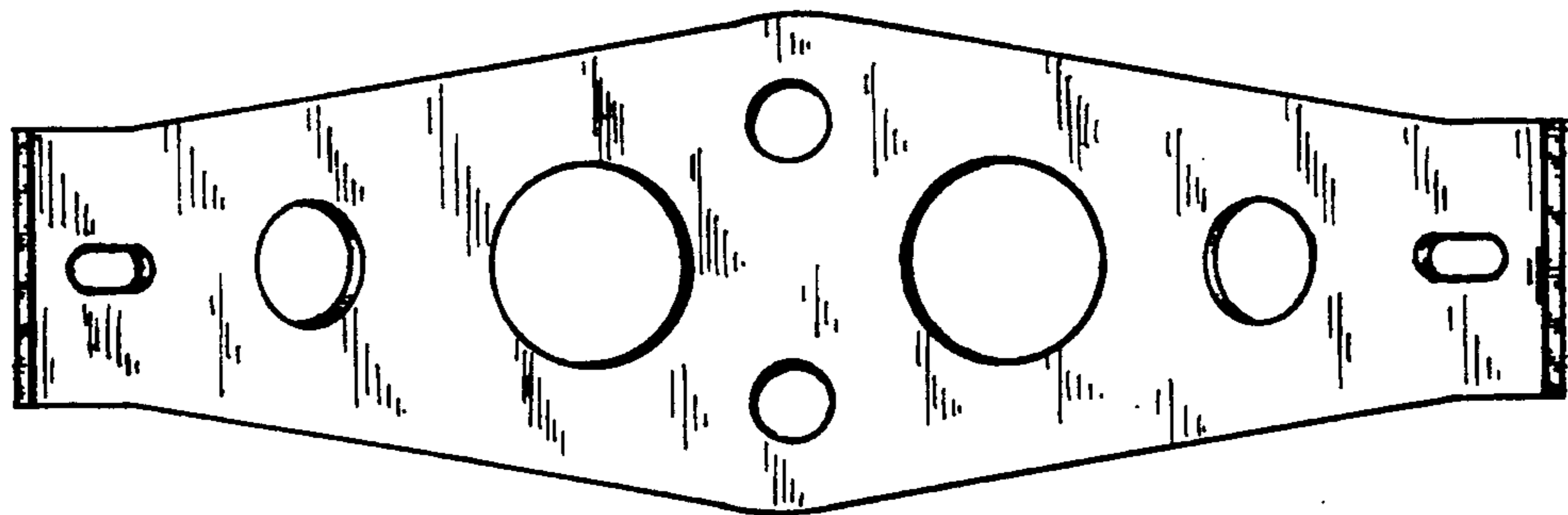


Fig. 3

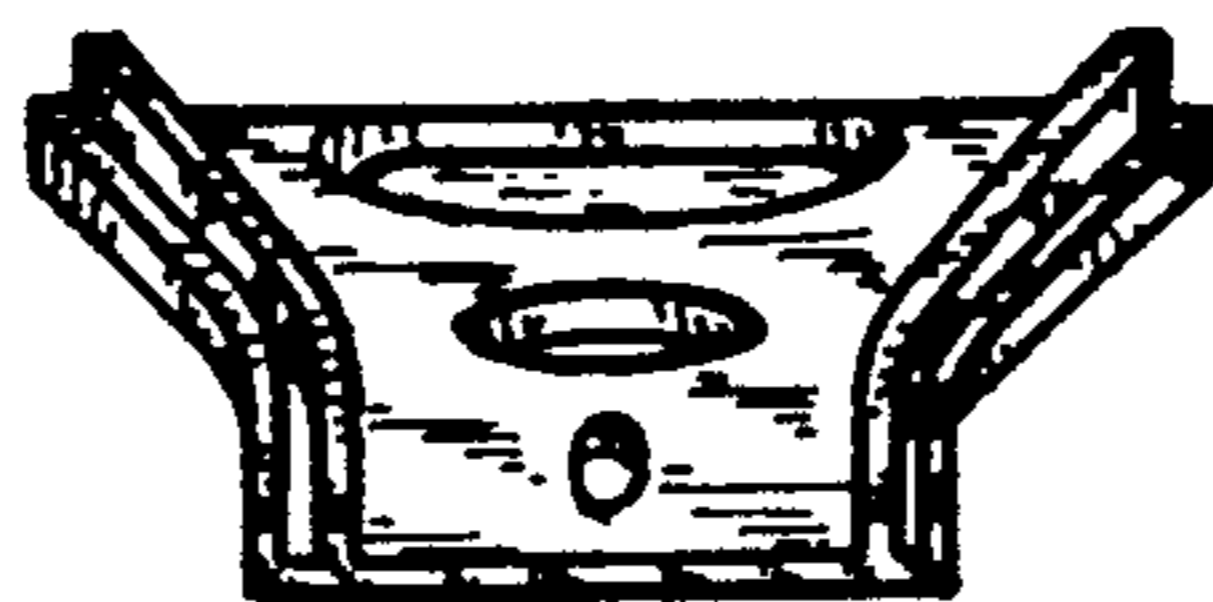


Fig. 4