

[54] REMOVABLE SWEAT BAND FOR HATS

4,941,210 7/1990 Konucik 2/183 X

[76] Inventor: LeRoy E. Smith, 4832-E SW. 152nd Ct., Miami, Fla. 33185-4226

Primary Examiner—Louis S. Zarfes
Assistant Examiner—Paula Allen
Attorney, Agent, or Firm—Jerry T. Kearns

[**] Term: 14 Years

[57] CLAIM

[21] Appl. No.: 195,181

The ornamental design for a removable sweat band for hats, as shown and described.

[22] Filed: May 18, 1988

[52] U.S. Cl. D2/261

DESCRIPTION

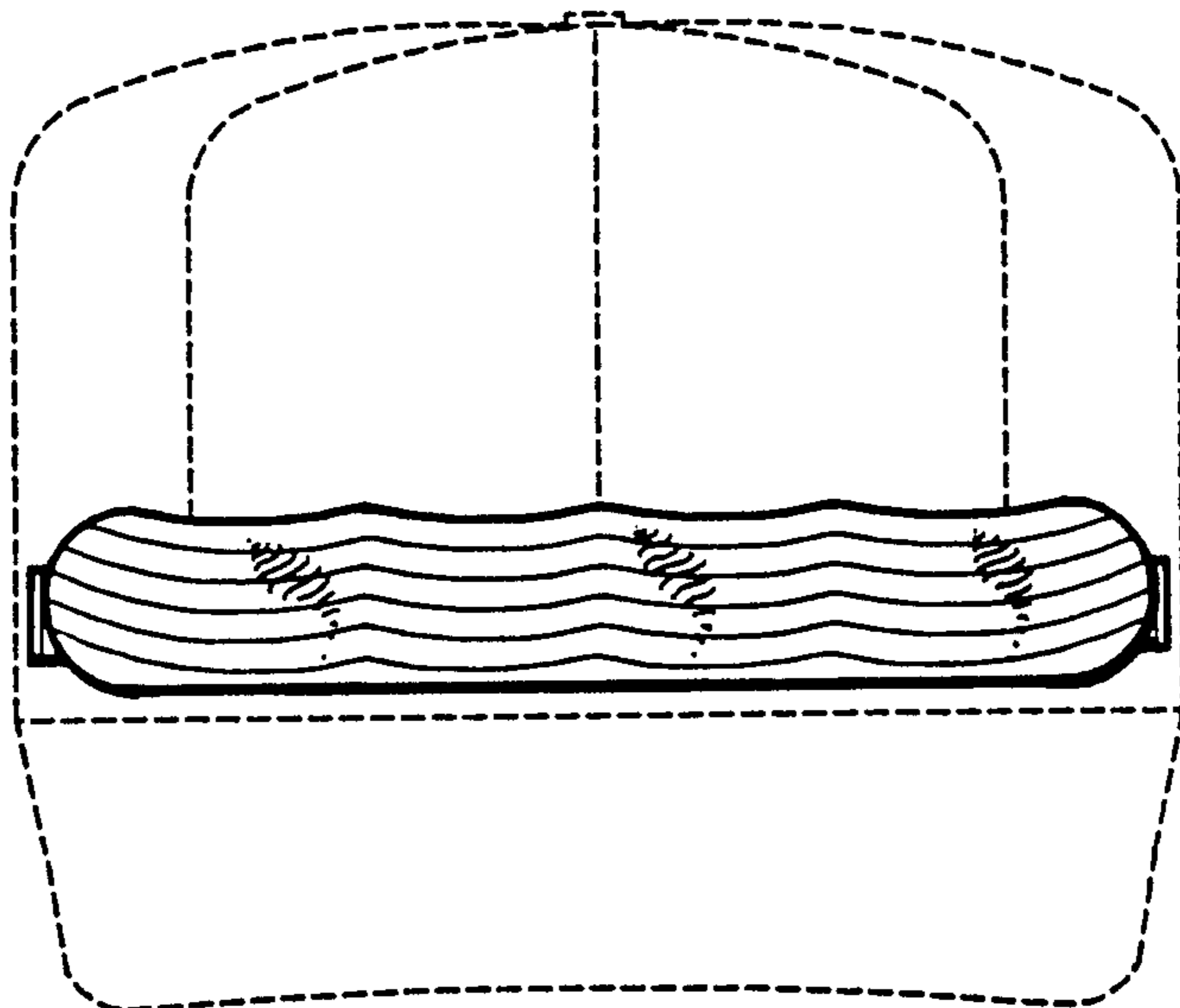
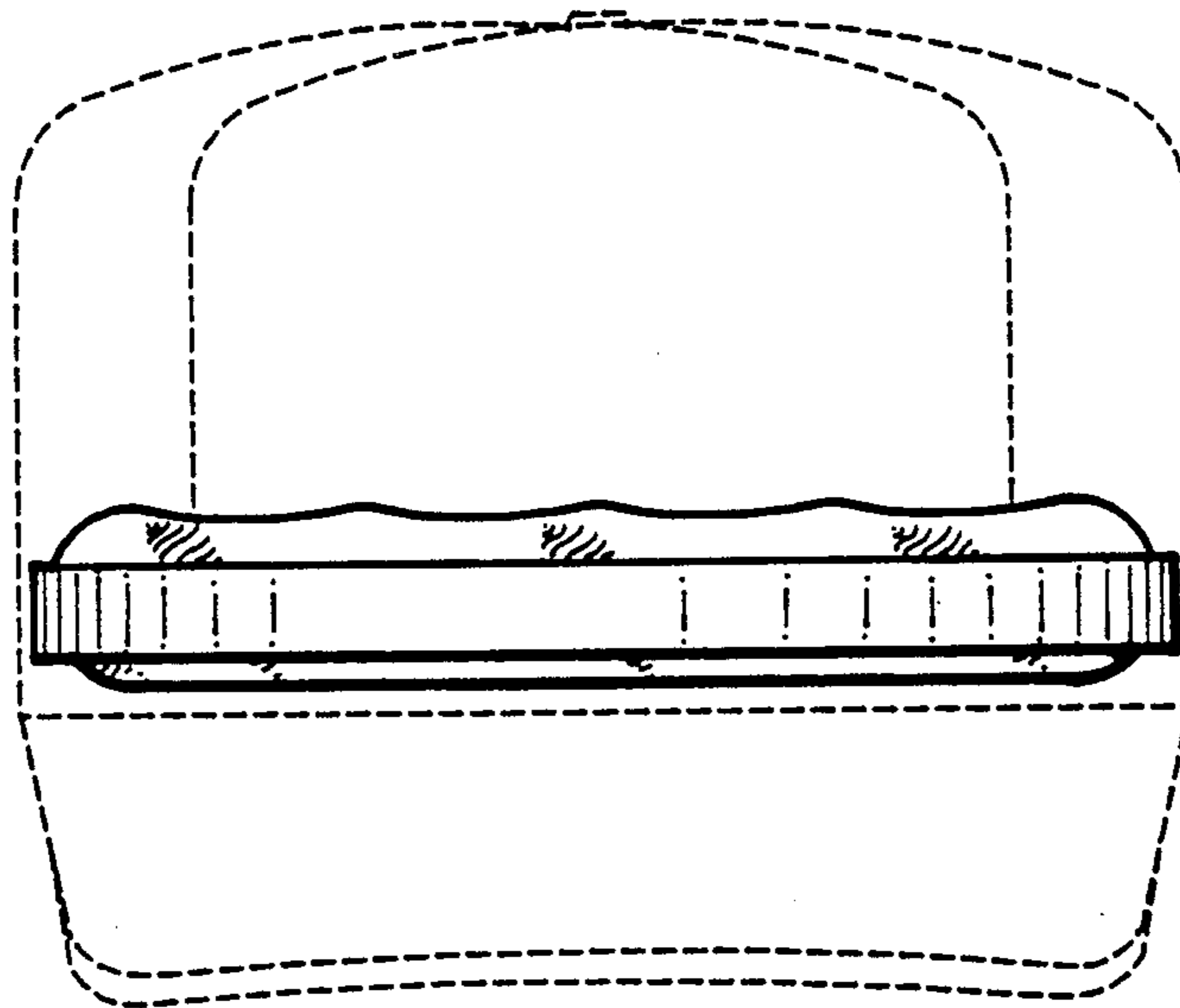
[58] Field of Search D2/261, 244; 2/183, 2/12

FIG. 1 is a front elevational view of a removable sweat band for hats showing my new design;
FIG. 2 is a rear elevational view thereof;
FIG. 3 is a left side elevational view thereof;
FIG. 4 is a right side elevational view thereof;
FIG. 5 is a top plan view thereof; and,
FIG. 6 is a bottom plan view thereof.
The broken line showing of the hat is for illustrative purposes only and forms no part of the claimed design.

[56] References Cited

U.S. PATENT DOCUMENTS

- D. 296,918 4/1884 Bracher D2/261
- D. 309,523 7/1990 Martin D2/261 X
- 4,011,600 3/1977 Malk 2/183
- 4,630,317 12/1986 Brown et al. 2/12



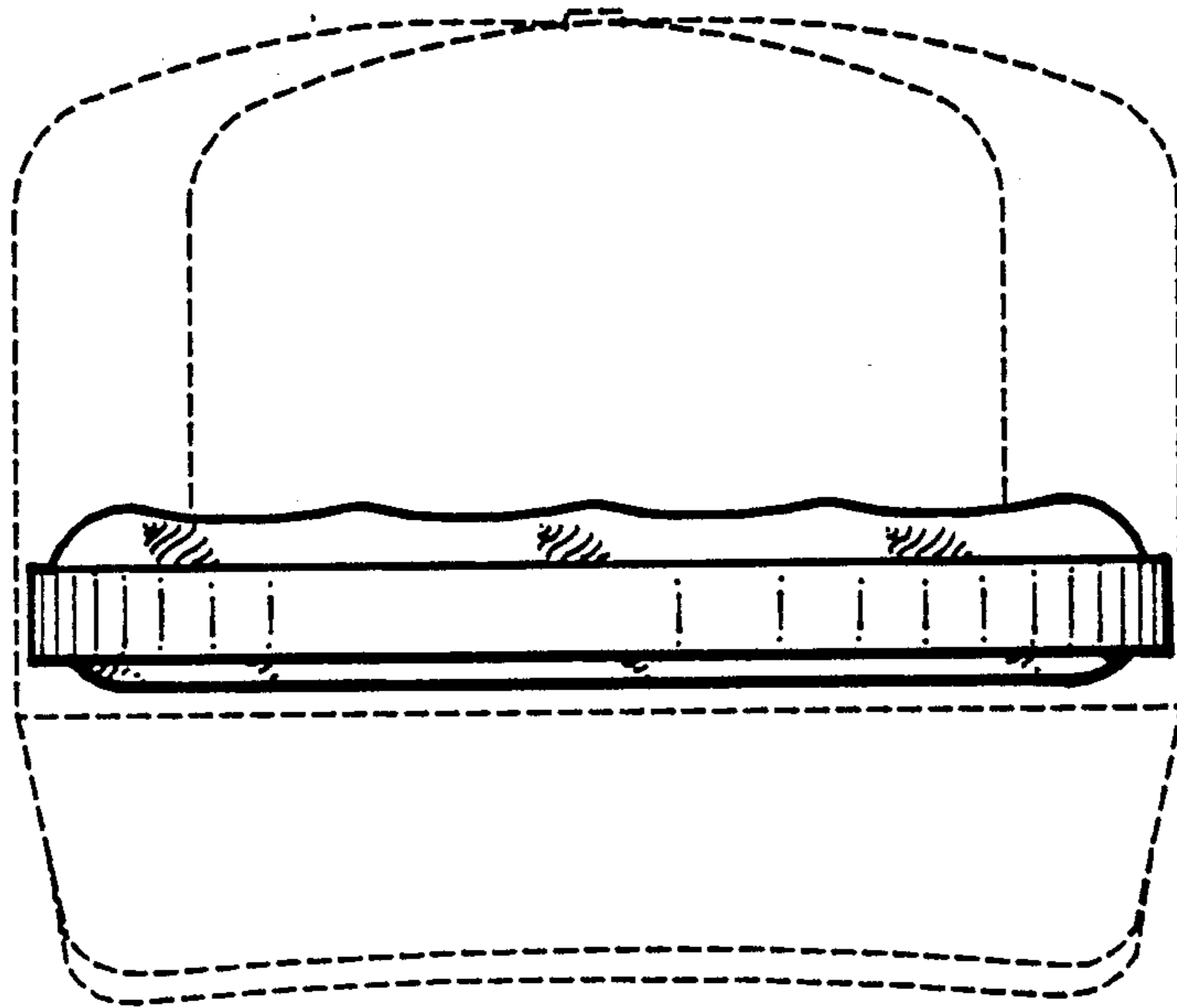


Fig. 1

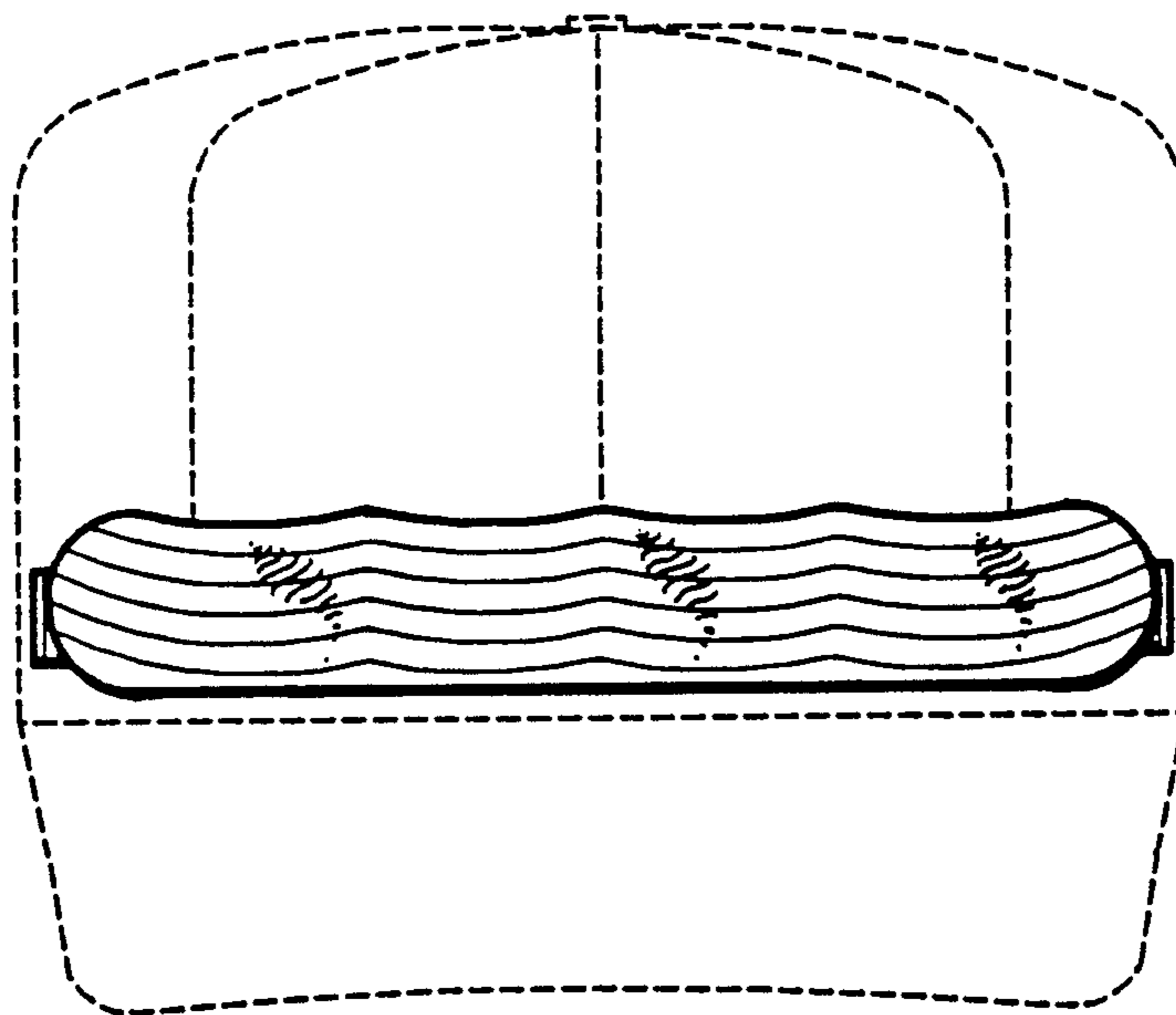


Fig. 2

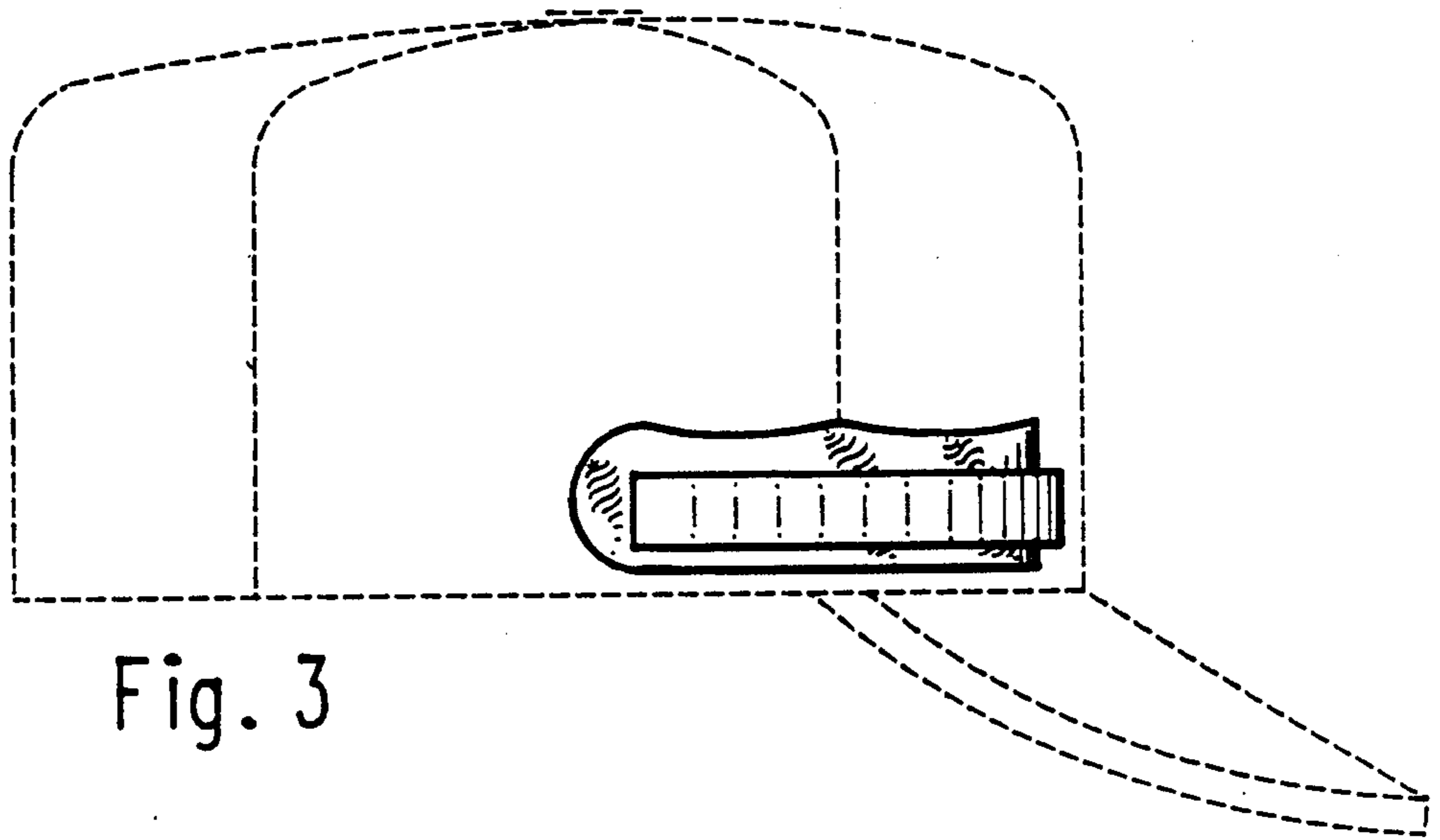


Fig. 3

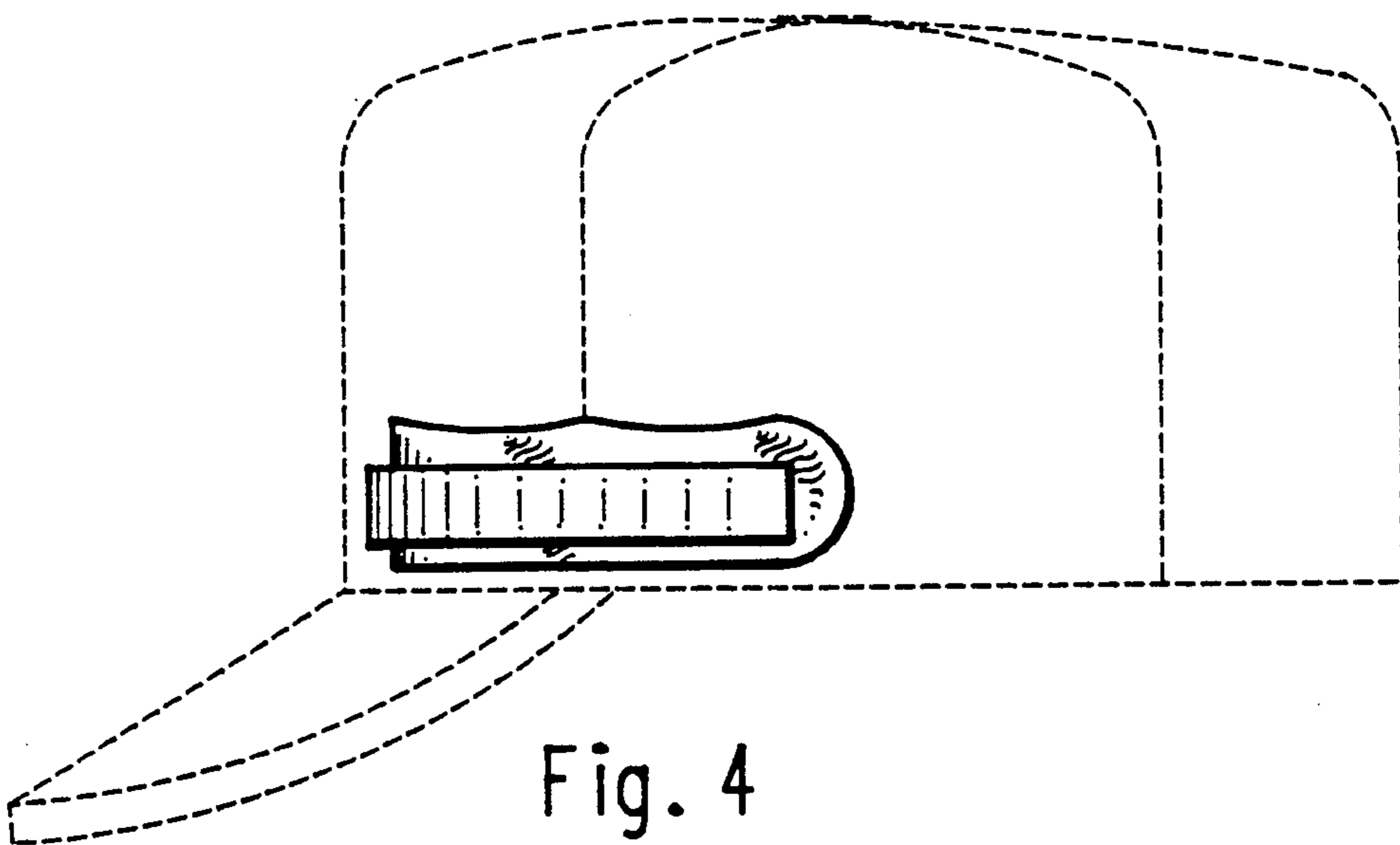


Fig. 4

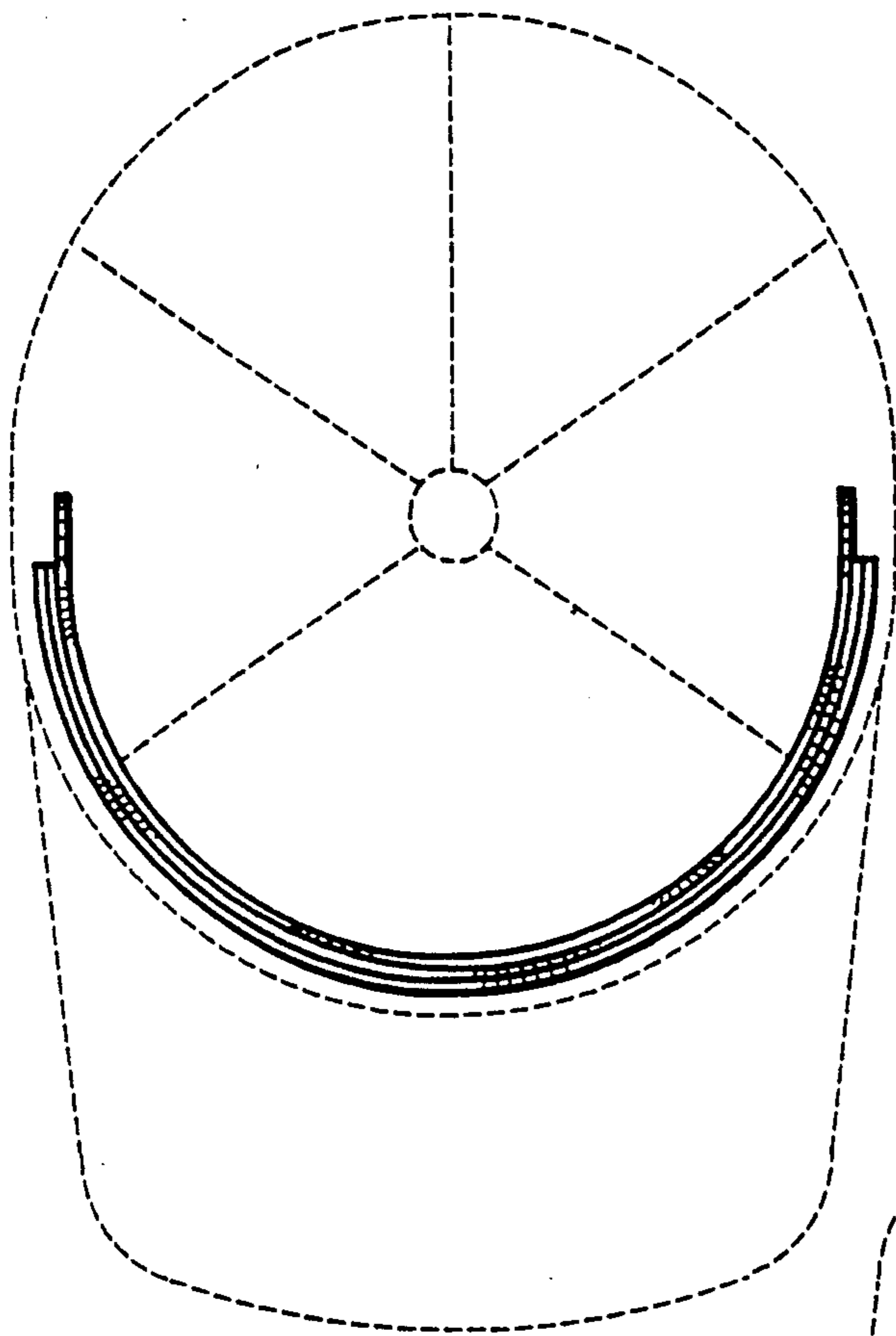


Fig. 5

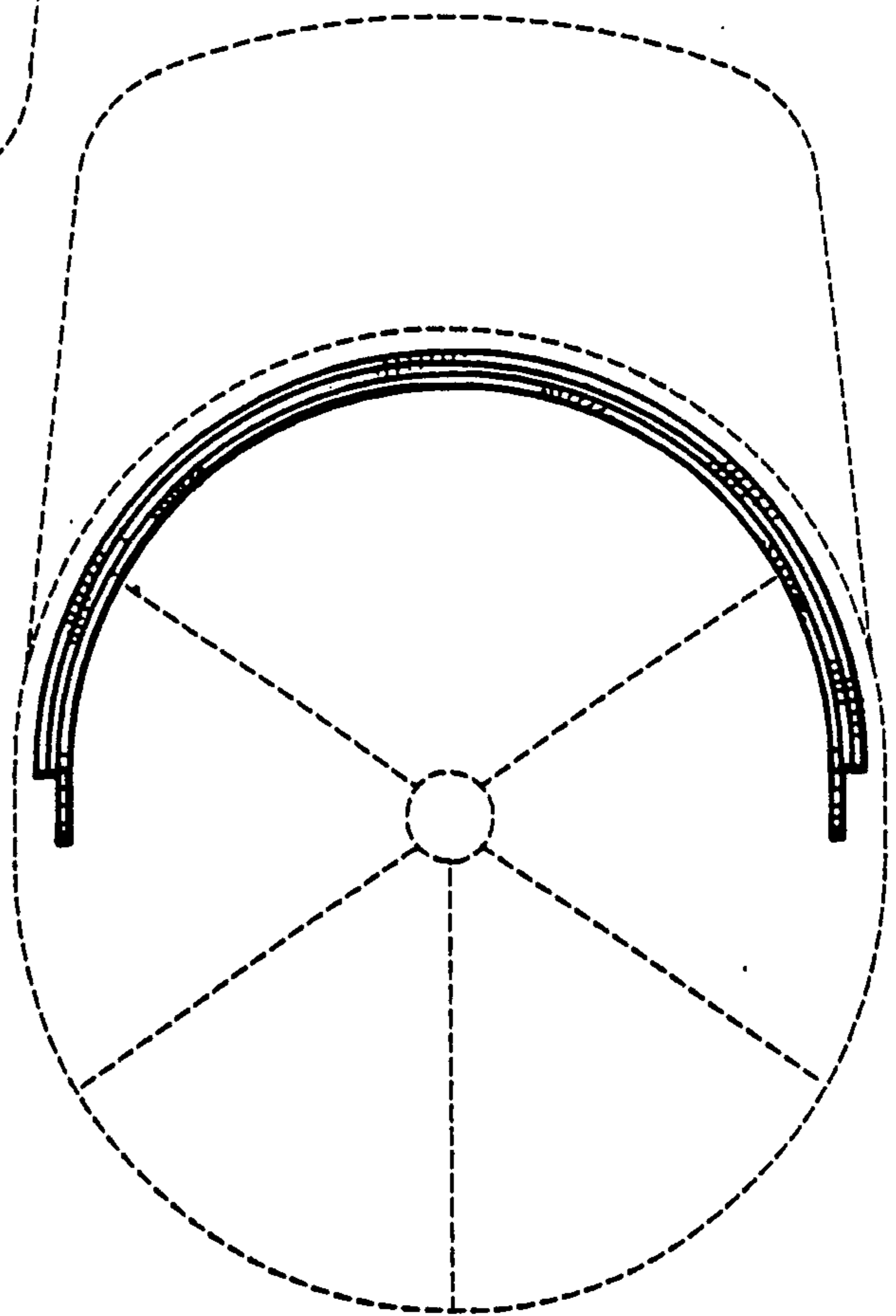


Fig. 6