

[54] INSECT HABITAT

[76] Inventor: Louis M. Kohus, 1312 Mayland Dr., Cincinnati, Ohio 45230-2715

[**] Term: 14 Years

[21] Appl. No.: 303,830

[22] Filed: Jan. 30, 1989

[52] U.S. Cl. D30/109

[58] Field of Search D26/94, 98, 101; D9/418, 339, 352, 353, 355, 453; D7/538, 510, 512; D21/84, 252; D34/7; 119/3, 5, 15, 17, 26, 29, 6.5; D11/145, 146; D30/101-107, 119; 47/32.1, 69; 4/588; 206/44, 45.31, 522; D24/56; 220/8

[56] References Cited

U.S. PATENT DOCUMENTS

D. 125,781	3/1941	Nagle	D9/418
D. 211,526	6/1968	Ikelheimer	D30/109
D. 243,352	2/1977	Gray, Sr.	D30/101
D. 264,887	6/1982	Tweed	D30/112
D. 281,283	11/1985	Cazier	D30/109
3,156,213	11/1964	Patten	D30/109
3,509,855	5/1970	Priddy, Jr.	119/15

3,654,534	4/1972	Fischer	119/15
3,874,335	4/1975	Galasso	119/6.5
4,790,260	12/1988	Jones	119/15
4,924,810	3/1990	Tominaga	119/15
4,965,955	10/1990	Campbell et al.	119/3

FOREIGN PATENT DOCUMENTS

217717	9/1962	Japan	D30/109
2213360	8/1989	United Kingdom	119/6.5

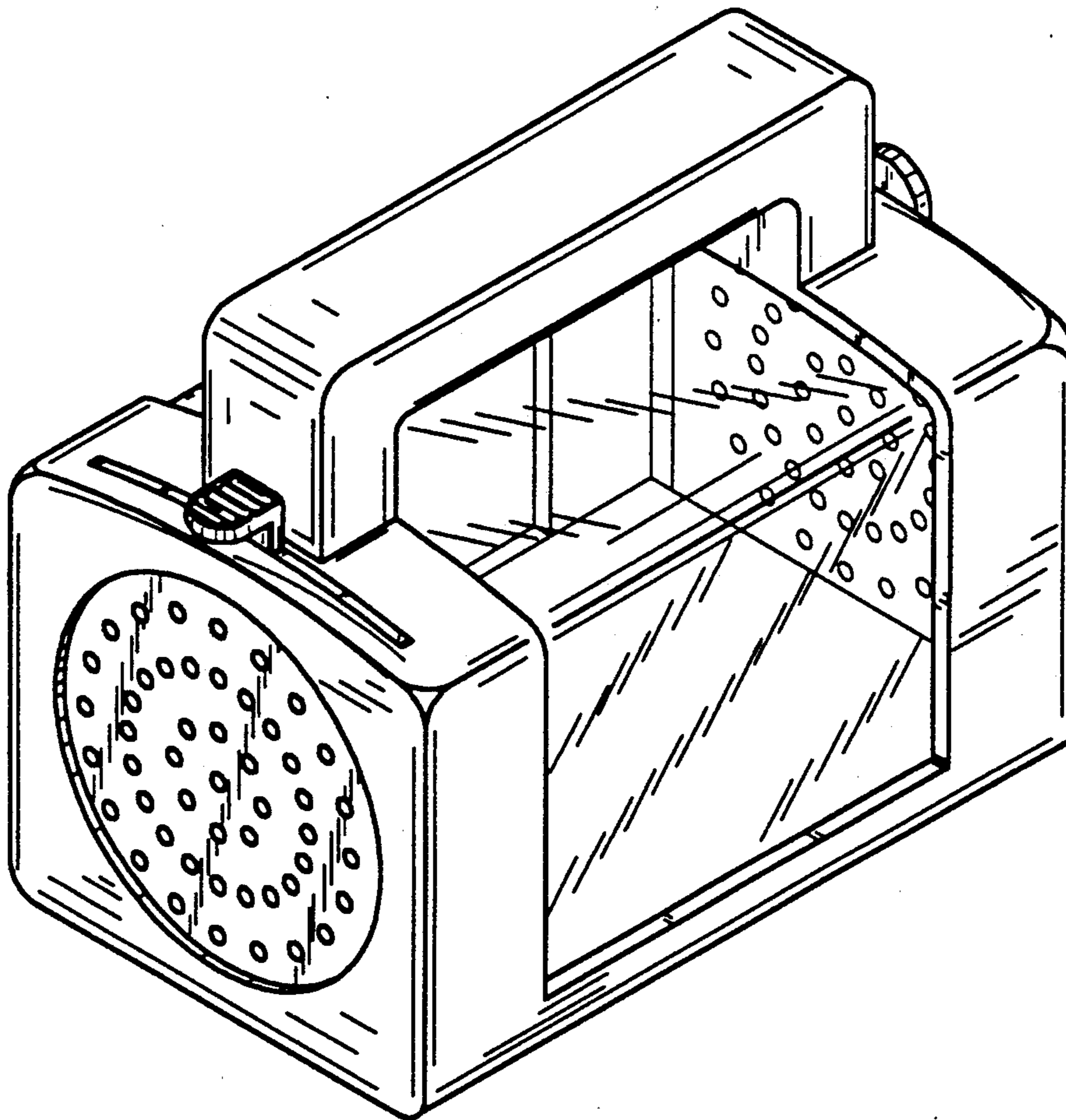
Primary Examiner—James R. Largen
Assistant Examiner—Cathy Anne MacCormac

[57] CLAIM

The ornamental design for an insect habitat, as shown and described.

DESCRIPTION

FIG. 1 is a perspective view taken from the top, front, and right side of an insect habitat showing my new design;
FIG. 2 is a front elevational view thereof;
FIG. 3 is a rear elevational view thereof;
FIG. 4 is a right side elevational view thereof, the left side being a mirror image of the right side shown;
FIG. 5 is a top plan view thereof; and
FIG. 6 is a bottom plan view thereof.



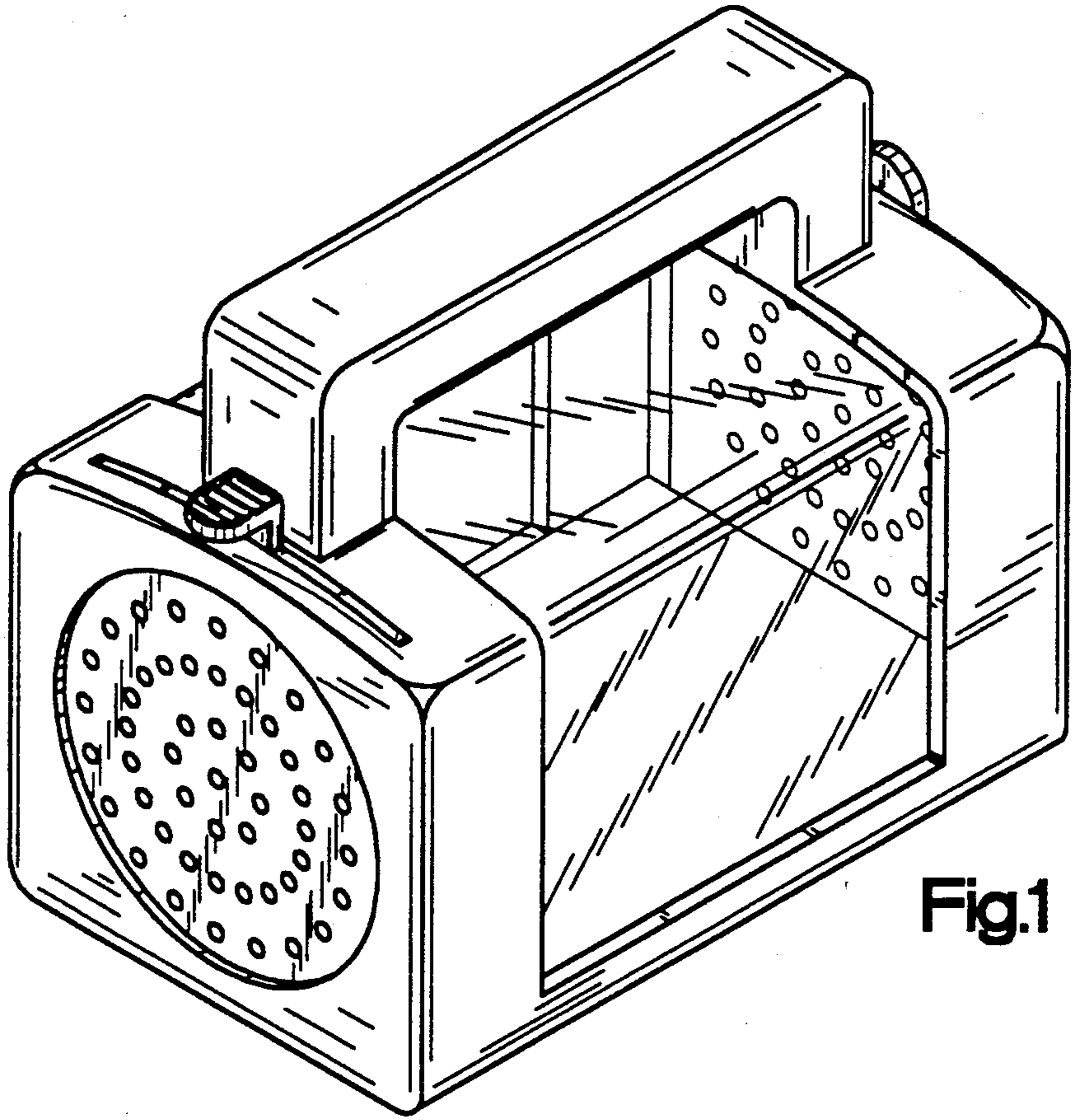


Fig.1

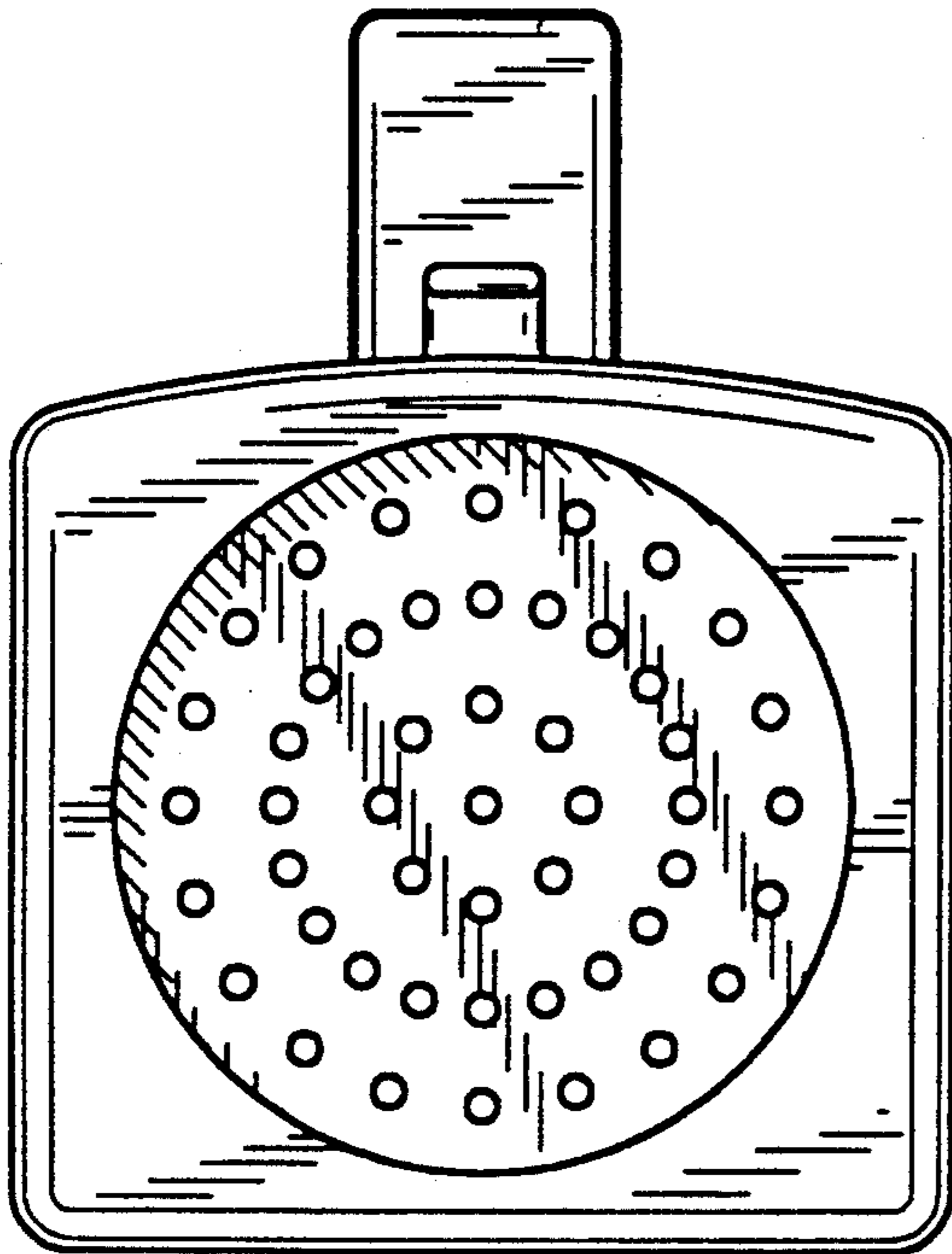


Fig.2

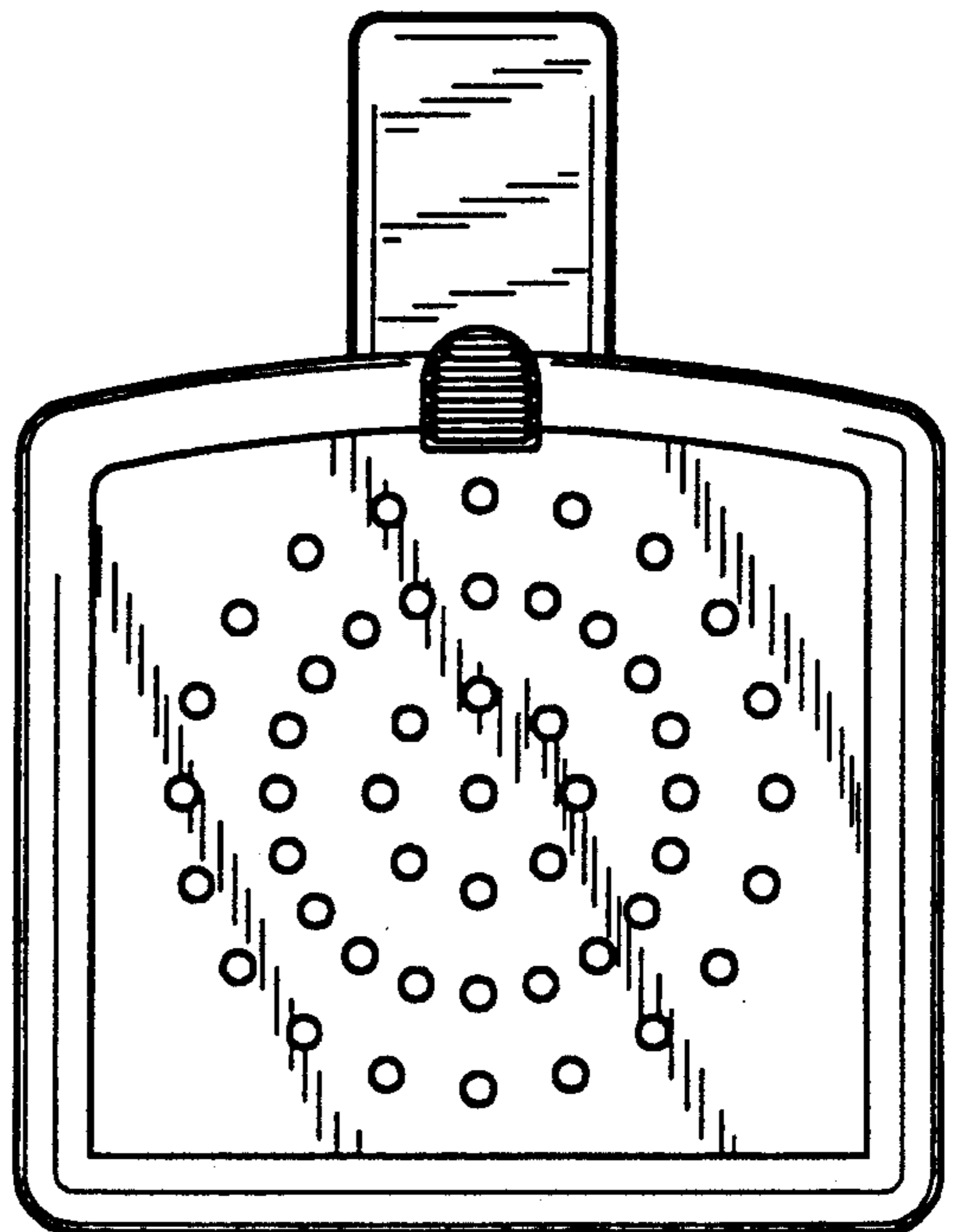


Fig.3

Fig.4

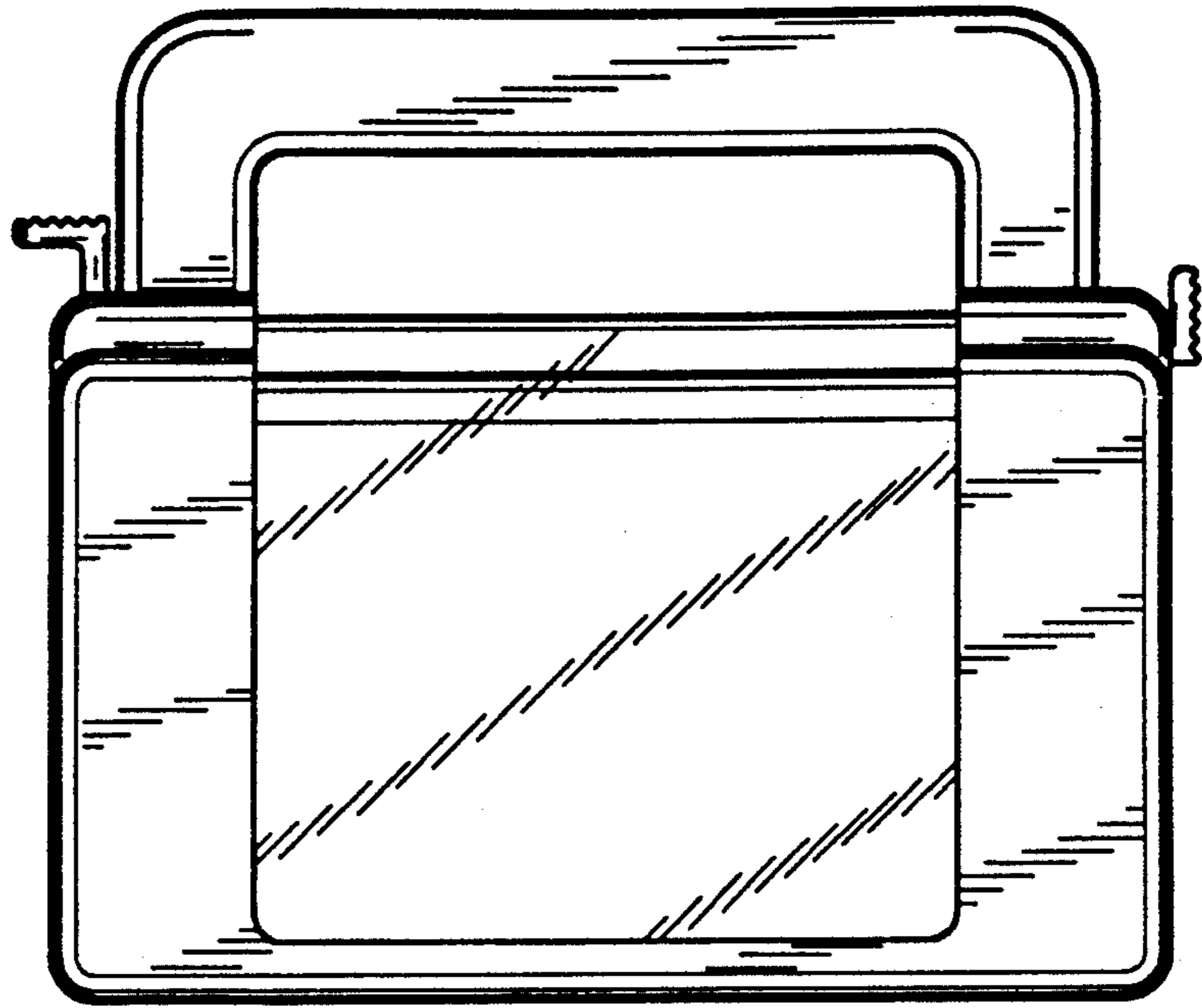


Fig.5

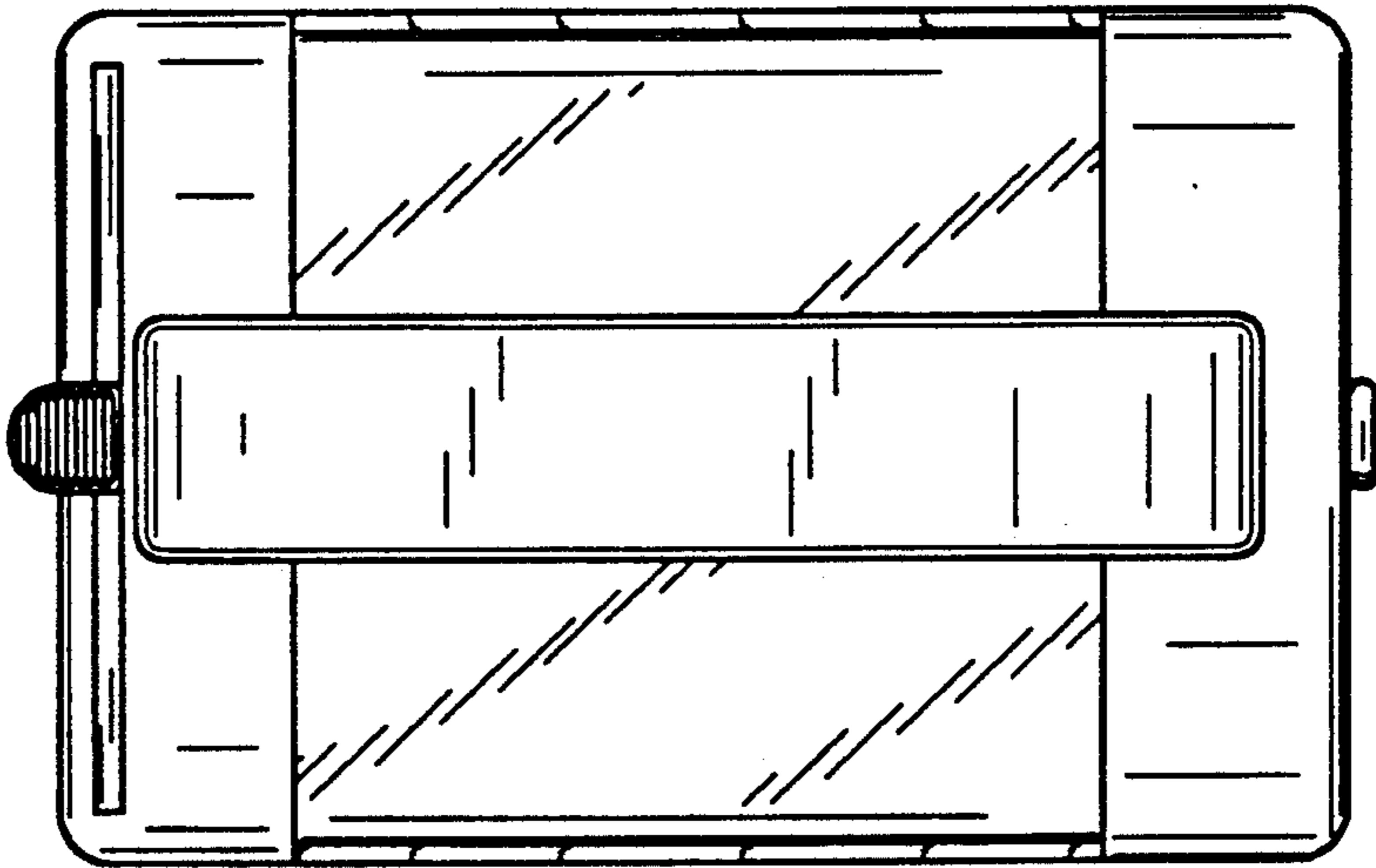


Fig.6

