

[54] LAMP SHADE HOLDER

[76] Inventor: Marc Nugent, 155 E. 23rd St., New York, N.Y. 10010

[**] Term: 14 Years

[21] Appl. No.: 203,870

[22] Filed: Jun. 8, 1988

[52] U.S. Cl. D26/111

[58] Field of Search D26/118, 93, 102-112; 362/410-414, 431, 433, 806

[56] References Cited

U.S. PATENT DOCUMENTS

- D. 165,226 11/1951 Gray et al. D26/111
- D. 209,916 1/1968 Greve D26/105
- D. 223,505 4/1972 Ott D26/104
- 4,562,521 12/1985 Noguchi 362/414 X

Primary Examiner—Susan J. Lucas

Attorney, Agent, or Firm—Henry M. Feiereisen

[57] CLAIM

The ornamental design for a base for a table lamp or similar article, as shown and described.

DESCRIPTION

FIG. 1 is a top perspective view of a base for a table lamp or similar article showing my new design;

FIG. 2 is a top plan view thereof;

FIG. 3 is a side elevational view thereof, the opposite side being a mirror image;

FIG. 4 is a bottom plan view thereof;

FIG. 5 is a top perspective view thereof with a lamp shade being shown in broken lines for illustrative purposes only;

FIG. 6 is a top perspective view of a second embodiment of my new design;

FIG. 7 is a bottom plan view thereof;

FIG. 8 is a side elevational view thereof.

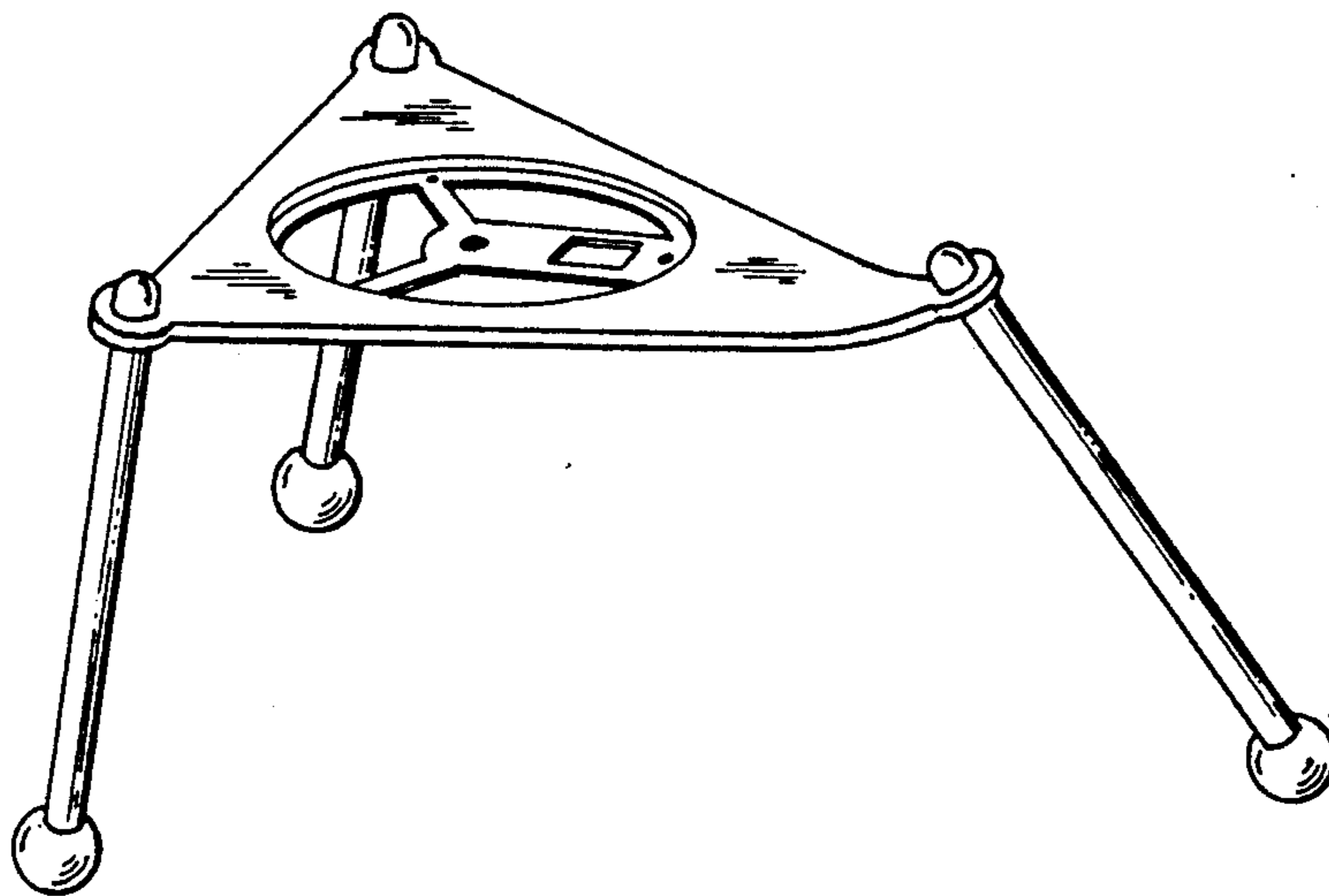


FIG. 1

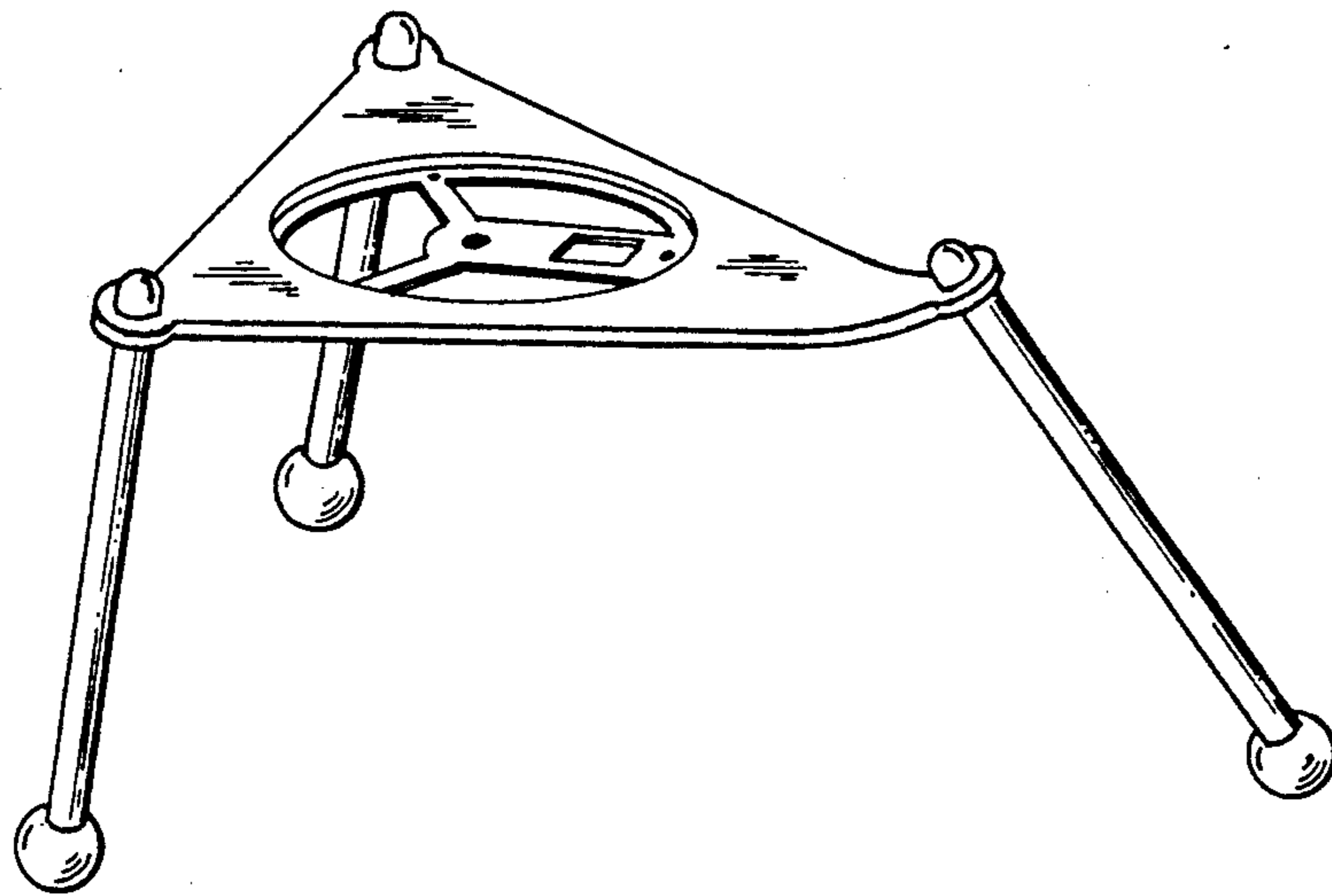


FIG. 2

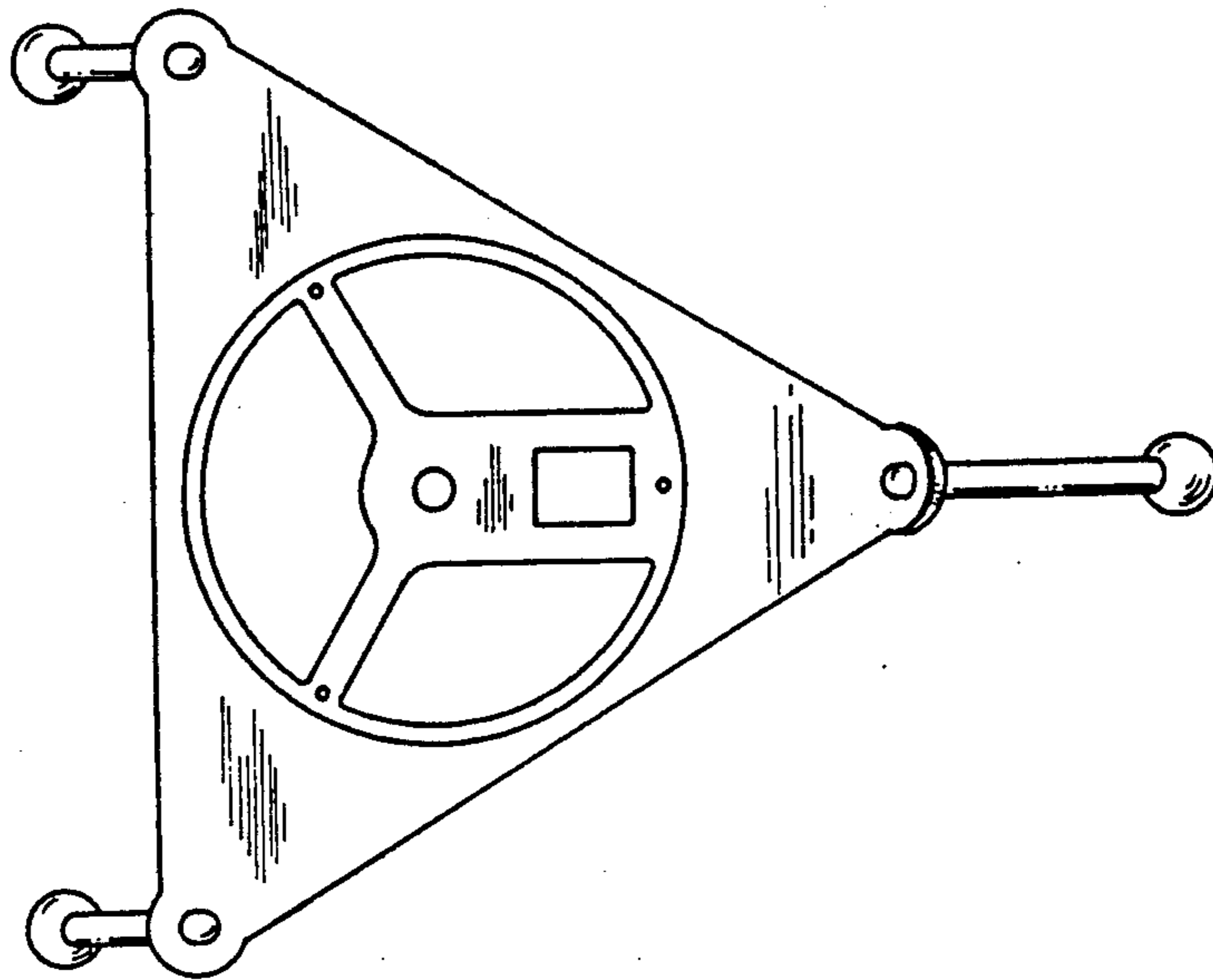


FIG. 3

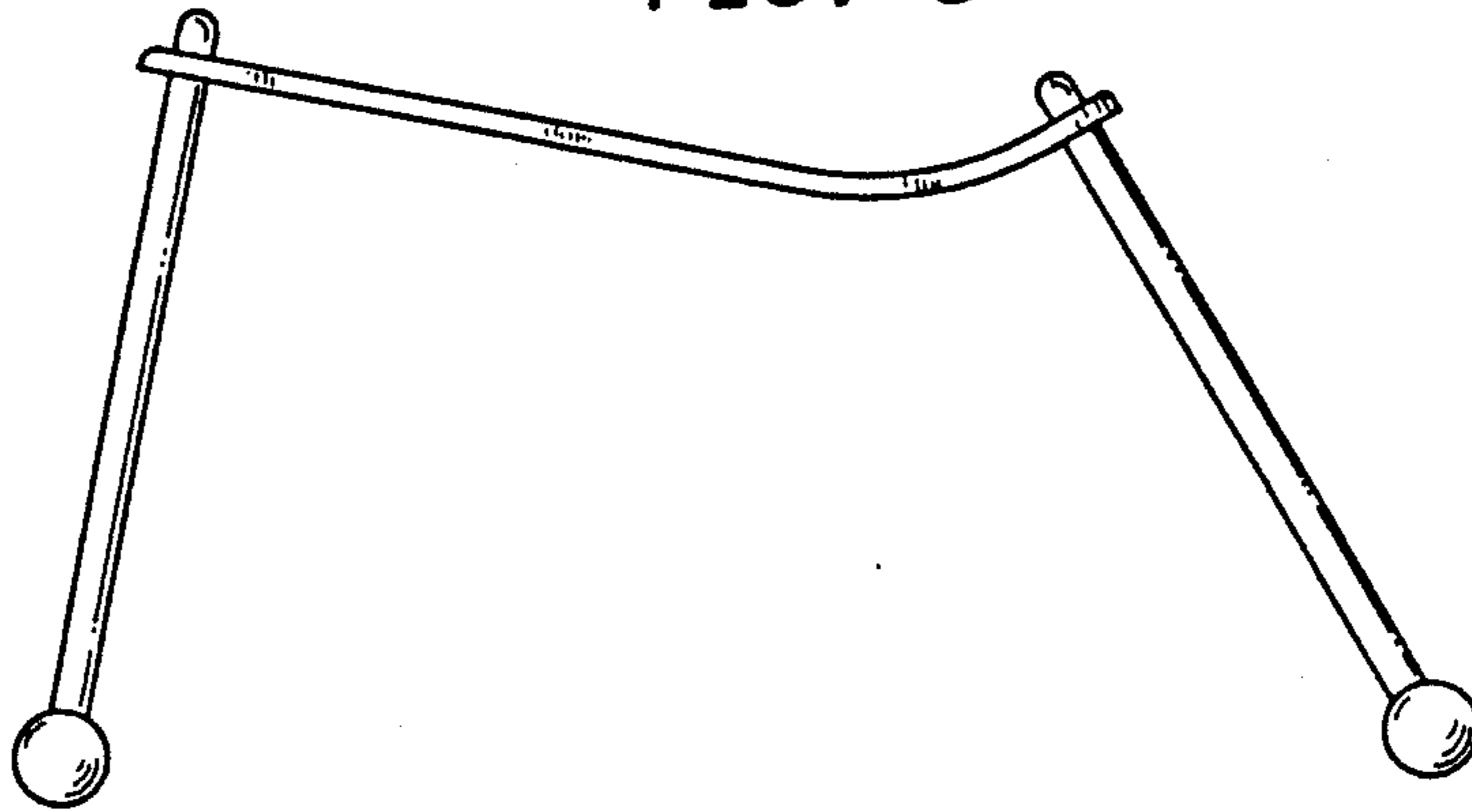
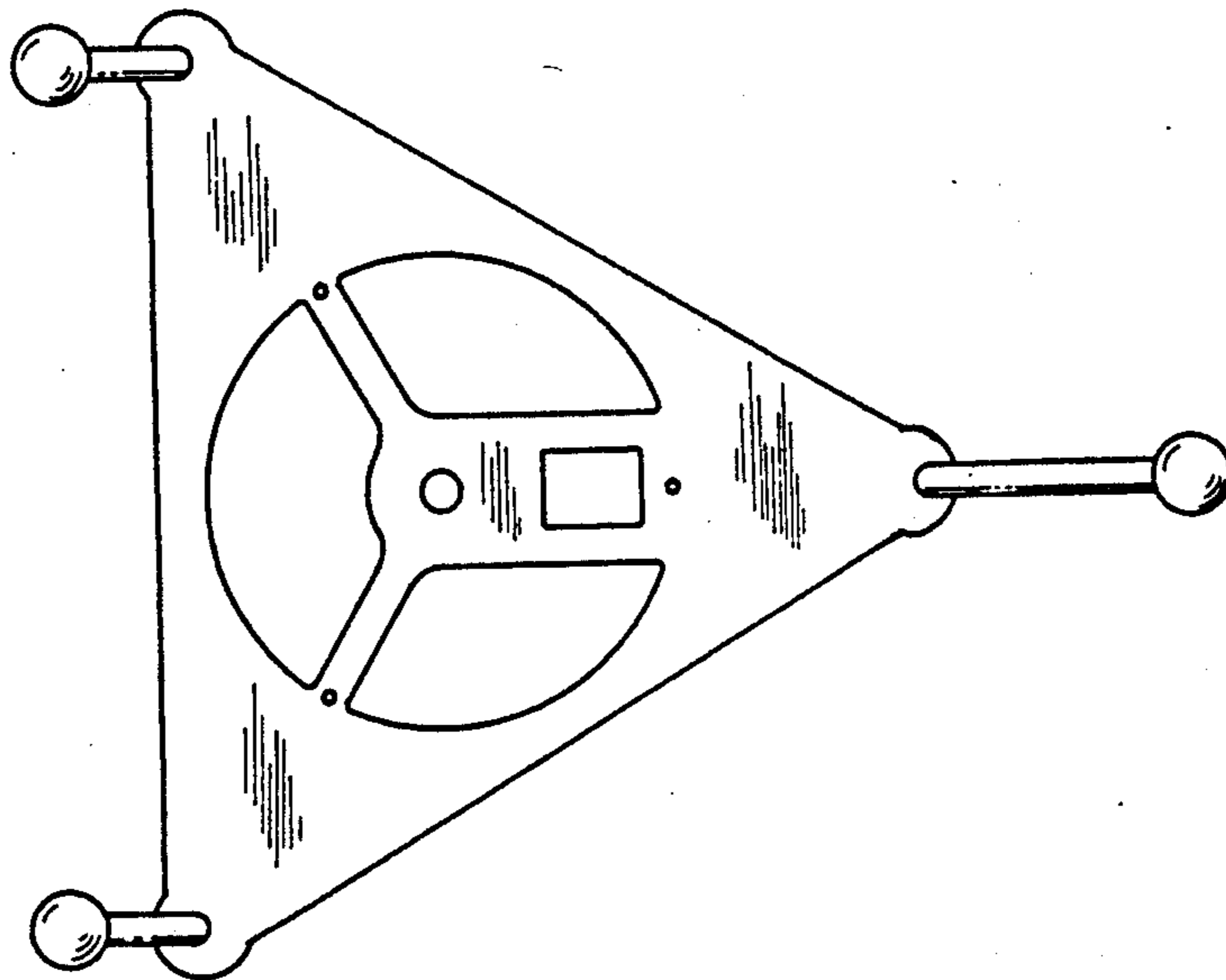


FIG. 4



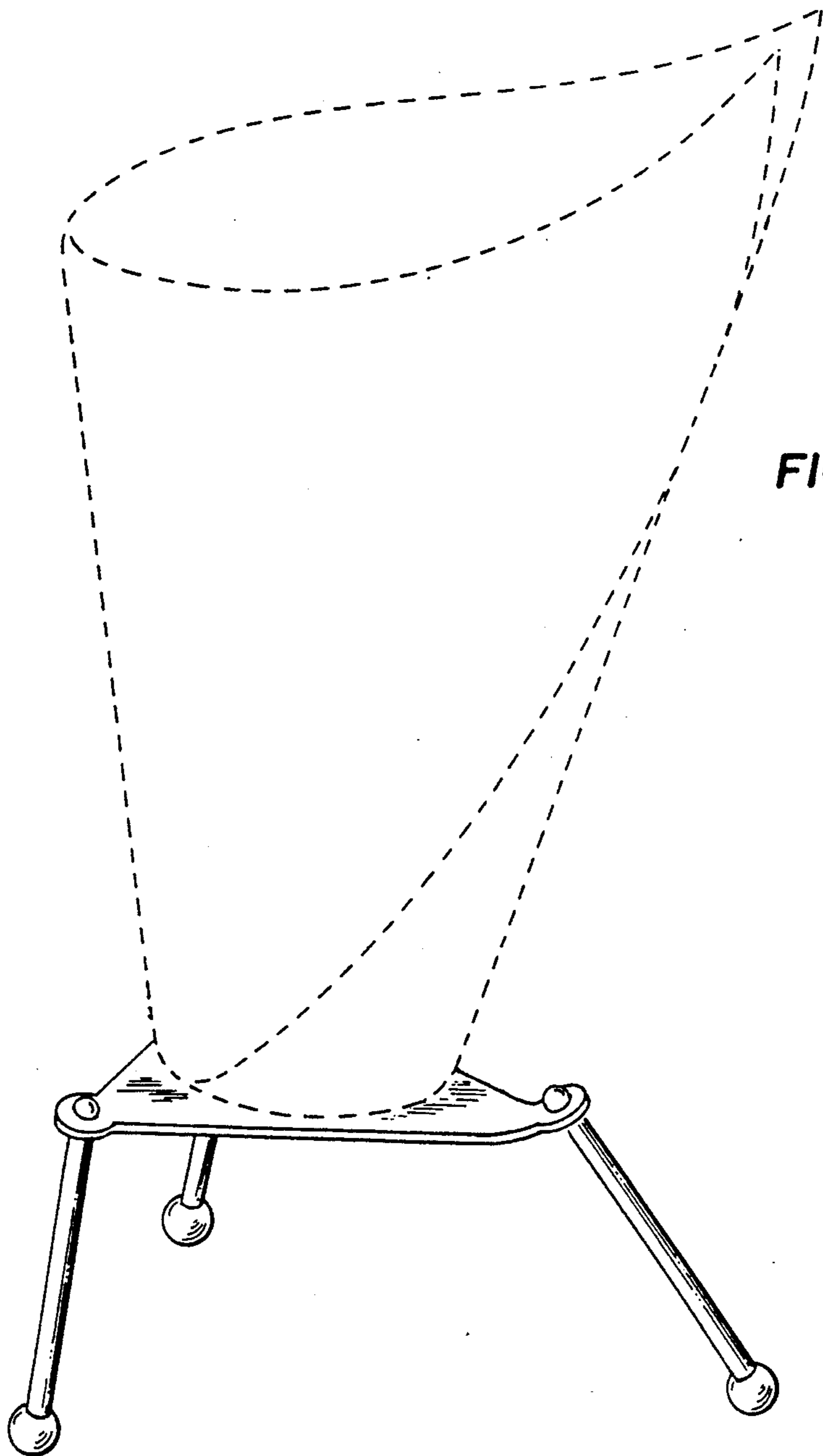


FIG. 5

FIG. 6

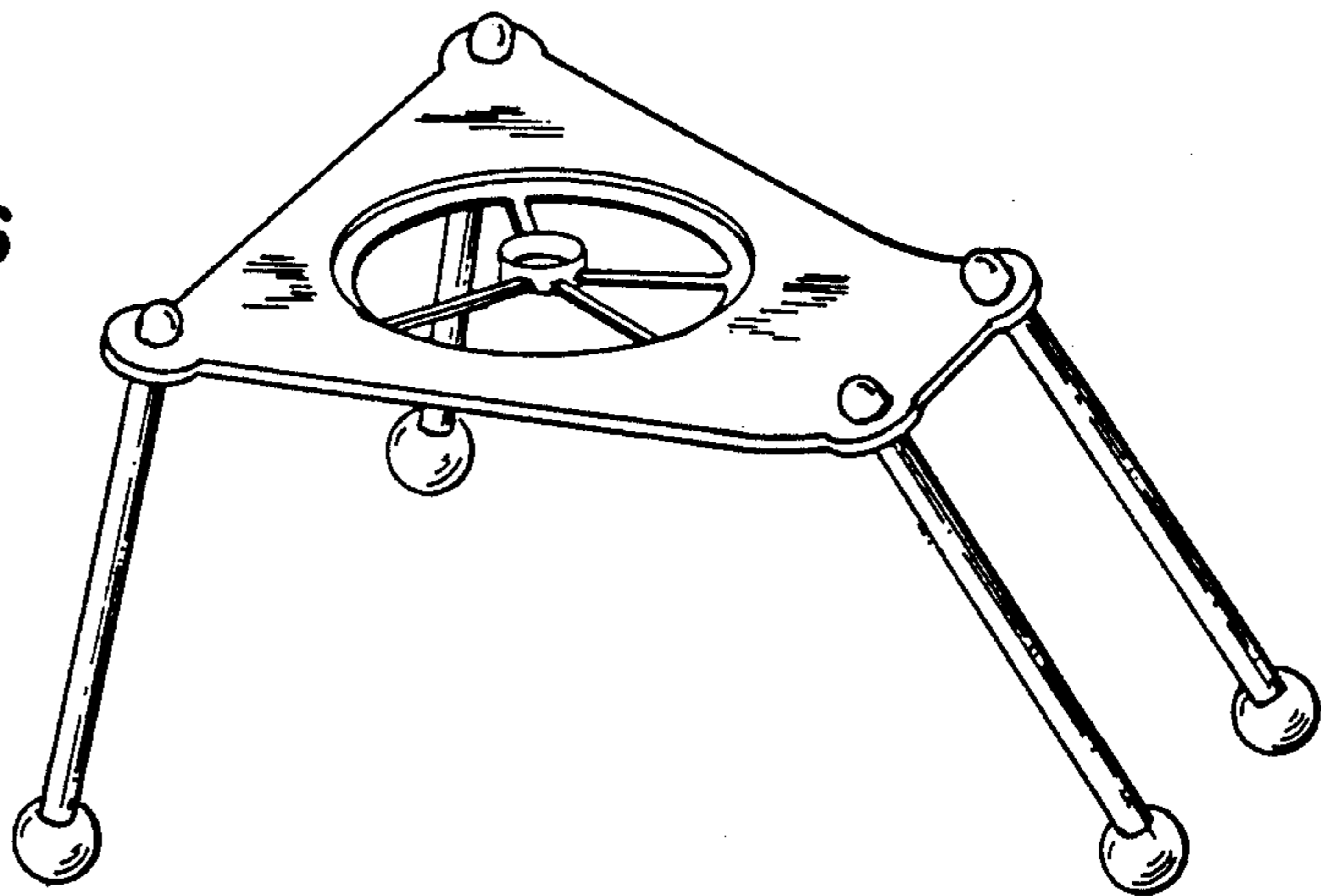


FIG. 7

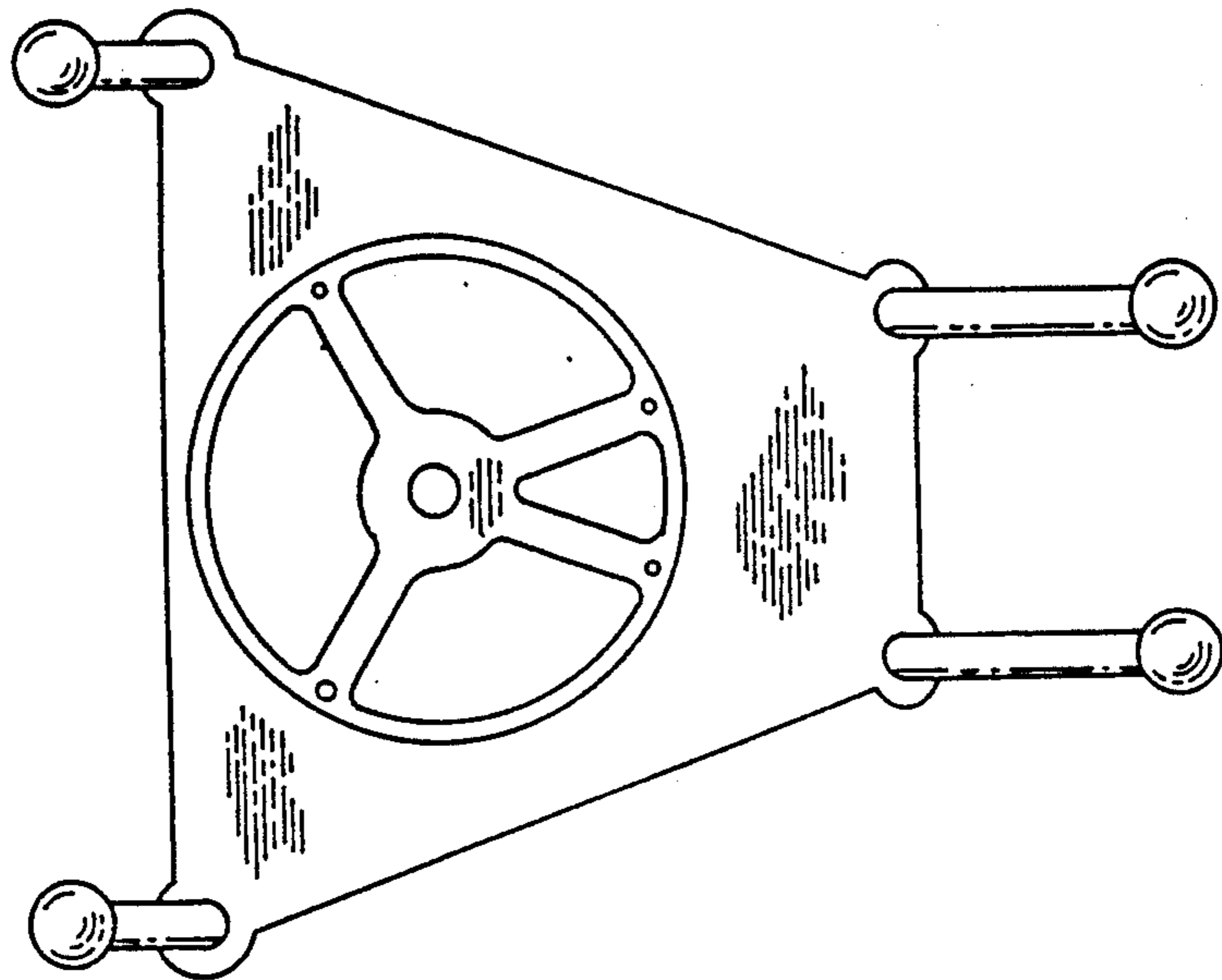


FIG. 8

