

[54] EXTERIOR LIGHTING FIXTURE

[75] Inventors: Kevork P. Hazerjian, West Roxbury, Mass.; Amos Levitt, South Orange, N.J.

[73] Assignee: Sturdy Lantern Mfg. Co., Inc., North Attleboro, Mass.

[**] Term: 14 Years

[21] Appl. No.: 400,972

[22] Filed: Aug. 31, 1989

[52] U.S. Cl. D26/67; D26/24

[58] Field of Search D26/67-71, D26/72, 85, 87, 24, 91, 92, 88, 63; 362/431, 432, 147, 267, 362, 363

[56] References Cited

U.S. PATENT DOCUMENTS

D. 304,623	11/1989	Roustone	D26/63
3,263,069	7/1966	Krucki et al.	D26/63 X
3,416,124	12/1968	Irvine	D26/63 X
4,774,648	9/1988	Kakuk et al.	362/431 X

OTHER PUBLICATIONS

Illuminating Engineering, 1-1964, p. 17, yard light #49b.

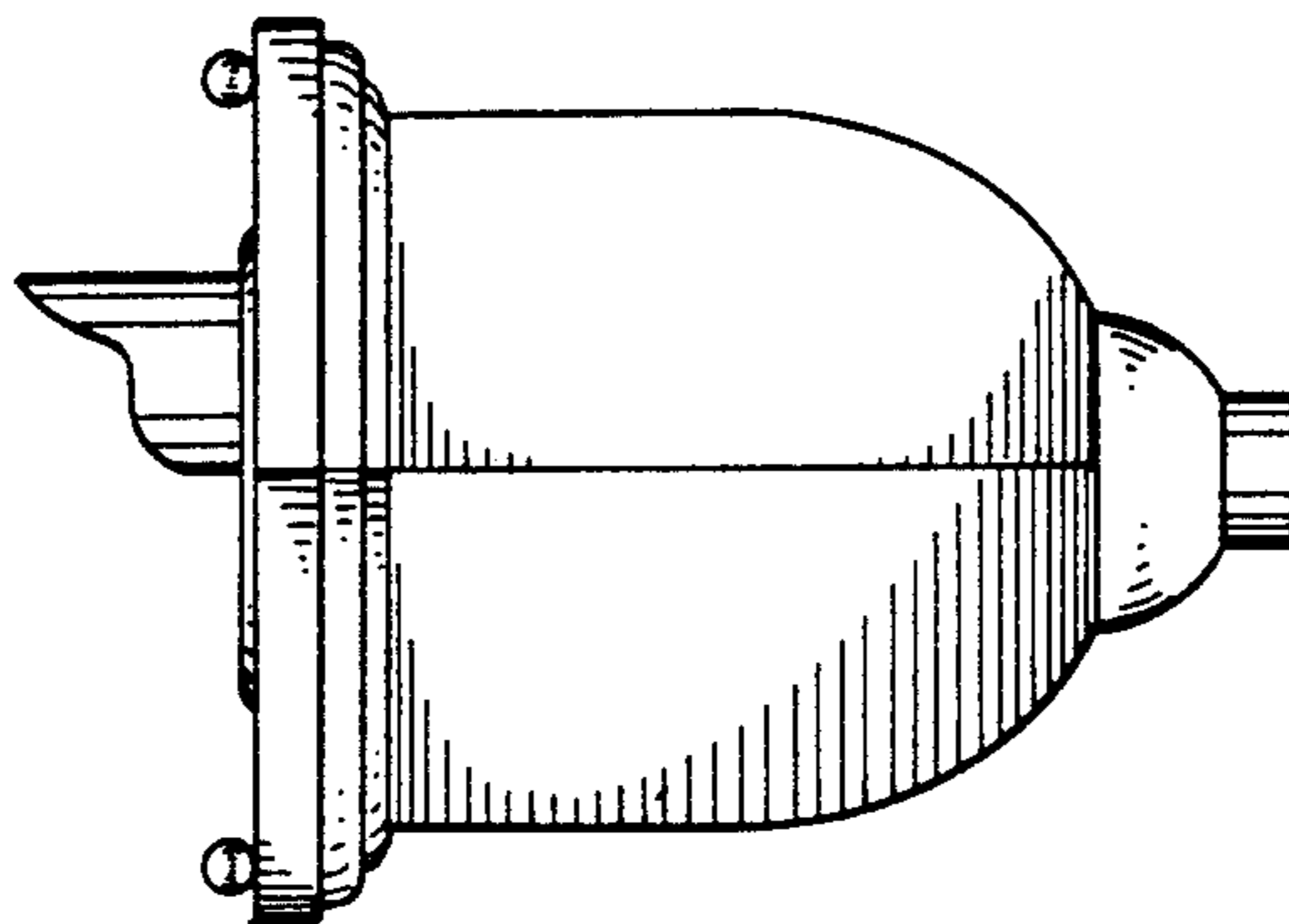
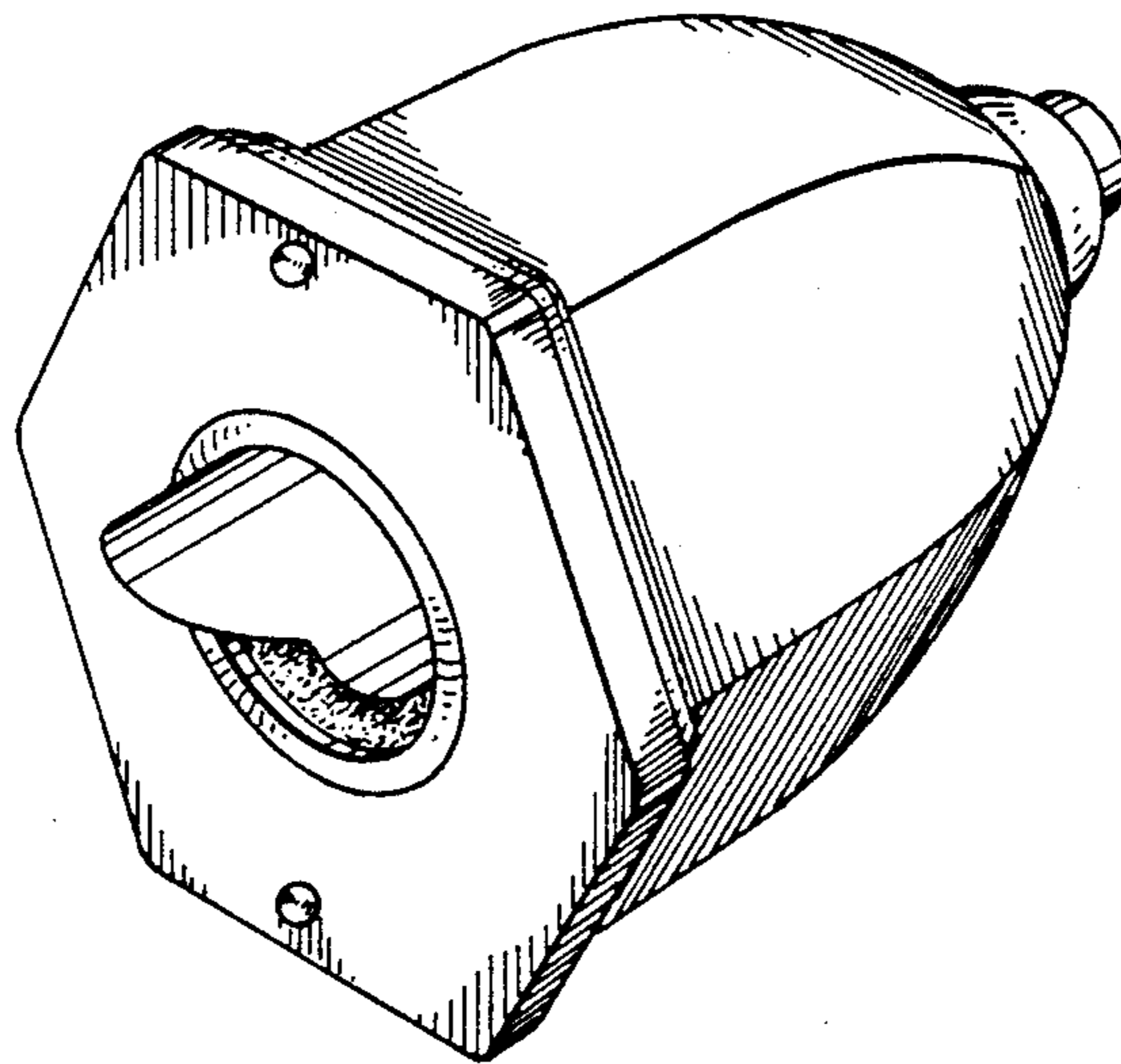
Primary Examiner—Susan J. Lucas
Attorney, Agent, or Firm—Salter & Michaelson

[57] CLAIM

The ornamental design for an exterior lighting fixture, as shown and described.

DESCRIPTION

FIG. 1 is a top perspective view of an exterior lighting fixture showing our new design;
 FIG. 2 is a side elevational view thereof, the opposite side being a mirror image;
 FIG. 3 is a top plan view thereof;
 FIG. 4 is a front elevational view thereof;
 FIG. 5 is a rear elevational view thereof;
 FIG. 6 is a top perspective view of a second embodiment of our new design;
 FIG. 7 is a side elevational view thereof, the opposite side being a mirror image;
 FIG. 8 is a top plan view thereof;
 FIG. 9 is a front elevational view thereof;
 FIG. 10 is a rear elevational view thereof;
 FIG. 11 is a top perspective view of a third embodiment of our new design;
 FIG. 12 is a side elevational view thereof, the opposite side being a mirror image;
 FIG. 13 is a top plan view thereof;
 FIG. 14 is a front elevational view thereof; and
 FIG. 15 is a rear elevational view thereof.



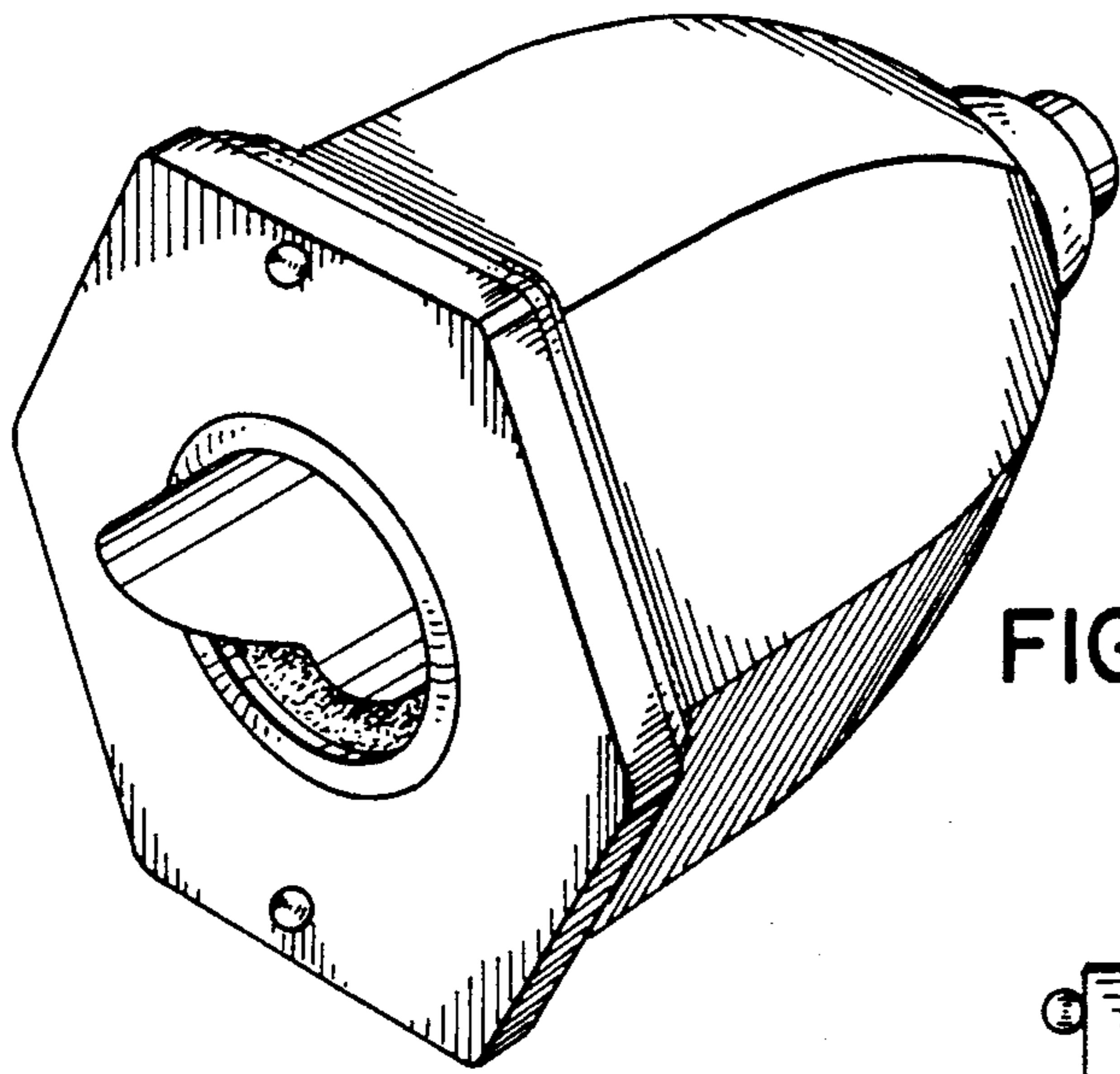


FIG. 1

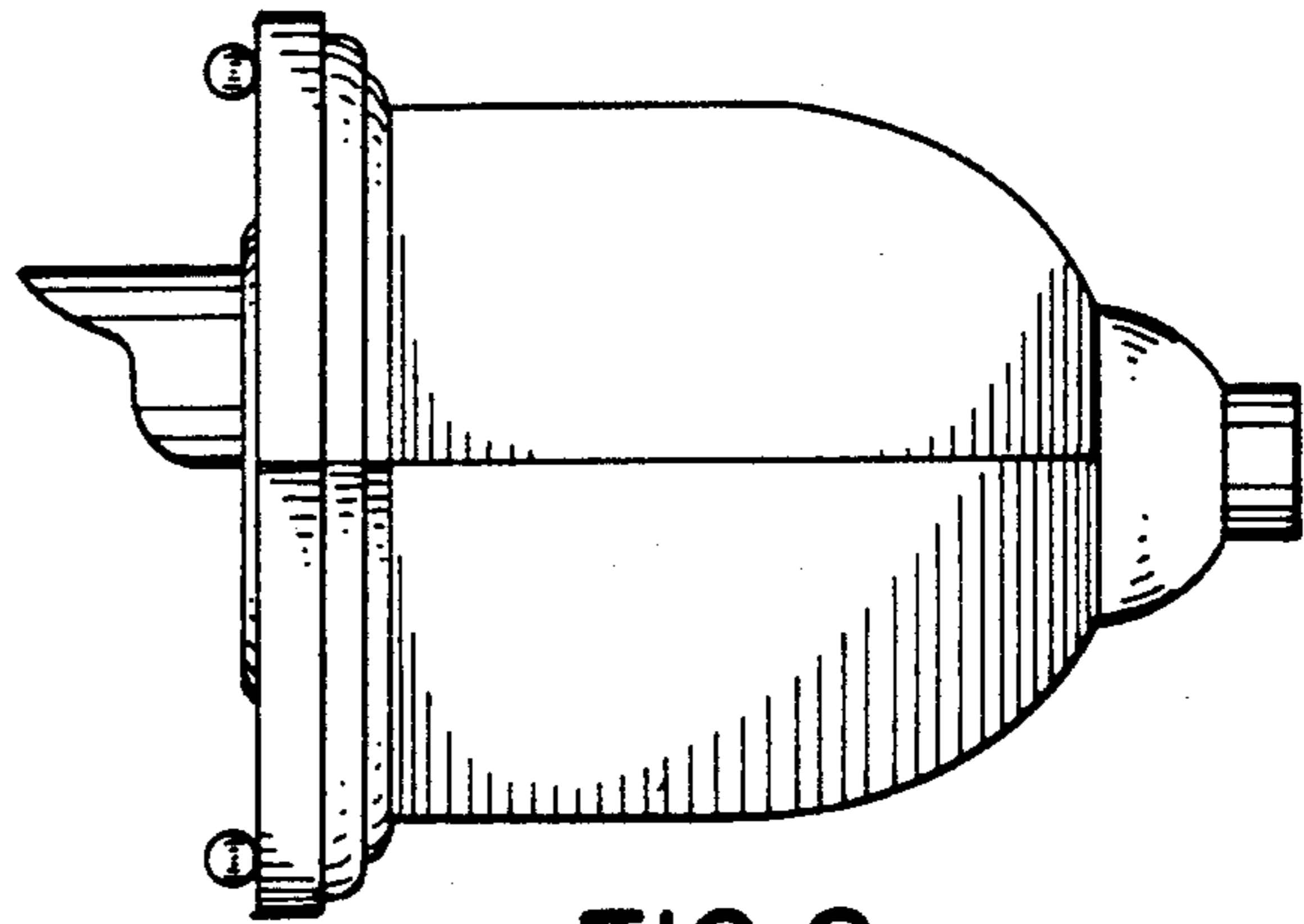


FIG. 2

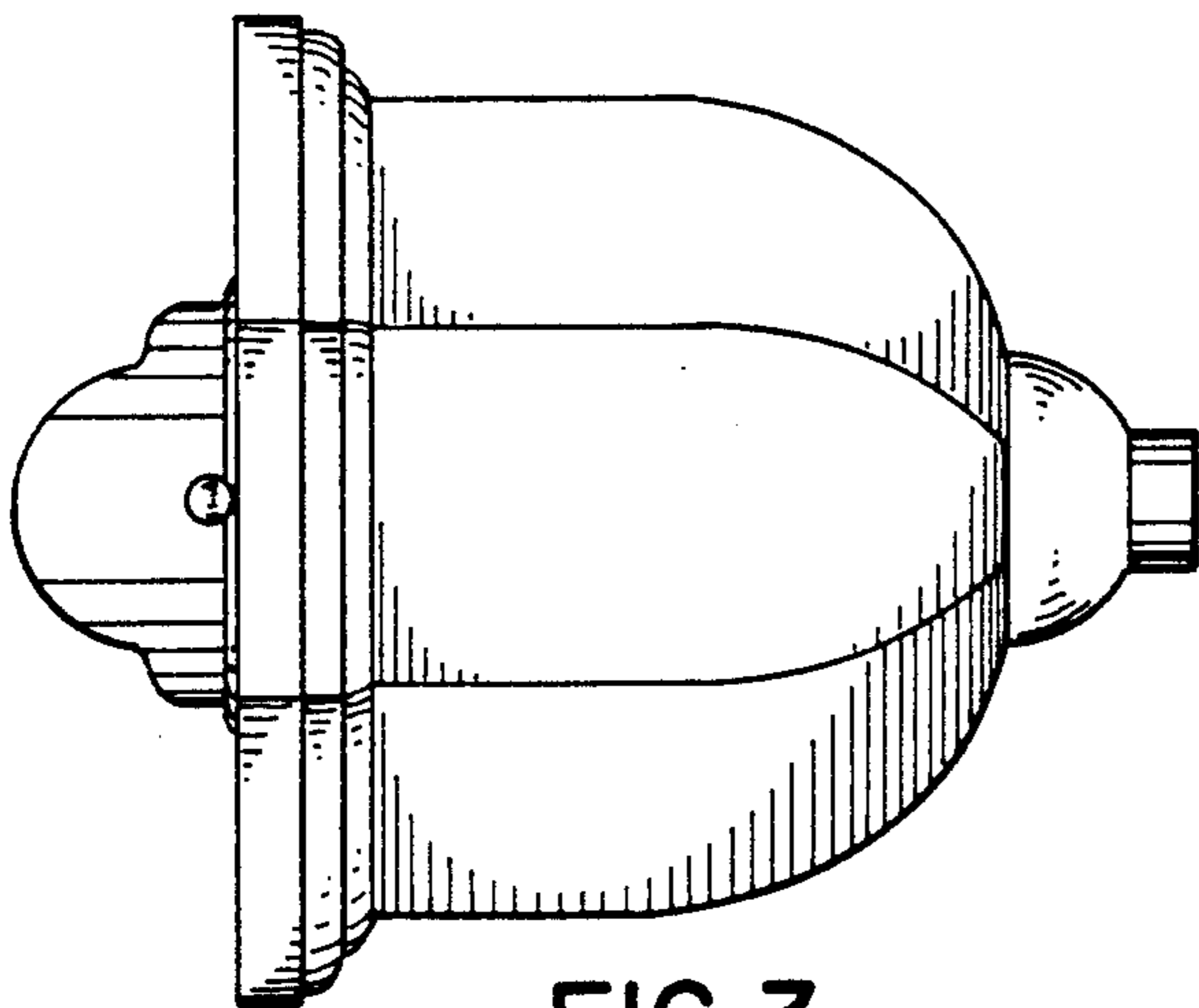


FIG. 3

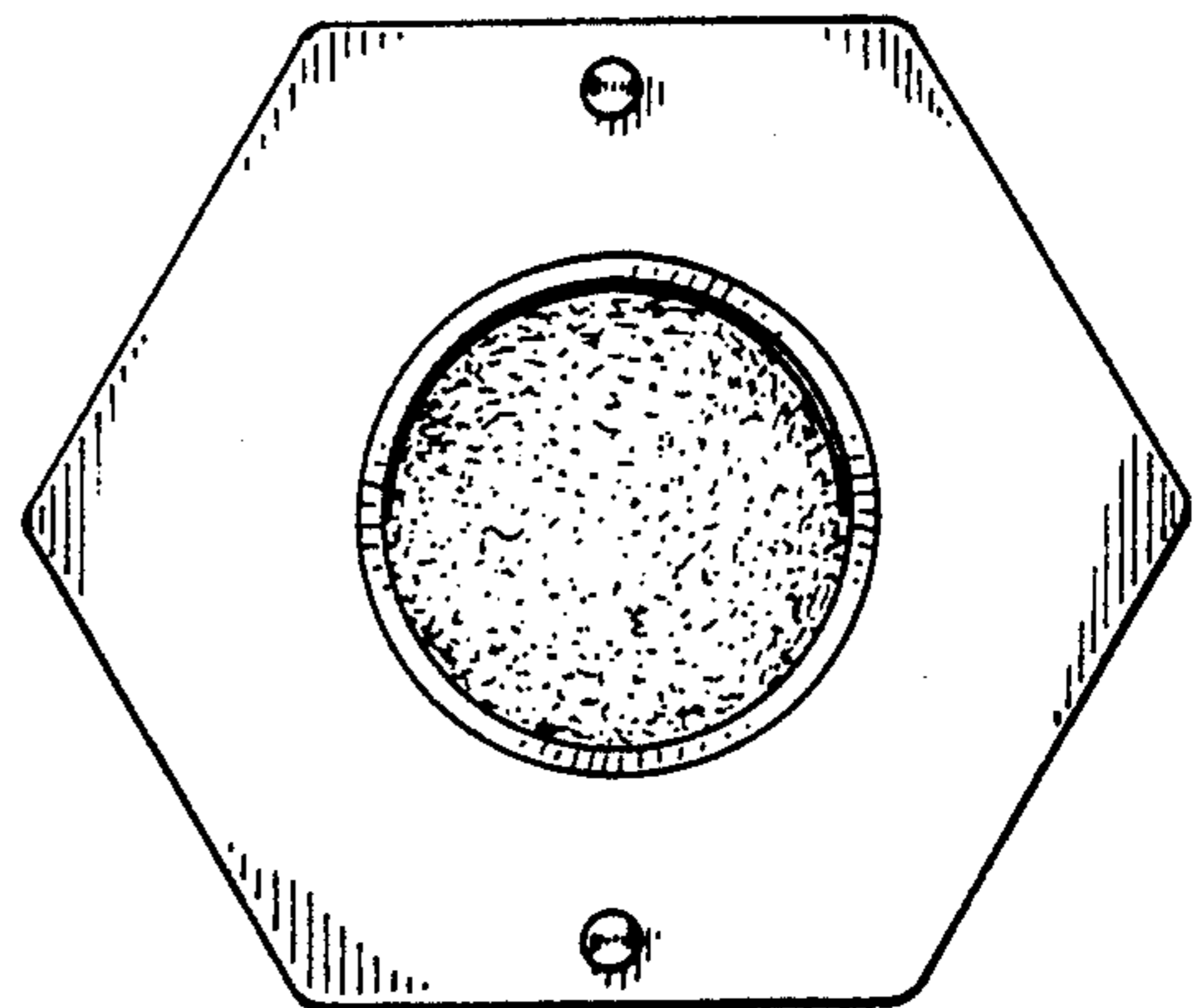


FIG. 4

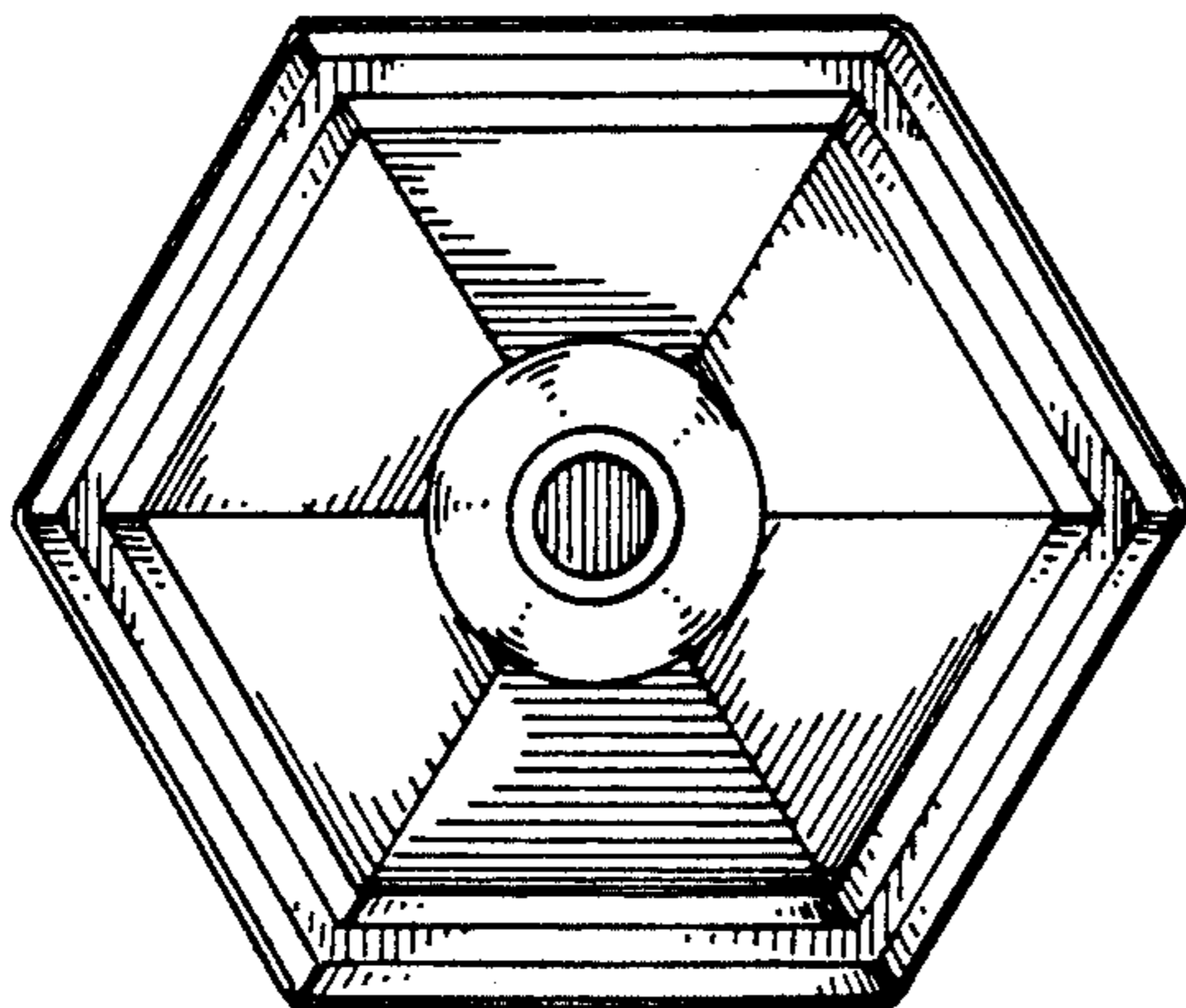


FIG. 5

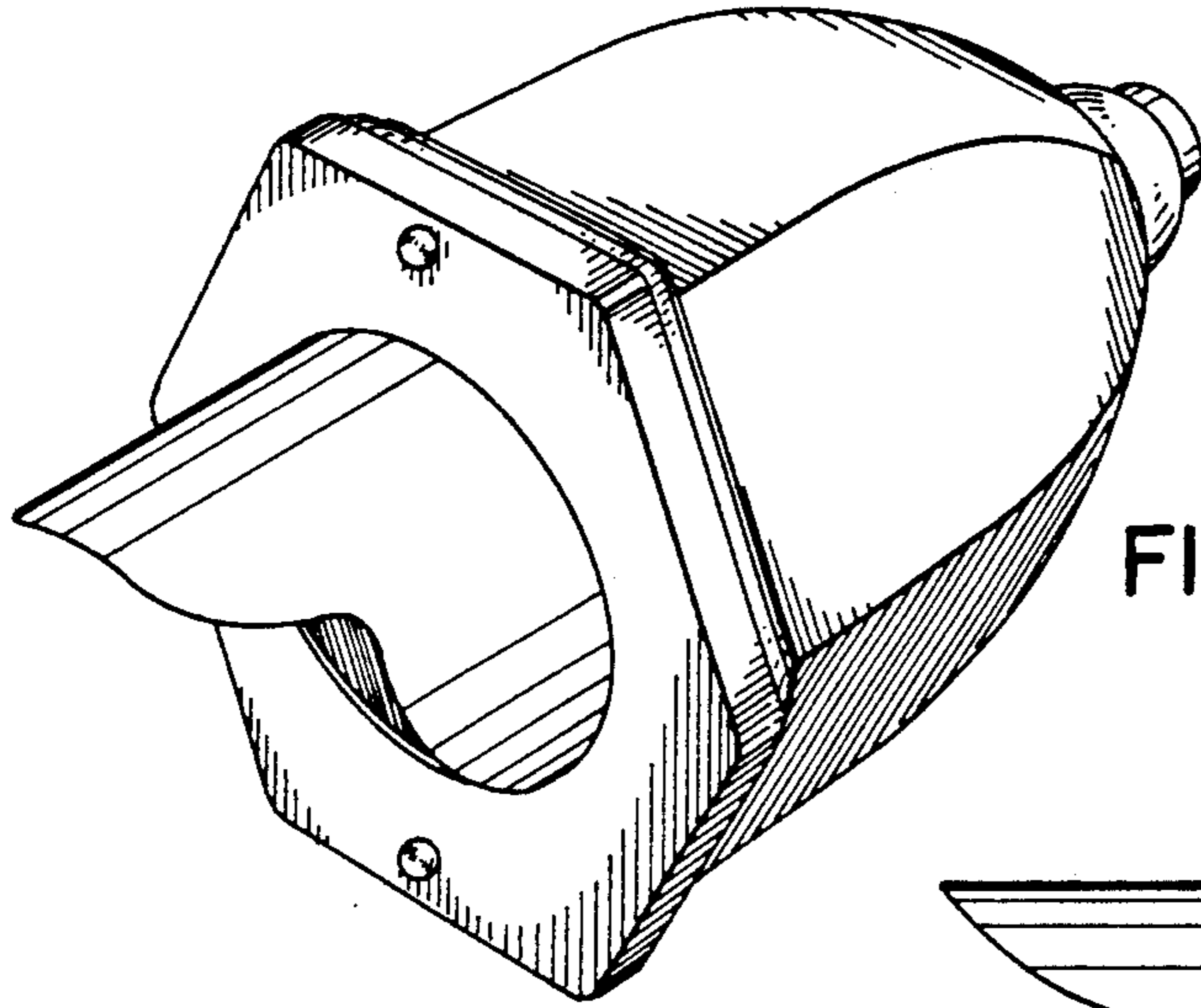


FIG. 6

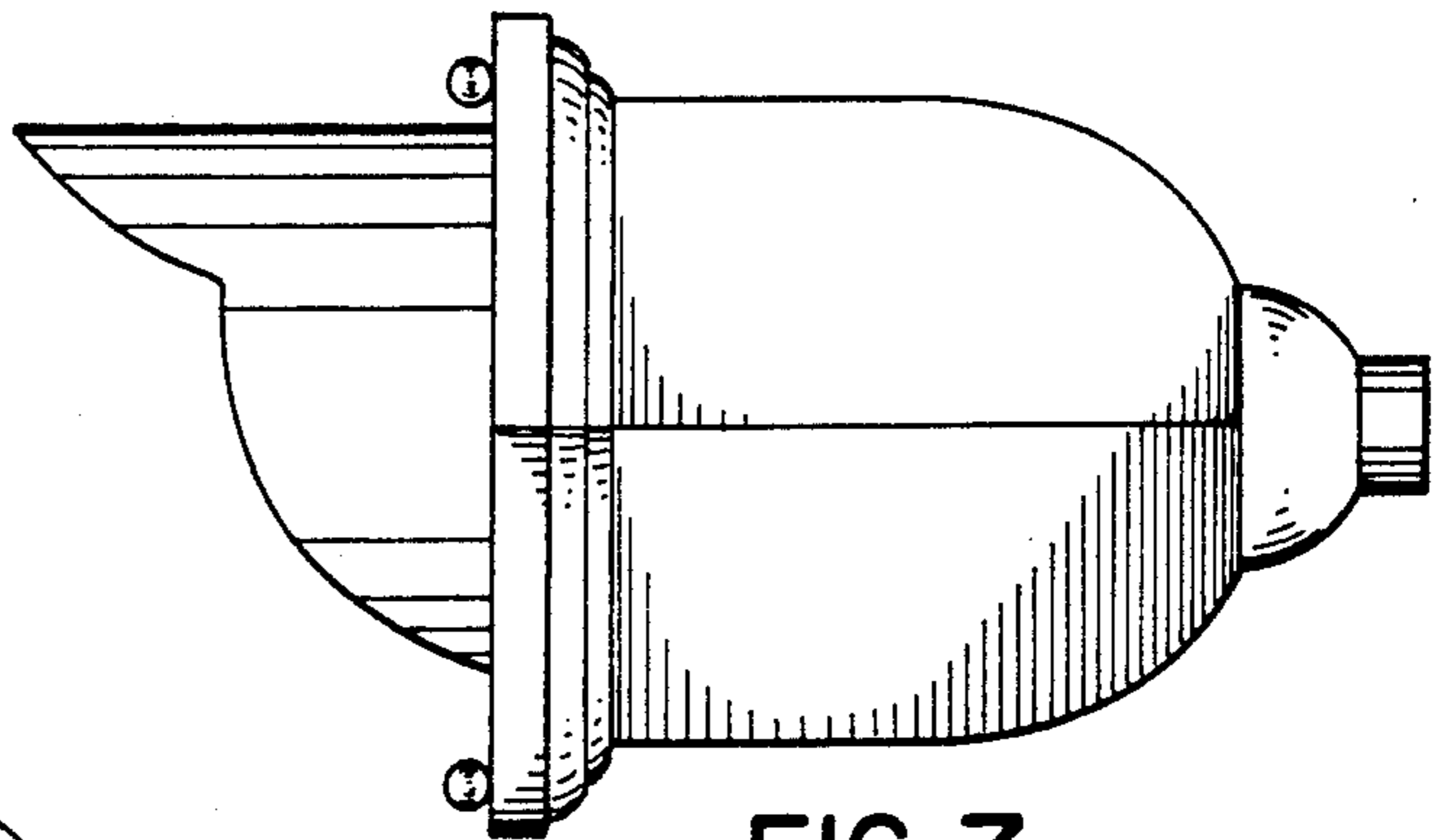


FIG. 7

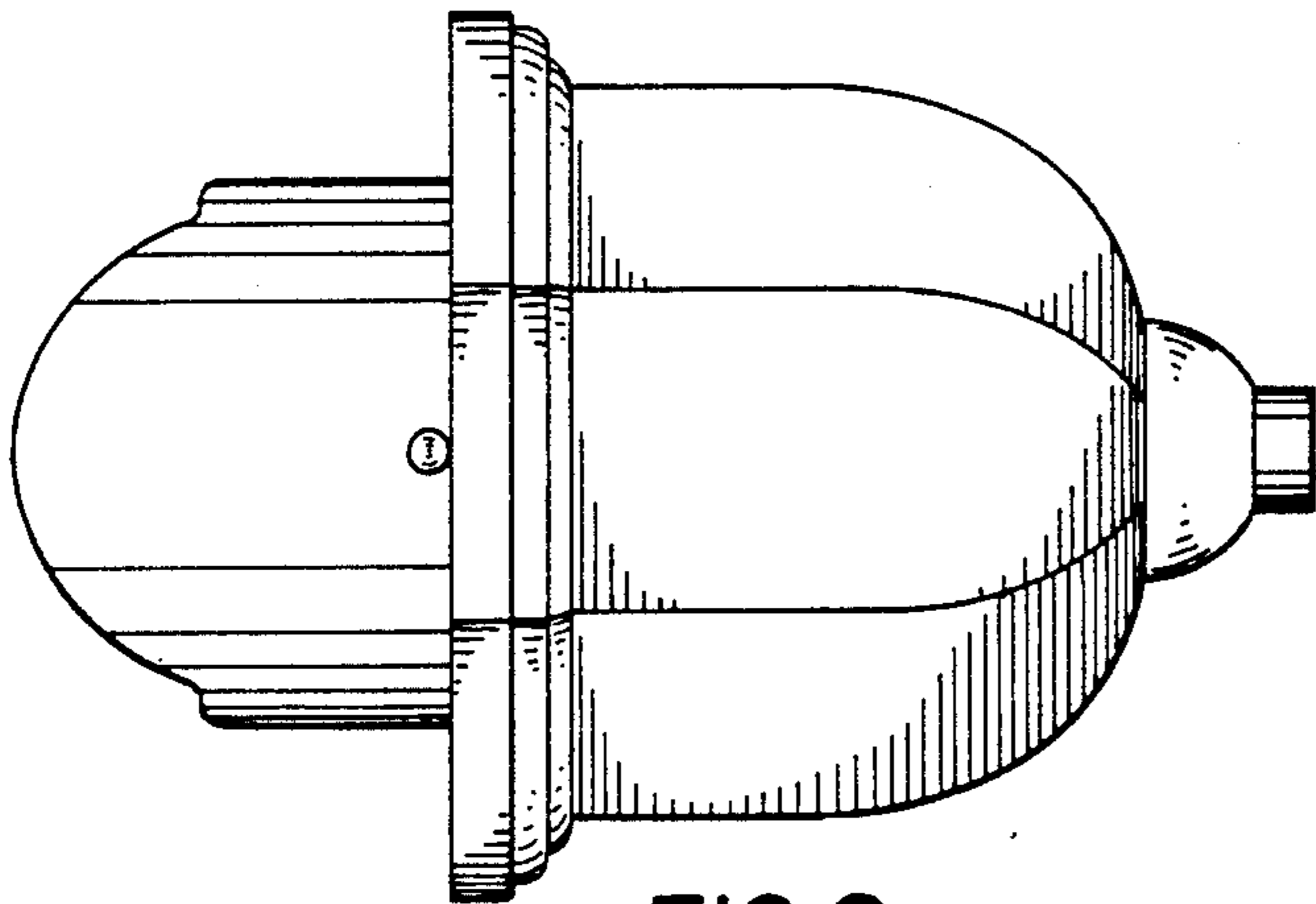


FIG. 8

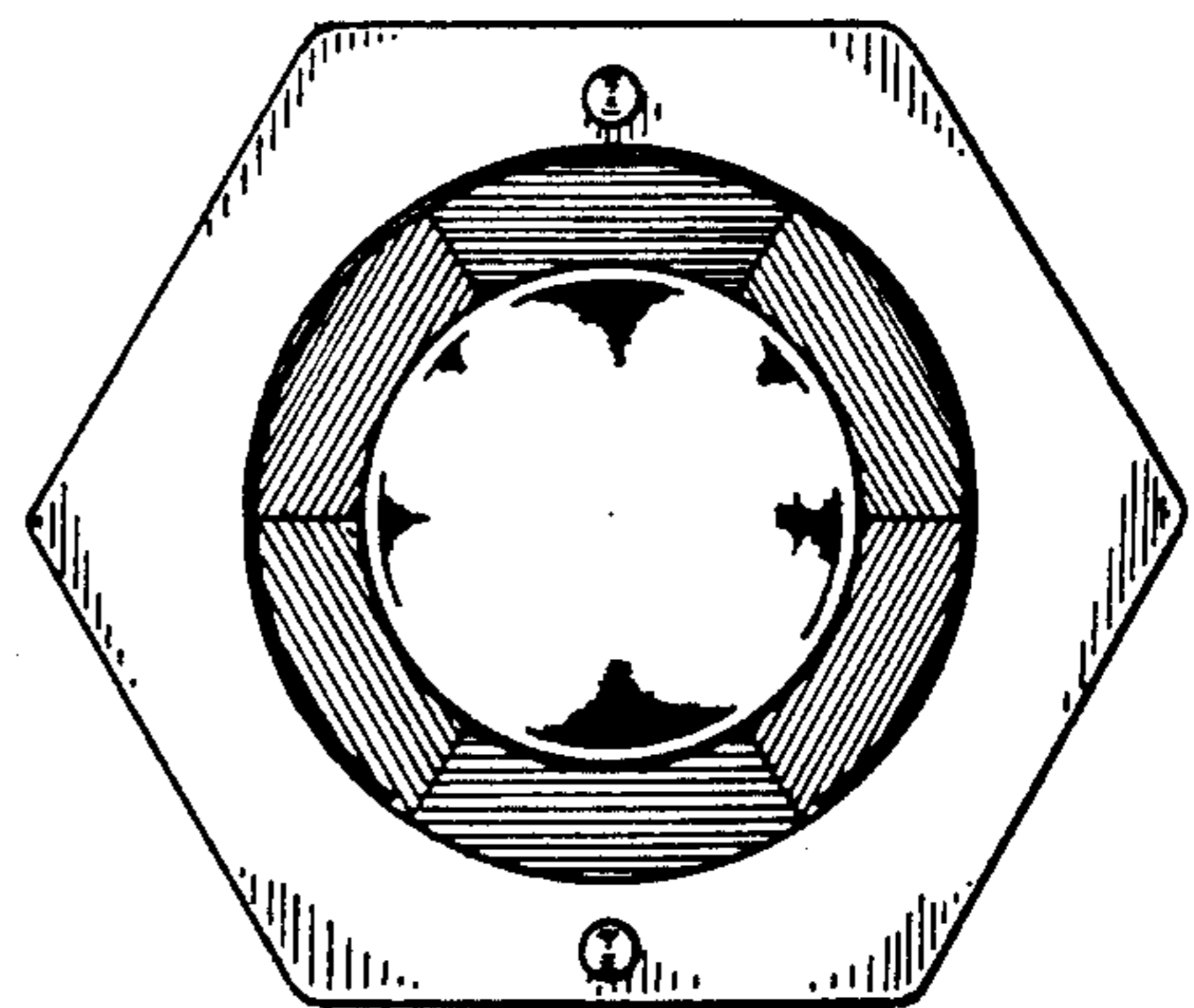


FIG. 9

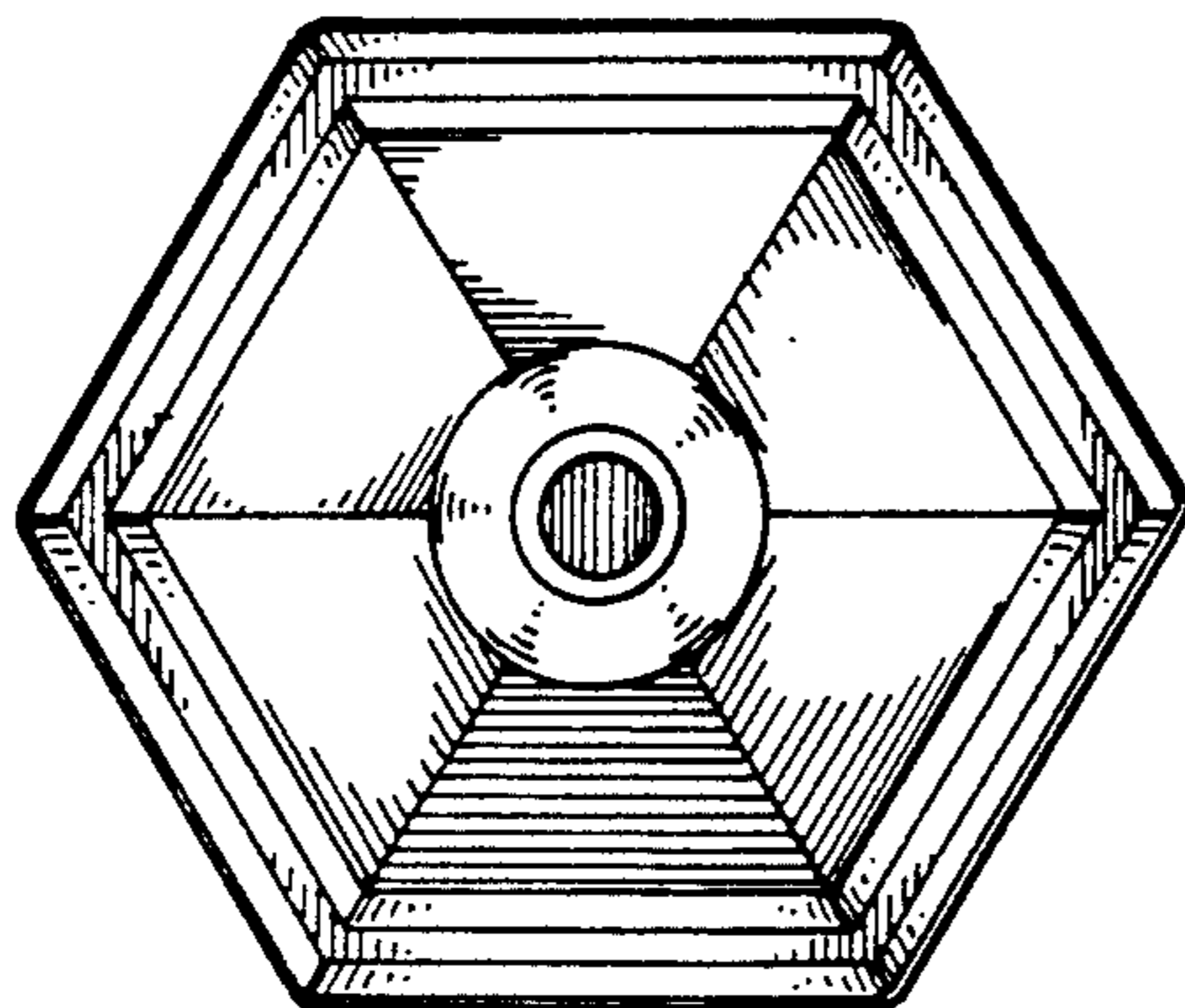


FIG. 10

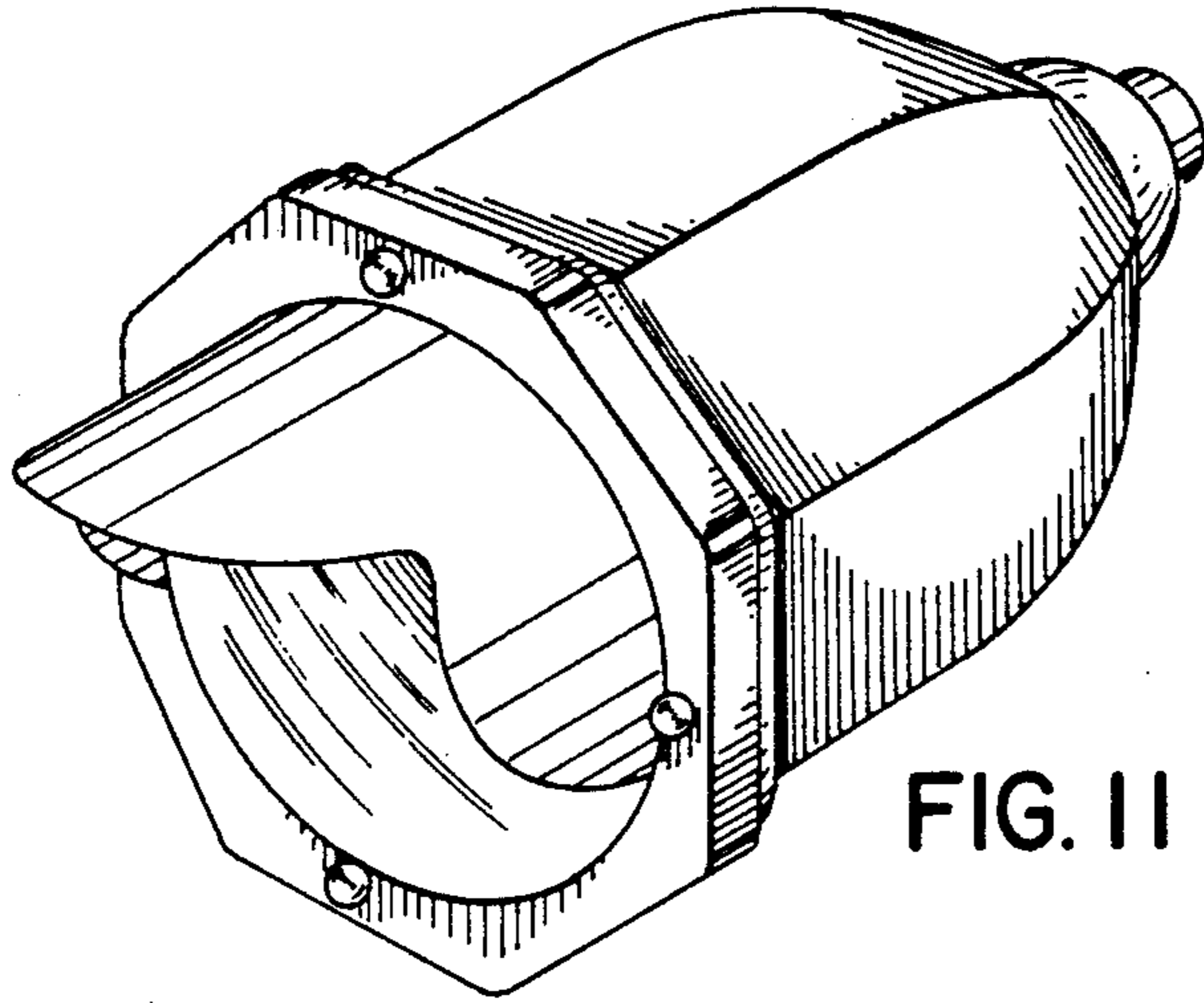


FIG. 11

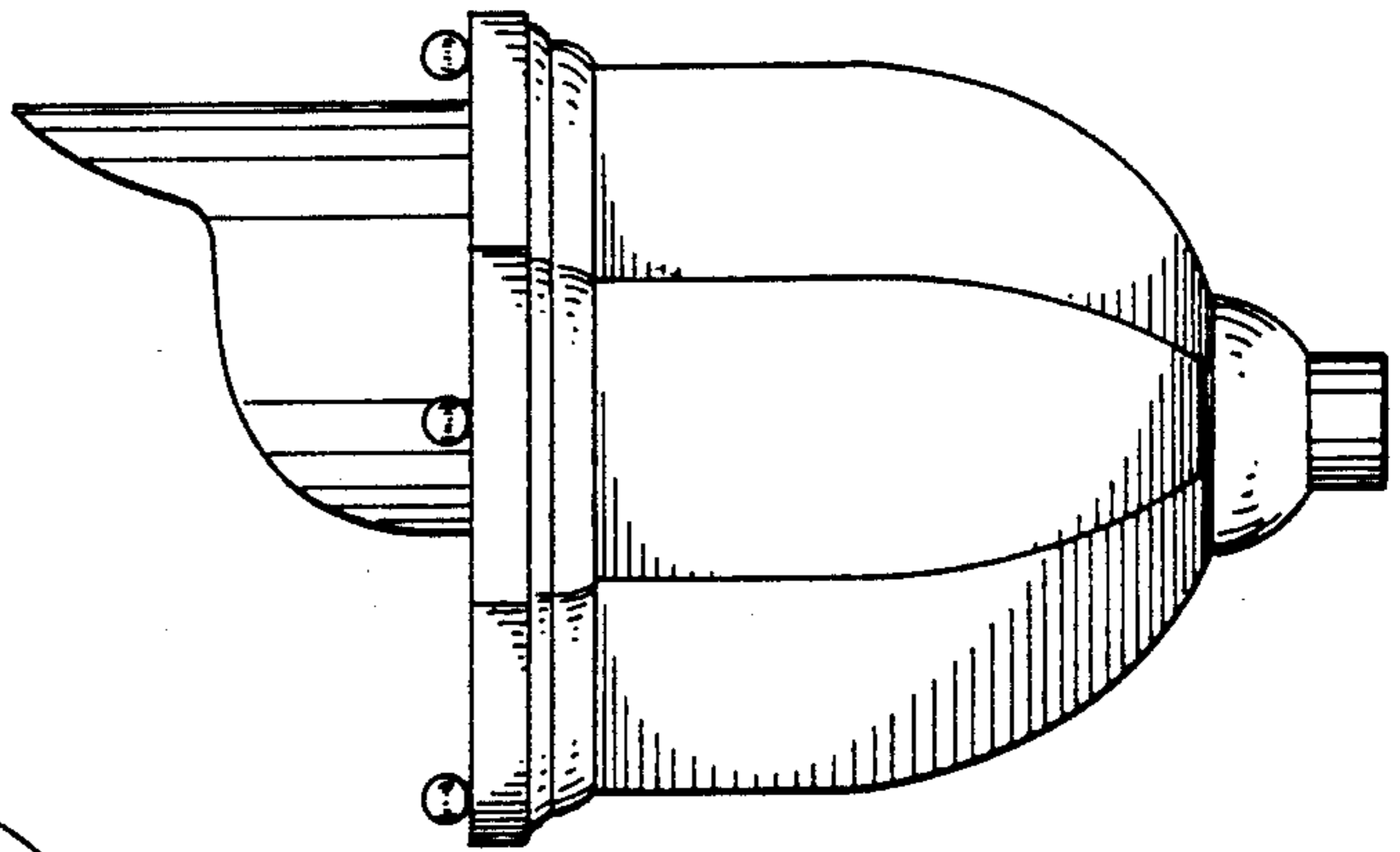


FIG. 12

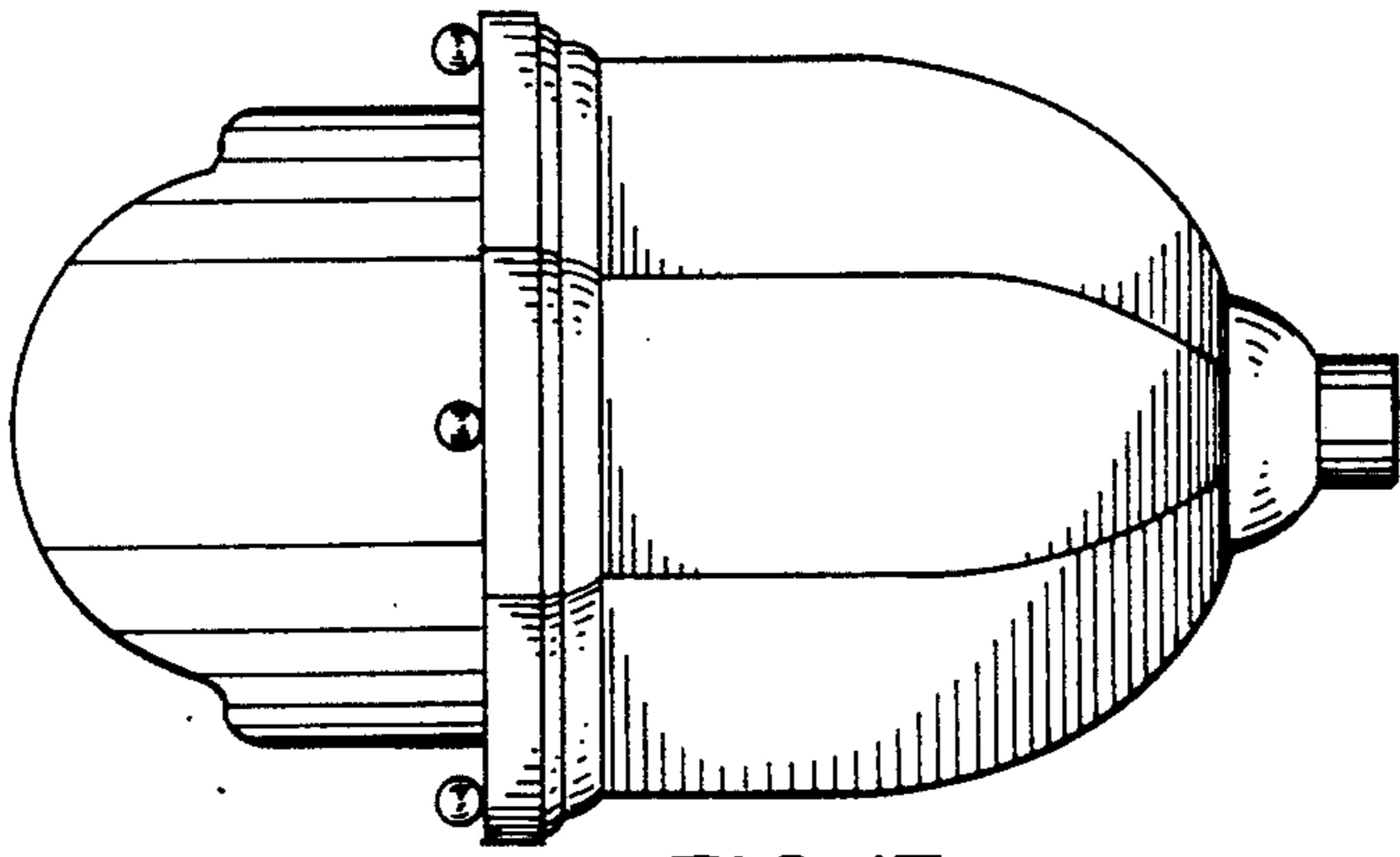


FIG. 13

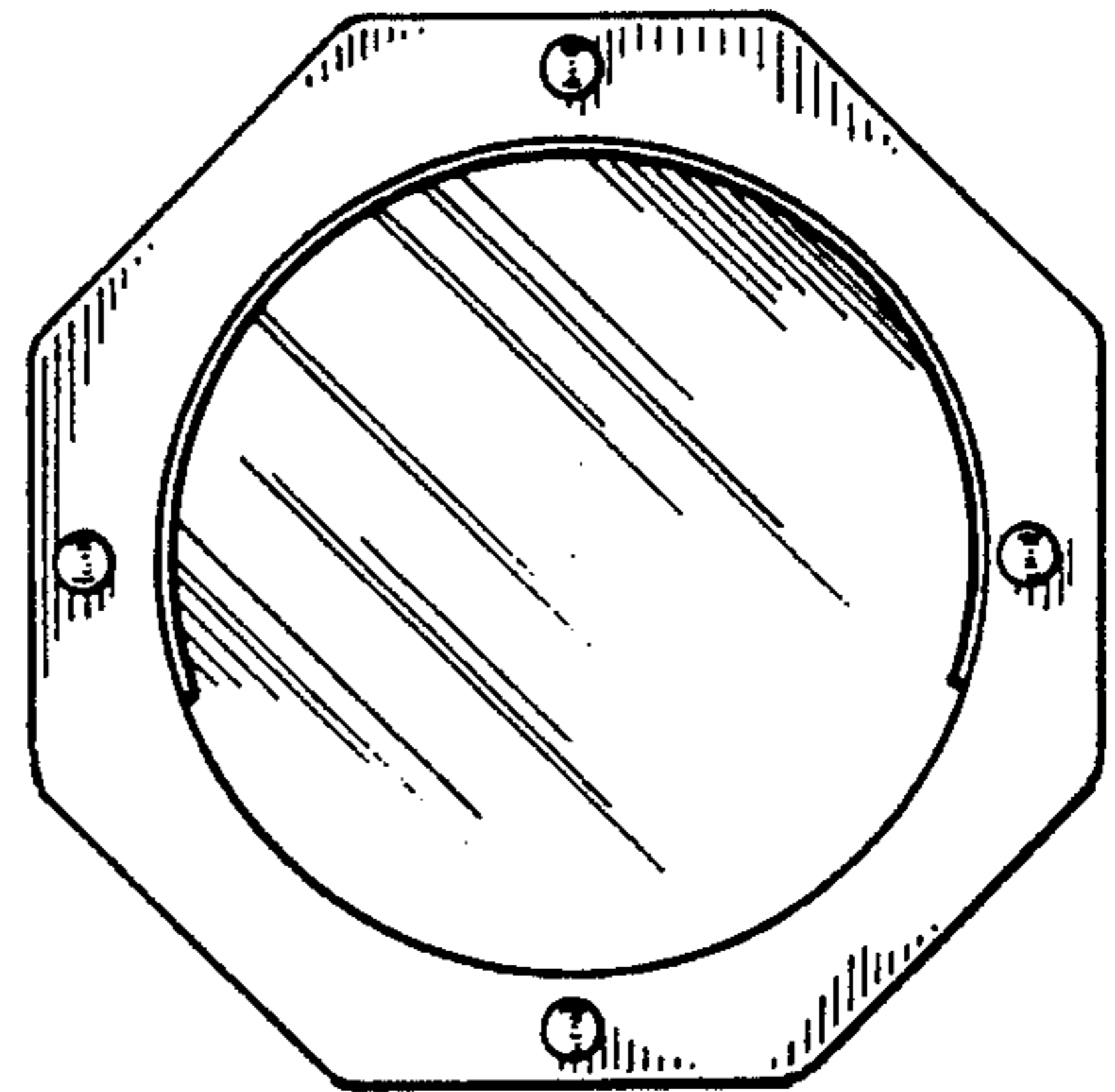


FIG. 14

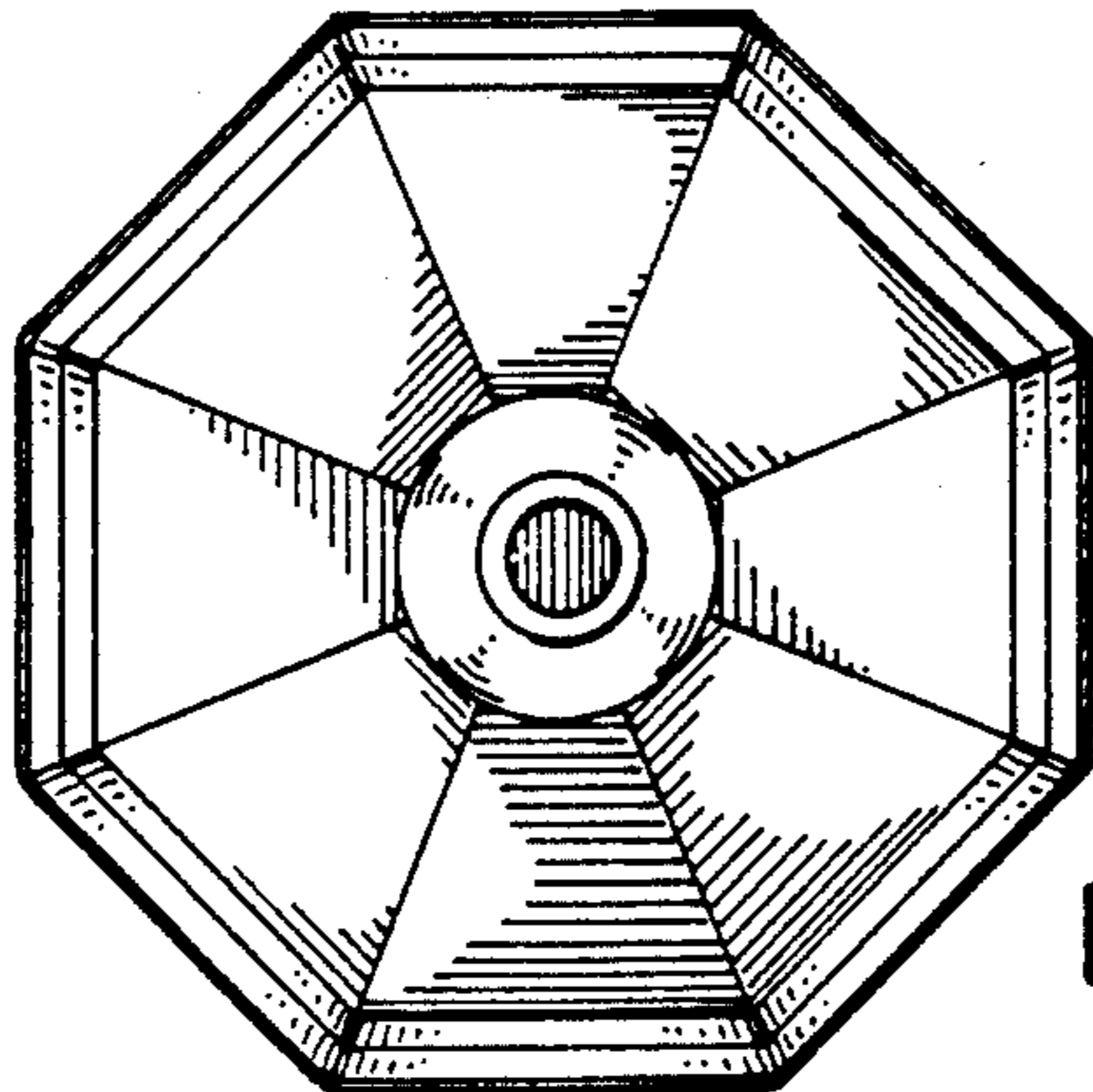


FIG. 15