

[54] FLUORESCENT REFLECTOR LAMP

4,746,840 5/1988 Lim ..... 313/318

[76] Inventor: Kenneth S. Lim, 47 St. James Pl.,  
Piedmont, Calif. 94611

OTHER PUBLICATIONS

Lumatech brochure, fluorescent lamp.

[\*\*] Term: 14 Years

Primary Examiner—Susan J. Lucas

[21] Appl. No.: 320,452

Attorney, Agent, or Firm—Burns, Doane, Swecker &  
Mathis

[22] Filed: Mar. 8, 1989

[52] U.S. Cl. .... D26/3

[58] Field of Search ..... D26/2, 3; 313/315, 318,  
313/483, 491, 495; 315/56, 57, 58; 362/216,  
226, 310, 297

[57] CLAIM

The ornamental design for a fluorescent reflector lamp,  
as shown and described.

[56] References Cited

U.S. PATENT DOCUMENTS

D. 199,758	12/1964	Biggs et al. ....	D26/2
D. 295,083	4/1988	Nakamura ....	D26/3
3,588,493	6/1971	Nordquist ....	362/297
4,420,799	12/1983	Miller ....	362/216

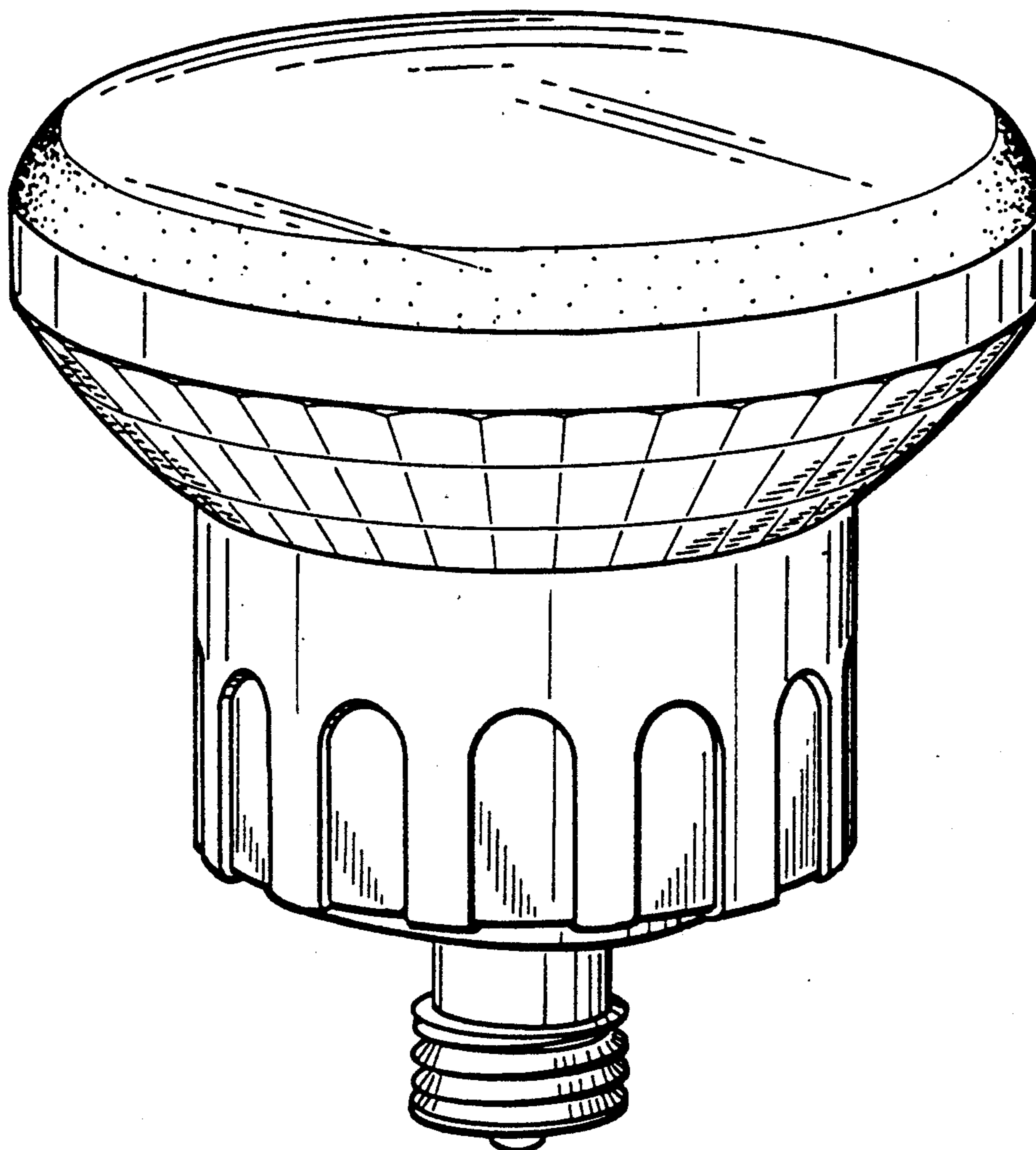
DESCRIPTION

FIG. 1 is a pictorial view of a fluorescent reflector lamp  
showing my new design;

FIG. 2 is a side elevational view thereof, all sides being  
identical;

FIG. 3 is a top plan view thereof; and

FIG. 4 is a bottom plan view thereof.



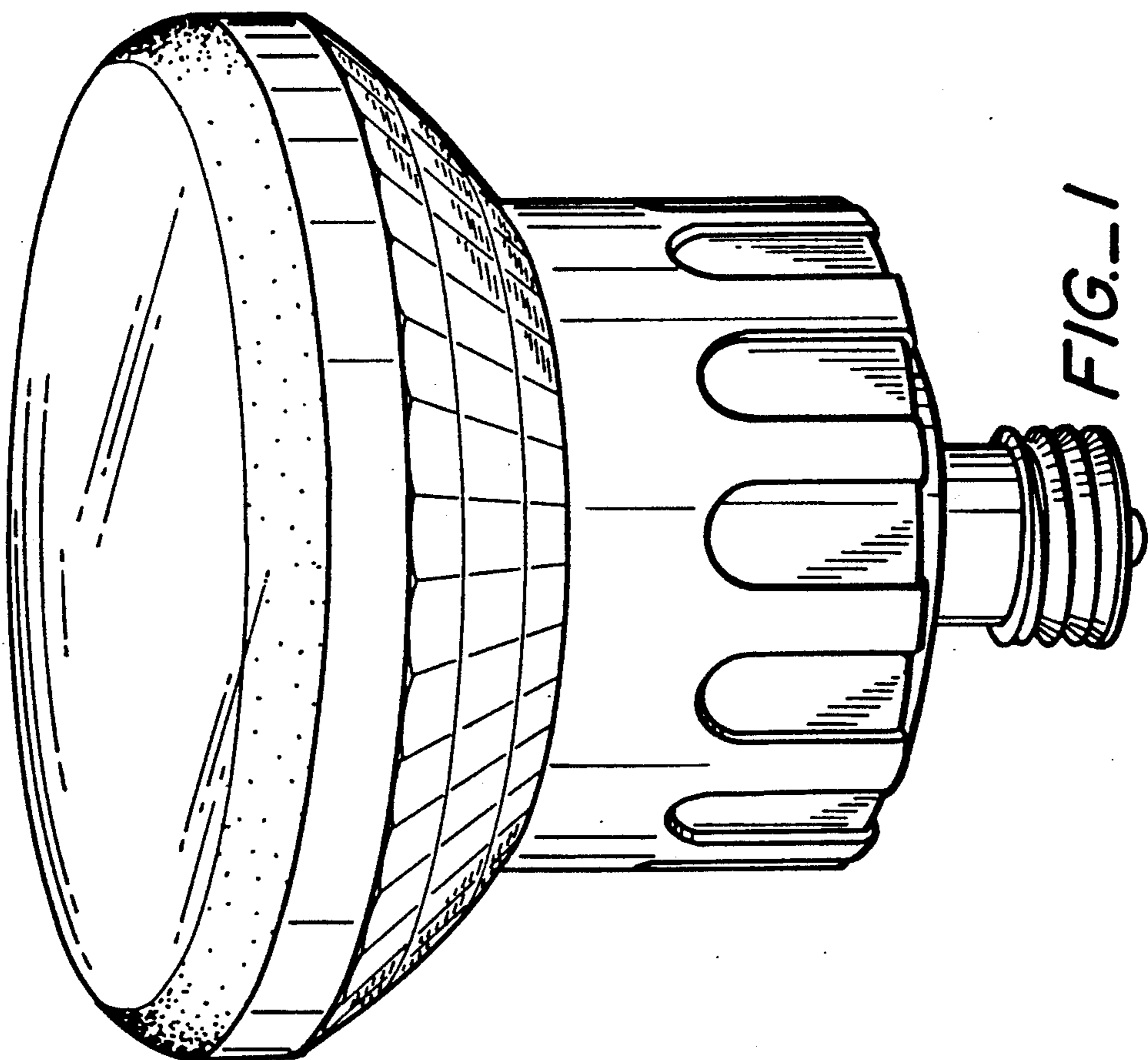


FIG.-1

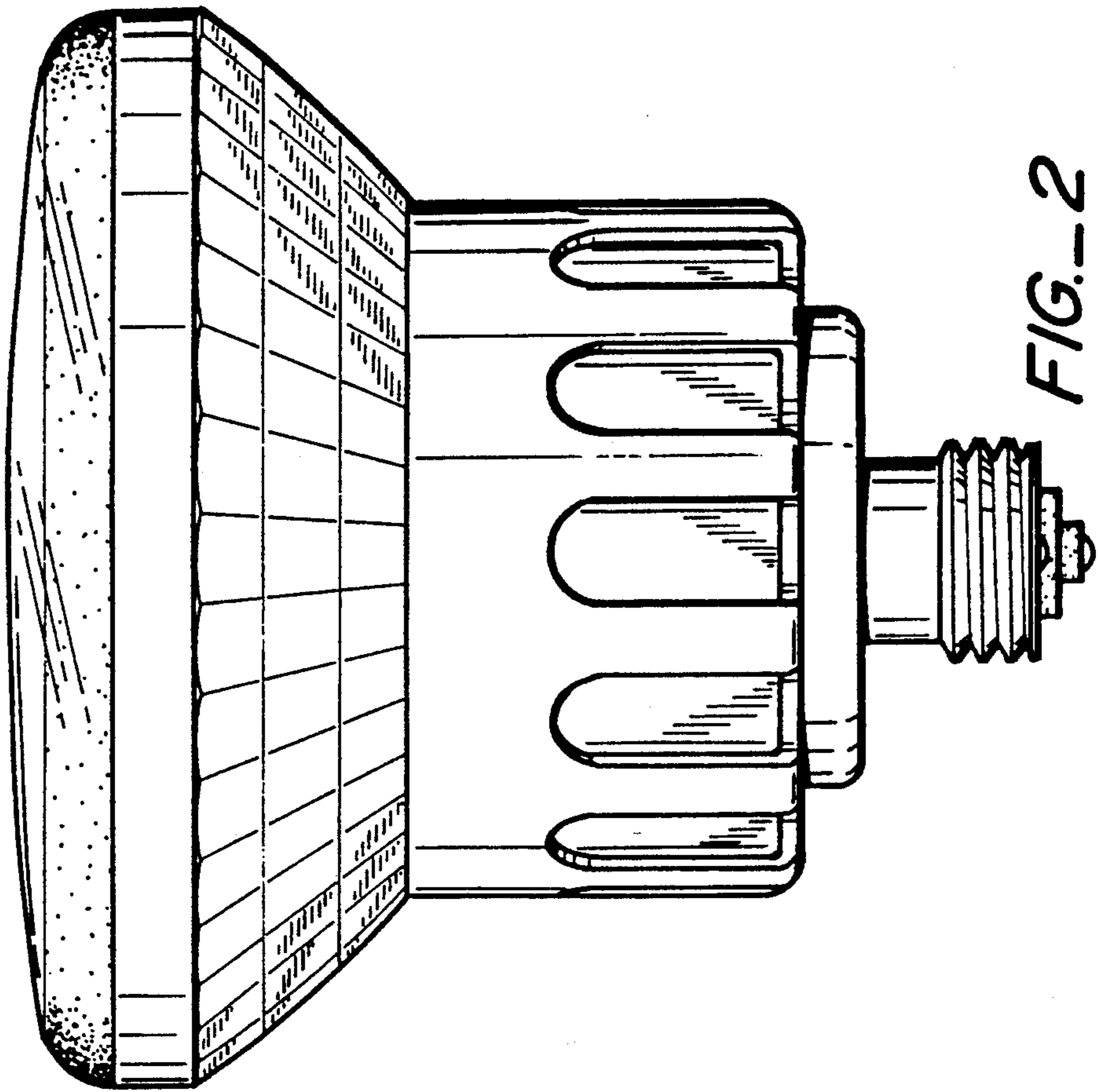


FIG.-2



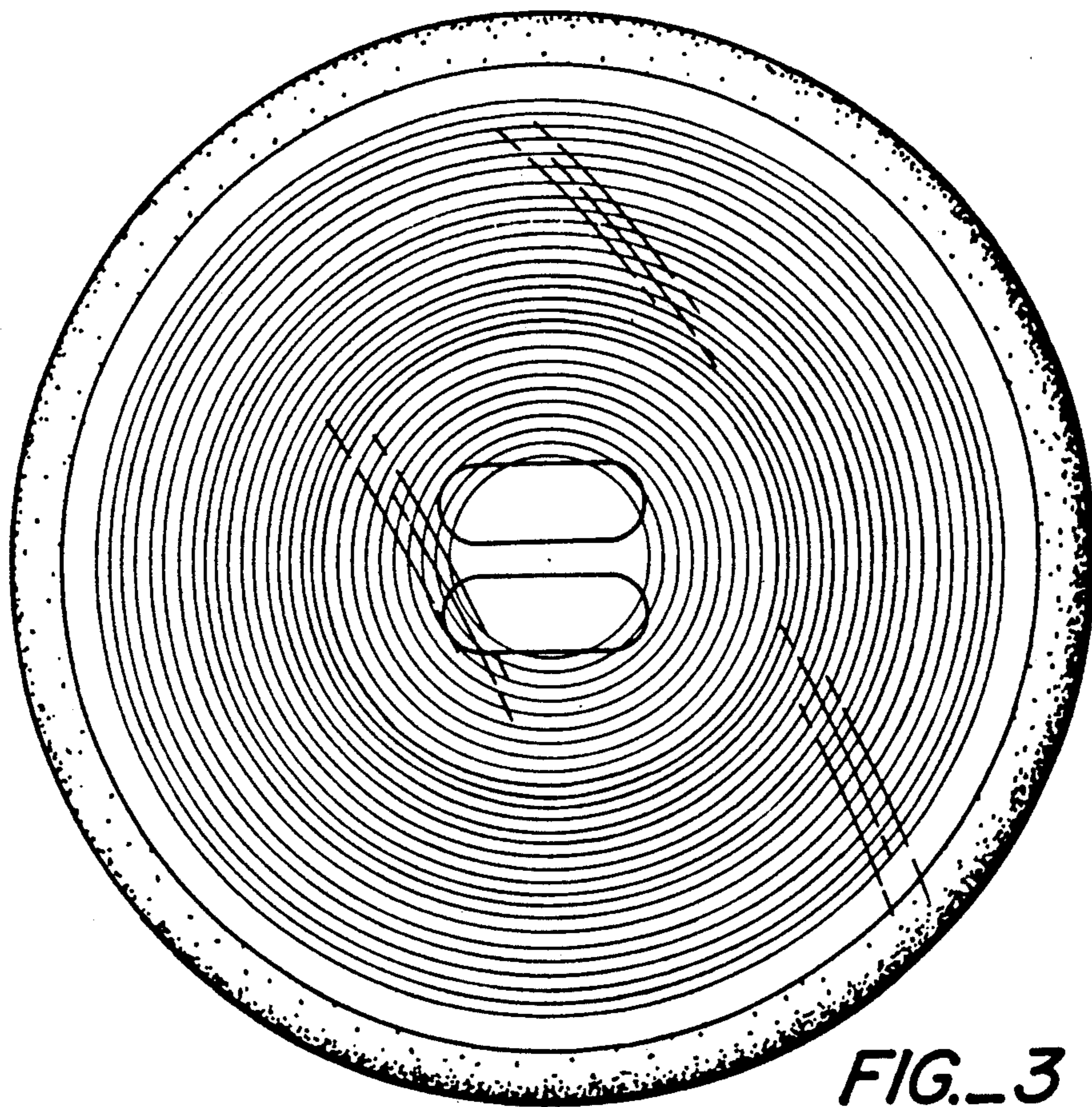


FIG. 3

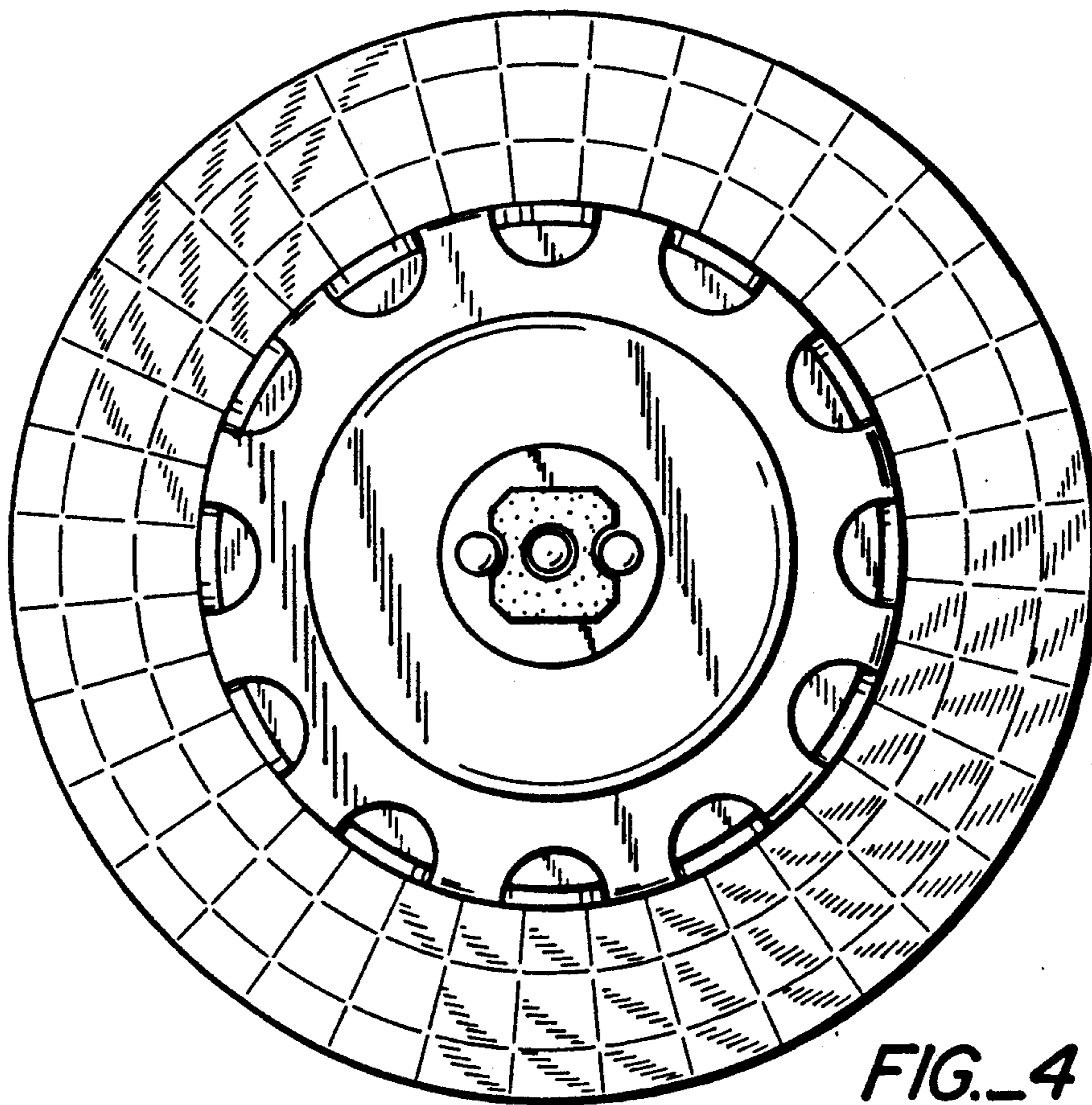


FIG. 4