

[54] PULSE OXIMETER

[75] Inventors: Peter W. Cheung, Mercer Island; Gary J. Selke, Kirkland, both of Wash.

[73] Assignee: SiMed Corporation, Bothell, Wash.

[\*\*] Term: 14 Years

[21] Appl. No.: 107,511

[22] Filed: Oct. 9, 1987

[52] U.S. Cl. .... D24/169; D24/167

[58] Field of Search ..... D24/8, 17, 21; 128/633, 128/664, 666

[56] References Cited

U.S. PATENT DOCUMENTS

- D. 224,813 9/1972 Sato ..... D24/17
- D. 224,814 9/1972 Sato ..... D24/17

- D. 249,891 10/1978 Rowland et al. .... D24/17
- 4,869,253 9/1989 Craig, Jr. et al. .... 128/633
- 4,883,055 11/1989 Merrick ..... 128/633

Primary Examiner—Stella Reid  
Attorney, Agent, or Firm—Seed and Berry

[57] CLAIM

The ornamental design for a pulse oximeter, as shown and described.

DESCRIPTION

FIG. 1 is a front perspective view of a pulse oximeter showing our new design;  
 FIG. 2 is a top plan view thereof;  
 FIG. 3 is a right side elevational view thereof;  
 FIG. 4 is a front elevational view thereof;  
 FIG. 5 is a left side elevational view thereof;  
 FIG. 6 is a rear elevational view thereof;  
 FIG. 7 is a bottom plan view thereof.

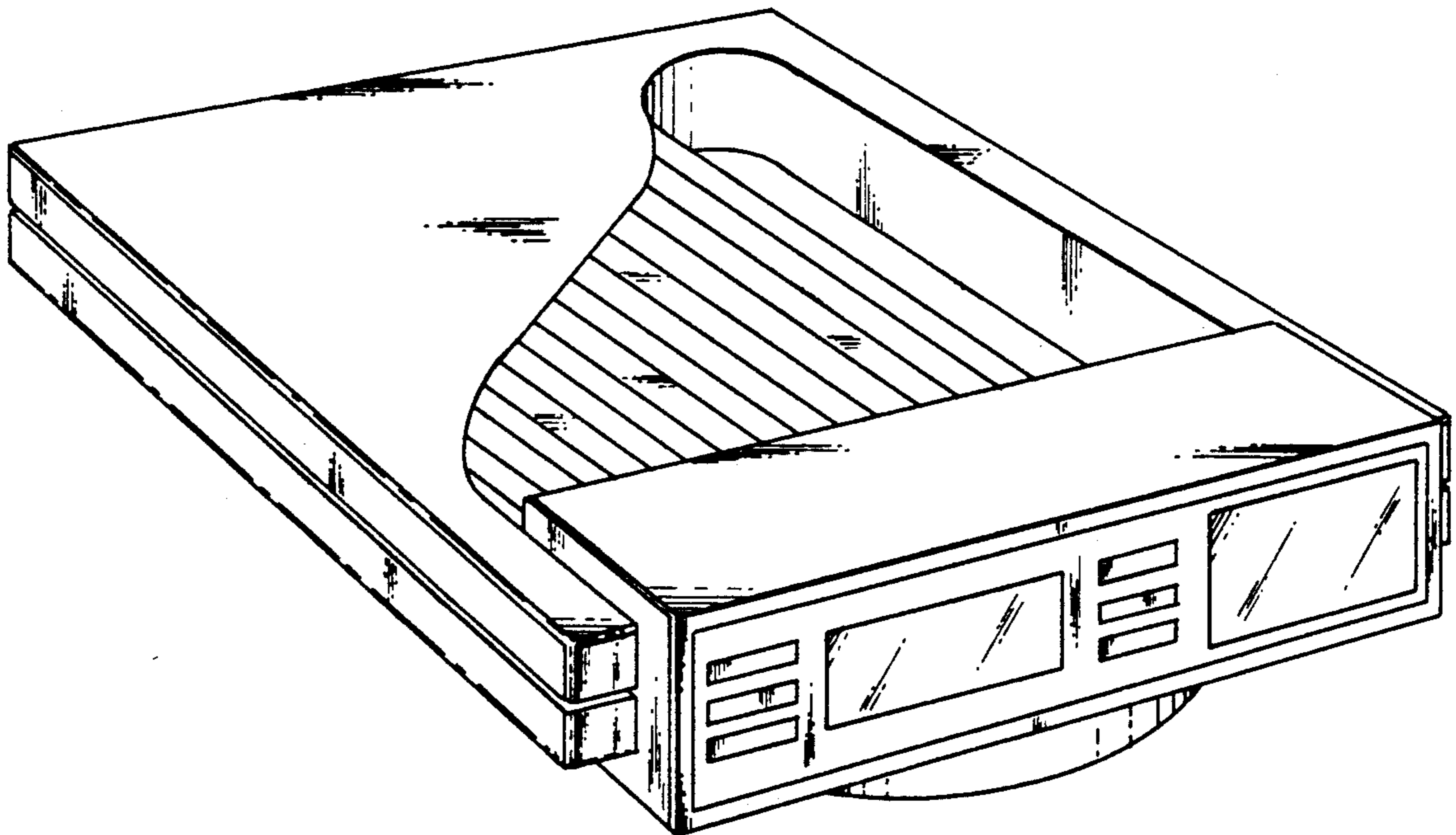


FIG. 1

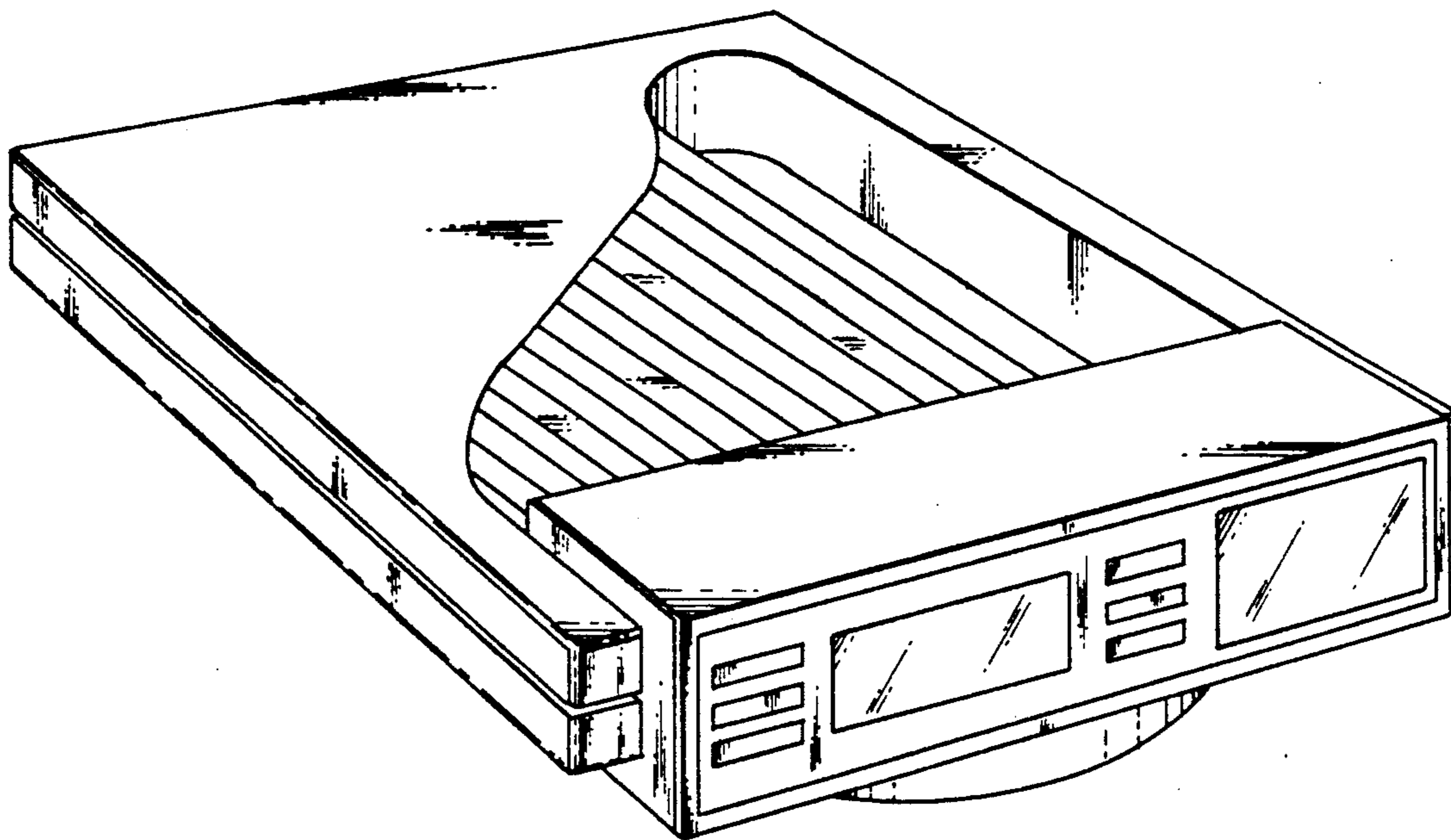


FIG. 2

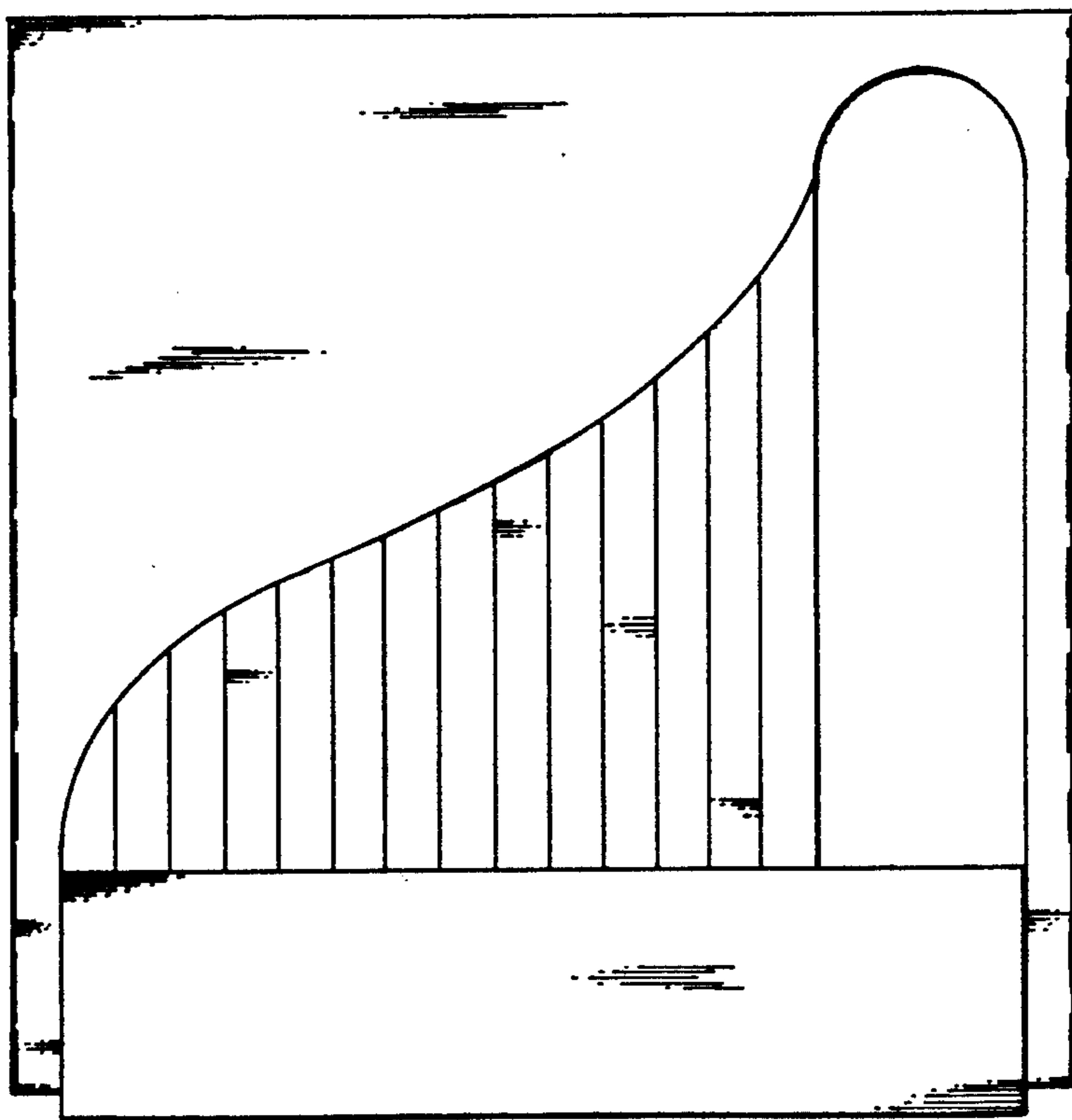


FIG. 3

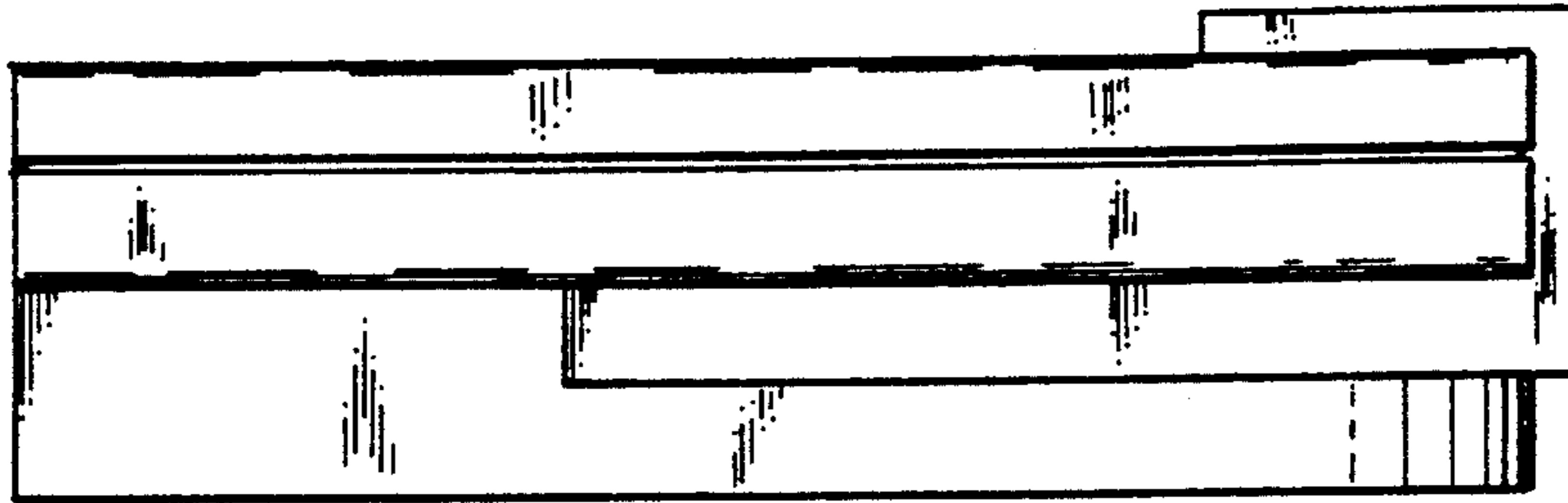


FIG. 4

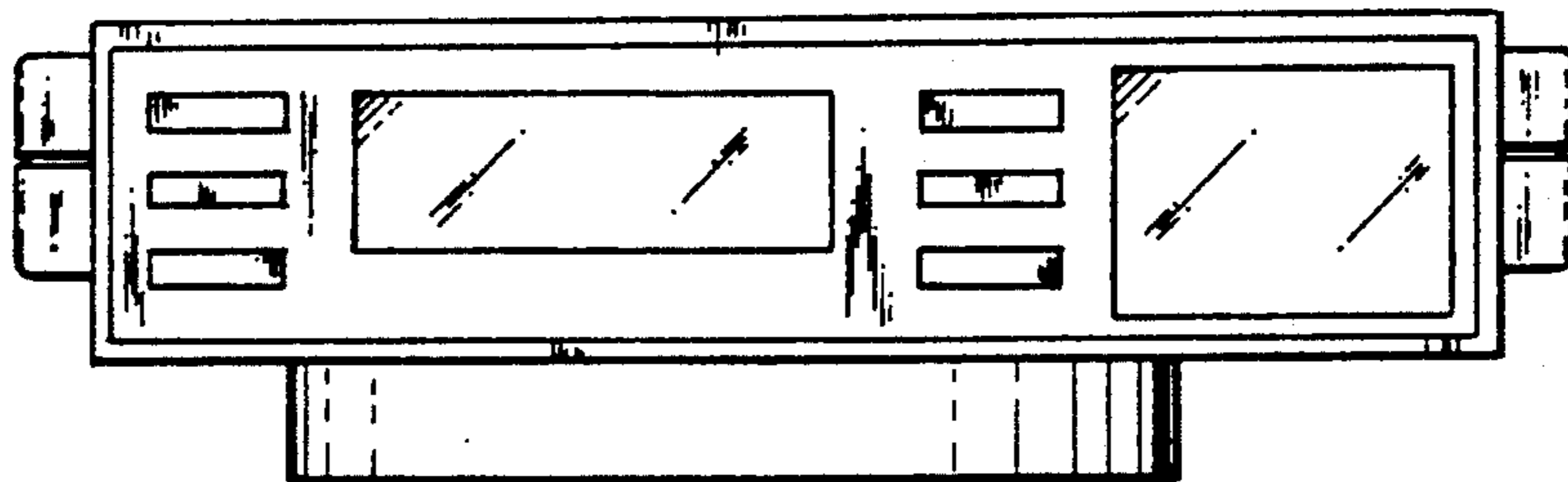
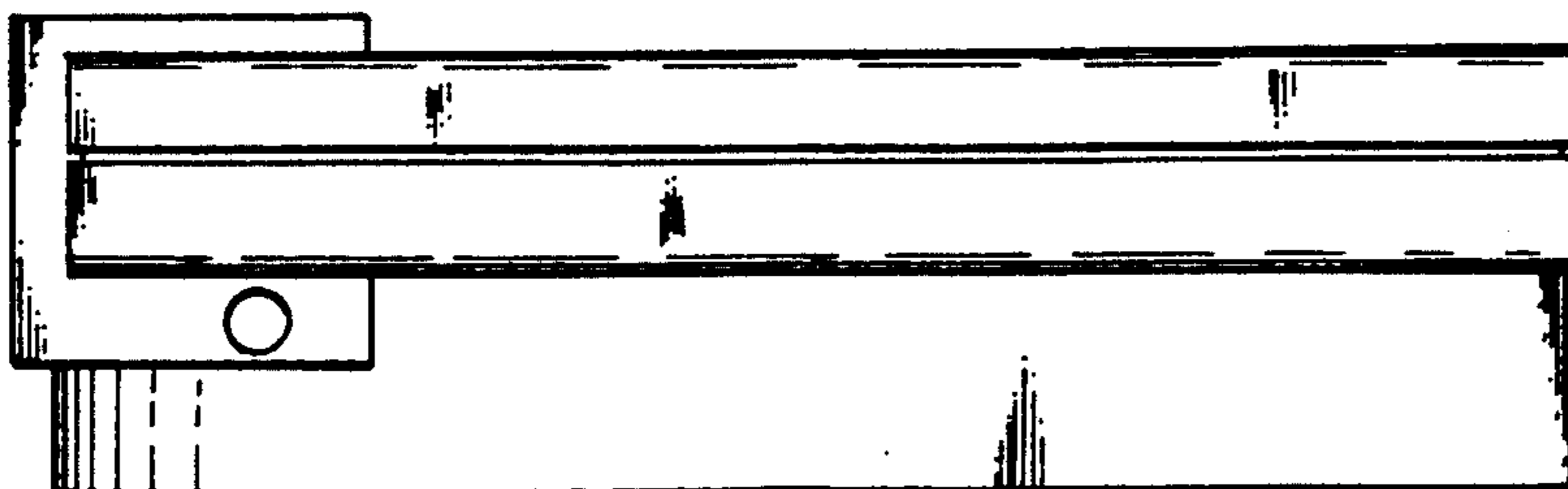


FIG. 5



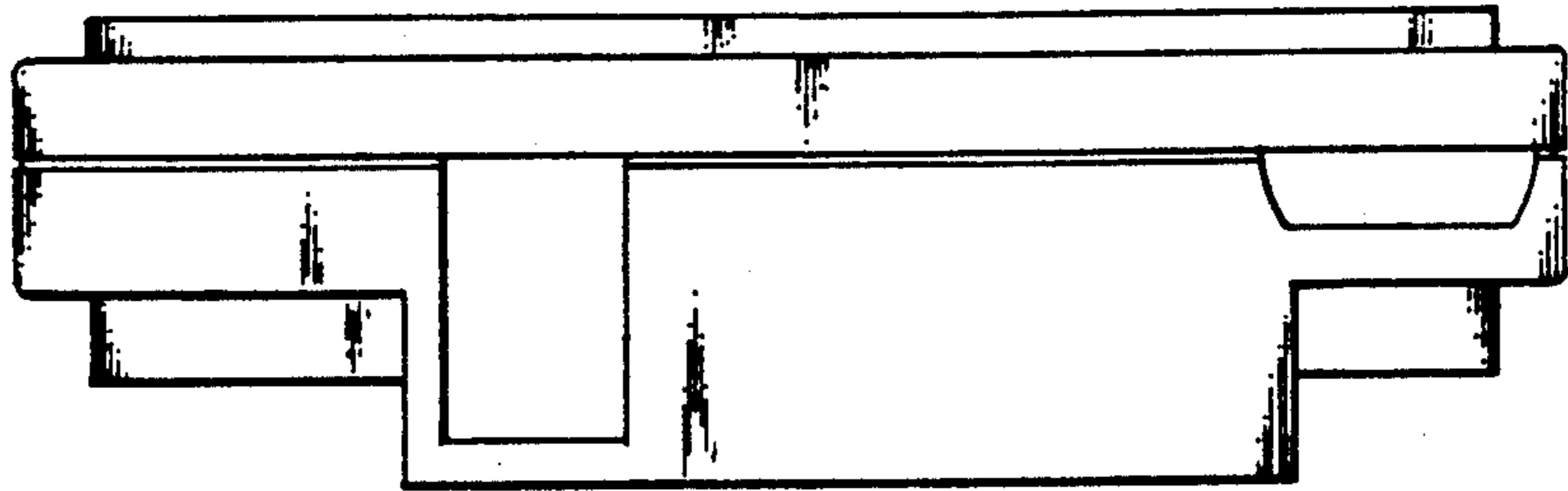


FIG. 6

FIG. 7

