

[54] FAUCET PROTECTOR FOR TODDLERS

[76] Inventor: Clarence Mast, Jr., Box 278A, R.D. #3, Tunkhannock, Pa. 18657

[**] Term: 14 Years

[21] Appl. No.: 104,482

[22] Filed: Oct. 5, 1987

[52] U.S. Cl. D23/249

[58] Field of Search D23/249, 240, 256; 4/191, 192, 661, 654, 657; 137/377, 381, 375

[56] References Cited

U.S. PATENT DOCUMENTS

D. 224,486	8/1972	Miller	D23/249
D. 225,976	1/1973	Lins	D23/240
D. 282,563	2/1986	Beene	D23/256
D. 290,990	7/1987	Izzi	D23/249

3,199,121	8/1965	Greto	4/191
3,410,303	11/1968	Johnson, Jr.	137/381

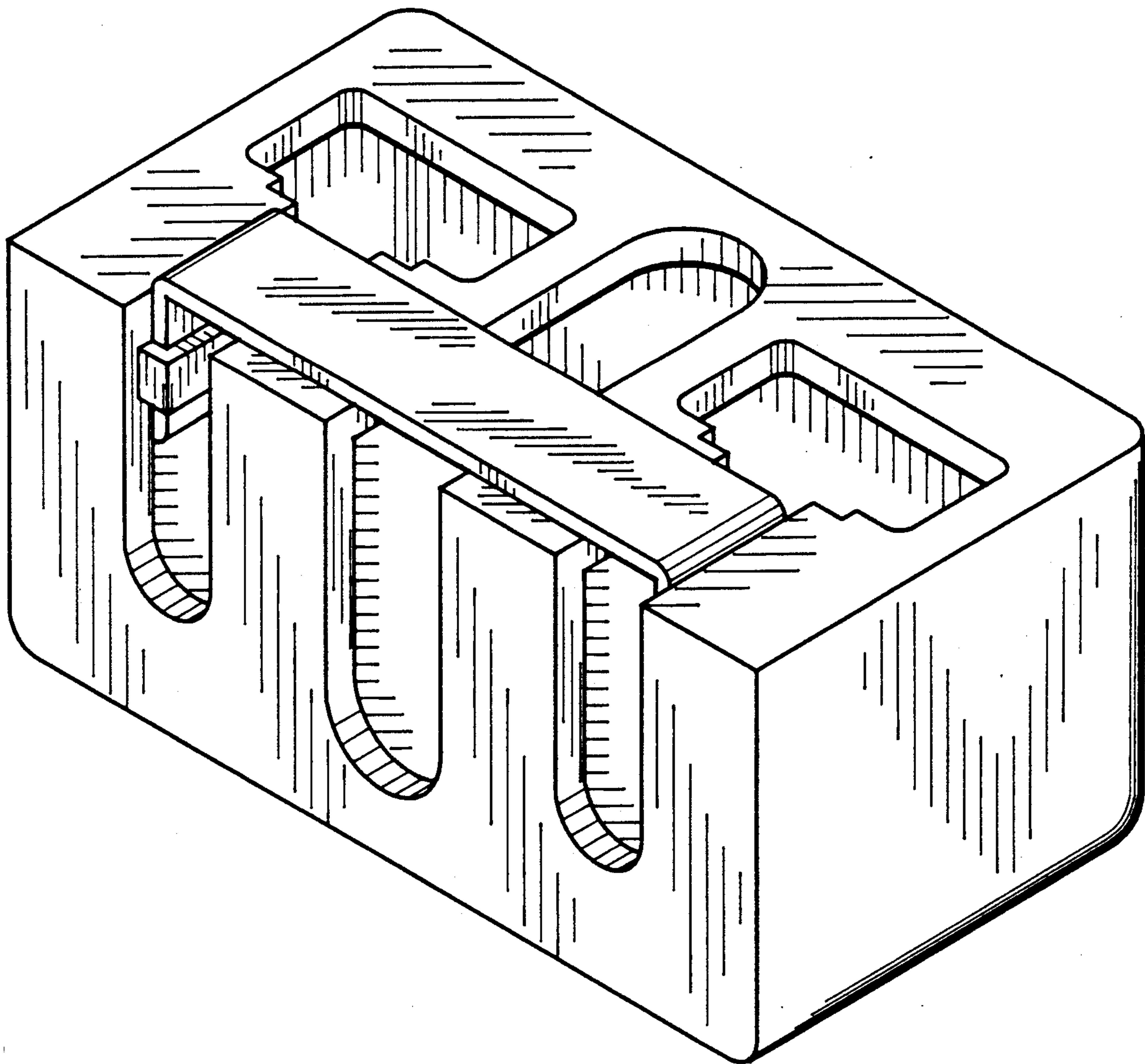
Primary Examiner—Stella Reid
Attorney, Agent, or Firm—Jerry T. Kearns

[57] CLAIM

The ornamental design for a faucet protector for toddlers, as shown and described.

DESCRIPTION

FIG. 1 is a front elevational view of a faucet protector for toddlers showing my new design; FIG. 2 is a rear elevational view thereof; FIG. 3 is a left side elevational view thereof; FIG. 4 is a right side elevational view thereof; FIG. 5 is a top plan view thereof; FIG. 6 is a bottom plan view thereof; and, FIG. 7 is a perspective view thereof.



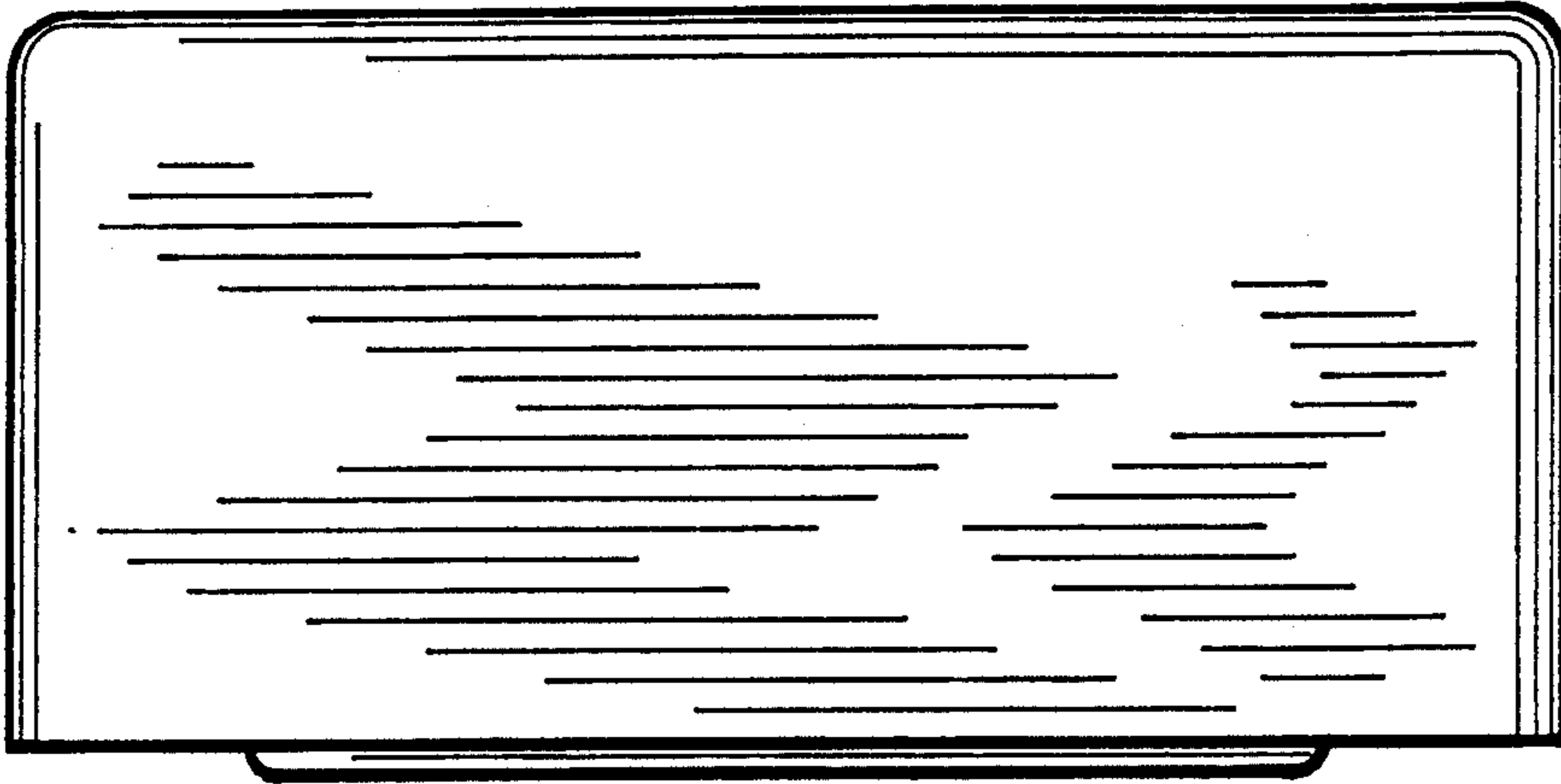


Fig. 1

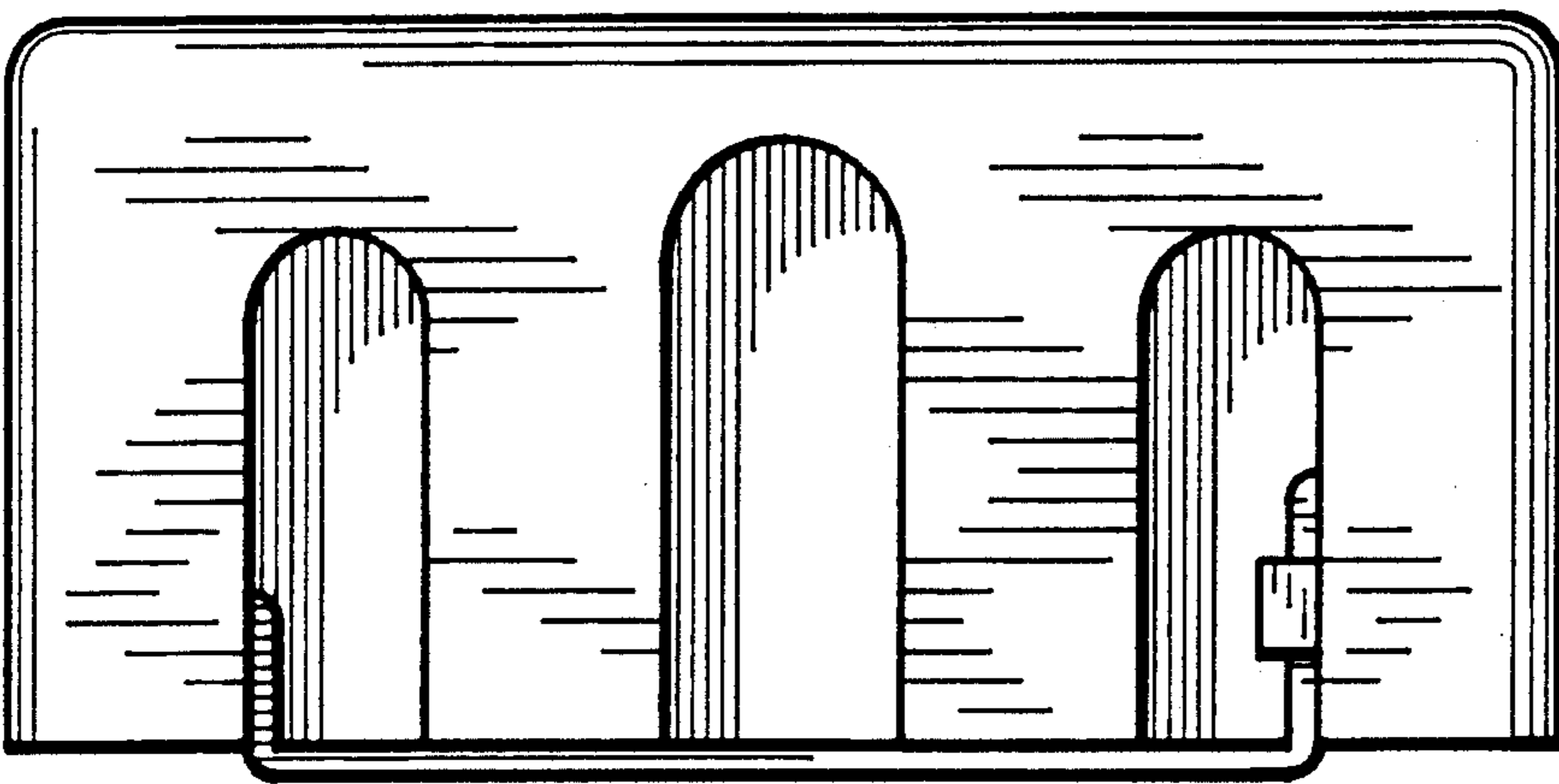


Fig. 2

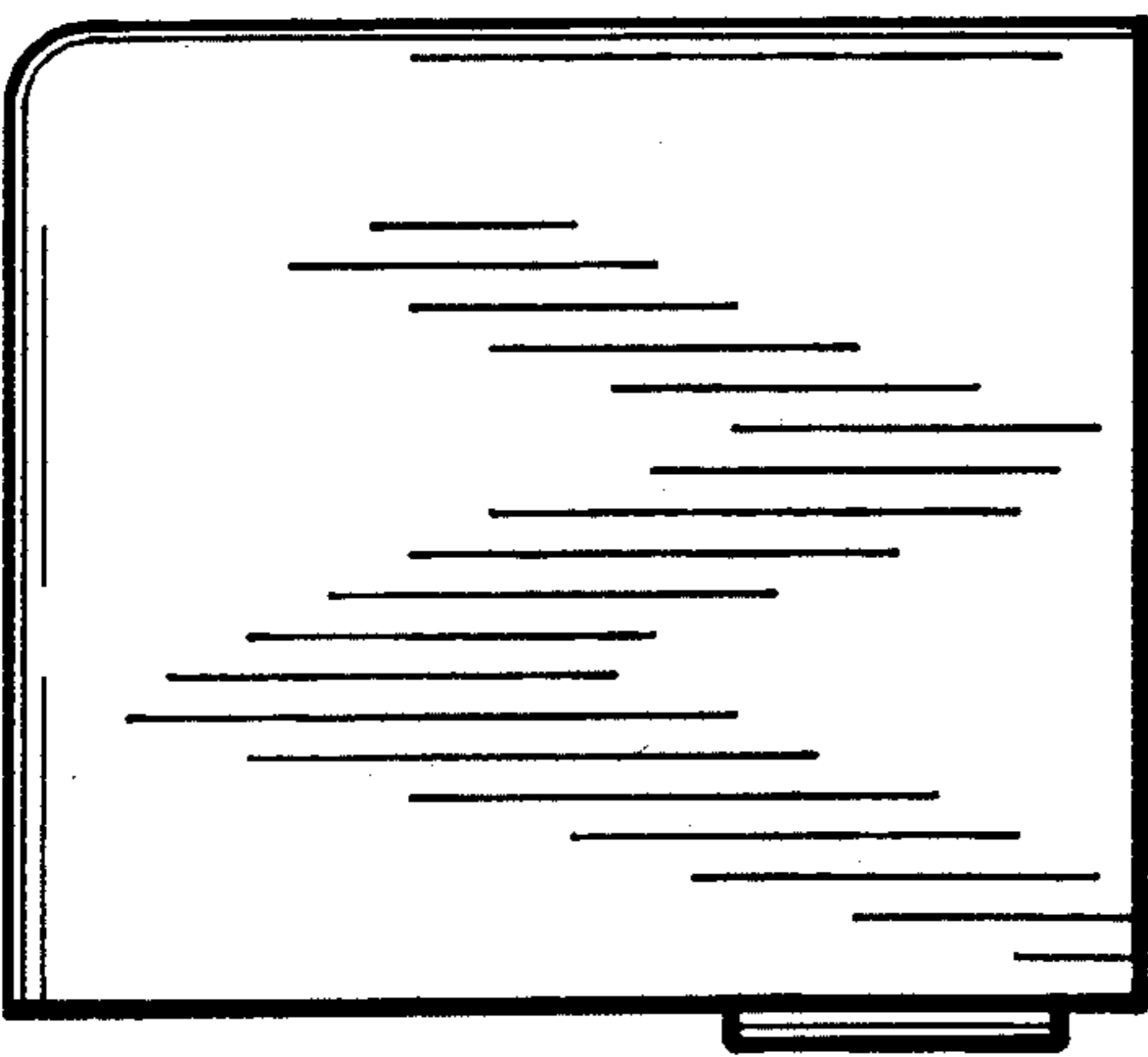


Fig. 3

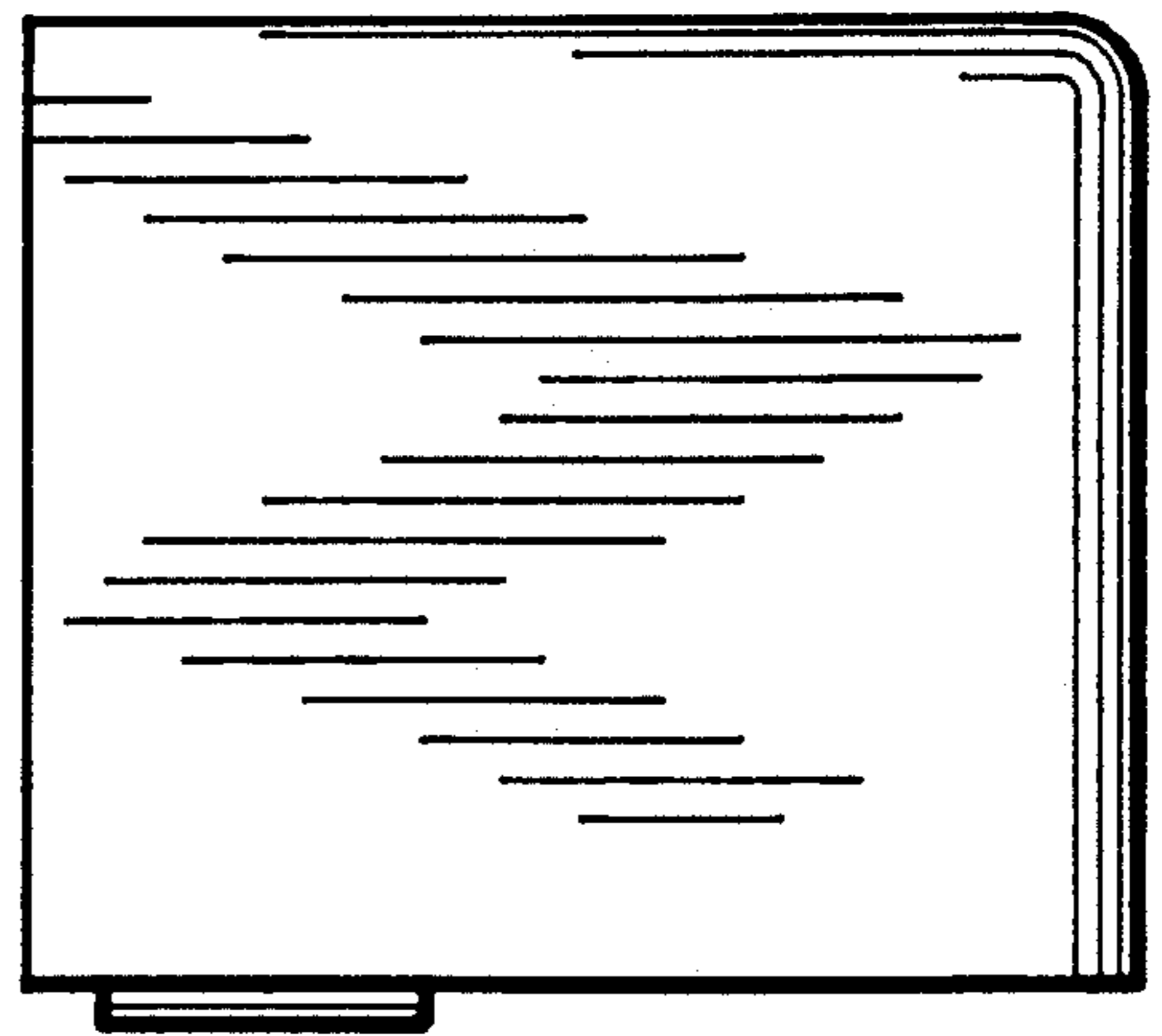


Fig. 4

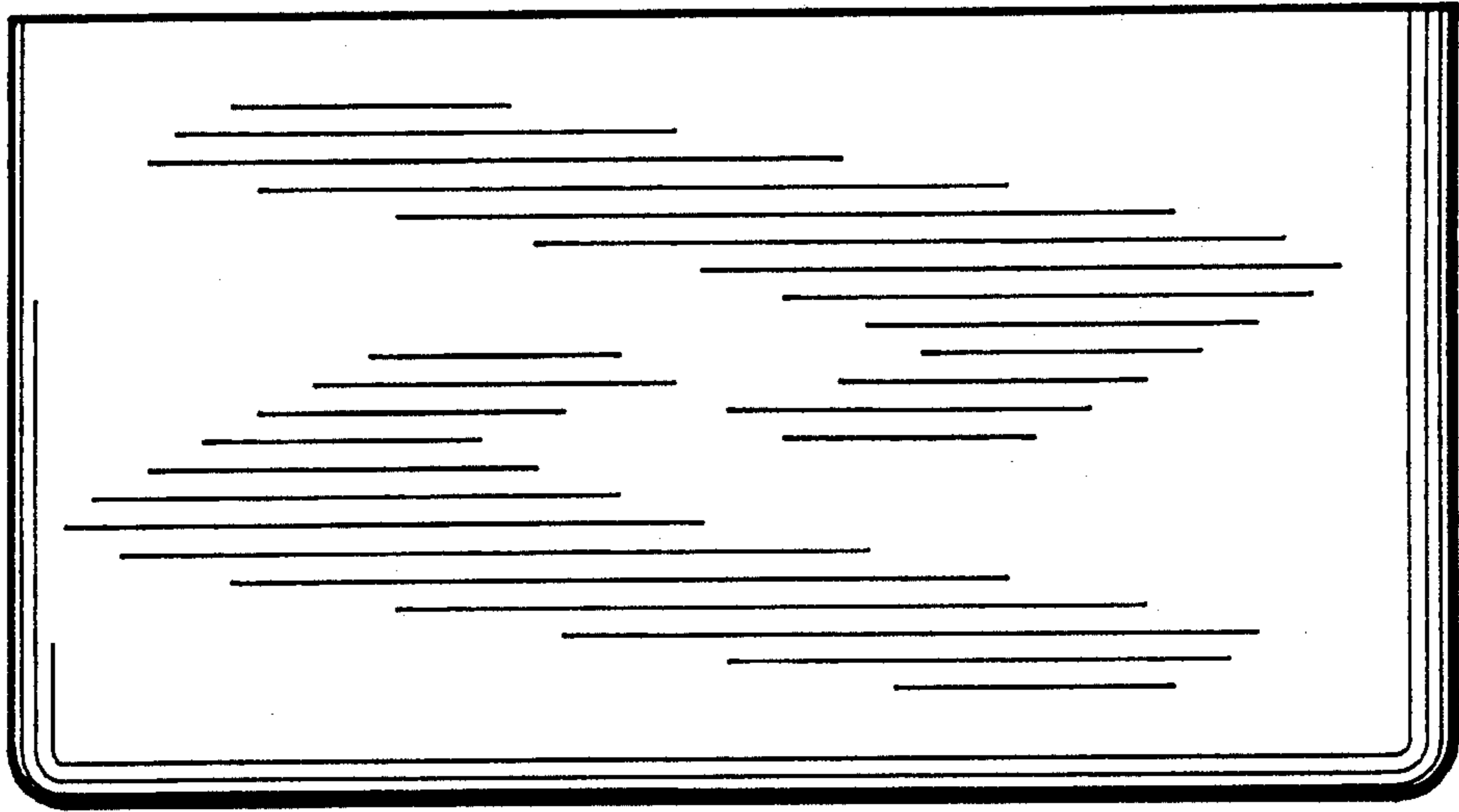


Fig. 5

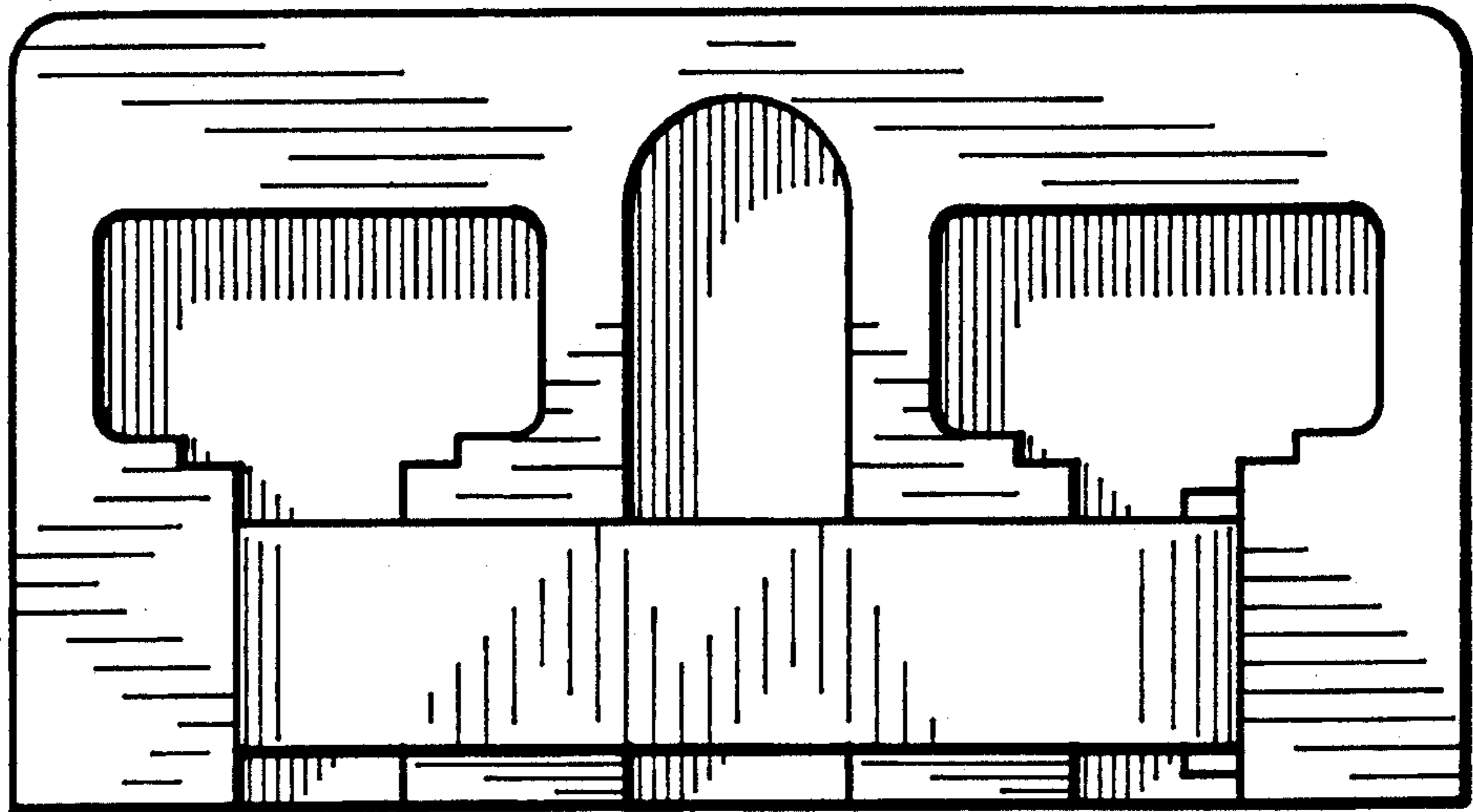


Fig. 6

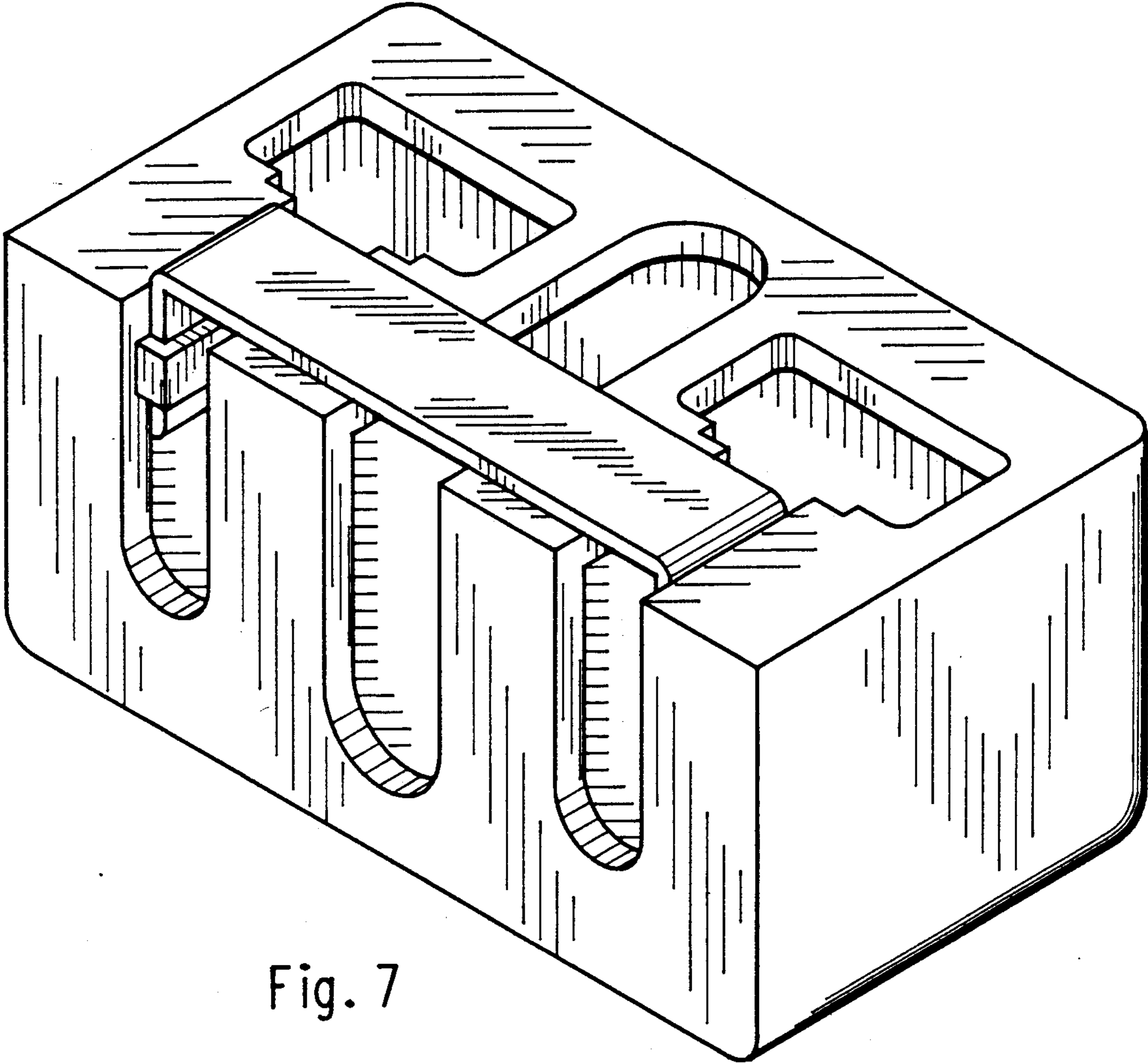


Fig. 7