

[54] FAUCET

[75] Inventors: Herbert V. Kohler, Jr., Kohler; Mary J. Reid, Sheboygan; Bruce M. Sauter, Kohler; Alan D. Bengtson, Sheboygan, all of Wis.

[73] Assignee: Kohler Co., Kohler, Wis.

[**] Term: 14 Years

[21] Appl. No.: 144,441

[22] Filed: Jan. 12, 1988

[52] U.S. Cl. D23/241

[58] Field of Search D23/238-243, D23/250-257; D8/300, 307-312; 4/191, 192; 137/801

OTHER PUBLICATIONS

Pages 3-13, 3-24, 3-29, 3-38 from a 1987 Kohler Co. Plumbing Products Catalog.

Page 26 of a Harden Brochure Showing the "57 Series" Fittings, undated.

A Page from a Kallista Brochure Showing the "Jet-stream" Tee Head, undated.

Pages 3-2 and 3-3 of the 1987 Kohler Co. Plumbing Products Catalog.

Domestic Engineering, Jun. 82, p. 34, "U.S. Brass" Advertisement.

Primary Examiner—James R. Largen

Attorney, Agent, or Firm—Quarles & Brady

[57] CLAIM

The ornamental design for a faucet, as shown and described.

DESCRIPTION

FIG. 1 is a perspective view taken from the top, front and left side of a spout showing our new design;

FIG. 2 is a front elevational view thereof;

FIG. 3 is a rear elevational view thereof;

FIG. 4 is a right side elevational view thereof, the left side being a mirror image of the right side shown;

FIG. 5 is a top plan view thereof; and

FIG. 6 is a bottom plan view thereof.

[56] References Cited

U.S. PATENT DOCUMENTS

D. 187,846	5/1960	Brown	D23/241
D. 237,615	11/1975	Saporito et al.	D23/241
D. 258,981	4/1981	Saporito et al.	D23/241
D. 280,231	8/1985	Niemann	D23/241
D. 284,499	7/1986	Yost	D23/241
D. 288,836	3/1987	Yost	D23/241
D. 299,518	1/1989	Yost	D23/241

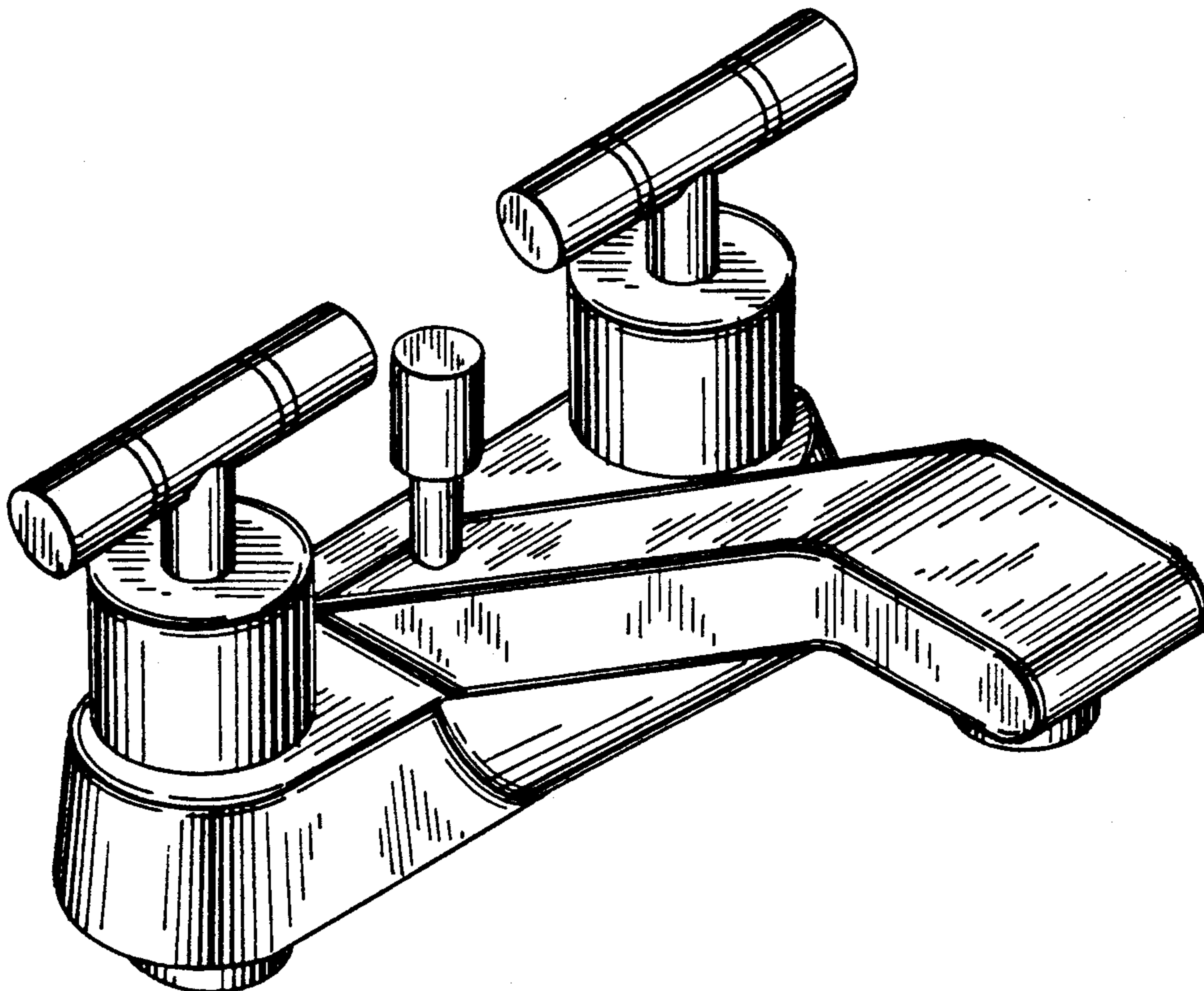


FIG. 1

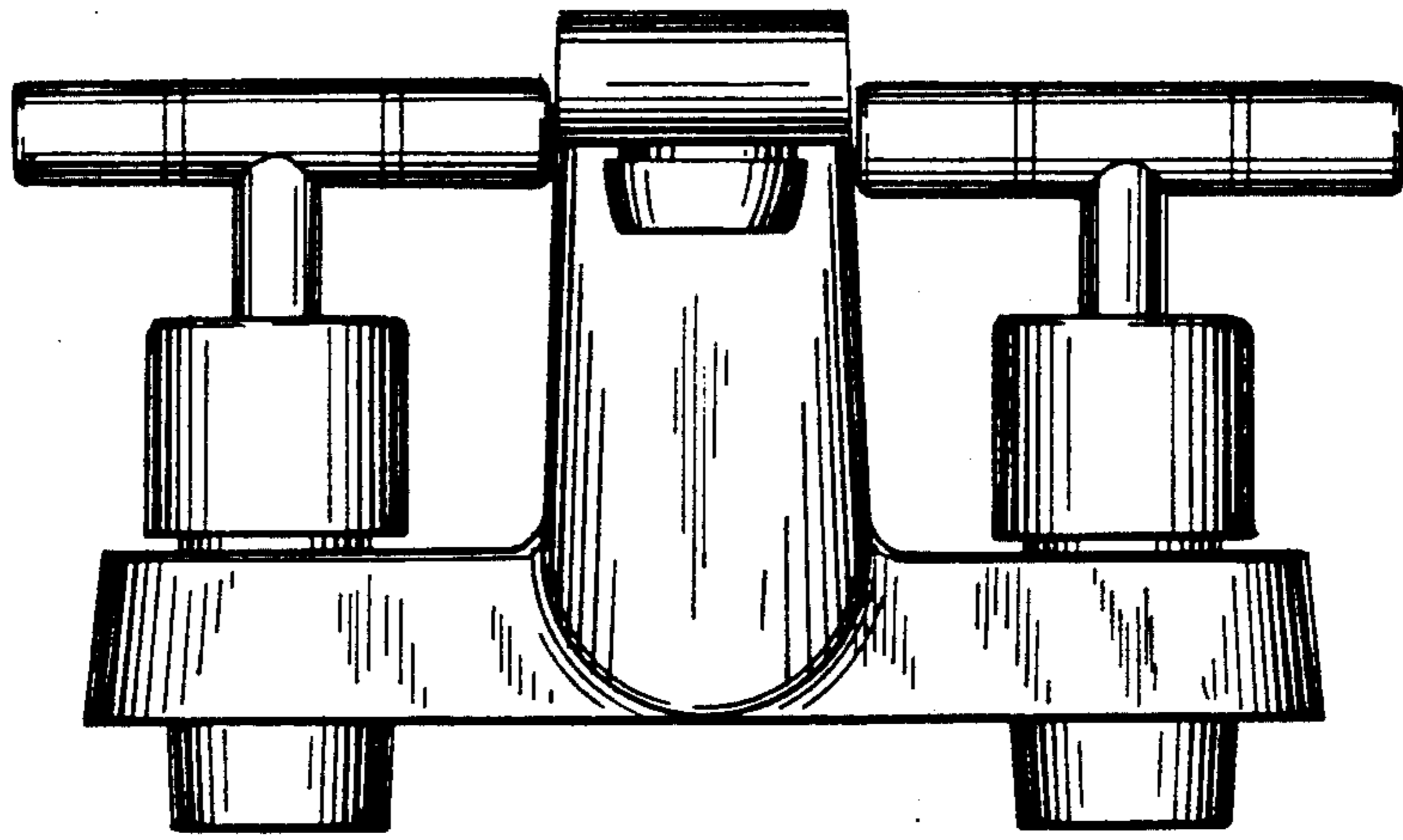
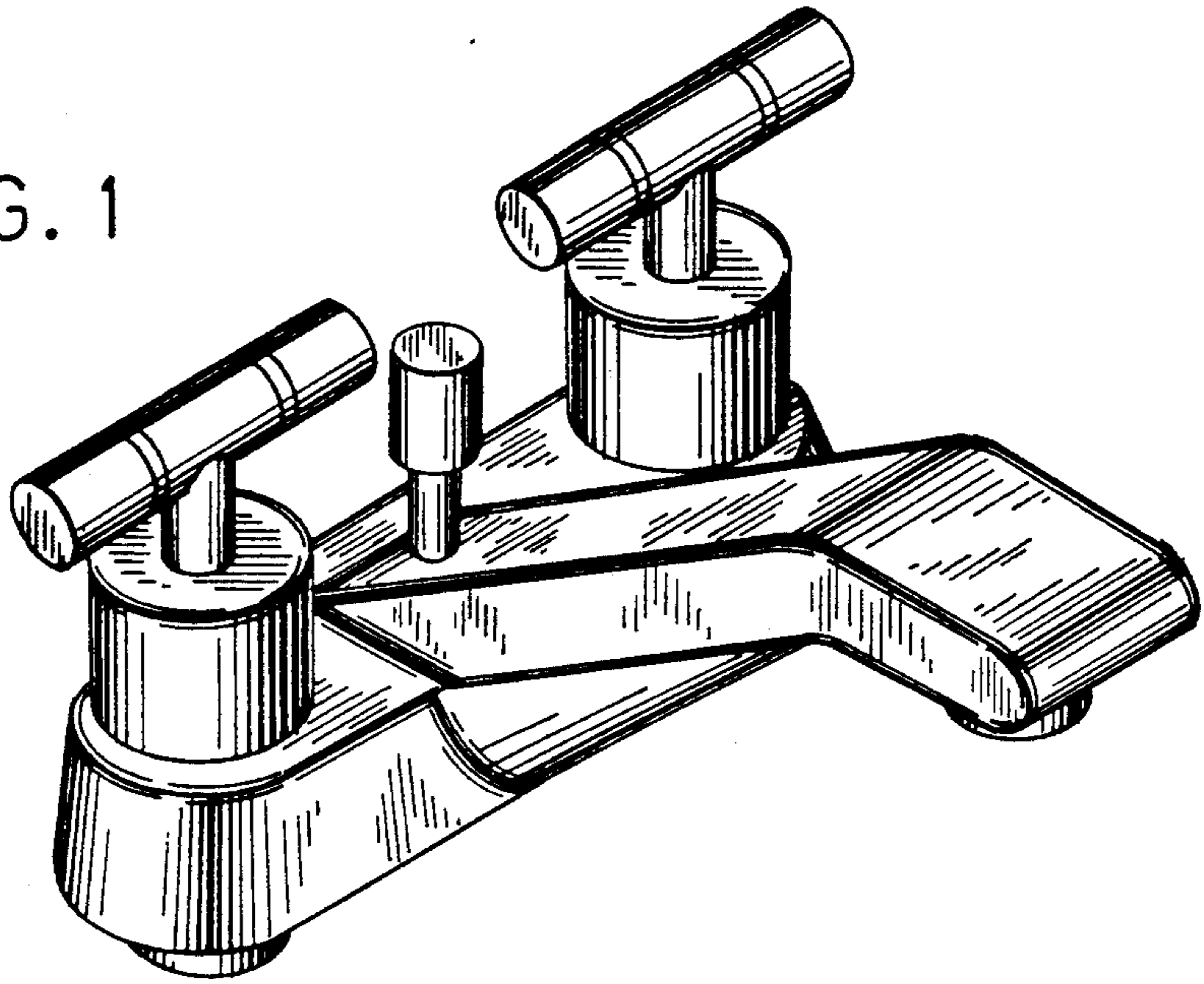


FIG. 2

FIG. 3

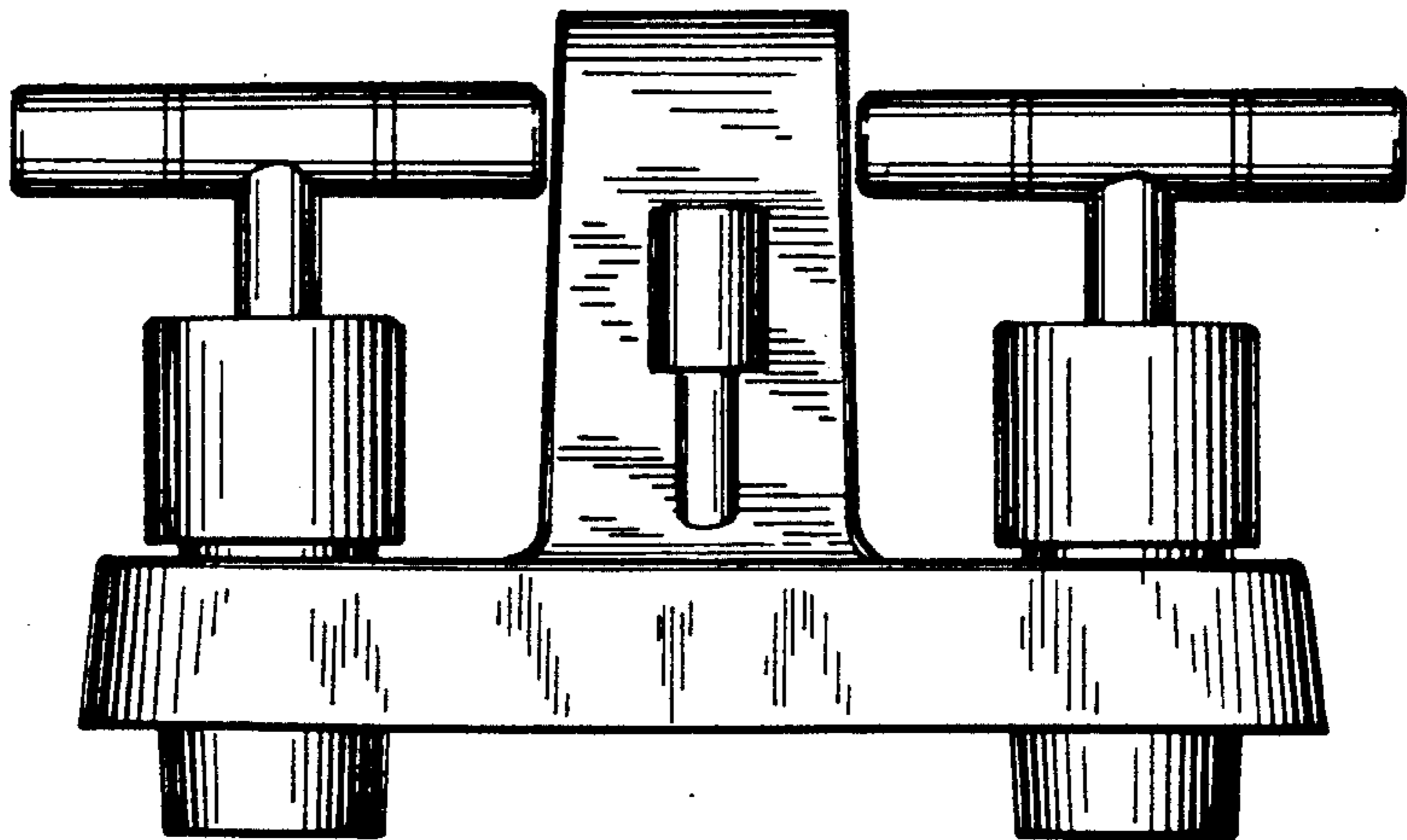


FIG. 4

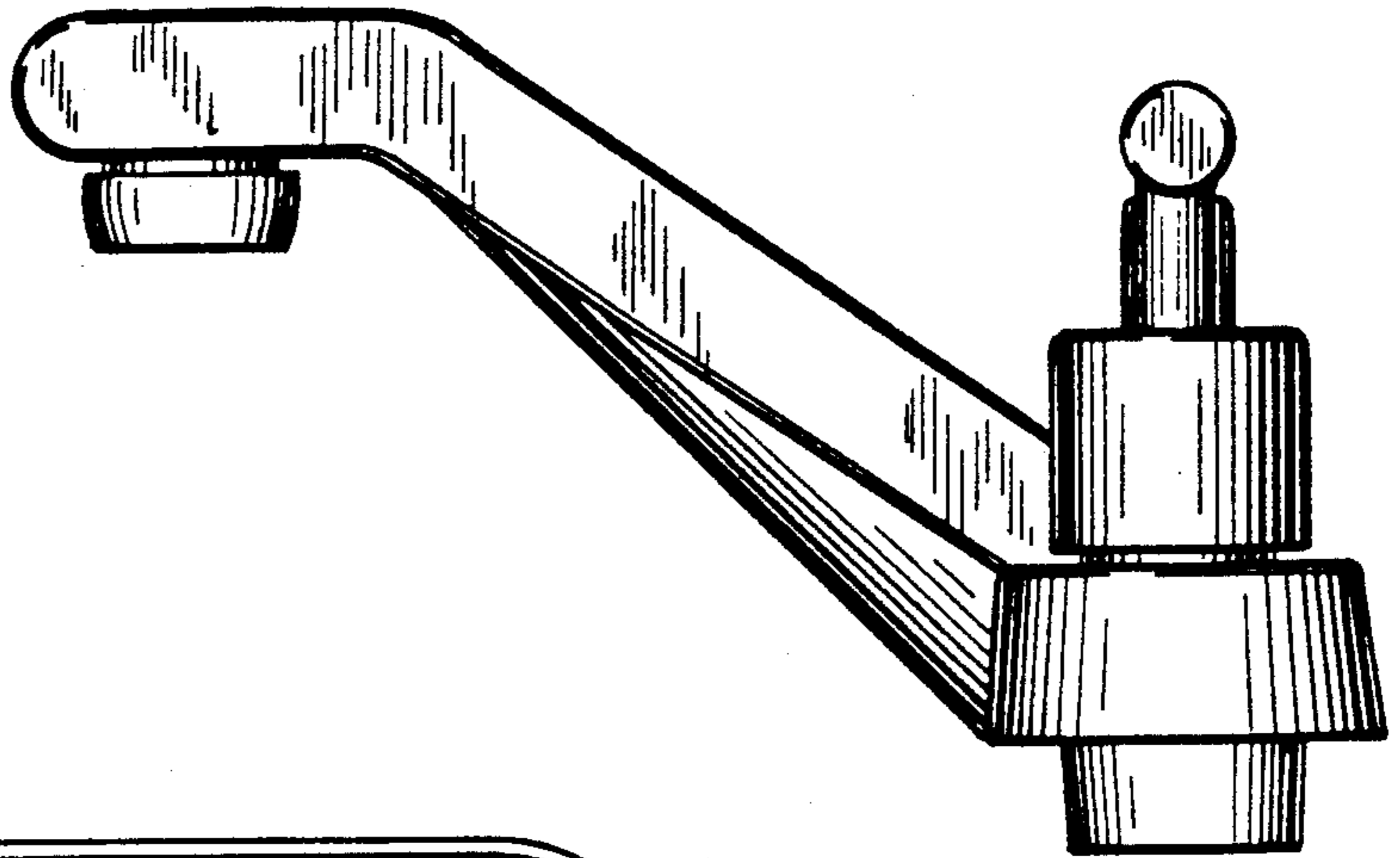


FIG. 5

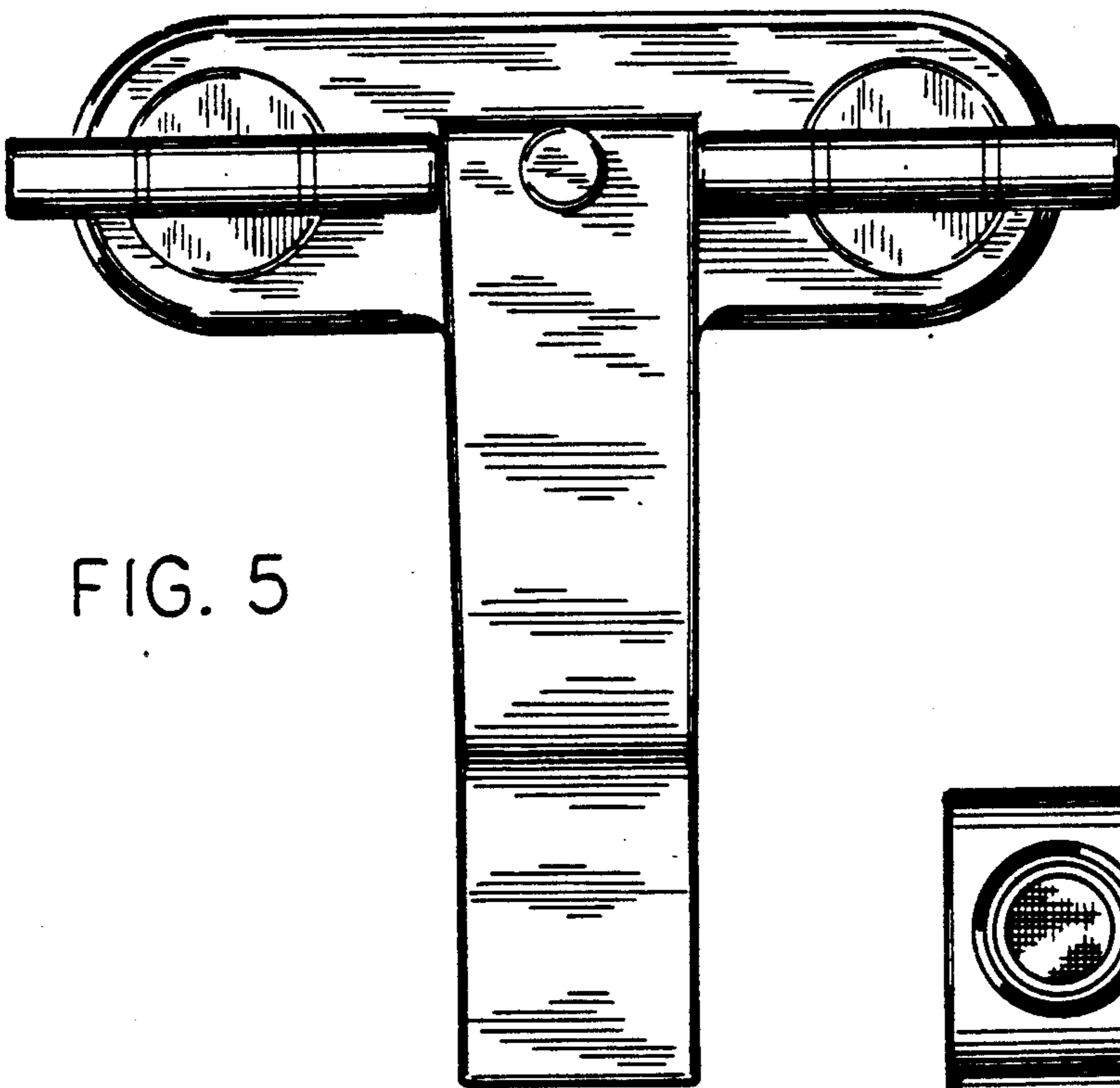


FIG. 6

