

United States Patent [19]

Kohler, Jr. et al.

[11] Patent Number: **Des. 317,495**

[45] Date of Patent: **** Jun. 11, 1991**

[54] FAUCET

[75] Inventors: **Herbert V. Kohler, Jr., Kohler; Mary J. Reid, Sheboygan; Bruce M. Sauter, Kohler; Alan D. Bengtson, Sheboygan, all of Wis.**

[73] Assignee: **Kohler Co., Kohler, Wis.**

[**] Term: **14 Years**

[21] Appl. No.: **144,440**

[22] Filed: **Jan. 12, 1988**

[52] U.S. Cl. **D23/241**

[58] Field of Search **D23/238-243, D23/250-257; D8/300, 307-312; 4/191, 192; 137/801**

[56] **References Cited**

U.S. PATENT DOCUMENTS

D. 187,846	5/1960	Brown	D23/241
D. 237,615	11/1975	Saporito	D23/241
D. 258,981	4/1981	Saporito et al.	D23/241
D. 280,231	8/1985	Niemann	D23/241
D. 284,499	7/1986	Yost	D23/241
D. 288,836	3/1987	Yost	D23/241

D. 299,518 1/1989 Yost D23/241

OTHER PUBLICATIONS

Domestic Engineering, Jun. 82, p. 34, "U.S. Brass" Advertisement.

A Kallista Ad Showing the "Jetstream" Standard Tee Head, undated.

Page 26 of a Harden Catalog Showing the "57 Series" Fittings, undated.

Primary Examiner—James R. Largen

Attorney, Agent, or Firm—Quarles & Brady

[57] **CLAIM**

The ornamental design for a faucet, as shown and described.

DESCRIPTION

FIG. 1 is a perspective view taken from the top, front and left side of a faucet showing our new design; FIG. 2 is a front elevational view thereof; FIG. 3 is a rear elevational view thereof; FIG. 4 is a right side elevational view thereof, the left side being a mirror image of the right side shown; FIG. 5 is a top plan view thereof; and FIG. 6 is a bottom plan view thereof.

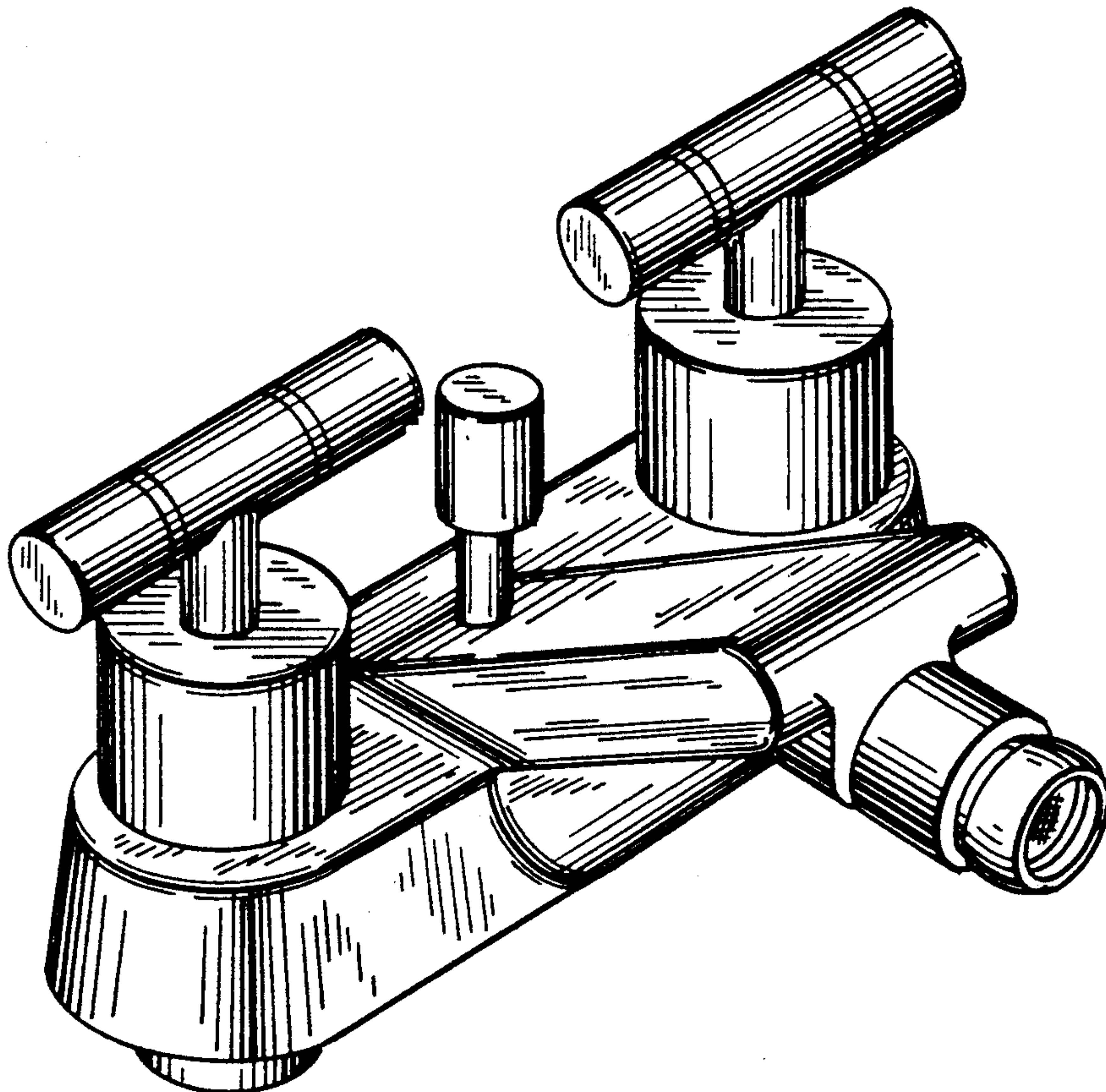


FIG. 1

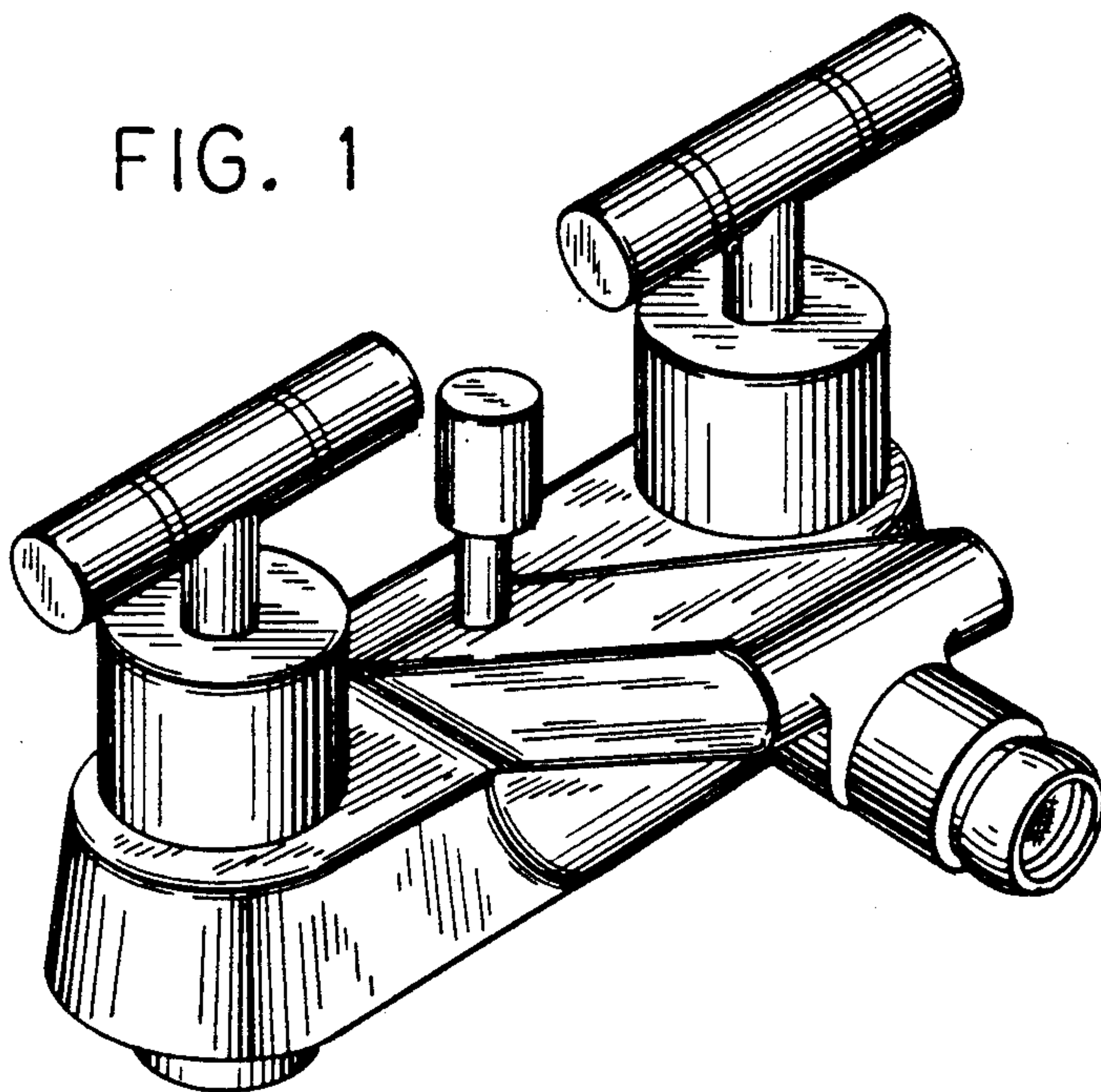


FIG. 2

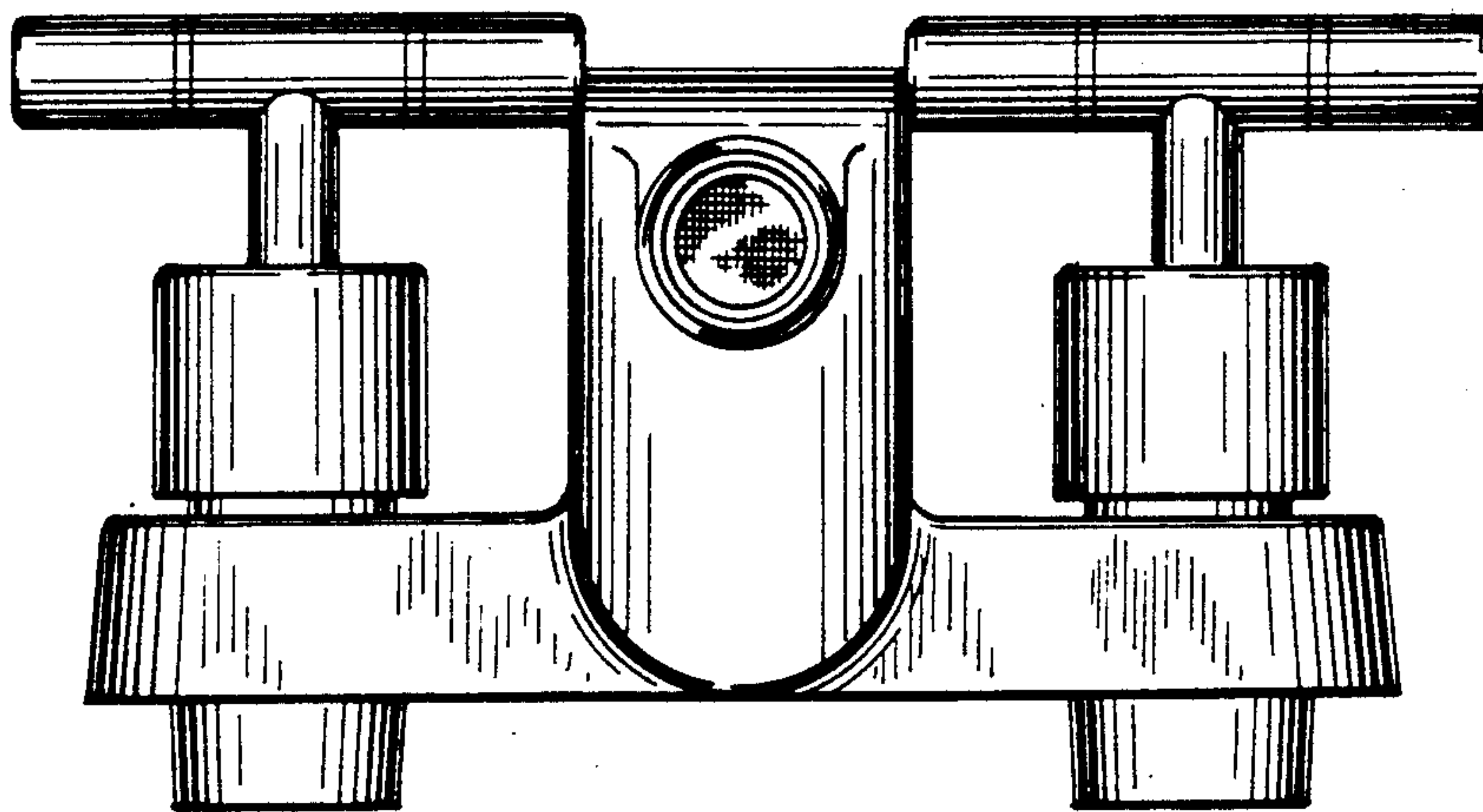


FIG. 3

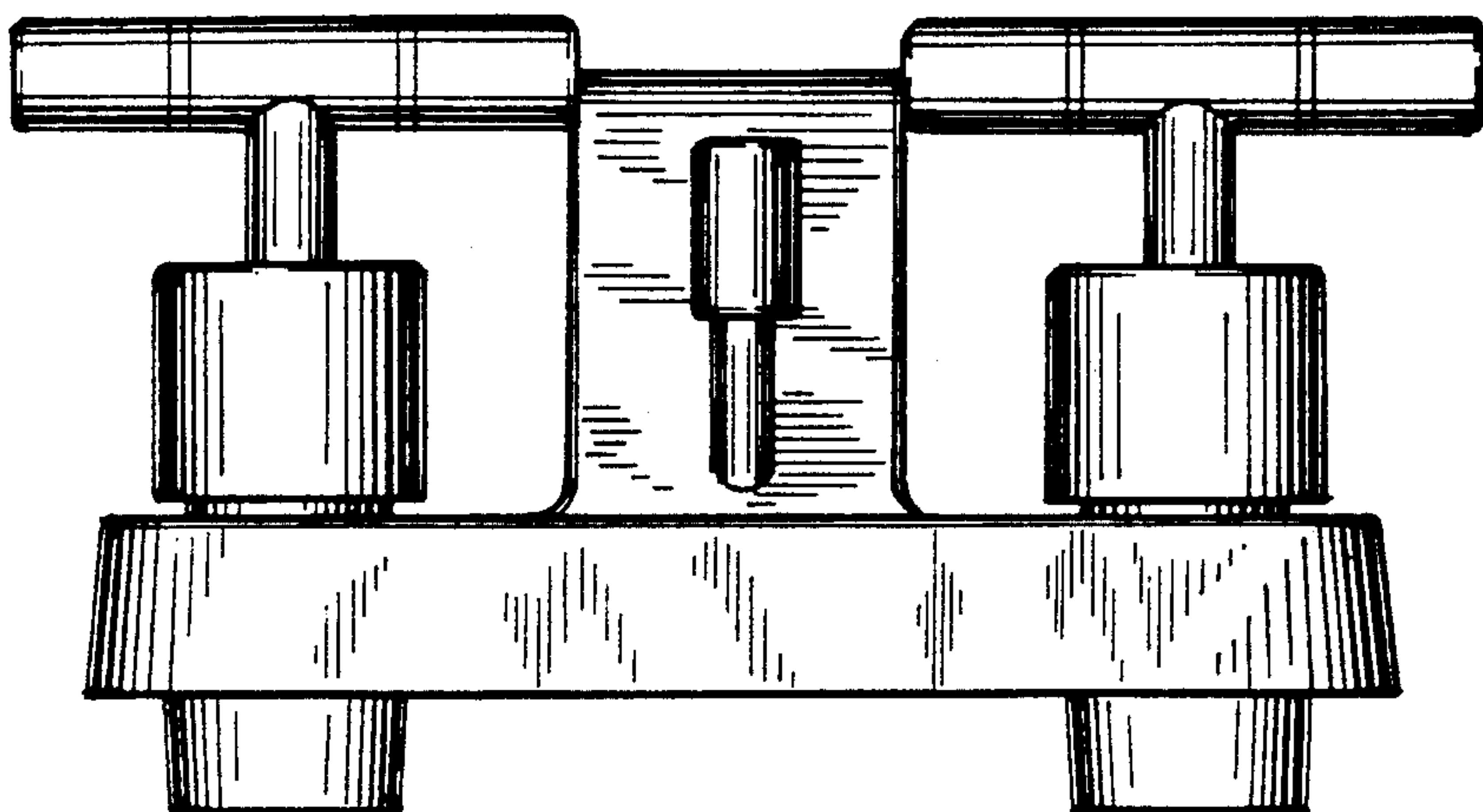


FIG. 4

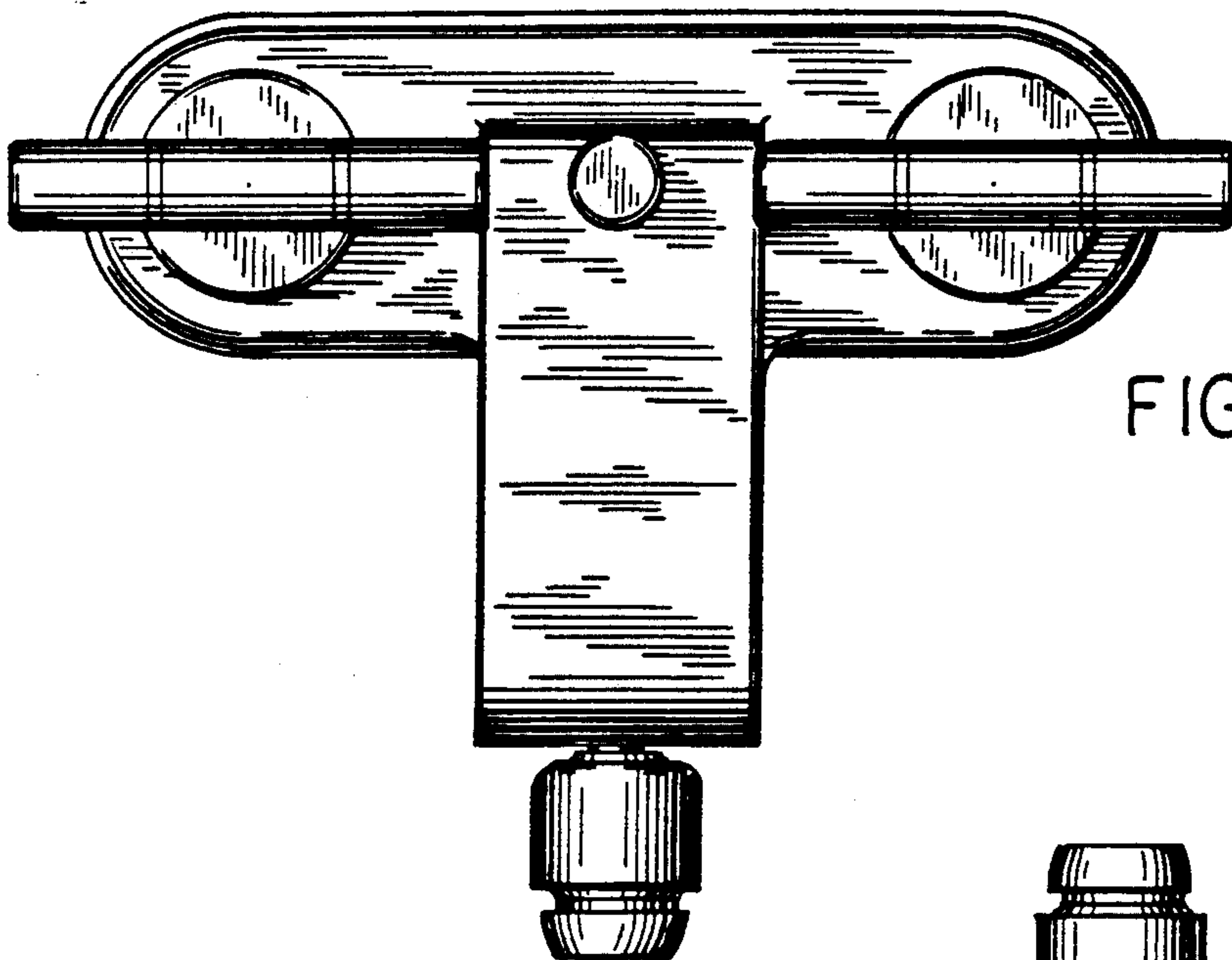
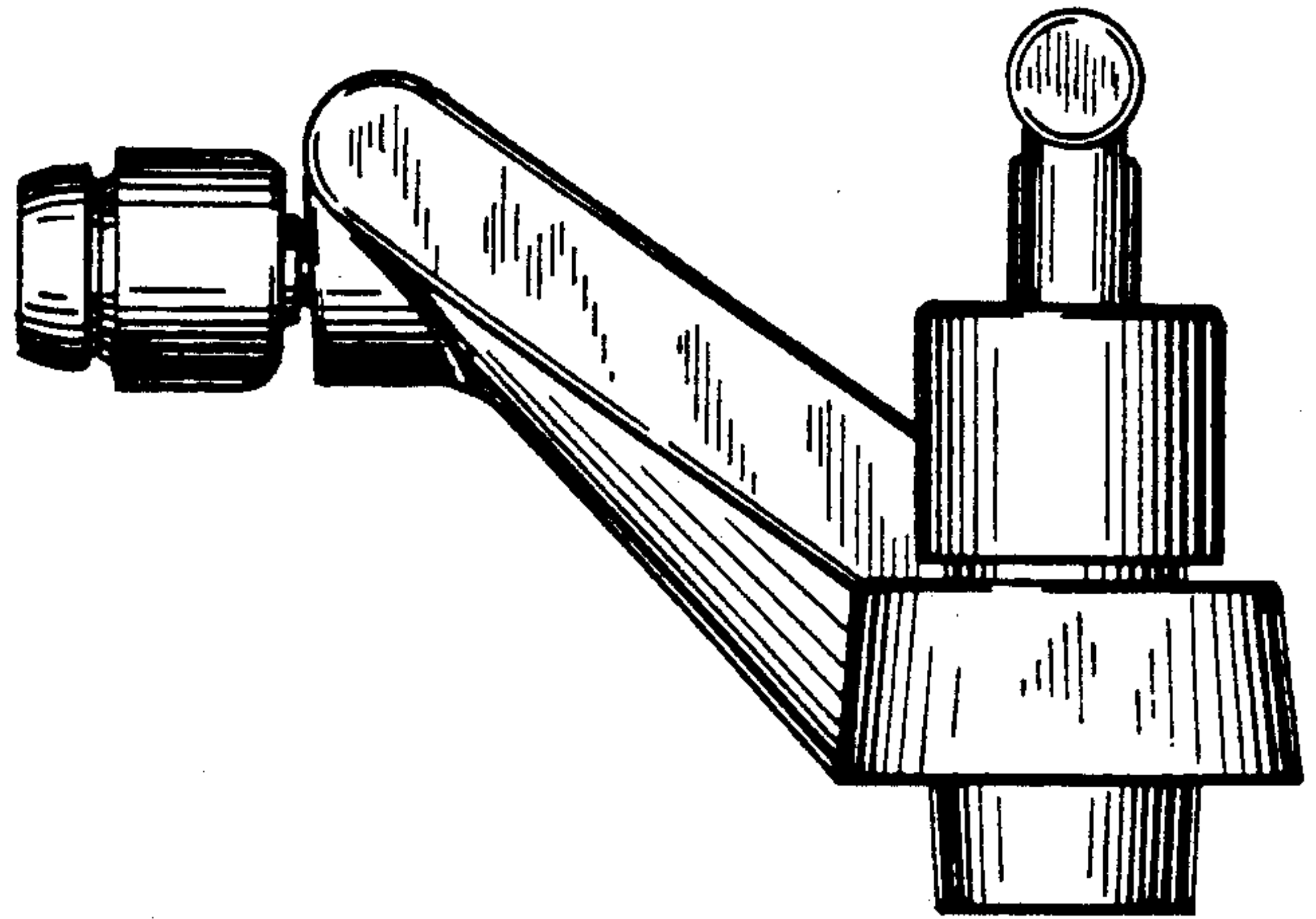


FIG. 5

FIG. 6

